



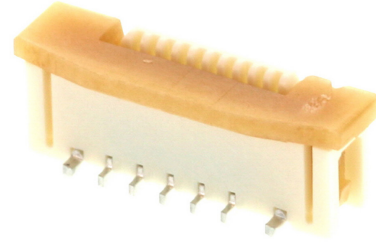
产品编号 : [525591052](#)

Product Description : Easy-On FFC/FPC Connector, 0.50mm Pitch, Slider Series, Vertical, 3.90mm Height, 10 Circuits, Gold Plating

系列号 : 52559

状态 : Active

Product Category : FFC / FPC Connectors



文件和资源

图纸

[图纸 525591052_sd.pdf](#)

3D 模型和设计文件

[2D 图纸 DXF 525591052.dxf](#)

[2D 图纸 DXF PDF 525591052.pdf](#)

[3D模型 525591052_stp.zip](#)

规格

[应用规格 AS-52559-001-001.pdf](#)

[包装规格 SPK-52559-003-001.pdf](#)

[产品规格 PS-52559-013-001.pdf](#)

产物环境合规

合规

GADSL/IMDS	Not Relevant
China RoHS	
EU ELV	Not Relevant
Low-Halogen Status	Not Low-Halogen per IEC 61249-2-21
REACH SVHC	Not Contained per D(2023)3788-DC (14 Jun 2023)
EU RoHS	Compliant per EU 2015/863

多部分产品合规性声明

- Eu RoHS
- REACH SVHC
- Low-Halogen

多部分行业合规性文件

- IPC 1752A Class C
- IPC 1752A Class D
- Molex Product Compliance Declaration
- IEC-62474
- chemSHERPA (xml)

欧盟 RoHS 合格证书

产品详情

常规

状态	活动
类别	FFC / FPC Connectors
系列	52559
说明	Easy-On FFC/FPC Connector, 0.50mm Pitch, Slider Series, Vertical, 3.90mm Height, 10 Circuits, Gold Plating
产品系列	Slider
产品系列	Easy-On FFC FPC Connectors
产品名称	Easy-On
UPC	822348533893

机构

UL	E29179
----	--------

电气

每触点最大电流	0.5A
电压 - 最大	50V

物理

驱动器类型	Slider
回路数 (已载入)	10
接触部位	不适用
耐用性 (插拔次数) - 最多次数	20
阻燃性	94V-0
插配长度	3.90mm
材料 - 金属	Phosphor Bronze

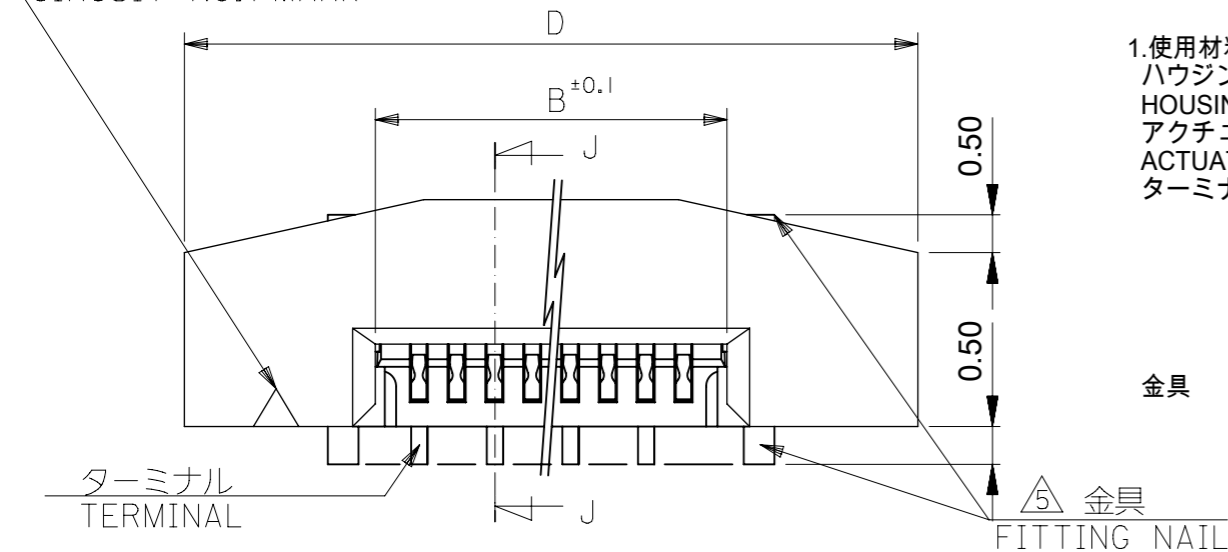
材料 - 接合部位电镀	金牌
材料 - 终端电镀	Tin
材料 - 树脂	Nylon
净重	172.892/mg
方向	垂直
包装形式	Embossed Tape on Reel
PCB 定位器	否
PCB安装	Surface Mount
PCB 保持力	是
间距 - 插配接口	0.50mm
PCB 极性	否
可堆叠的	否
运行温度范围	-40° to +85° C
导线/电缆型号	FFC/FPC

可配插/可连接使用的产品

可配插部件

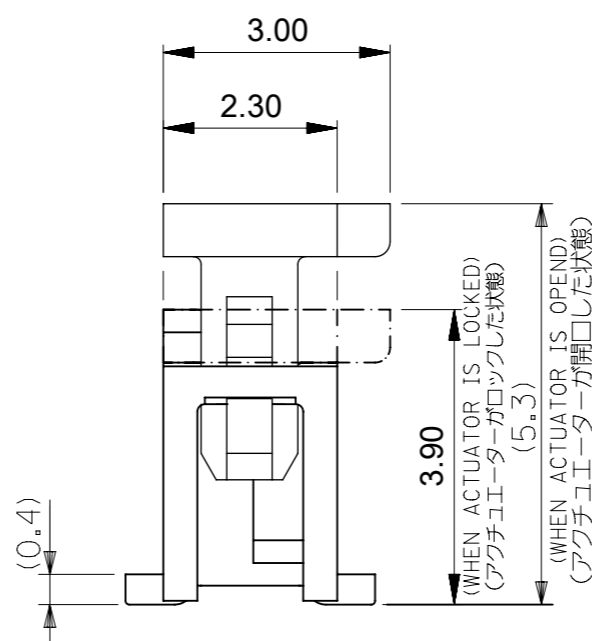
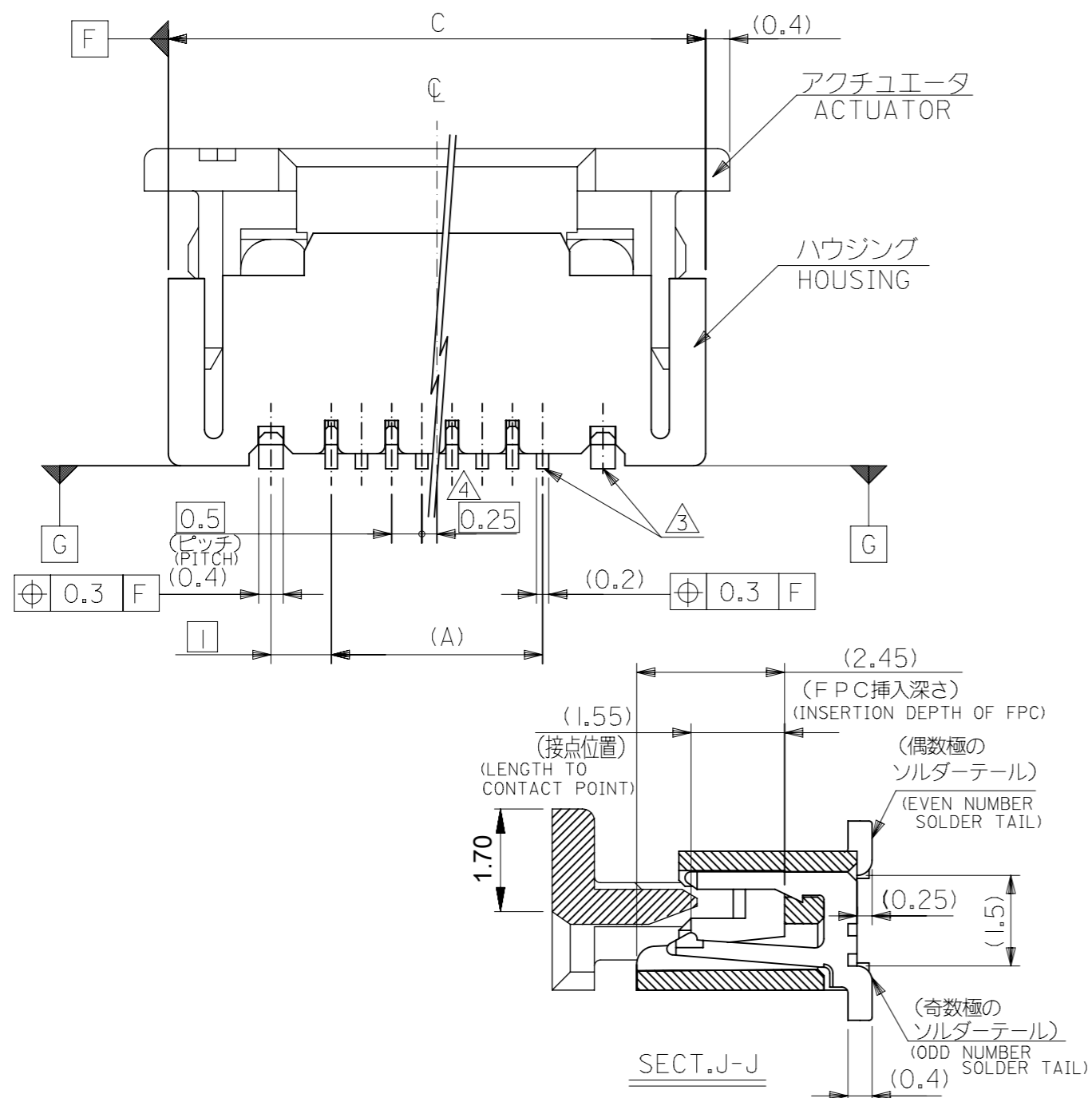
描述	产品编号
0.50mm Pitch Premo-Flex FFC Jumpers	<u>15020</u>
0.50mm Pitch Premo-Flex FFC Jumpers	<u>15120</u>

回路番号1用マーク
CIRCUIT NO.1 MARK



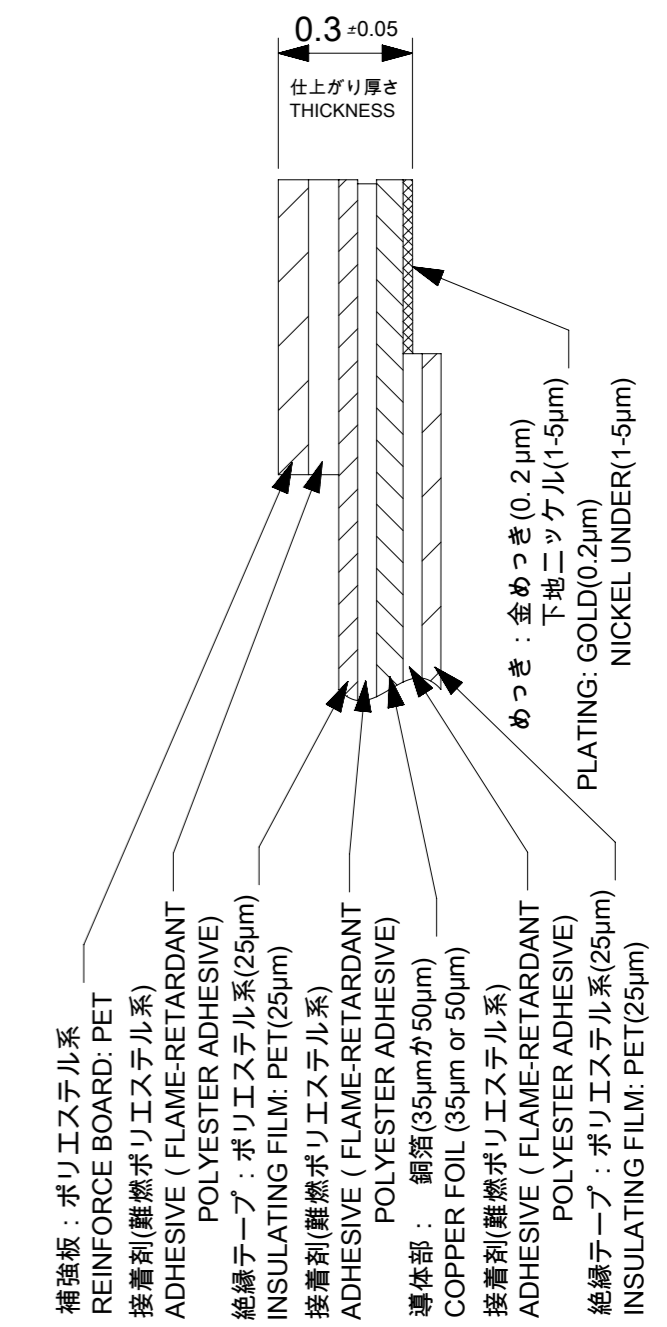
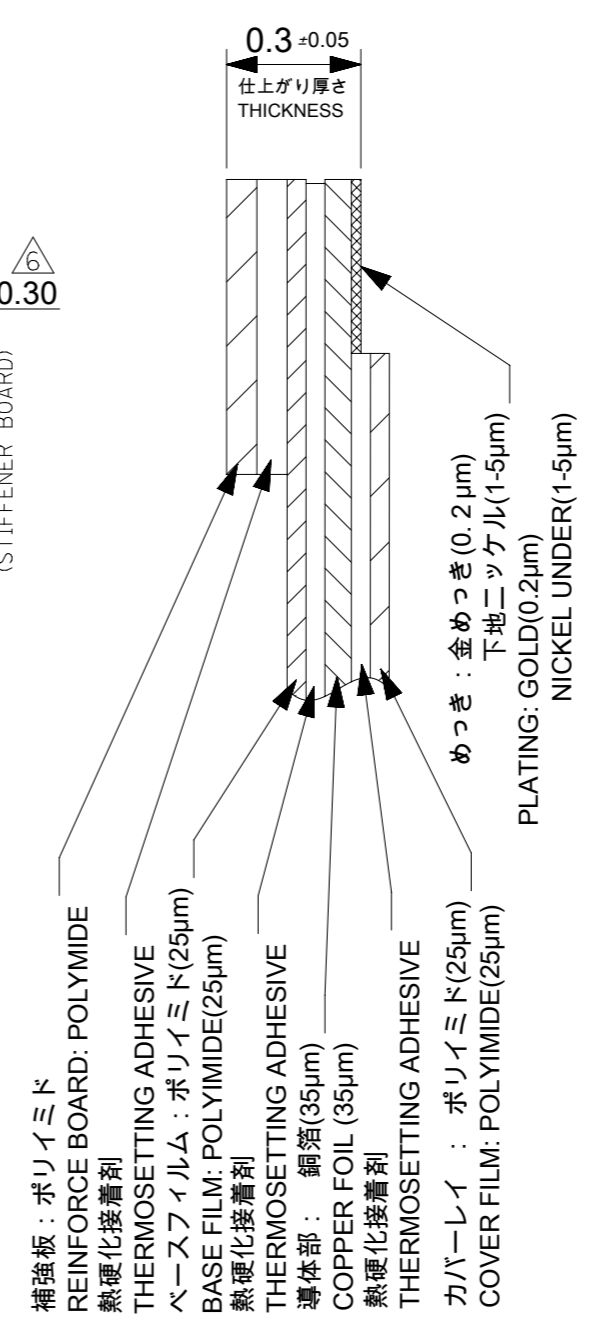
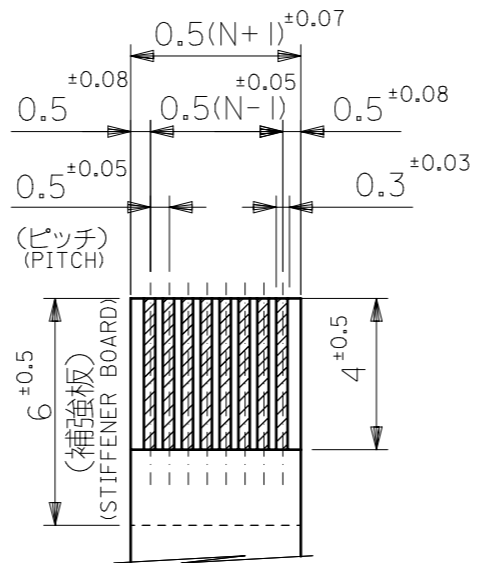
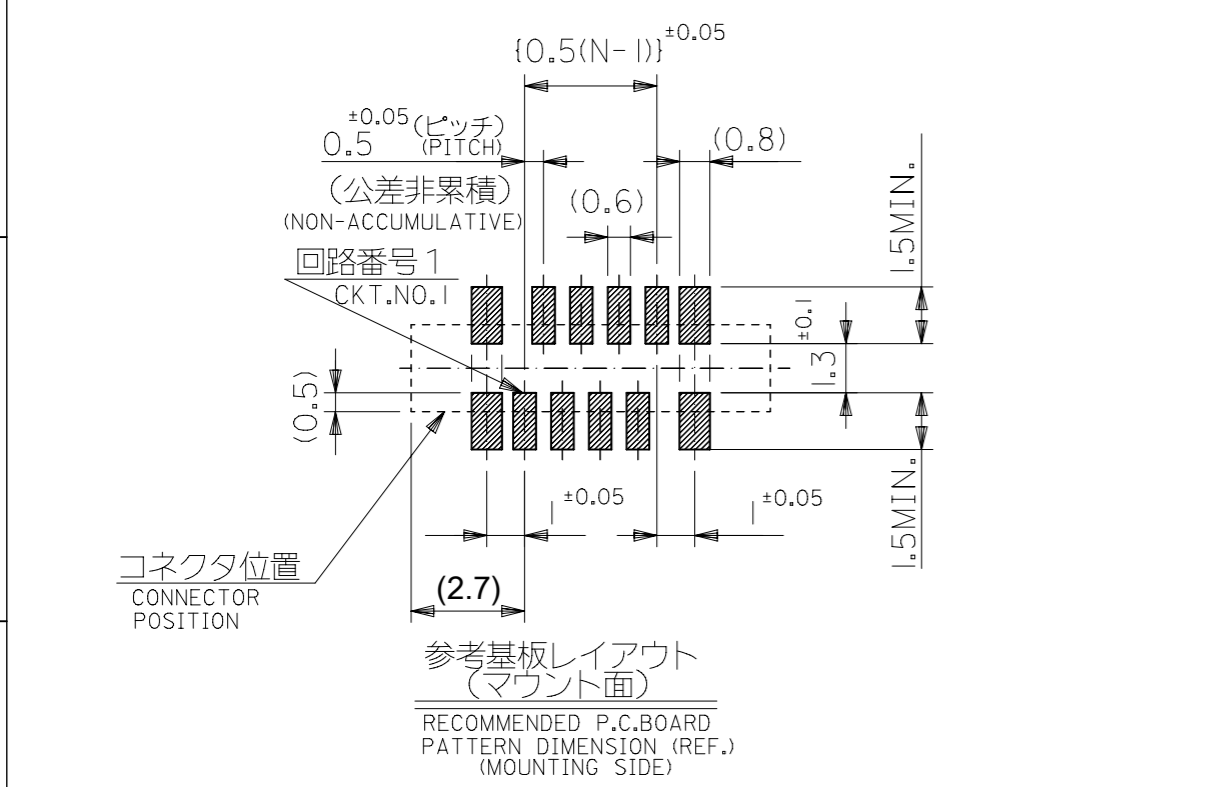
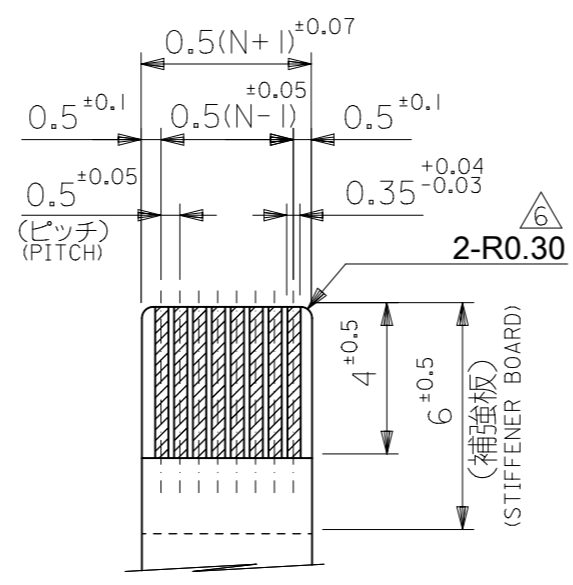
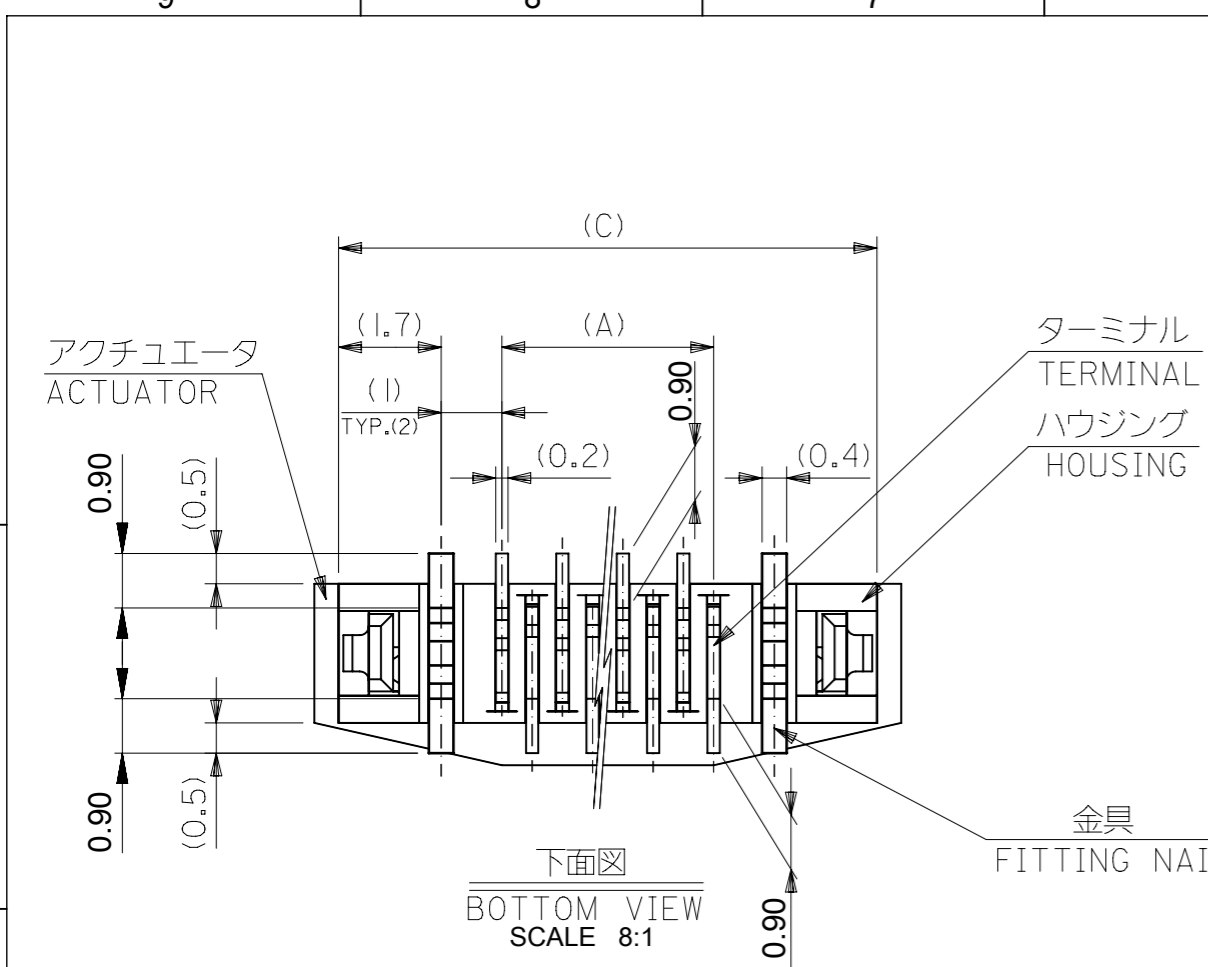
- 1.使用材料 MATERIAL
 ハウジング : 46ナイロン、UL94V-0
 HOUSING : PA46, UL94V-0
 アクチュエータ : ポリフェニレンサルファイド (PPS)、UL94V-0
 ACTUATOR : PPS, UL94V-0
 ターミナル : リン青銅(t=0.2) PHOS-BRO(t = 0.2)
 : 接点部 金メッキ 0.1マイクロメートル以上
 CONTACT GOLD 0.1 MICROMETER MINIMUM
 : 半田付け部 錫メッキ 1.0マイクロメートル以上
 TAIL TIN 1.0 MICROMETER MINIMUM
 : ニッケル下地 1.0マイクロメートル以上
 NICKEL(UNDER PLATING) 1.0 MICROMETER MINIMUM
 : リン青銅(t=0.4) PHOS-BRO(t = 0.4)
 : 錫メッキ 1.0マイクロメートル以上
 TIN 1.0 MICROMETER MINIMUM
 : ニッケル下地 1.0マイクロメートル以上
 NICKEL(UNDER PLATING) 1.0 MICROMETER MINIMUM

- 2.エンボステープ梱包時はアクチュエータがロックした状態とする。
 IN THE PACKAGE, ACTUATOR OF PART NO.52559-**79 SHOULD BE LOCKED.
 3.ソルダーテール半田付け面のズレ量、および金具半田付け面のズレ量は基準面 G に対し上方向 0.05MAXIMUM、下方向 0.15MAXIMUMとする。
 MISALIGNMENT OF SOLDER TAILS AND FITTING NAILS FROM DATUM-G UPPER DIRECTION : 0.05MAXIMUM, LOWER DIRECTION : 0.15 MAXIMUM.
 4.偶数極に適用。
 APPLY FOR EVEN CIRCUIT.
 5.パターンはく離止め金具。
 FITTING NAIL FOR PREVENTION OF PEELING OF P.W.BOARD PATTERN.
 6.R0.3は、FPCの導体部にかからないこと
 R0.3 MUST NOT BE OVERLAPPED TO PATTERN OF FPC.



25.7	24.9	20.65	19.5	52559-4052	40
23.7	22.9	18.65	17.5	52559-3652	36
21.7	20.9	16.65	15.5	52559-3252	32
20.7	19.9	15.65	14.5	52559-3052	30
19.7	18.9	14.65	13.5	52559-2852	28
19.2	18.4	14.15	13.0	52559-2752	27
18.7	17.9	13.65	12.5	52559-2652	26
17.7	16.9	12.65	11.5	52559-2452	24
17.2	16.4	12.15	11.0	52559-2352	23
16.2	15.4	11.15	10.0	52559-2152	21
15.7	14.9	10.65	9.5	52559-2052	20
14.2	13.4	9.15	8.0	52559-1752	17
13.7	12.9	8.65	7.5	52559-1652	16
13.2	12.4	8.15	7.0	52559-1552	15
12.7	11.9	7.65	6.5	52559-1452	14
11.7	10.9	6.65	5.5	52559-1252	12
10.7	9.90	5.65	4.5	52559-1052	10
10.2	9.40	5.15	4.0	52559-0952	9
8.70	7.90	3.65	2.5	52559-0652	6
D	C	B	(A)	ORDER No.	CKT.

THIS DRAWING CONTAINS INFORMATION THAT IS PROPRIETARY TO MOLEX ELECTRONIC TECHNOLOGIES, LLC AND SHOULD NOT BE USED WITHOUT WRITTEN PERMISSION					
DIMENSION UNITS	SCALE	CURRENT REV DESC:			
mm	10:1				
GENERAL TOLERANCES (UNLESS SPECIFIED)		molex			
ANGULAR TOL ± 3.0°		0.5 FPC CONN ASSY ZIF FOR SMT EMBSTP PKG -LEAD FREE-			
4 PLACES ± 0.2	EC NO: 176518	PRODUCT CUSTOMER DRAWING			
3 PLACES ± 0.2	DRWN: TNAKAGAWA01 2018/05/09	DOCUMENT NUMBER			
2 PLACES ± 0.2	CHK'D: RTAKEUCHI 2018/05/14	SD-52559-049			
1 PLACE ± 0.25	APPR: RTAKEUCHI 2018/05/14	DOC TYPE DOC PART REVISION			
0 PLACES ± 0.3	INITIAL REVISION:	PSD 001 L			
DRAFT WHERE APPLICABLE MUST REMAIN WITHIN DIMENSIONS	DRWN: MNABEI 2004/07/14	MATERIAL NUMBER			
	APPR: NUKITA 2004/07/14	CUSTOMER			
	THIRD ANGLE PROJECTION	DRAWING	SERIES	SHEET NUMBER	
		A3-SIZE	52559	1 OF 6	



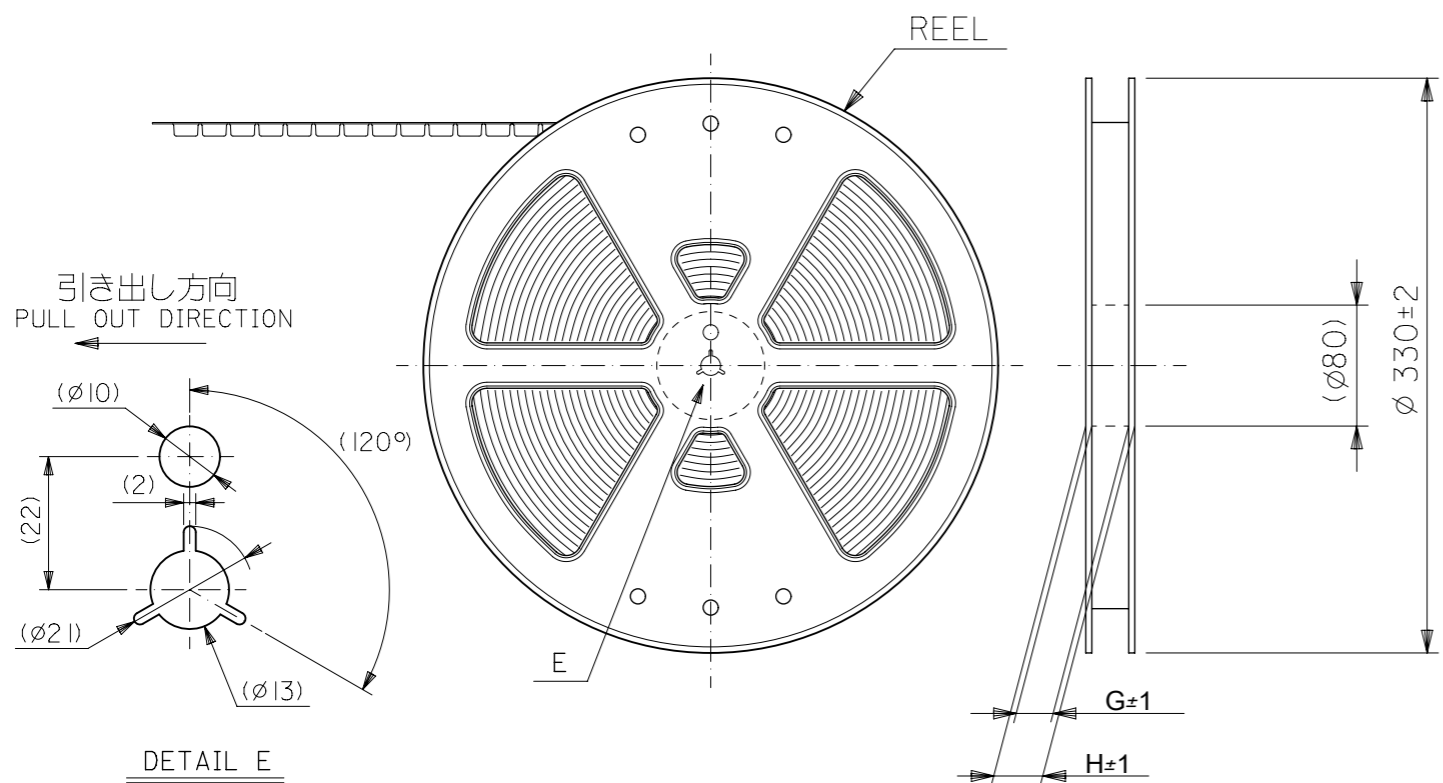
FPC構成推奨仕様
STRUCTURE OF FPC

FPCについて:
打抜き方向は導体側から補強板側を推奨致します。
補強フィルム材質はポリイミドを推奨致します。
接着剤は熱硬化接着剤を推奨致します。

ABOUT FPC:
RECOMMENDED PUNCHER DIRECTION: FROM CONDUCTOR SIDE TO STIFFENER BOARD SIDE.
RECOMMENDED MATERIAL:
STIFFENER FILM: POLYIMIDE
BONDING AGENT: THERMOSETTING BONDING AGENT

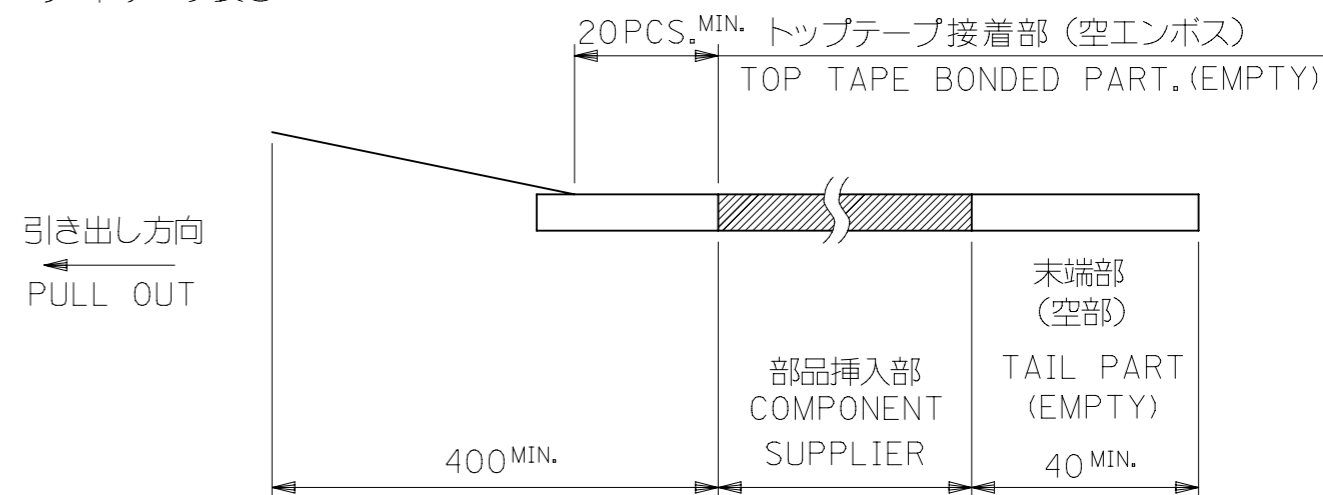
FFC構成推奨仕様
STRUCTURE OF FFC

THIS DRAWING CONTAINS INFORMATION THAT IS PROPRIETARY TO MOLEX ELECTRONIC TECHNOLOGIES, LLC AND SHOULD NOT BE USED WITHOUT WRITTEN PERMISSION									
DIMENSION UNITS		SCALE		CURRENT REV DESC:					
mm		5:1		<p>molex</p> <p>0.5 FPC CONN ASSY ZIF FOR SMT EMBSTP PKG -LEAD FREE-</p> <p>PRODUCT CUSTOMER DRAWING</p> <p>DOCUMENT NUMBER: SD-52559-049</p> <p>DOC TYPE: PSD</p> <p>DOC PART: 001</p> <p>REVISION: L</p> <p>SHEET NUMBER: 2 OF 6</p>					
GENERAL TOLERANCES (UNLESS SPECIFIED)									
ANGULAR TOL ± 3.0°									
4 PLACES ± 0.2									
3 PLACES ± 0.2									
2 PLACES ± 0.2									
1 PLACE ± 0.25									
0 PLACES ± 0.3									
DRAFT WHERE APPLICABLE MUST REMAIN WITHIN DIMENSIONS				THIRD ANGLE PROJECTION		DRAWING		SERIES	
DOCUMENT STATUS		P1		RELEASE DATE		2018/05/14		04:50:40	

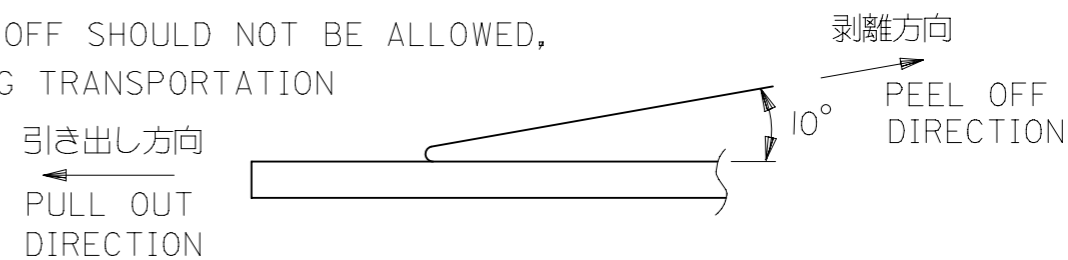


注記 NOTES

1. 梱包状態はアクチュエータがロックした状態とする。
IN THE PACKAGE, ACTUATOR SHOULD BE LOCKED.
2. 梱包数量：1000個/リール
NUMBER OF CONNECTORS: 1000PCS/REEL
3. リードテープ長さ LEAD TAPE LENGTH



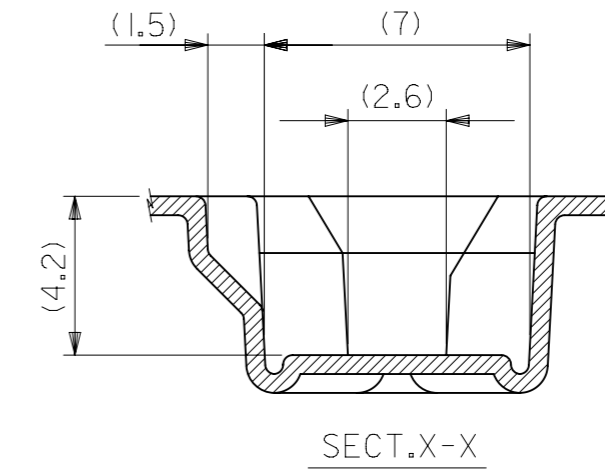
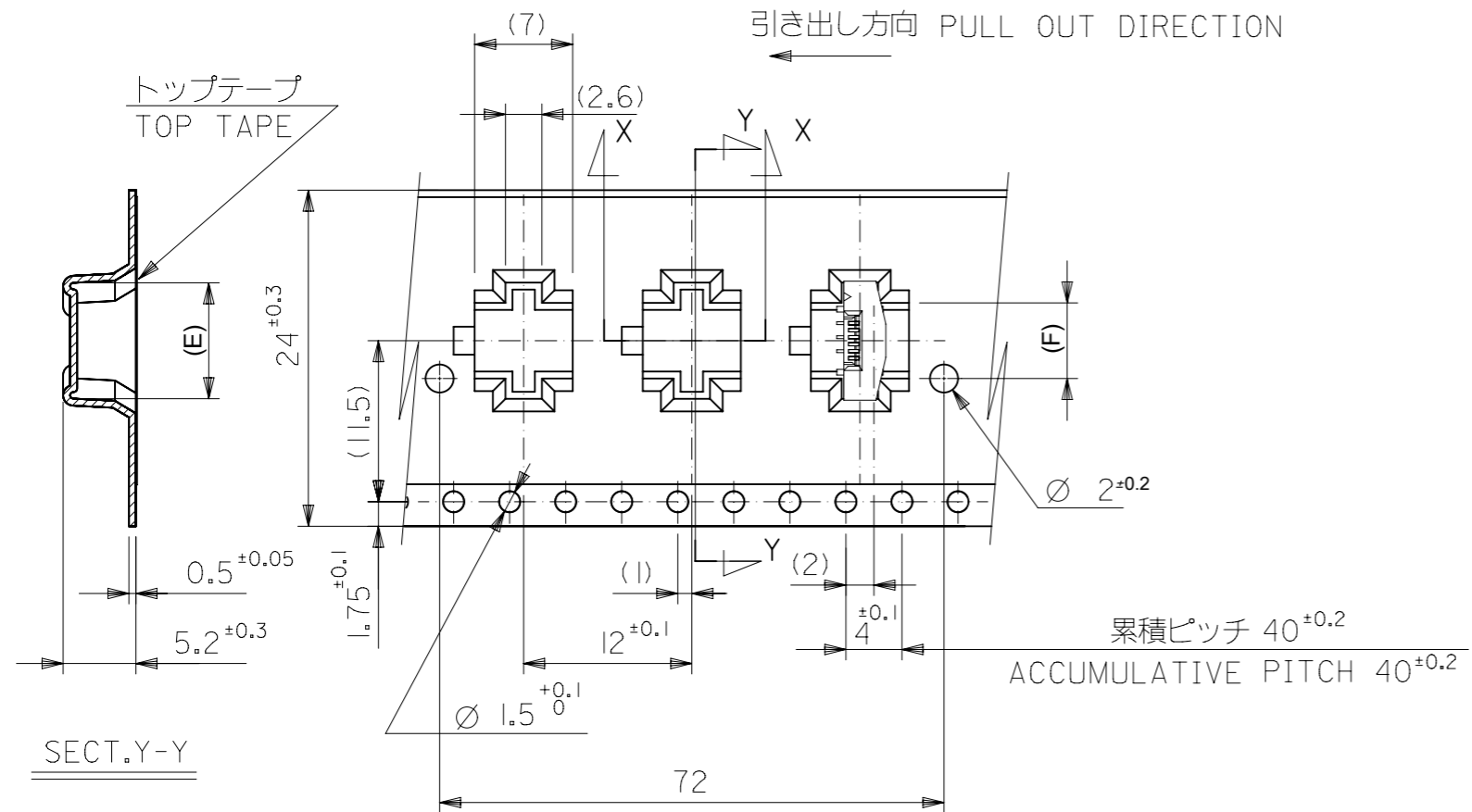
4. トップテープの剥離強度：(剥離方向は下図参照)
0. 1N~1.3N {10gf~130gf} 尚、本規格値は、出荷時に適用。
(但し、輸送時に剥離が発生しない事。)
PEELING OFF FORCE OF TOP TAPE
0.1N~1.3N(10gf~130gf)(PEELING DIRECTION AS SHOWN IN FOLLOWING FIG.)
THIS REQUIREMENT SHOULD BE APPLIED AT SHIPMENT
PEEL OFF SHOULD NOT BE ALLOWED,
DURING TRANSPORTATION



5. 材料 キャリアテープ：ポリプロピレン (PP)
トップテープ：PET, PE, PEF
リール：ポリスチレン (PS) <リサイクル材を含む>
MATERIAL CARRIER TAPE: POLYPROPYLENE
TOP TAPE: PET, PE, PEF
REEL: POLYSTYRENE (PS)
<RECYCLE MATERIAL CONTAINED>

6. 本製品は52559-**53のエンボステープ違い品である。
THIS PRODUCT IS EMBOSSED TAPE DIFFERENCE ARTICLE OF 52559-**53.
7. 本製品は乾燥剤入り、ハイバリア梱包仕様である。
THIS PRODUCT IS HIGH BARRIER PACKAGE WITH DESICCANT.

THIS DRAWING CONTAINS INFORMATION THAT IS PROPRIETARY TO MOLEX ELECTRONIC TECHNOLOGIES, LLC AND SHOULD NOT BE USED WITHOUT WRITTEN PERMISSION									
DIMENSION UNITS		SCALE		CURRENT REV DESC:				molex	
mm		±							
GENERAL TOLERANCES (UNLESS SPECIFIED)				EC NO: 176518				0.5 FPC CONN ASSY ZIF	
ANGULAR TOL ± 3.0°				DRWN: TNAKAGAWA01 2018/05/09				FOR SMT EMBSTP PKG -LEAD FREE-	
4 PLACES ± 0.2				CHK'D: RTAKEUCHI 2018/05/14				PRODUCT CUSTOMER DRAWING	
3 PLACES ± 0.2				APPR: RTAKEUCHI 2018/05/14				DOCUMENT NUMBER	
2 PLACES ± 0.2				INITIAL REVISION:				SD-52559-049	
1 PLACE ± 0.25				DRWN: MNABEI 2004/07/14				DOC TYPE	
0 PLACES ± 0.3				APPR: NUKITA 2004/07/14				PSD	
DRAFT WHERE APPLICABLE MUST REMAIN WITHIN DIMENSIONS				THIRD ANGLE PROJECTION		DRAWING		DOC PART	
				A3-SIZE		SERIES		REVISION	
				52559		MATERIAL NUMBER		001	
				SEE SHEET 4-6		CUSTOMER		L	
				GENERAL MARKET		SHEET NUMBER		3 OF 6	

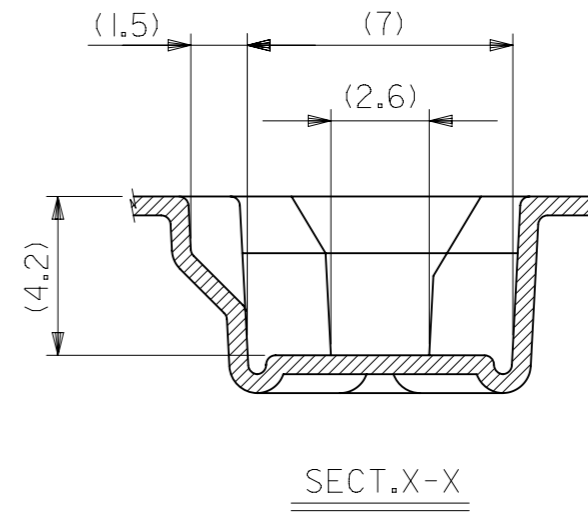
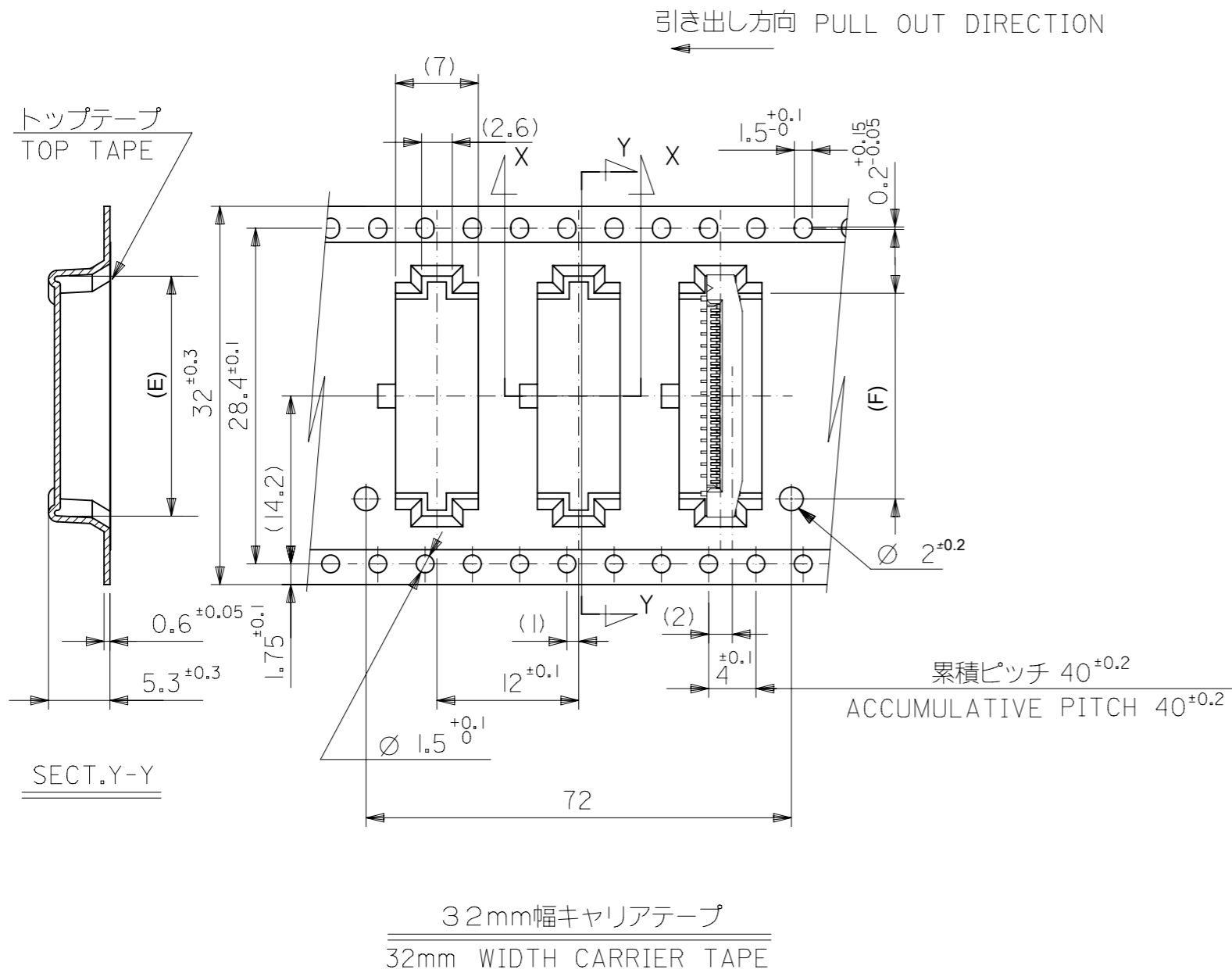


24mm幅キャリアテープ
24mm WIDTH CARRIER TAPE

24	29.4	25.4	14.4	17.3	52559-2452	24		
			13.9	16.8	52559-2352	23		
			12.9	15.8	52559-2152	21		
			12.4	15.3	52559-2052	20		
			10.9	13.8	52559-1752	17		
			10.4	13.3	52559-1652	16		
			9.9	12.8	52559-1552	15		
			9.4	12.3	52559-1452	14		
			8.4	11.3	52559-1252	12		
			7.4	10.3	52559-1052	10		
			6.9	9.8	52559-0952	9		
			5.4	8.3	52559-0652	6		
CARRIER TAPE WIDTH			H	G	(F)	(E)	ORDER No.	CKT.

THIS DRAWING CONTAINS INFORMATION THAT IS PROPRIETARY TO MOLEX ELECTRONIC TECHNOLOGIES, LLC AND SHOULD NOT BE USED WITHOUT WRITTEN PERMISSION

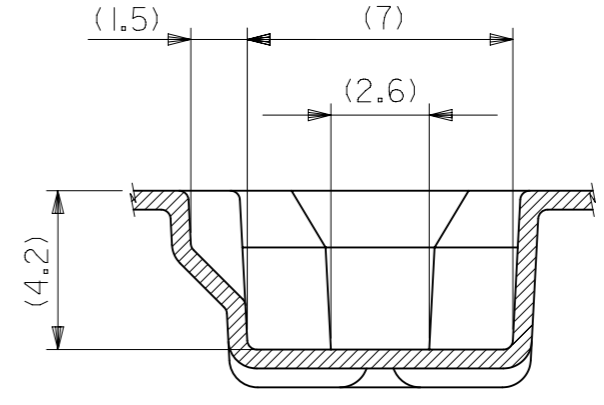
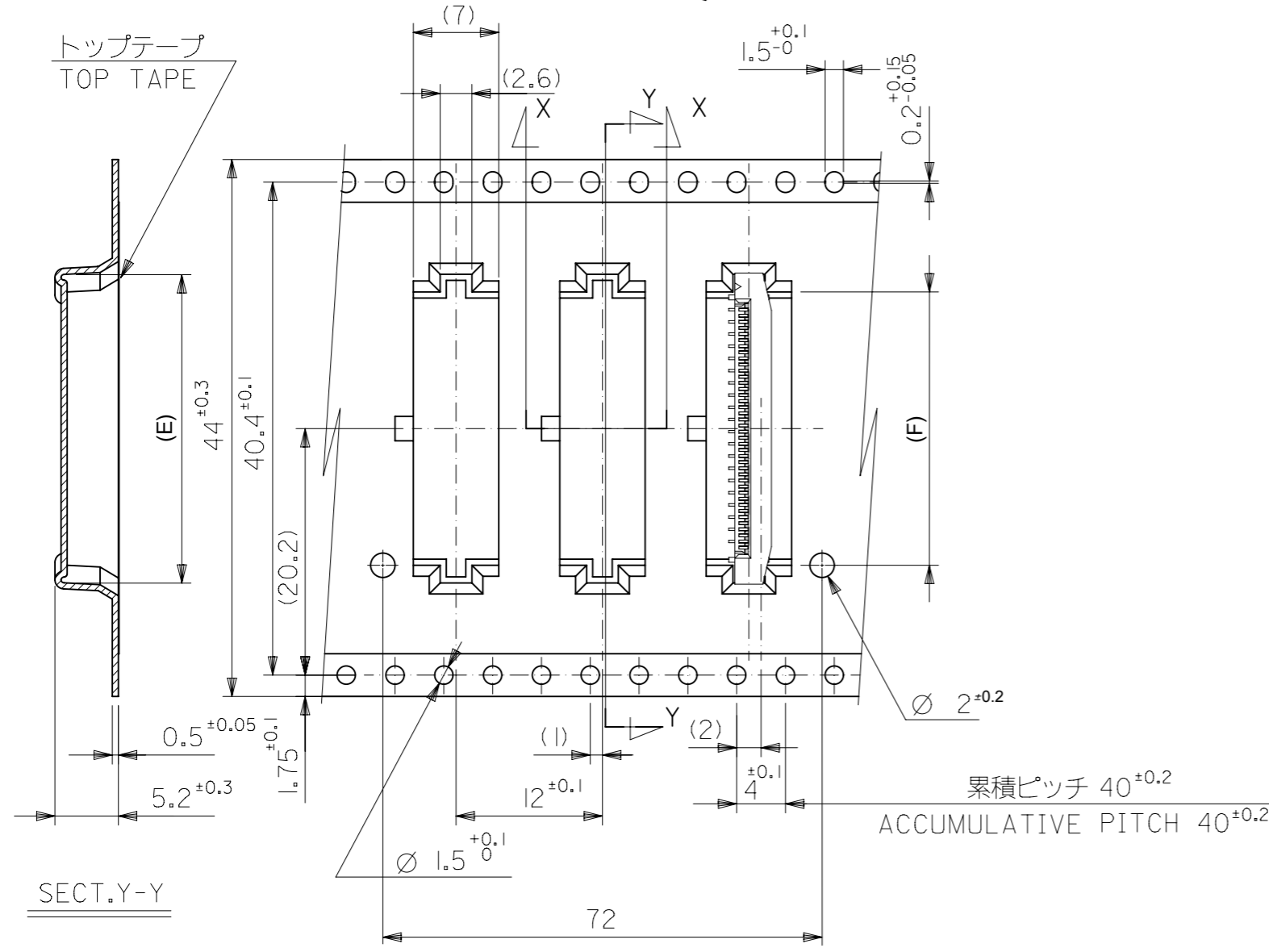
DIMENSION UNITS mm	SCALE ±±	CURRENT REV DESC:		molex		
GENERAL TOLERANCES (UNLESS SPECIFIED)	ANGULAR TOL ± 3.0°	EC NO: 176518				
4 PLACES ± 0.2	3 PLACES ± 0.2	DRWN: TNAKAGAWA01	2018/05/09	PRODUCT CUSTOMER DRAWING		
2 PLACES ± 0.2	1 PLACE ± 0.25	CHK'D: RTAKEUCHI	2018/05/14	DOCUMENT NUMBER		
0 PLACES ± 0.3		APPR: RTAKEUCHI	2018/05/14	SD-52559-049		
DRAFT WHERE APPLICABLE MUST REMAIN WITHIN DIMENSIONS	THIRD ANGLE PROJECTION	INITIAL REVISION:		DOC TYPE	DOC PART	REVISION
		DRWN: MNABEI	2004/07/14	PSD	001	L
		APPR: NUKITA	2004/07/14	MATERIAL NUMBER	CUSTOMER	SHEET NUMBER
				SEE TABLE	GENERAL MARKET	4 OF 6



32	37.4	33.4	18.4	21.3	52559-3252	32		
			17.4	20.3	52559-3052	30		
			16.4	19.3	52559-2852	28		
			15.9	18.8	52559-2752	27		
			15.4	18.3	52559-2652	26		
CARRIER TAPE WIDTH			H	G	(F)	(E)	ORDER No.	CKT.

THIS DRAWING CONTAINS INFORMATION THAT IS PROPRIETARY TO MOLEX ELECTRONIC TECHNOLOGIES, LLC AND SHOULD NOT BE USED WITHOUT WRITTEN PERMISSION									
DIMENSION UNITS mm		SCALE 1:1		CURRENT REV DESC:					
GENERAL TOLERANCES (UNLESS SPECIFIED)				molex 0.5 FPC CONN ASSY ZIF FOR SMT EMBSTP PKG -LEAD FREE- PRODUCT CUSTOMER DRAWING					
ANGULAR TOL		± 3.0 °							
4 PLACES		± 0.2							
3 PLACES		± 0.2							
2 PLACES		± 0.2							
1 PLACE		± 0.25		INITIAL REVISION:					
0 PLACES		± 0.3		DRWN: MNABEI		2004/07/14		DOCUMENT NUMBER	
DRAFT WHERE APPLICABLE MUST REMAIN WITHIN DIMENSIONS				THIRD ANGLE PROJECTION		DRAWING		SERIES	
P1		RELEASE DATE		2018/05/14		04:50:40		SD-52559-049	
A3-SIZE		52559		SEE TABLE		GENERAL MARKET		5 OF 6	

引き出し方向 PULL OUT DIRECTION



44mm幅キャリアテープ
44mm WIDTH CARRIER TAPE

44	49.4	45.4	22.4	25.3	52559-4052	40
			20.4	23.3	52559-3652	36
CARRIER TAPE WIDTH			H	G	(F)	(E)
					ORDER No.	CKT.

THIS DRAWING CONTAINS INFORMATION THAT IS PROPRIETARY TO MOLEX ELECTRONIC TECHNOLOGIES, LLC AND SHOULD NOT BE USED WITHOUT WRITTEN PERMISSION						
DIMENSION UNITS	SCALE	CURRENT REV DESC:				
mm	±±	<p>molex</p> <p>0.5 FPC CONN ASSY ZIF FOR SMT EMBSTP PKG -LEAD FREE-</p> <p>PRODUCT CUSTOMER DRAWING</p>				
GENERAL TOLERANCES (UNLESS SPECIFIED)						
ANGULAR TOL	± 3.0°	EC NO:	176518			
4 PLACES	± 0.2	DRWN:	TNAKAGAWA01	2018/05/09		
3 PLACES	± 0.2	CHK'D:	RTAKEUCHI	2018/05/14		
2 PLACES	± 0.2	APPR:	RTAKEUCHI	2018/05/14		
1 PLACE	± 0.25	INITIAL REVISION:				
0 PLACES	± 0.3	DRWN:	MNABEI	2004/07/14	DOCUMENT NUMBER	DOC TYPE
DRAFT WHERE APPLICABLE MUST REMAIN WITHIN DIMENSIONS		THIRD ANGLE PROJECTION	DRAWING	SERIES	MATERIAL NUMBER	CUSTOMER
			A3-SIZE	52559	SEE TABLE	GENERAL MARKET
				SD-52559-049	PSD	001
						L
						6 OF 6

DOCUMENT STATUS	P1	RELEASE DATE	2018/05/14	04:50:40
-----------------	----	--------------	------------	----------

F

E

D

C

B

A

F

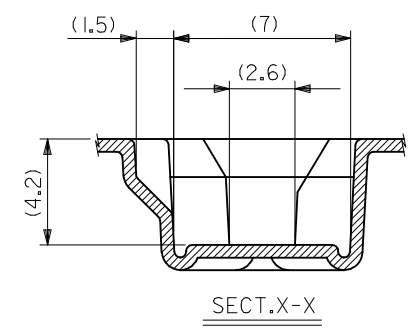
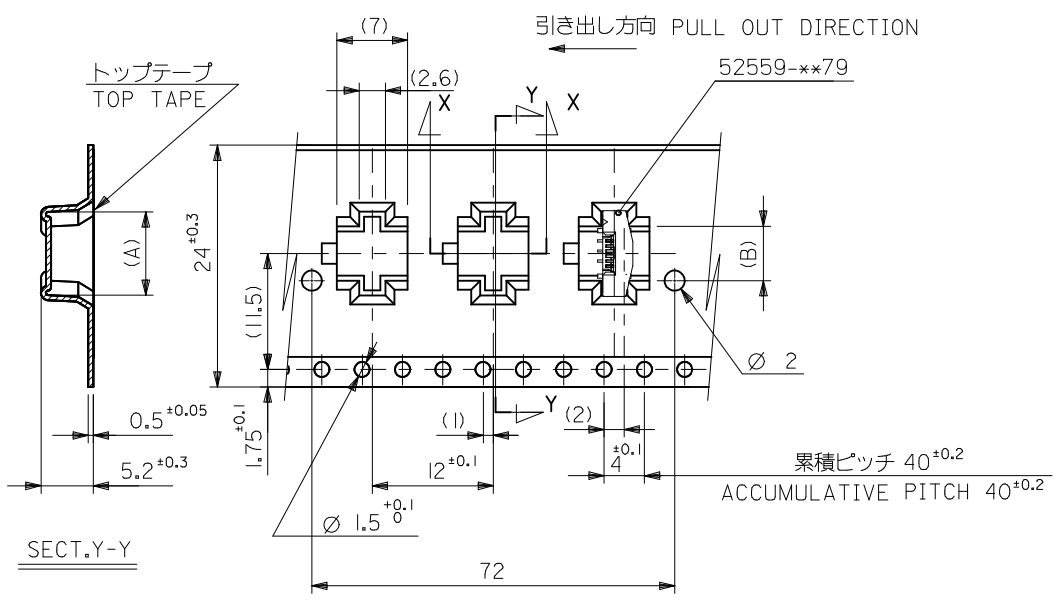
E

D

C

B

A



24mm幅キャリアテープ
24mm WIDTH CARRIER TAPE

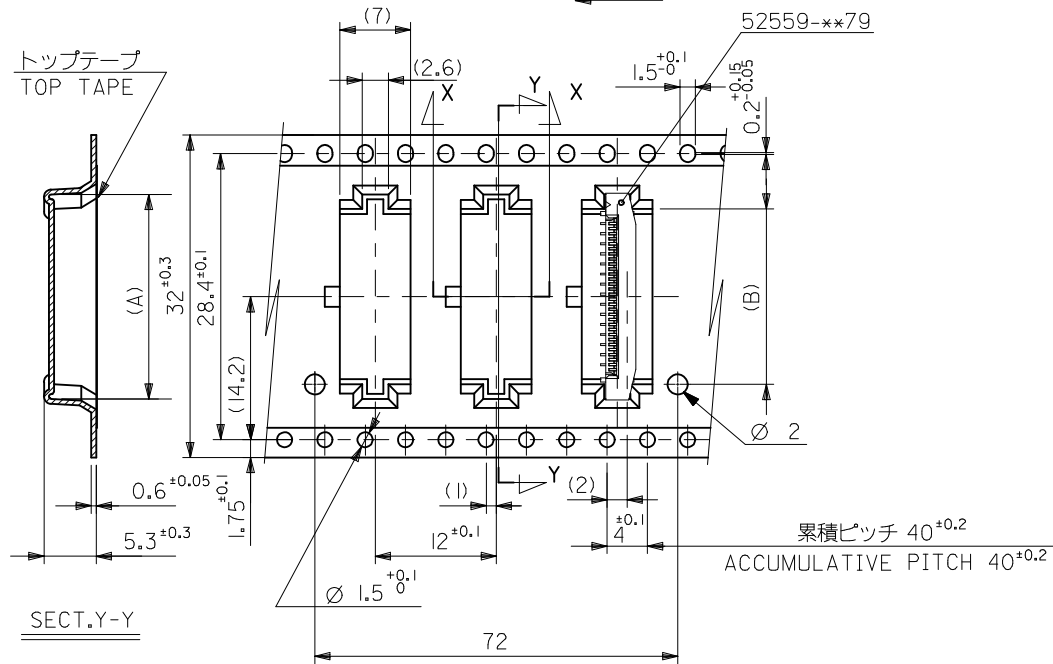
24	29.4	25.4	(B)	(A)	52559-2452	24
			(B)	(A)	52559-2352	23
			(B)	(A)	52559-2152	21
			(B)	(A)	52559-2052	20
			(B)	(A)	52559-1752	17
			(B)	(A)	52559-1652	16
			(B)	(A)	52559-1552	15
			(B)	(A)	52559-1452	14
			(B)	(A)	52559-1252	12
			(B)	(A)	52559-1052	10
(B)	(A)	52559-0952	9			
(B)	(A)	52559-0652	6			

REVISED EC NO: J2016-0020 DRWN: YUHASEGAWA 2015/07/06 CHKD: APPR: YNOGAWA 2015/07/10 K	GENERAL TOLERANCES (UNLESS SPECIFIED)		DIMENSION STYLE		SCALE	DESIGN UNITS		THIRD ANGLE PROJECTION	
	0.25 UNDER UNDER ±0.03		MM ONLY		---	METRIC		⊙ □	
	0.25 OVER 0.5 UNDER ±0.05		DRAWN BY		DATE	TITLE			
	0.5 OVER 1.0 UNDER ±0.1		MNABEI		'04/07/13	0.5 FPC CONN ASSY ZIF FOR SMT EMBSTP PKG -LEAD FREE-			
	1.0 OVER 10 UNDER ±0.2		CHECKED BY		DATE	molex DOCUMENT NO. SD-52559-049 SHEET NO. 2 OF 4			
10 OVER 30 UNDER ±0.25		KTOJO		'04/07/13					
30 OVER ±0.3		APPROVED BY		DATE	THIS DRAWING CONTAINS INFORMATION THAT IS PROPRIETARY TO MOLEX INCORPORATED AND SHOULD NOT BE USED WITHOUT WRITTEN PERMISSION				
ANGULAR ±3 °		NUKITA		'04/07/13					
DRAFT WHERE APPLICABLE MUST REMAIN WITHIN DIMENSIONS		MATERIAL NO.		SEE CHART					
		SIZE		A3					

引き出し方向 PULL OUT DIRECTION

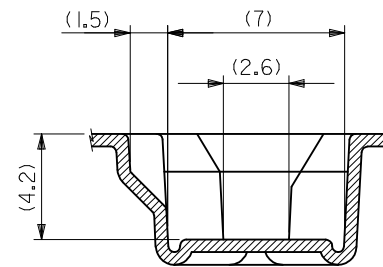
52559-**79

トップテープ
TOP TAPE



累積ピッチ 40 ± 0.2
ACCUMULATIVE PITCH 40 ± 0.2

32mm幅キャリアテープ
32mm WIDTH CARRIER TAPE

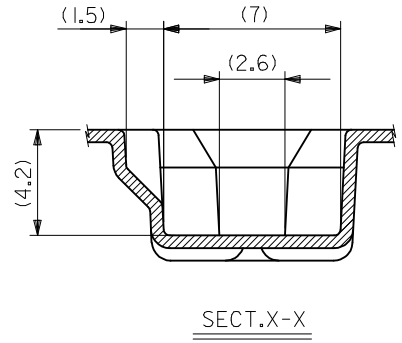
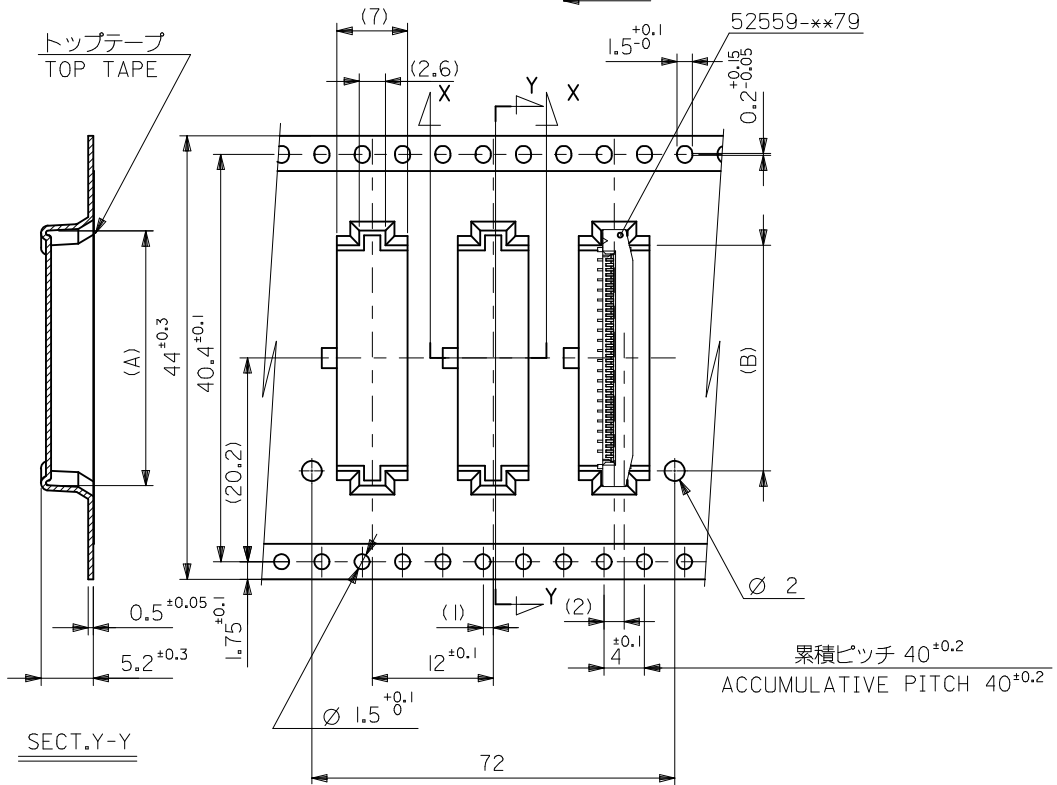


SECT.X-X

32	37.4	33.4	18.4	21.3	52559-3252	32
			17.4	20.3	52559-3052	30
			16.4	19.3	52559-2852	28
			15.9	18.8	52559-2752	27
			15.4	18.3	52559-2652	26
キャリアテープ幅 CARRIER TAPE WIDTH	D	C	(B)	(A)	MATERIAL NO.	CIRCUIT NO.

REVISED EC NO: J2016-0020 DRWN: YUHASEGAWA 2015/07/16 CHKD: APPR: YNOGAWA 2015/07/10 REV: K	GENERAL TOLERANCES (UNLESS SPECIFIED)			DIMENSION STYLE MM ONLY		SCALE ---	DESIGN UNITS METRIC	THIRD ANGLE PROJECTION		
	0.25 UNDER	UNDER	± 0.03	DRAWN BY	DATE	TITLE				
	0.25 OVER	0.5 UNDER	± 0.05	MNABEI	'04/07/13	0.5 FPC CONN ASSY ZIF FOR SMT EMBSTP PKG -LEAD FREE-				
	0.5 OVER	1.0 UNDER	± 0.1	CHECKED BY	DATE					
	1.0 OVER	10 UNDER	± 0.2	KTOJO	'04/07/13					
	30 OVER		± 0.25	APPROVED BY	DATE	MATERIAL NO.		DOCUMENT NO.	SHEET NO.	
	30 OVER		± 0.3	NUKITA	'04/07/13	SEE CHART		SD-52559-049	3 OF 4	
	ANGULAR	$\pm 3^\circ$		THIS DRAWING CONTAINS INFORMATION THAT IS PROPRIETARY TO MOLEX INCORPORATED AND SHOULD NOT BE USED WITHOUT WRITTEN PERMISSION						
	DRAFT WHERE APPLICABLE MUST REMAIN WITHIN DIMENSIONS									

引き出し方向 PULL OUT DIRECTION



44mm幅キャリアテープ
44mm WIDTH CARRIER TAPE

44	49.4	45.4	22.4	25.3	52559-4052	40
キャリアテープ幅 CARRIER TAPE WIDTH	D	C	(B)	(A)	52559-3652	36
					MATERIAL NO.	CIRCUIT NO.

REVISED EC NO: J2016-0020 DRWN: YUHASEGAWA 2015/07/06 CHKD: APPR: YNOGAWA 2015/07/10 REV: K	GENERAL TOLERANCES (UNLESS SPECIFIED)		DIMENSION STYLE		SCALE	DESIGN UNITS	THIRD ANGLE PROJECTION
	0.25 UNDER	UNDER	±0.03	MM ONLY	---	METRIC	☉ □
	0.25 OVER	0.5 UNDER	±0.05	DRAWN BY	DATE	TITLE	
	0.5 OVER	1.0 UNDER	±0.1	MNABEI	'04/07/13	0.5 FPC CONN ASSY ZIF FOR SMT EMBSTP PKG -LEAD FREE-	
1.0 OVER	10 UNDER	±0.2	CHECKED BY	DATE	MATERIAL NO.		CIRCUIT NO.
30 OVER		±0.3	KTOJO	'04/07/13	SD-52559-049		4 OF 4
ANGULAR	±3 °		APPROVED BY	DATE	DOCUMENT NO.		SHEET NO.
DRAFT WHERE APPLICABLE MUST REMAIN WITHIN DIMENSIONS			NUKITA	'04/07/13	SEE CHART		
			MATERIAL NO.		THIS DRAWING CONTAINS INFORMATION THAT IS PROPRIETARY TO MOLEX INCORPORATED AND SHOULD NOT BE USED WITHOUT WRITTEN PERMISSION		