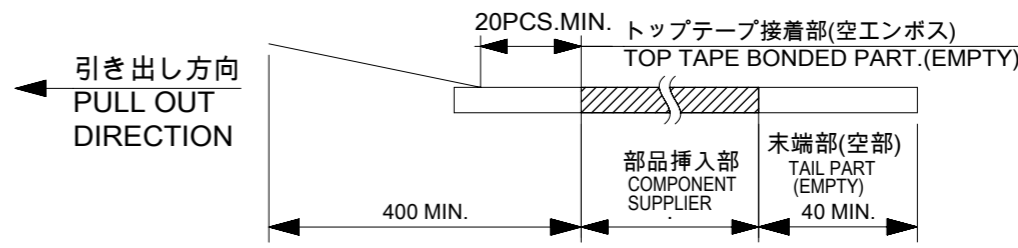
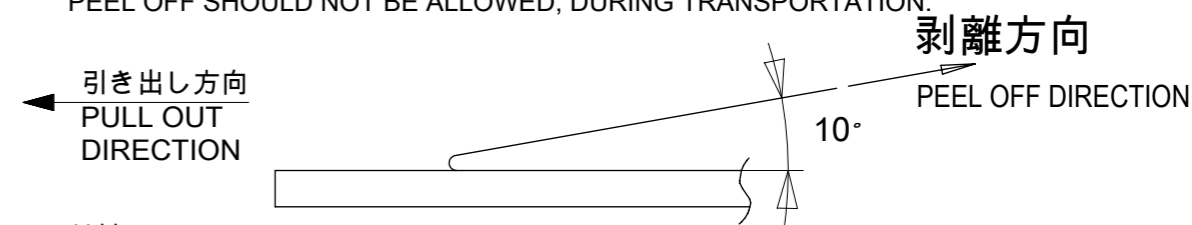


NOTES

1. 製品詳細寸法については、527931000 DOC PART 000図面を参照下さい。
RE DETAILED DIMENSION, SEE 527931000 DOC PART 000
2. 梱包数量 : 1000個 / リール
NUMBER OF CONNECTORS : 1000 PCS/REEL
3. リードテープ長さ LEAD TAPE LENGTH

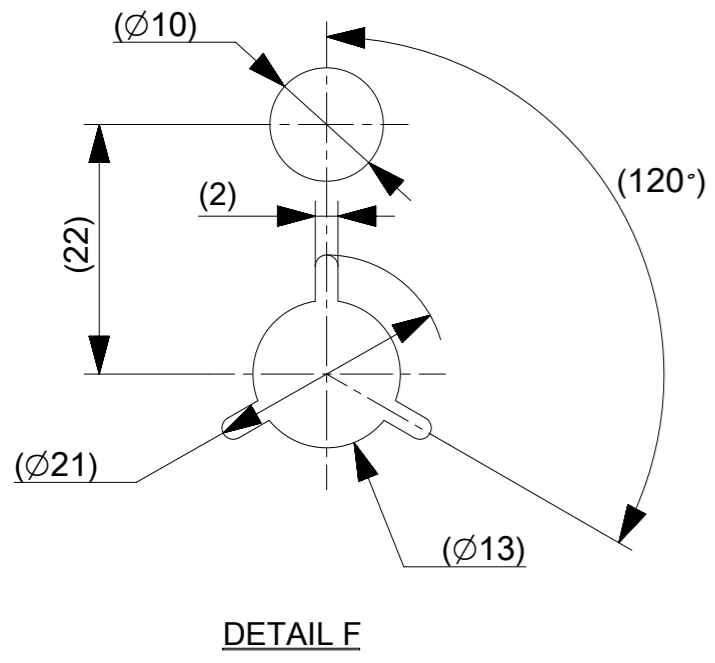
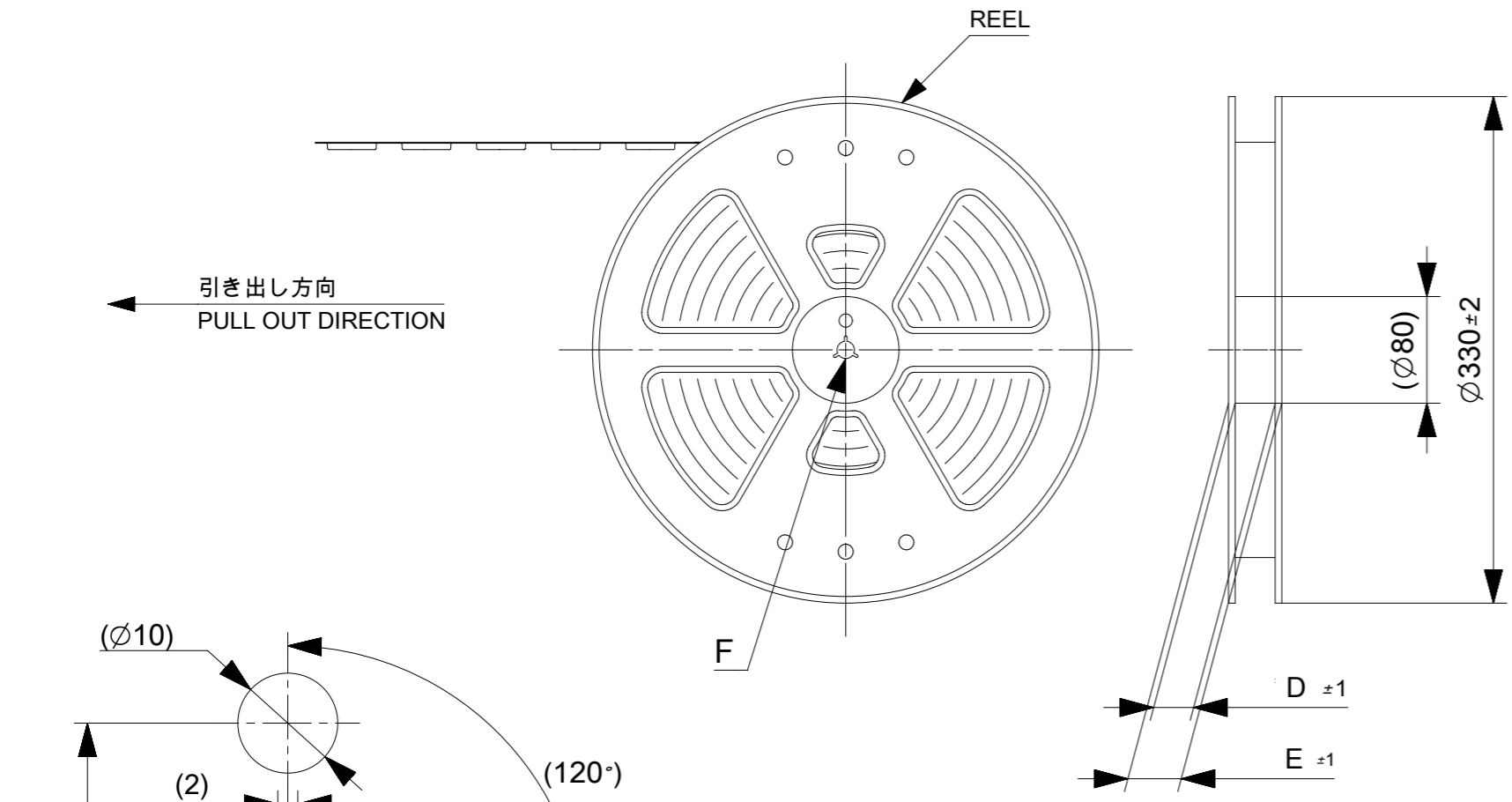


4. トップテープの剥離強度 : 0.1N-1.3N(10-130gf)(剥離方向は下図参照) 尚、本規格値は出荷時に適用。(但し、輸送時に剥離が発生しないこと。)
PEELING OFF FORCE OF TOP TAPE : 0.1N-1.3N(10-130gf)
(PEELING DIRECTION AS SHOWN IN FOLLOWING FIG.)
THIS REQUIREMENT SHOULD BE APPLIED AT SHIPMENT.
PEEL OFF SHOULD NOT BE ALLOWED, DURING TRANSPORTATION.



5. 材料(MATERIAL)
キャリアテープ(CARRIER TAPE) : ポリプロピレン(POLYPROPYLENE)
トップテープ(TOP TAPE) : PET, PE, PEF
リール(REEL) : ポリスチレン(PS) <リサイクル材を含む>
POLYSTYRENE(PS) <RECYCLE MATERIAL CONTAINED>

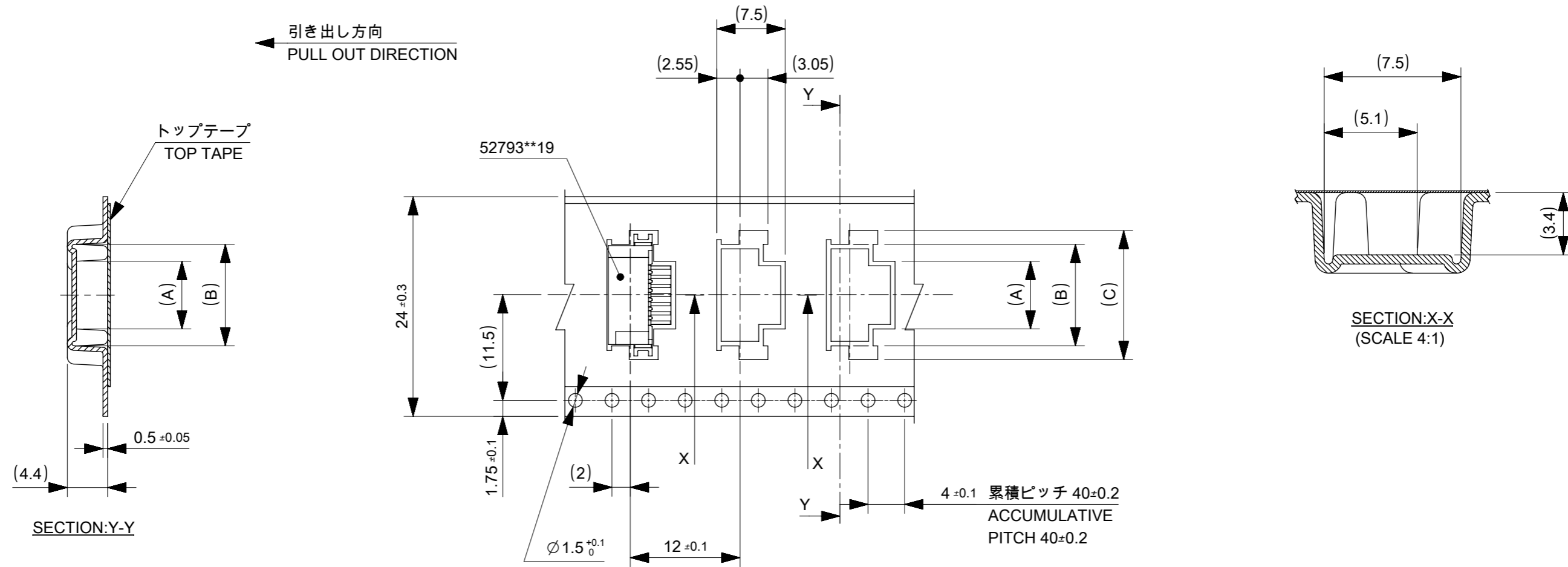
6. 本製品は 52793**90 の鉛フリー品である。
THIS PRODUCT IS LEAD FREE OF 52793**90.



勝特力電材超市-龍山店 886-3-5773766
 勝特力電材超市-光復店 886-3-5729570
 勝特力電子(上海) 86-21-34970699
 勝特力電子(深圳) 86-755-83298787
<http://www.100y.com.tw>

52793**70 MODEL NO.

THIS DRAWING CONTAINS INFORMATION THAT IS PROPRIETARY TO MOLEX ELECTRONIC TECHNOLOGIES, LLC AND SHOULD NOT BE USED WITHOUT WRITTEN PERMISSION									
EC NO: 108819 DRWN: RLALSANGI CHK'D: KTAKAHASHI APPR: TKUSUHARA01	GENERAL TOLERANCES (UNLESS SPECIFIED)		DIMENSION UNITS	SCALE					
	ANGULAR TOL ± 3.0 °		MM	NTS					
	4 PLACES	± 0.2	DRWN BY	DATE	1.0 FFC CONN ASSY NON ZIF SMT RA UPPER CONTACT EMBSTP PKG -LEAD FREE-				
	3 PLACES	± 0.2	RLALSANGI	2016/02/03					
	2 PLACES	± 0.25	CHK'D BY	DATE					
1 PLACE	± 0.3	KTAKAHASHI	2016/09/28						
0 PLACES	± 0.3	APPR BY	DATE	PRODUCT CUSTOMER DRAWING					
DRAFT WHERE APPLICABLE MUST REMAIN WITHIN DIMENSIONS		TKUSUHARA01	2016/09/29						
		DRAWING SIZE	THIRD ANGLE PROJECTION	SERIES		MATERIAL NUMBER		CUSTOMER	
		A3		52793				GENERAL	
				DOCUMENT NUMBER		DOC TYPE	DOC PART	SHEET NUMBER	
				527930000		PSD	000	1 OF 5	



24mm幅キャリアテープ
24mm WIDTH CARRIER TAPE

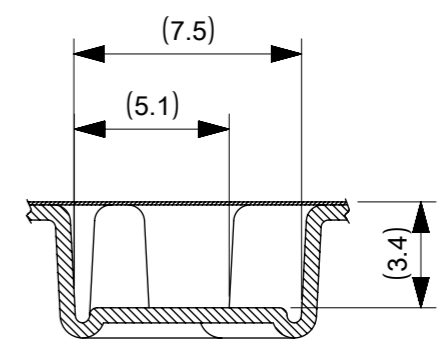
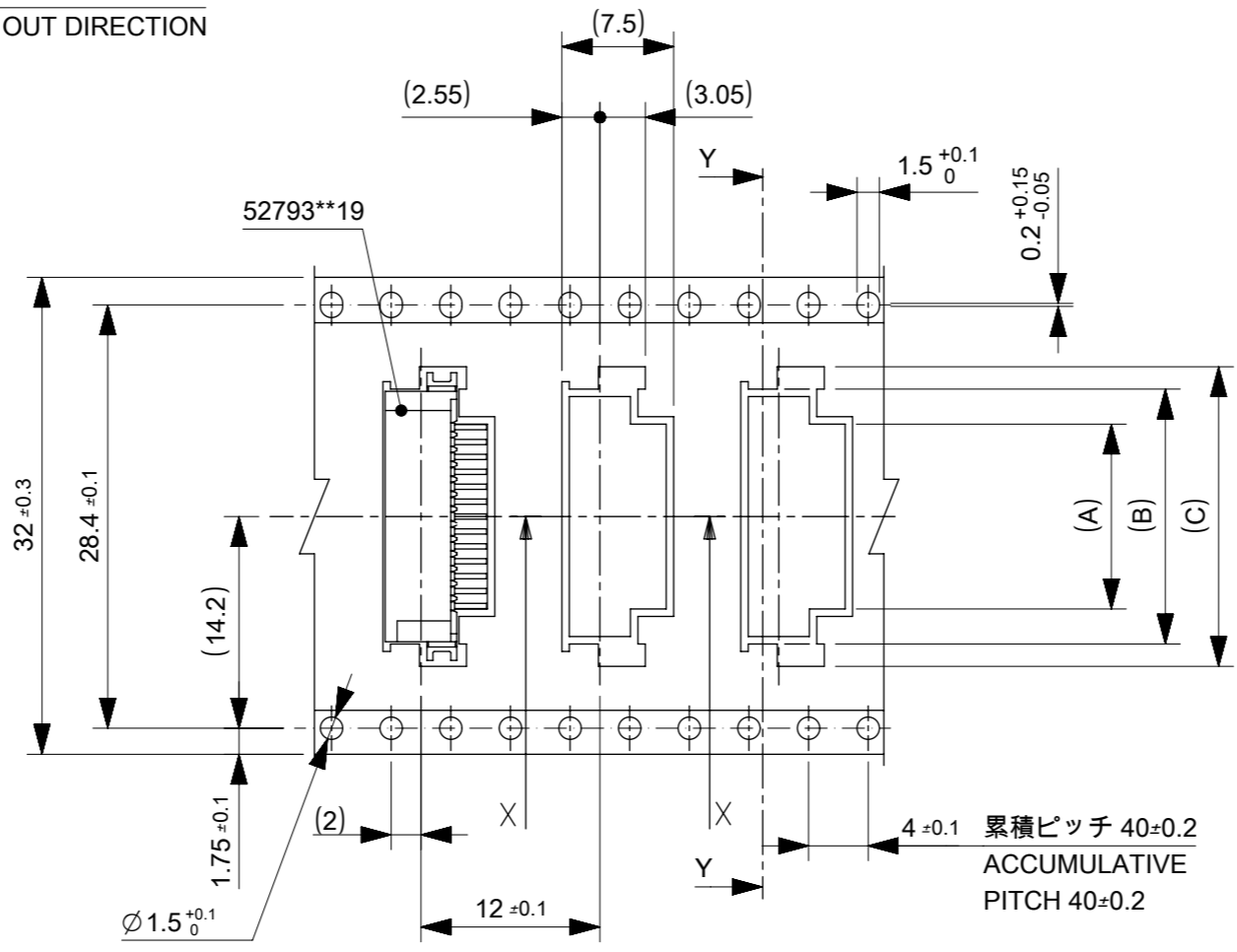
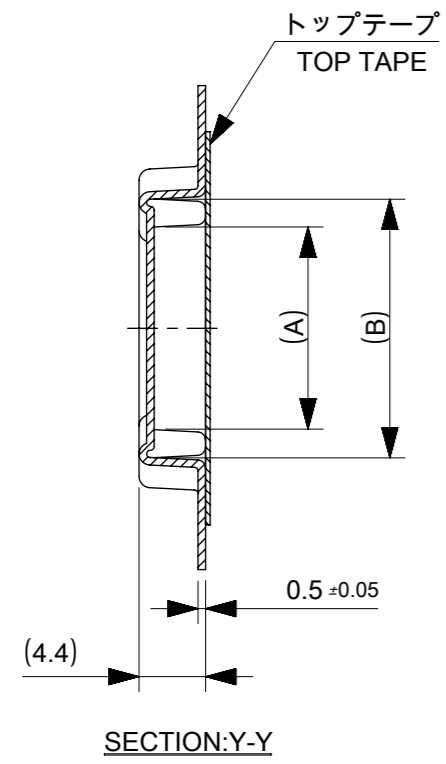
24	29.4	25.4	18.1	15.1	11.4	527931170	11	
			17.1	14.1	10.4	527931070	10	
			16.1	13.1	9.4	527930970	9	
			15.1	12.1	8.4	527930870	8	
			14.1	11.1	7.4	527930770	7	
			13.1	10.1	6.4	527930670	6	
			12.1	9.1	5.4	527930570	5	
			11.1	8.1	4.4	527930470	4	
キャリアテープ幅 CARRIER TAPE WIDTH		E	D	(C)	(B)	(A)	MATERIAL NO.	極数 CIRCUIT

52793**70 MODEL NO.

THIS DRAWING CONTAINS INFORMATION THAT IS PROPRIETARY TO MOLEX ELECTRONIC TECHNOLOGIES, LLC AND SHOULD NOT BE USED WITHOUT WRITTEN PERMISSION

EC NO: 108819 DRWN: RLALSANGI CHK'D: KTAKAHASHI APPR: TKUSUHARA01	2016/02/03	GENERAL TOLERANCES (UNLESS SPECIFIED)		DIMENSION UNITS	SCALE					
	2016/09/28	ANGULAR TOL ± 3.0 °		MM	NTS					
	2016/09/29	4 PLACES	± 0.2	DRWN BY	DATE	1.0 FFC CONN ASSY NON ZIF SMT RA UPPER CONTACT EMBSTP PKG -LEAD FREE-				
	REV A	3 PLACES	± 0.2	CHK'D BY	DATE					
		2 PLACES	± 0.25	KTAKAHASHI	2016/09/28					
1 PLACE		± 0.3	APPR BY	DATE						
0 PLACES		± 0.3	TKUSUHARA01	2016/09/29						
DRAFT WHERE APPLICABLE MUST REMAIN WITHIN DIMENSIONS		DRAWING SIZE	THIRD ANGLE PROJECTION	A3		PRODUCT CUSTOMER DRAWING				
						SERIES	MATERIAL NUMBER	CUSTOMER		
						52793		GENERAL		
						DOCUMENT NUMBER		DOC TYPE	DOC PART	SHEET NUMBER
						527930000		PSD	000	2 OF 5

引き出し方向
PULL OUT DIRECTION



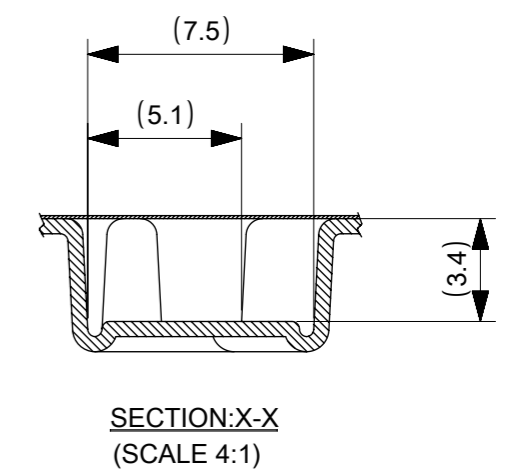
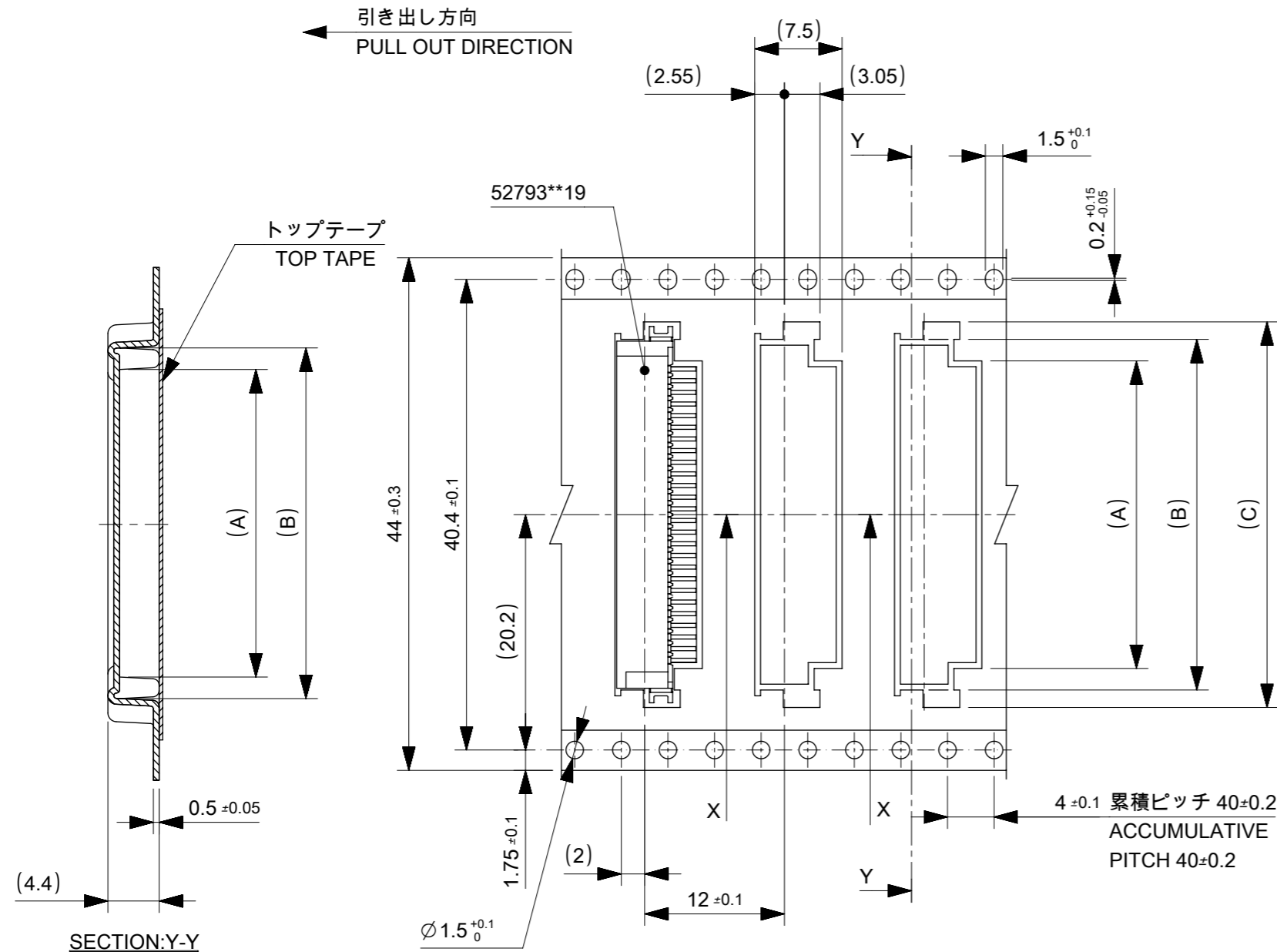
32mm 幅キャリアテープ
32mm WIDTH CARRIER TAPE

32	37.4	33.4	23.1	20.1	16.4	527931670	16
			22.1	19.1	15.4	527931570	15
			21.1	18.1	14.4	527931470	14
			20.1	17.1	13.4	527931370	13
			19.1	16.1	12.4	527931270	12
キャリアテープ幅 CARRIER TAPE WIDTH	E	D	(C)	(B)	(A)	MATERIAL NO.	極数 CIRCUIT

52793**70 MODEL NO.

THIS DRAWING CONTAINS INFORMATION THAT IS PROPRIETARY TO MOLEX ELECTRONIC TECHNOLOGIES, LLC AND SHOULD NOT BE USED WITHOUT WRITTEN PERMISSION

EC NO: 108819 DRWN: RLALSANGI CHK'D: KTAKAHASHI APPR: TKUSUHARA01	2016/02/03	GENERAL TOLERANCES (UNLESS SPECIFIED)		DIMENSION UNITS	SCALE	
	2016/09/28	ANGULAR TOL ± 3.0 °		MM	NTS	
	2016/09/29	4 PLACES	± 0.2	DRWN BY	DATE	
	3 PLACES ± 0.2 2 PLACES ± 0.25 1 PLACE ± 0.3 0 PLACES ± 0.3	3 PLACES	± 0.2	RLALSANGI	2016/02/03	
		2 PLACES	± 0.25	CHK'D BY	DATE	
1 PLACE		± 0.3	KTAKAHASHI	2016/09/28		
0 PLACES	± 0.3	APPR BY	DATE	TKUSUHARA01	2016/09/29	
DRAFT WHERE APPLICABLE MUST REMAIN WITHIN DIMENSIONS		DRAWING SIZE	THIRD ANGLE PROJECTION	A3		1.0 FFC CONN ASSY NON ZIF SMT RA UPPER CONTACT EMBSTP PKG -LEAD FREE-
PRODUCT CUSTOMER DRAWING			SERIES	MATERIAL NUMBER	CUSTOMER	GENERAL
DOCUMENT NUMBER			52793	527930000	DOC TYPE	PSD
SHEET NUMBER			3 OF 5		DOC PART	000



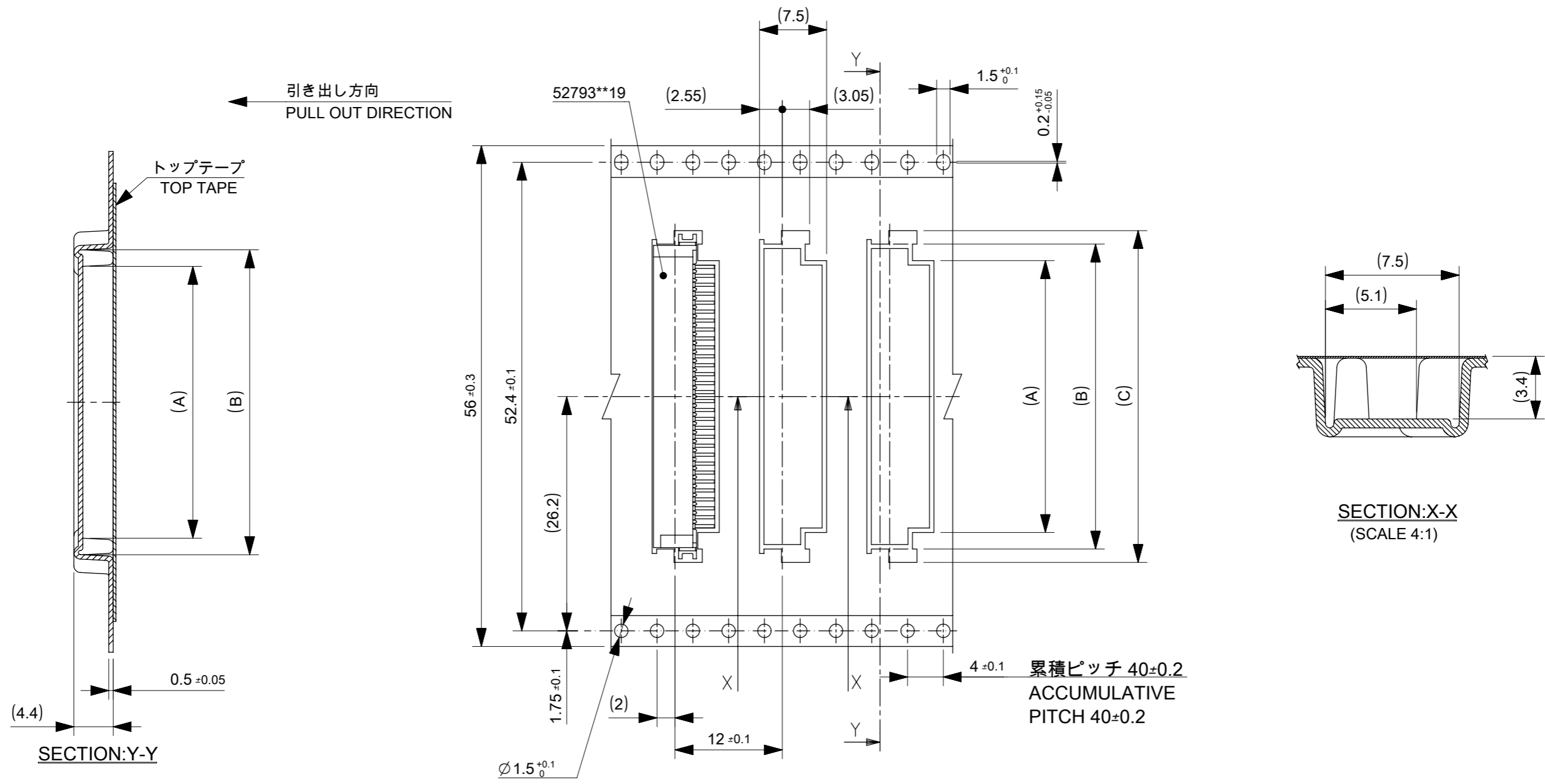
44	49.4	45.4	34.1	31.1	27.4	527932770	27		
			33.1	30.1	26.4	527932670	26		
			32.1	29.1	25.4	527932570	25		
			31.1	28.1	24.4	527932470	24		
			30.1	27.1	23.4	527932370	23		
			29.1	26.1	22.4	527932270	22		
			28.1	25.1	21.4	527932170	21		
			27.1	24.1	20.4	527932070	20		
			26.1	23.1	19.4	527931970	19		
			25.1	22.1	18.4	527931870	18		
			24.1	21.1	17.4	527931770	17		
			キャリアテープ幅 CARRIER TAPE WIDTH			E	D	(C)	(B)

44mm幅キャリアテープ
44mm WIDTH CARRIER TAPE

THIS DRAWING CONTAINS INFORMATION THAT IS PROPRIETARY TO MOLEX ELECTRONIC TECHNOLOGIES, LLC AND SHOULD NOT BE USED WITHOUT WRITTEN PERMISSION

EC NO: 108819 DRWN: RLALSANGI CHK'D: KTAKAHASHI APPR: TKUSUHARA01	2016/02/03	GENERAL TOLERANCES (UNLESS SPECIFIED)		DIMENSION UNITS	SCALE	
	2016/09/28	ANGULAR TOL ± 3.0 °		MM	NTS	
	2016/09/29	4 PLACES	± 0.2	DRWN BY	DATE	
		3 PLACES	± 0.2	RLALSANGI	2016/02/03	
		2 PLACES	± 0.25	CHK'D BY	DATE	
	1 PLACE	± 0.3	KTAKAHASHI	2016/09/28		
	0 PLACES	± 0.3	APPR BY	DATE		
			TKUSUHARA01	2016/09/29		
DRAFT WHERE APPLICABLE MUST REMAIN WITHIN DIMENSIONS			DRAWING SIZE	THIRD ANGLE PROJECTION		
A	REV		A3			

1.0 FFC CONN ASSY NON ZIF SMT RA UPPER CONTACT EMBSTP PKG -LEAD FREE-			
PRODUCT CUSTOMER DRAWING			
SERIES	MATERIAL NUMBER	CUSTOMER	
52793		GENERAL	
DOCUMENT NUMBER	DOC TYPE	DOC PART	SHEET NUMBER
527930000	PSD	000	4 OF 5



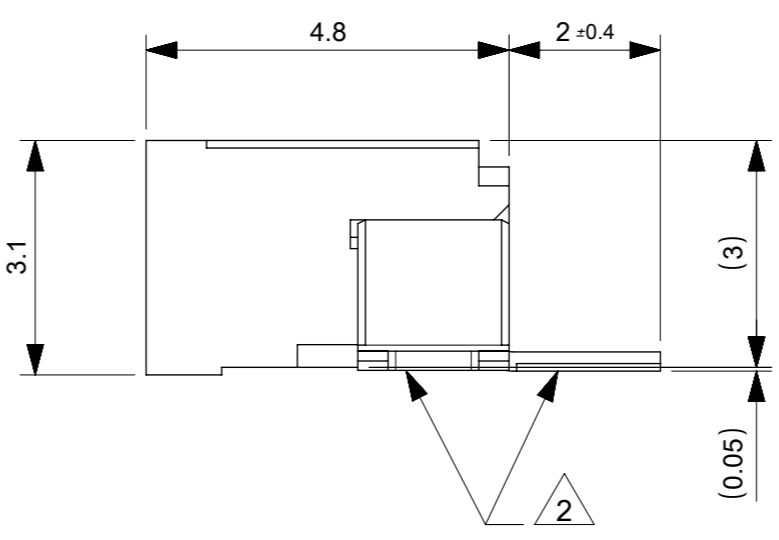
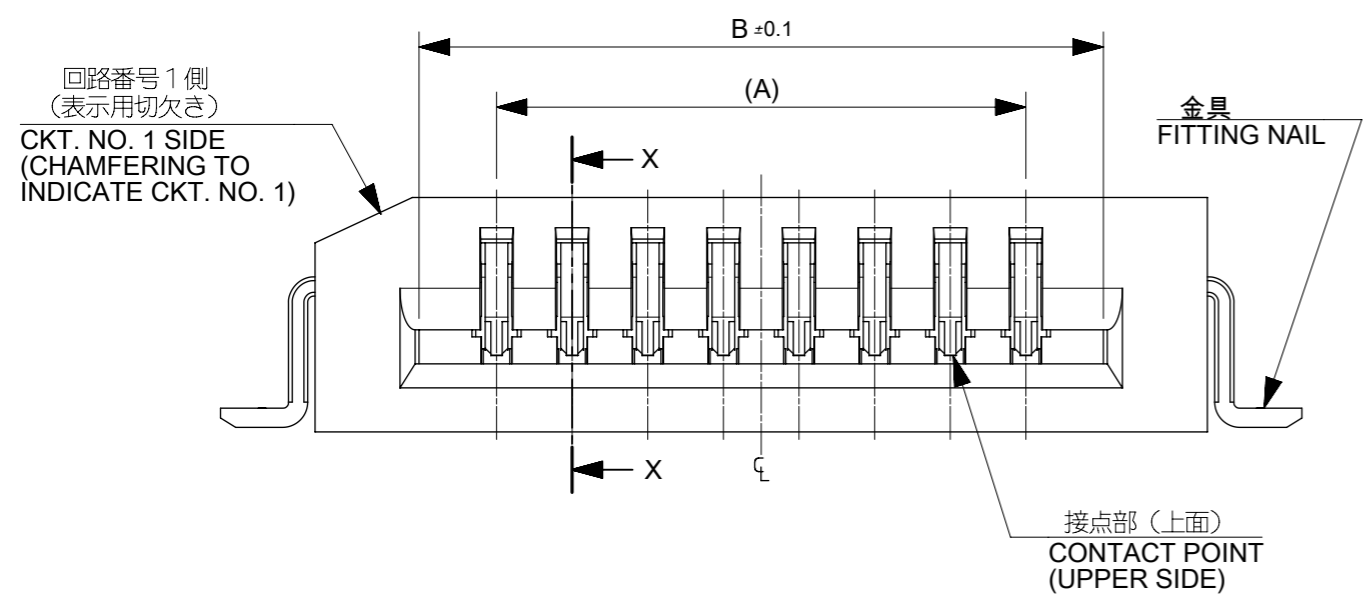
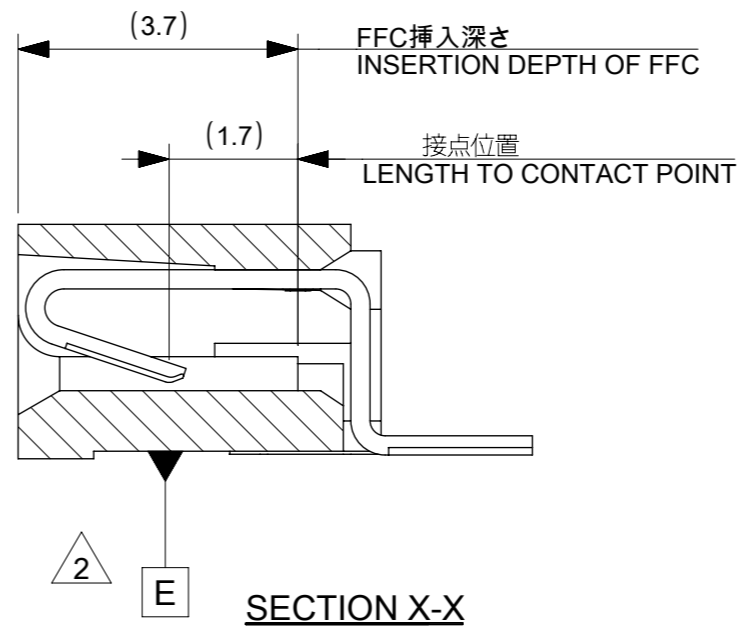
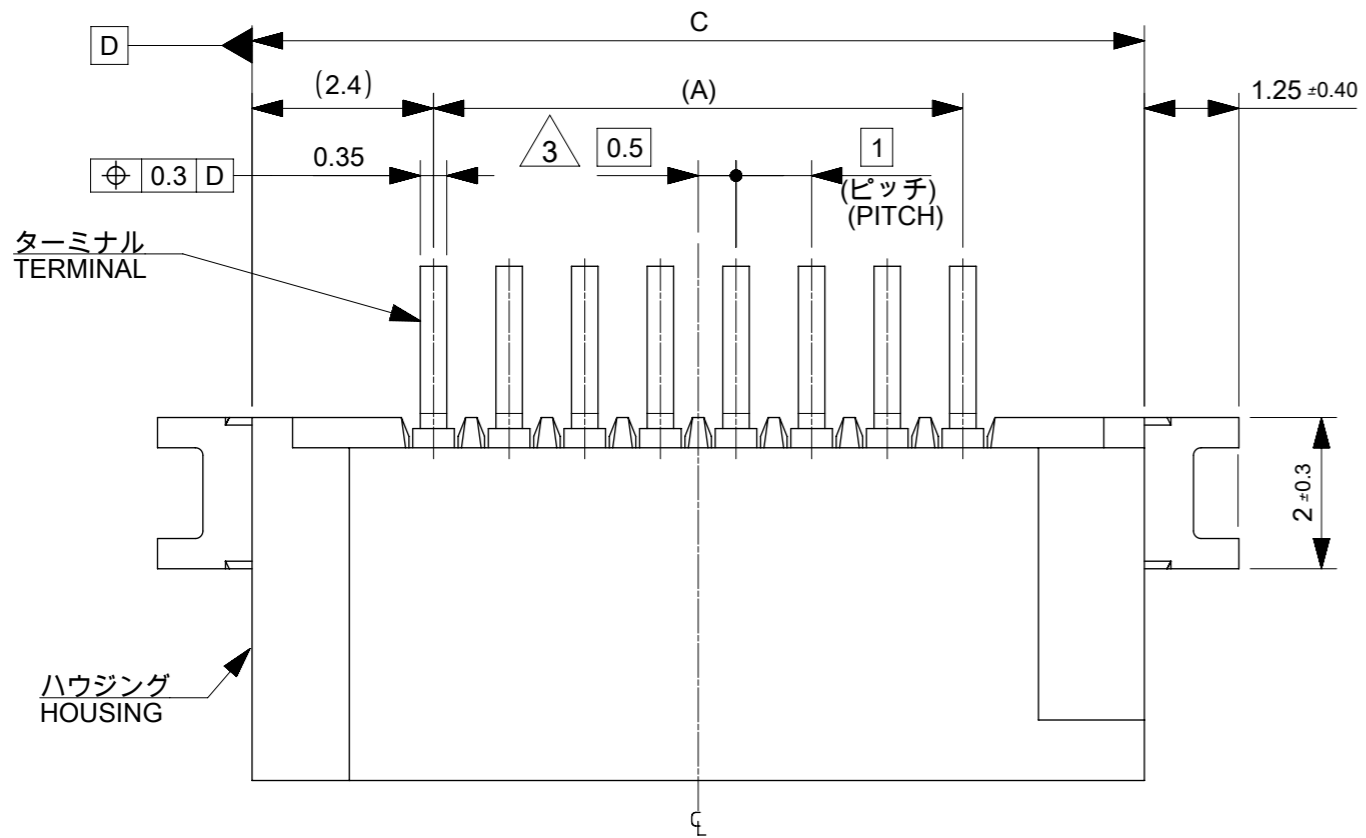
56mm 幅キャリアテープ
56mm WIDTH CARRIER TAPE

56	61.4	57.4	37.1	34.1	30.4	527933070	30
			36.1	33.1	29.4	527932970	29
			35.1	32.1	28.4	527932870	28
キャリアテープ幅 CARRIER TAPE WIDTH	E	D	(C)	(B)	(A)	MATERIAL NO.	極数 CIRCUIT

52793**70 MODEL NO.

THIS DRAWING CONTAINS INFORMATION THAT IS PROPRIETARY TO MOLEX ELECTRONIC TECHNOLOGIES, LLC AND SHOULD NOT BE USED WITHOUT WRITTEN PERMISSION

EC NO: 108819 DRWN: RLALSANGI CHK'D: KTAKAHASHI APPR: TKUSUHARA01	2016/02/03	GENERAL TOLERANCES (UNLESS SPECIFIED)		DIMENSION UNITS	SCALE				
	2016/09/28	ANGULAR TOL ± 3.0 °		MM	NTS				
	2016/09/29	4 PLACES	± 0.2	DRWN BY	DATE				
	DRAFT WHERE APPLICABLE MUST REMAIN WITHIN DIMENSIONS	3 PLACES	± 0.2	RLALSANGI	2016/02/03				
		2 PLACES	± 0.25	CHK'D BY	DATE				
1 PLACE		± 0.3	KTAKAHASHI	2016/09/28					
		0 PLACES	± 0.3	APPR BY	DATE				
				TKUSUHARA01	2016/09/29	PRODUCT CUSTOMER DRAWING			
				DRAWING SIZE	THIRD ANGLE PROJECTION				
				A3					
						SERIES	MATERIAL NUMBER	CUSTOMER	
						52793		GENERAL	
						DOCUMENT NUMBER	DOC TYPE	DOC PART	SHEET NUMBER
						527930000	PSD	000	5 OF 5



33.8	31.05	29	527933019	30
32.8	30.05	28	527932919	29
31.8	29.05	27	527932819	28
30.8	28.05	26	527932719	27
29.8	27.05	25	527932619	26
28.8	26.05	24	527932519	25
27.8	25.05	23	527932419	24
26.8	24.05	22	527932319	23
25.8	23.05	21	527932219	22
24.8	22.05	20	527932119	21
23.8	21.05	19	527932019	20
22.8	20.05	18	527931919	19
21.8	19.05	17	527931819	18
20.8	18.05	16	527931719	17
19.8	17.05	15	527931619	16
18.8	16.05	14	527931519	15
17.8	15.05	13	527931419	14
16.8	14.05	12	527931319	13
15.8	13.05	11	527931219	12
14.8	12.05	10	527931119	11
13.8	11.05	9	527931019	10
12.8	10.05	8	527930919	9
11.8	9.05	7	527930819	8
10.8	8.05	6	527930719	7
9.8	7.05	5	527930619	6
8.8	6.05	4	527930519	5
7.8	5.05	3	527930419	4
6.8	4.05	2	527930319	3
C	B	A	MATERIAL NO.	極数 CIRCUIT

THIS DRAWING CONTAINS INFORMATION THAT IS PROPRIETARY TO MOLEX ELECTRONIC TECHNOLOGIES, LLC AND SHOULD NOT BE USED WITHOUT WRITTEN PERMISSION

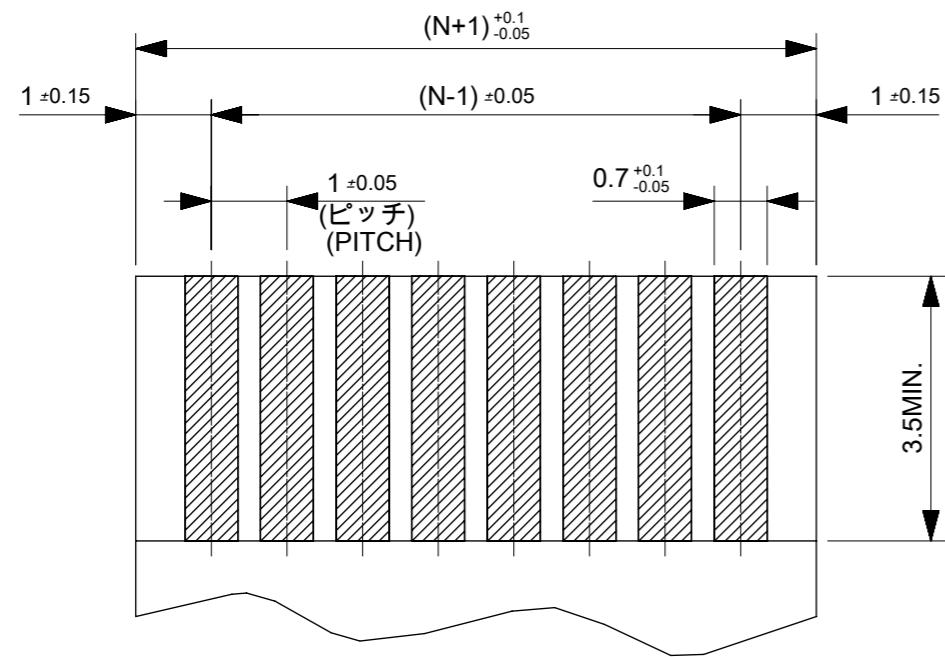
2016/01/19	GENERAL TOLERANCES (UNLESS SPECIFIED)	DIMENSION UNITS	SCALE
2016/09/28	ANGULAR TOL ± 3.0 °	MM	10:1
2016/09/29	4 PLACES ± 0.2	DRWN BY	DATE
EC NO: 108819 DRWN: GB CHK'D: KTAKAHASHI APPR: TKUSUHARA01	3 PLACES ± 0.2	GB	2016/01/19
	2 PLACES ± 0.25	CHK'D BY	DATE
	1 PLACE ± 0.3	KTAKAHASHI	2016/09/28
	0 PLACES ± 0.3	APPR BY	DATE
		TKUSUHARA01	2016/09/29
	DRAFT WHERE APPLICABLE MUST REMAIN WITHIN DIMENSIONS	DRAWING SIZE	THIRD ANGLE PROJECTION
A		A3	

molex[®]

1.0 FFC CONN NON ZIF SMT R/A (UPPER CONTACT) -LEAD FREE-

PRODUCT CUSTOMER DRAWING

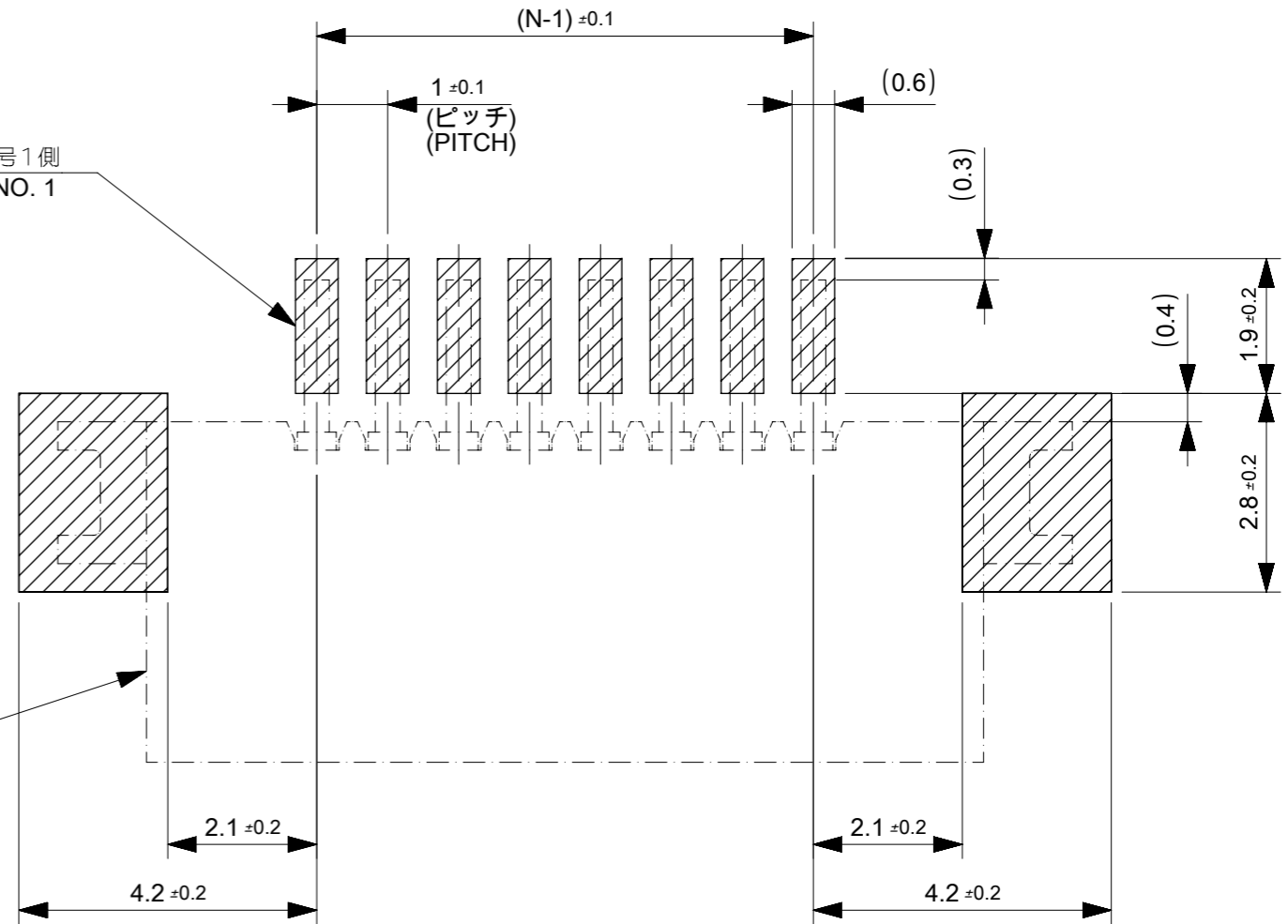
SERIES	MATERIAL NUMBER	CUSTOMER	
52793		GENERAL	
DOCUMENT NUMBER		DOC TYPE	DOC PART
527931000		PSD	000
SHEET NUMBER		1 OF 2	



(仕上がり厚さ0.3 ±0.03)
THICKNESS
適合FPC推奨寸法
APPLICABLE FPC
RECOMMENDED DIMENSION

回路番号1側
CKT. NO. 1
SIDE

コネクタ位置
CONNECTOR
POSITION



参考基板レイアウト (マウント面)
RECOMMENDED P.C. BOARD
PATTERN DIMENSION. (REF.)
(MOUNTING AREA)

注記 NOTES:

1. 使用材料 MATERIAL
ハウジング: PPS, UL94V-0
ターミナル: リン青銅 (t=0.25)
メッキ: ニッケル下地錫ピスマスメッキ
金具: リン青銅 (t=0.25)
メッキ: ニッケル下地純錫メッキ
HOUSING : PPS, UL94V-0
TERMINAL : PHOSPHOR BRONZE
PLATING : Sn-Bi OVER Ni
FITTING NAIL: PHOSPHOR BRONZE
PLATING : Sn OVER Ni
2. 基準面 [E] からの溶剤テールとフィッティングネイルの半田付け面のズレ量は、
上方向に0.1 MAX. 下方向0.15 MAX. とする。
MISALIGNMENT OF SOLDER TAIL AND FITTING NAIL FROM [E]
: UPPER DIRECTION 0.1 MAX., LOWER DIRECTION 0.15 MAX..
3. 偶数極に適用。
APPLY FOR EVEN CKT..
4. 本製品は 52793 **10 の鉛フリー品である。
THIS PRODUCT IS LEAD FREE OF 52793**10.

THIS DRAWING CONTAINS INFORMATION THAT IS PROPRIETARY TO MOLEX ELECTRONIC TECHNOLOGIES, LLC AND SHOULD NOT BE USED WITHOUT WRITTEN PERMISSION

EC NO: 108819 DRWN: GB CHK'D: KTAKAHASHI APPR: TKUSUHARA01	2016/01/19	2016/09/28	2016/09/29	GENERAL TOLERANCES (UNLESS SPECIFIED) ANGULAR TOL ± 3.0 ° 4 PLACES ± 0.2 3 PLACES ± 0.2 2 PLACES ± 0.25 1 PLACE ± 0.3 0 PLACES ± 0.3 DRAFT WHERE APPLICABLE MUST REMAIN WITHIN DIMENSIONS	DIMENSION UNITS	SCALE				
					MM	1:1		1.0 FFC CONN NON ZIF SMT R/A (UPPER CONTACT) -LEAD FREE-		
					DRWN BY	DATE			PRODUCT CUSTOMER DRAWING	
					GB	2016/01/19				
					CHK'D BY	DATE		SERIES	MATERIAL NUMBER	CUSTOMER
			KTAKAHASHI	2016/09/28	52793		GENERAL			
			APPR BY	DATE	DRAWING SIZE	THIRD ANGLE PROJECTION	DOCUMENT NUMBER	DOC TYPE	DOC PART	SHEET NUMBER
			TKUSUHARA01	2016/09/29	A3		527931000	PSD	000	2 OF 2



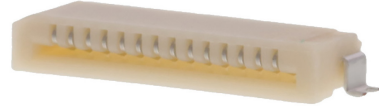
产品编号 : [527931470](#)

Product Description : 1.00mm Pitch Easy-On FFC/FPC Connector, Surface Mount, Right-Angle, Non-ZIF, Top Contact Style, 14 Circuits

系列号 : 52793

状态 : Active

Product Category : FFC / FPC Connectors



文件和资源

图纸

[图纸 527931470_sd.pdf](#)

3D 模型和设计文件

[3D模型 527931470_stp.zip](#)

规格

[包装规格 SPK-52793-001-001.pdf](#)

[产品规格 PS-52793-014-001.pdf](#)

产物环境合规

合规

GADSL/IMDS	Not Relevant
China RoHS	
EU ELV	Not Relevant
Low-Halogen Status	Not Low-Halogen per IEC 61249-2-21
REACH SVHC	Not Contained per D(2023)3788-DC (14 Jun 2023)
EU RoHS	Compliant per EU 2015/863

多部分产品合规性声明

- Eu RoHS
- REACH SVHC
- Low-Halogen

多部分行业合规性文件

- IPC 1752A Class C

- IPC 1752A Class D
- Molex Product Compliance Declaration
- IEC-62474
- chemSHERPA (xml)

欧盟 RoHS 合格证书

产品详情

常规

状态	活动
类别	FFC / FPC Connectors
系列	52793
说明	1.00mm Pitch Easy-On FFC/FPC Connector, Surface Mount, Right-Angle, Non-ZIF, Top Contact Style, 14 Circuits
产品系列	Easy-On FFC FPC Connectors
产品名称	Easy-On
UPC	822348126569

机构

CSA	LR19980
UL	E29179

电气

每触点最大电流	0.5A
电压 - 最大	50V

物理

驱动器类型	Non-ZIF
回路数 (已载入)	14
接触部位	顶部
耐用性 (插拔次数) - 最多次数	10
阻燃性	94V-0
插配长度	3.10mm
材料 - 金属	Phosphor Bronze
材料 - 接合部位电镀	Tin-Bismuth

材料 - 终端电镀	Tin-Bismuth
净重	451.486/mg
方向	Right Angle
包装形式	Embossed Tape on Reel
PCB 定位器	否
PCB安装	Surface Mount
PCB 保持力	是
间距 - 插配接口	1.00mm
间距 - 终端界面	1.00mm
最薄镀层 - 接合部位	1.016 μ m
最薄镀层 - 端接	1.016 μ m
PCB 极性	否
可堆叠的	否
运行温度范围	-20° to +85° C
导线/电缆型号	FFC/FPC