



产品编号 : 527931070

Product Description : 1.00mm Pitch Easy-On FFC/FPC Connector, Surface Mount, Right-Angle, Non-ZIF, Top Contact Style, 10 Circuits

系列号 : 52793

状态 : Active

Product Category : FFC / FPC Connectors

文件和资源

图纸

图纸 527931070_sd.pdf

3D 模型和设计文件

3D模型 527931070_stp.zip


规格

包装规格 SPK-52793-001-001.pdf

产品规格 PS-52793-014-001.pdf

产物环境合规

合规

GADSL/IMDS	Not Relevant
China RoHS	
EU ELV	Not Relevant
Low-Halogen Status	Not Low-Halogen per IEC 61249-2-21
REACH SVHC	Not Contained per D(2023)8585-DC (23 Jan 2024)
EU RoHS	Compliant per EU 2015/863

多部分产品合规性声明

- Eu RoHS
- REACH SVHC
- Low-Halogen

- IPC 1752A Class C
- IPC 1752A Class D
- Molex Product Compliance Declaration
- IEC-62474

产品详情

常规

状态	活动
类别	FFC / FPC Connectors
系列	52793
说明	1.00mm Pitch Easy-On FFC/FPC Connector, Surface Mount, Right-Angle, Non-ZIF, Top Contact Style, 10 Circuits
产品系列	Easy-On FFC FPC Connectors
产品名称	Easy-On
UPC	822348126521

机构

CSA	LR19980
UL	E29179

电气

每触点最大电流	0.5A
电压 - 最大	50V

物理

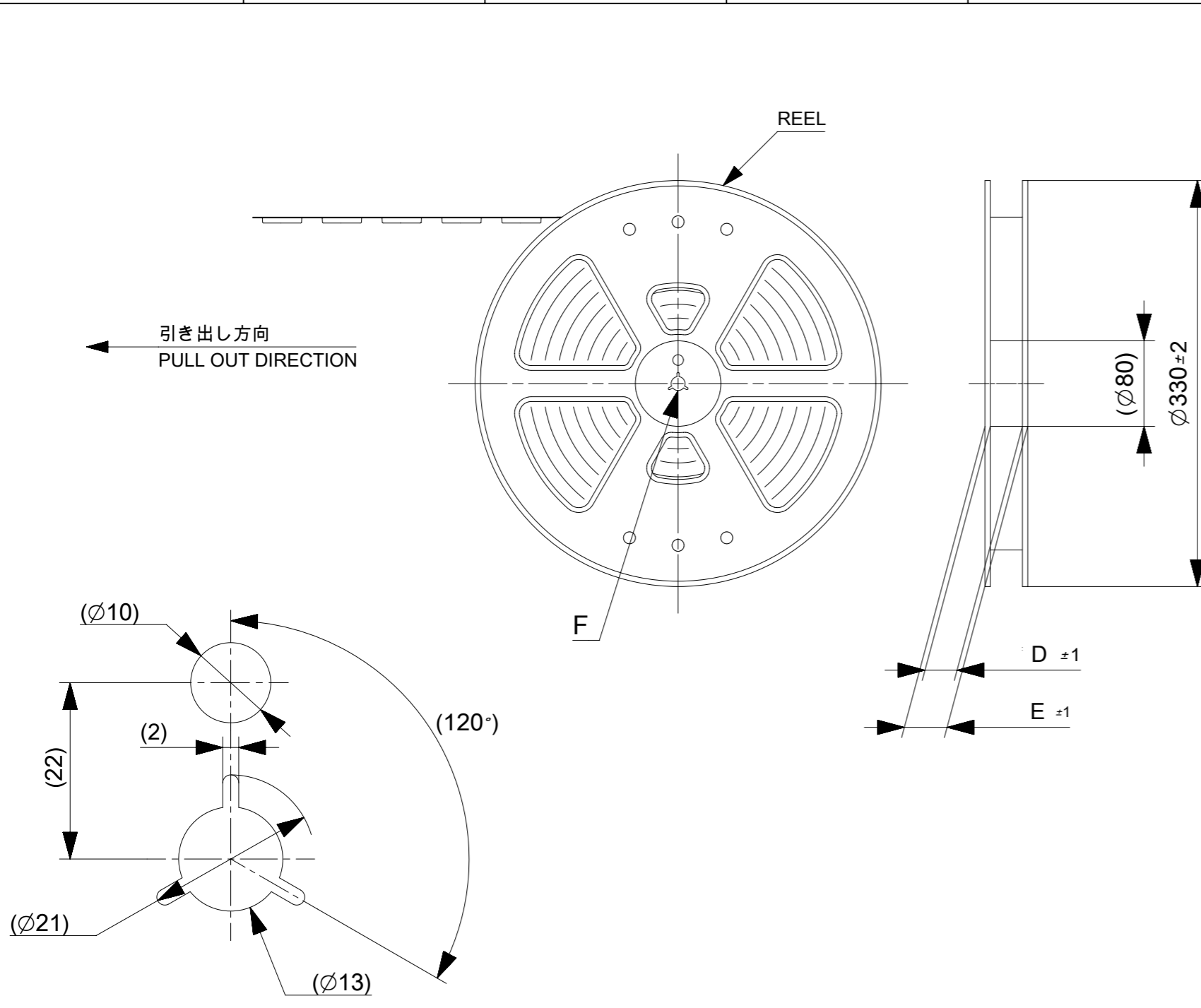
驱动器类型	Non-ZIF
回路数 (已载入)	10
接触部位	顶部
耐用性 (插拔次数) - 最多次数	10
阻燃性	94V-0
插配长度	3.10mm
材料 - 金属	Phosphor Bronze
材料 - 接合部位电镀	Tin-Bismuth
材料 - 终端电镀	Tin-Bismuth
净重	354.441/mg
方向	Right Angle

包装形式	Embossed Tape on Reel
PCB 定位器	否
PCB安装	Surface Mount
PCB 保持力	是
间距 - 插配接口	1.00mm
间距 - 终端界面	1.00mm
最薄镀层 - 接合部位	1.016µm
最薄镀层 - 端接	1.016µm
PCB 极性	否
可堆叠的	否
运行温度范围	-20° to +85° C
导线/电缆型号	FFC/FPC

可配插/可连接使用的产品

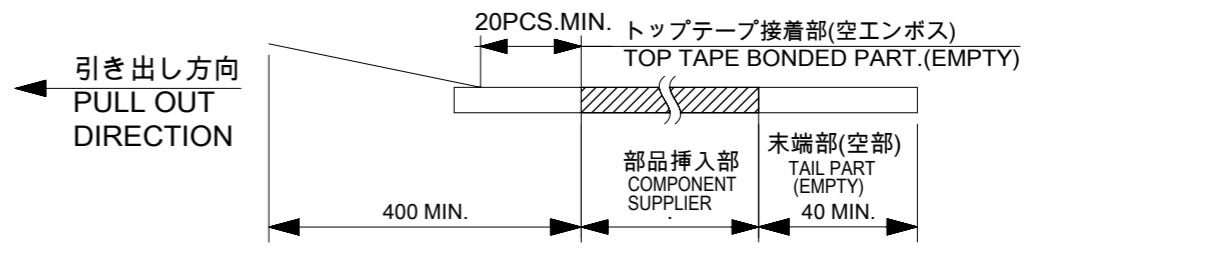
可配插部件

描述	产品编号
1.00mm Pitch Premo-Flex FFC Jumpers	<u>15167</u>
1.00mm Pitch Premo-Flex FFC Jumpers	<u>15267</u>
1.00mm Pitch Premo-Flex FFC Jumpers	<u>98267</u>

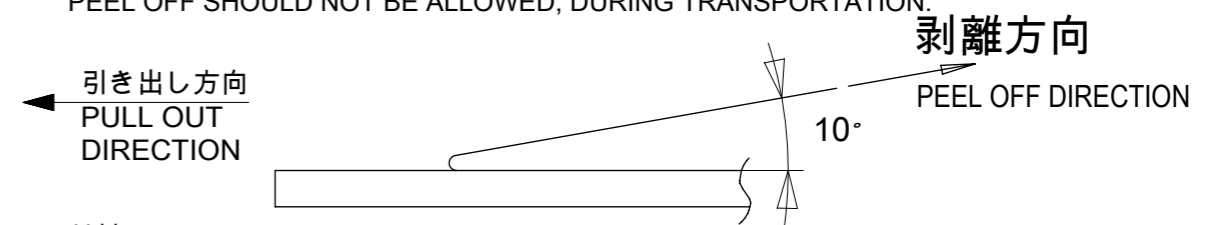


NOTES

1. 製品詳細寸法については、527931000 DOC PART 000図面を参照下さい。
RE DETAILED DIMENSION, SEE 527931000 DOC PART 000
2. 梱包数量：1000個 / リール
NUMBER OF CONNECTORS：1000 PCS/REEL
3. リードテープ長さ LEAD TAPE LENGTH



4. トップテープの剥離強度：0.1N-1.3N(10-130gf)(剥離方向は下図参照) 尚、本規格値は出荷時に適用。(但し、輸送時に剥離が発生しないこと。)
PEELING OFF FORCE OF TOP TAPE：0.1N-1.3N(10-130gf)
(PEELING DIRECTION AS SHOWN IN FOLLOWING FIG.)
THIS REQUIREMENT SHOULD BE APPLIED AT SHIPMENT.
PEEL OFF SHOULD NOT BE ALLOWED, DURING TRANSPORTATION.

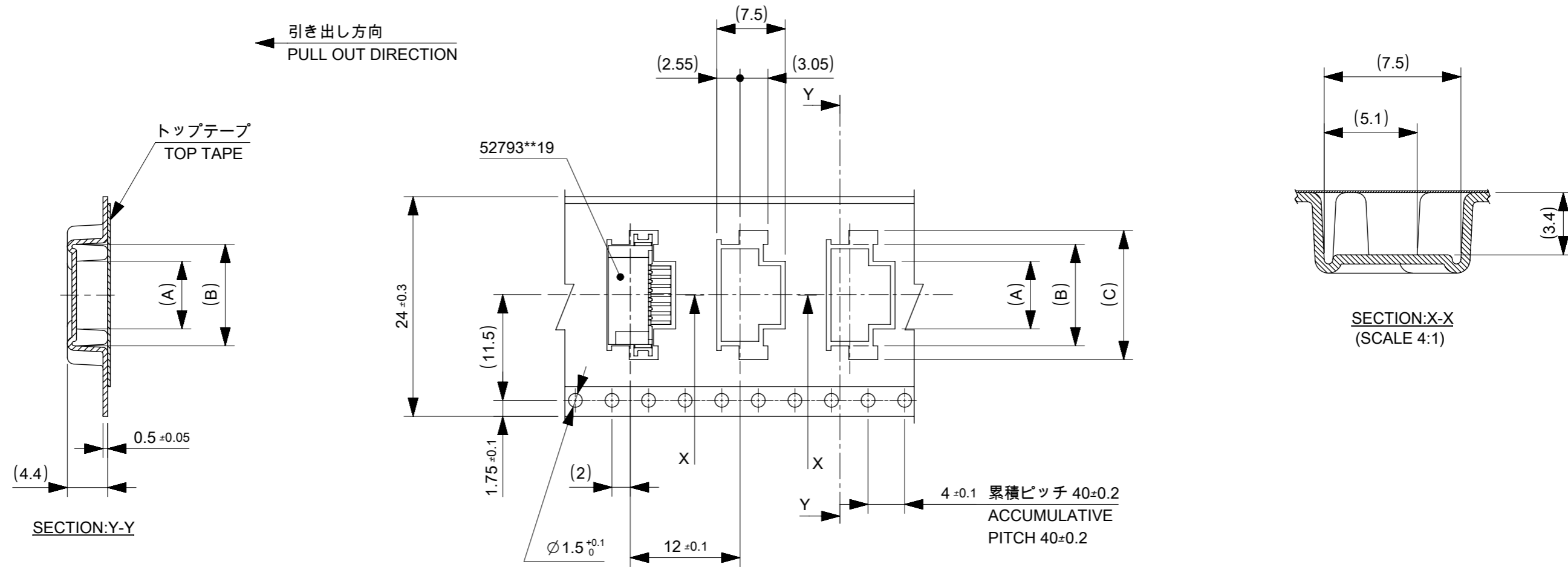


5. 材料(MATERIAL)
キャリアテープ(CARRIER TAPE)：ポリプロピレン(POLYPROPYLENE)
トップテープ(TOP TAPE)：PET, PE, PEF
リール(REEL)：ポリスチレン(PS) <リサイクル材を含む>
POLYSTYRENE(PS) <RECYCLE MATERIAL CONTAINED>

6. 本製品は 52793**90 の鉛フリー品である。
THIS PRODUCT IS LEAD FREE OF 52793**90.

52793**70 MODEL NO.

THIS DRAWING CONTAINS INFORMATION THAT IS PROPRIETARY TO MOLEX ELECTRONIC TECHNOLOGIES, LLC AND SHOULD NOT BE USED WITHOUT WRITTEN PERMISSION												
EC NO: 108819 DRWN: RLALSANGI CHK'D: KTAKAHASHI REVISION: 5 DATE: 2015/12/14	2016/02/03 2016/09/28 2016/09/29	GENERAL TOLERANCES (UNLESS SPECIFIED)			DIMENSION UNITS	SCALE						
		ANGULAR TOL ± 3.0 °			MM	NTS						
		4 PLACES	±	0.2	DRWN BY	DATE	1.0 FFC CONN ASSY NON ZIF SMT RA UPPER CONTACT EMBSTP PKG -LEAD FREE- PRODUCT CUSTOMER DRAWING					
		3 PLACES	±	0.2	RLALSANGI	2016/02/03						
		2 PLACES	±	0.25	CHK'D BY	DATE						
1 PLACE	±	0.3	KTAKAHASHI	2016/09/28								
0 PLACES	±	0.3	APPR BY	DATE	SERIES							
DRAFT WHERE APPLICABLE MUST REMAIN WITHIN DIMENSIONS			DRAWING SIZE		THIRD ANGLE PROJECTION		52793		MATERIAL NUMBER		CUSTOMER	
			A3				527930000		GENERAL		DOC TYPE DOC PART SHEET NUMBER	
							PSD		000		1 OF 5	



24mm幅キャリアテープ
24mm WIDTH CARRIER TAPE

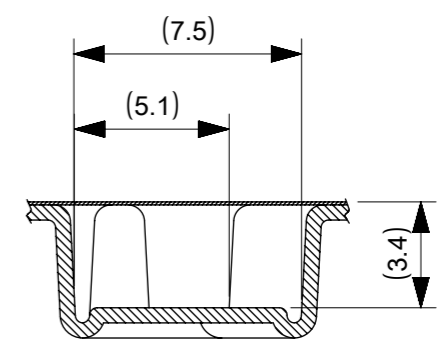
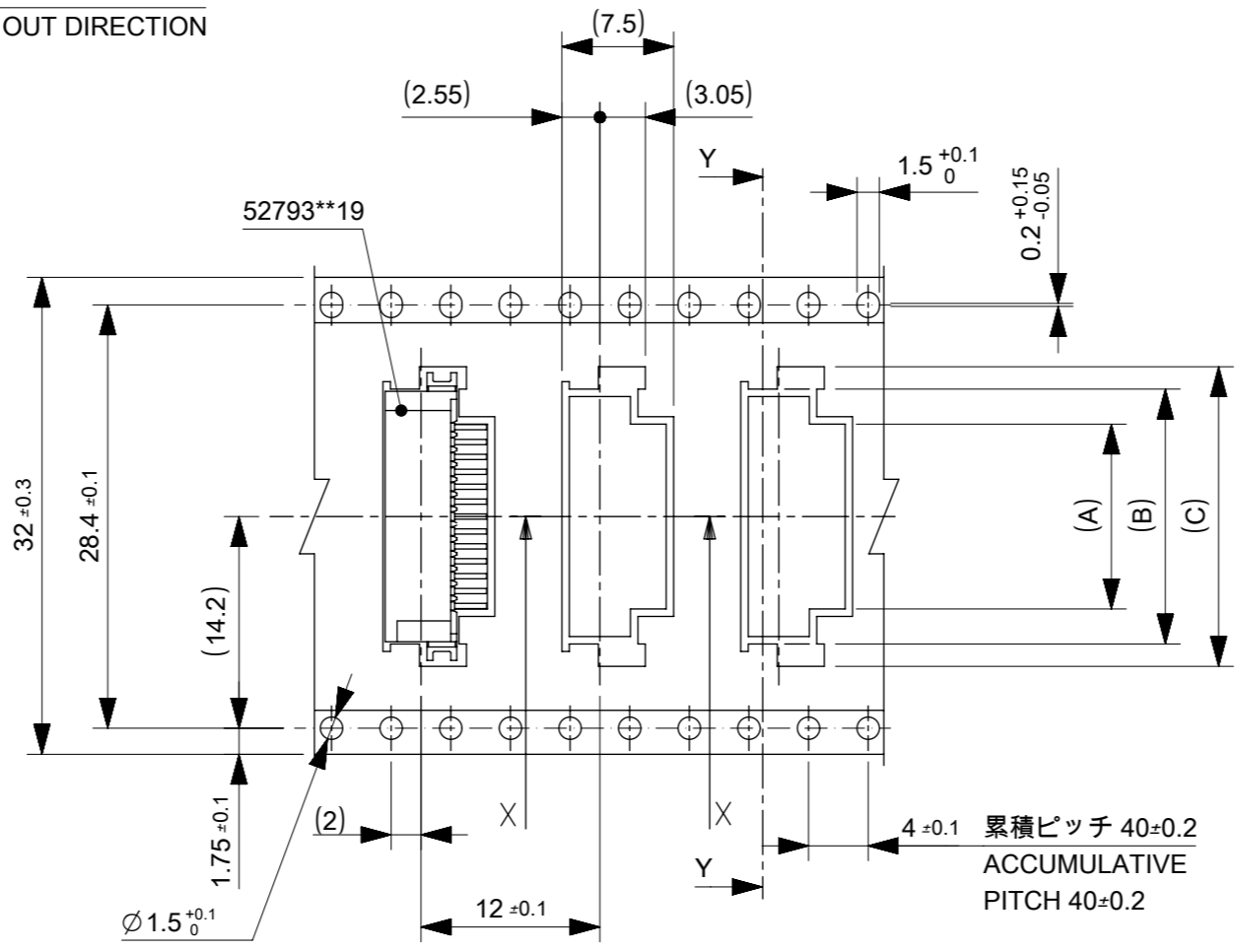
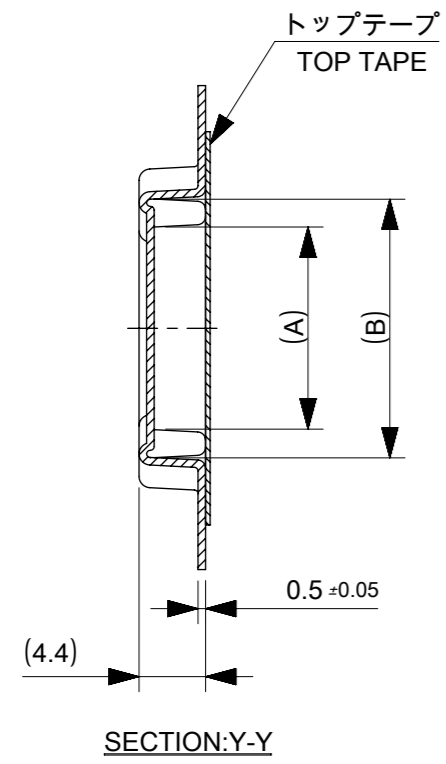
24	29.4	25.4	18.1	15.1	11.4	527931170	11	
			17.1	14.1	10.4	527931070	10	
			16.1	13.1	9.4	527930970	9	
			15.1	12.1	8.4	527930870	8	
			14.1	11.1	7.4	527930770	7	
			13.1	10.1	6.4	527930670	6	
			12.1	9.1	5.4	527930570	5	
			11.1	8.1	4.4	527930470	4	
キャリアテープ幅 CARRIER TAPE WIDTH		E	D	(C)	(B)	(A)	MATERIAL NO.	極数 CIRCUIT

52793**70 MODEL NO.

THIS DRAWING CONTAINS INFORMATION THAT IS PROPRIETARY TO MOLEX ELECTRONIC TECHNOLOGIES, LLC AND SHOULD NOT BE USED WITHOUT WRITTEN PERMISSION

EC NO: 108819 DRWN: RLALSANGI CHK'D: KTAKAHASHI APPR: TKUSUHARA01	2016/02/03	GENERAL TOLERANCES (UNLESS SPECIFIED)		DIMENSION UNITS	SCALE				
	2016/09/28	ANGULAR TOL ± 3.0 °		MM	NTS				
	2016/09/29	4 PLACES ± 0.2	3 PLACES ± 0.2	DRWN BY	DATE				
		2 PLACES ± 0.25	1 PLACE ± 0.3	RLALSANGI	2016/02/03				
		0 PLACES ± 0.3	0 PLACES ± 0.3	CHK'D BY	DATE				
			KTAKAHASHI	2016/09/28	1.0 FFC CONN ASSY NON ZIF SMT RA UPPER CONTACT EMBSTP PKG -LEAD FREE-				
DRAFT WHERE APPLICABLE MUST REMAIN WITHIN DIMENSIONS		APPR BY	DATE	PRODUCT CUSTOMER DRAWING					
		TKUSUHARA01	2016/09/29	SERIES		MATERIAL NUMBER			
				A3	THIRD ANGLE PROJECTION	CUSTOMER			
						GENERAL			
						DOCUMENT NUMBER	DOC TYPE	DOC PART	SHEET NUMBER
						52793	PSD	000	2 OF 5
						527930000			

引き出し方向
PULL OUT DIRECTION



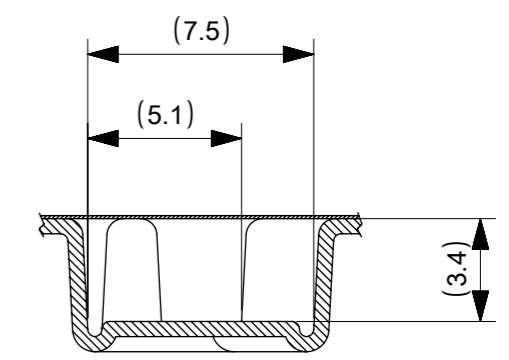
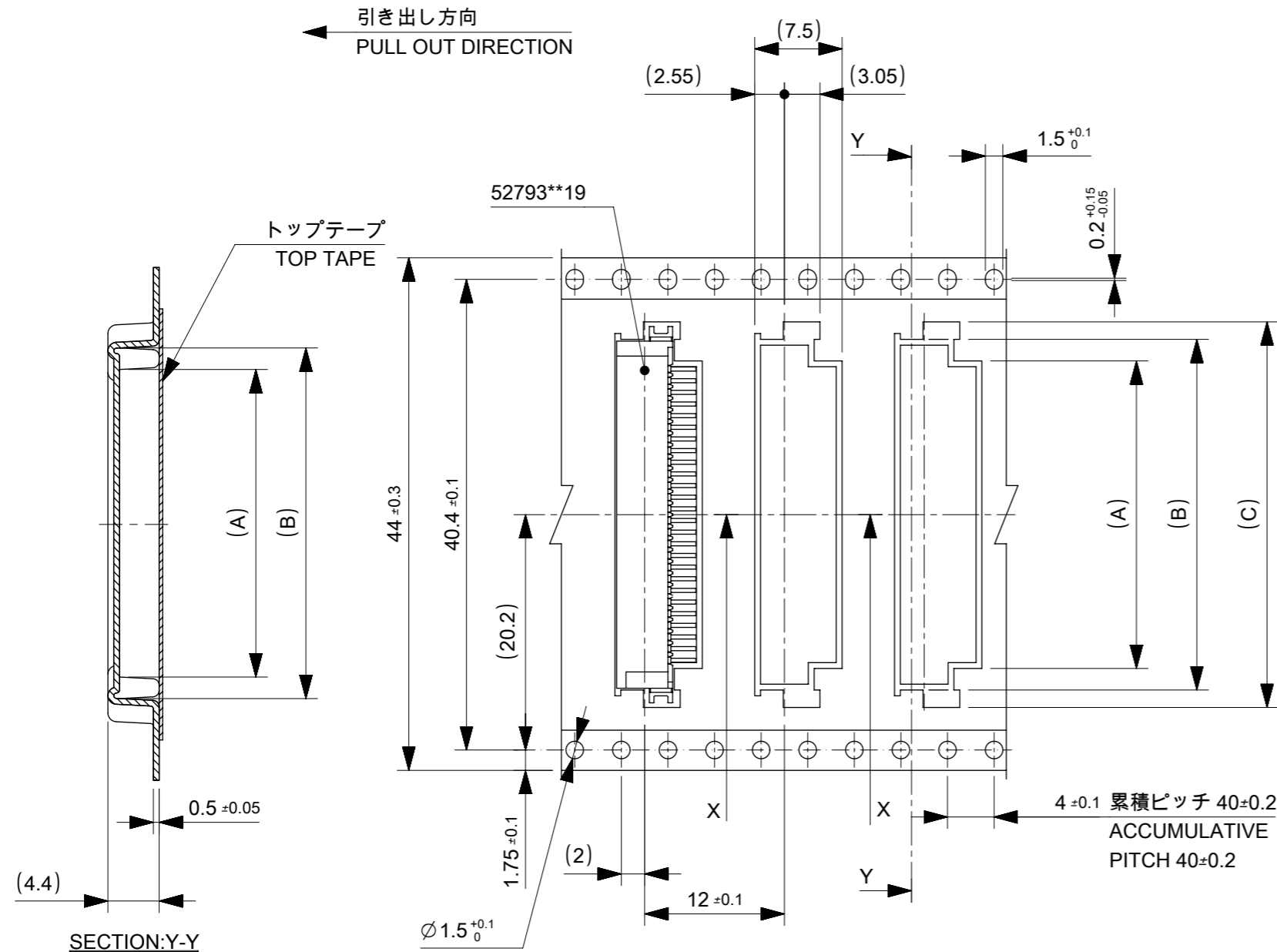
32mm 幅キャリアテープ
32mm WIDTH CARRIER TAPE

32	37.4	33.4	23.1	20.1	16.4	527931670	16	
			22.1	19.1	15.4	527931570	15	
			21.1	18.1	14.4	527931470	14	
			20.1	17.1	13.4	527931370	13	
			19.1	16.1	12.4	527931270	12	
キャリアテープ幅 CARRIER TAPE WIDTH		E	D	(C)	(B)	(A)	MATERIAL NO.	極数 CIRCUIT

52793**70 MODEL NO.

THIS DRAWING CONTAINS INFORMATION THAT IS PROPRIETARY TO MOLEX ELECTRONIC TECHNOLOGIES, LLC AND SHOULD NOT BE USED WITHOUT WRITTEN PERMISSION

EC NO: 108819 DRWN: RLALSANGI CHK'D: KTAKAHASHI APPR: TKUSUHARA01	2016/02/03	GENERAL TOLERANCES (UNLESS SPECIFIED)		DIMENSION UNITS	SCALE				
	2016/09/28	ANGULAR TOL ± 3.0 °		MM	NTS				
	2016/09/29	4 PLACES	± 0.2	DRWN BY	DATE				
		3 PLACES	± 0.2	RLALSANGI	2016/02/03				
		2 PLACES	± 0.25	CHK'D BY	DATE				
	1 PLACE	± 0.3	KTAKAHASHI	2016/09/28					
	0 PLACES	± 0.3	APPR BY	DATE					
			TKUSUHARA01	2016/09/29					
			DRAFT WHERE APPLICABLE MUST REMAIN WITHIN DIMENSIONS	DRAWING SIZE	THIRD ANGLE PROJECTION	1.0 FFC CONN ASSY NON ZIF SMT RA UPPER CONTACT EMBSTP PKG -LEAD FREE- PRODUCT CUSTOMER DRAWING			
			A3						
						SERIES	MATERIAL NUMBER	CUSTOMER	
						52793		GENERAL	
						DOCUMENT NUMBER	DOC TYPE	DOC PART	SHEET NUMBER
						527930000	PSD	000	3 OF 5



44mm幅キャリアテープ
44mm WIDTH CARRIER TAPE

44	49.4	45.4	34.1	31.1	27.4	527932770	27		
			33.1	30.1	26.4	527932670	26		
			32.1	29.1	25.4	527932570	25		
			31.1	28.1	24.4	527932470	24		
			30.1	27.1	23.4	527932370	23		
			29.1	26.1	22.4	527932270	22		
			28.1	25.1	21.4	527932170	21		
			27.1	24.1	20.4	527932070	20		
			26.1	23.1	19.4	527931970	19		
			25.1	22.1	18.4	527931870	18		
			24.1	21.1	17.4	527931770	17		
キャリアテープ幅 CARRIER TAPE WIDTH			E	D	(C)	(B)	(A)	MATERIAL NO.	極数 CIRCUIT

4 ±0.1 累積ピッチ 40±0.2
ACCUMULATIVE PITCH 40±0.2

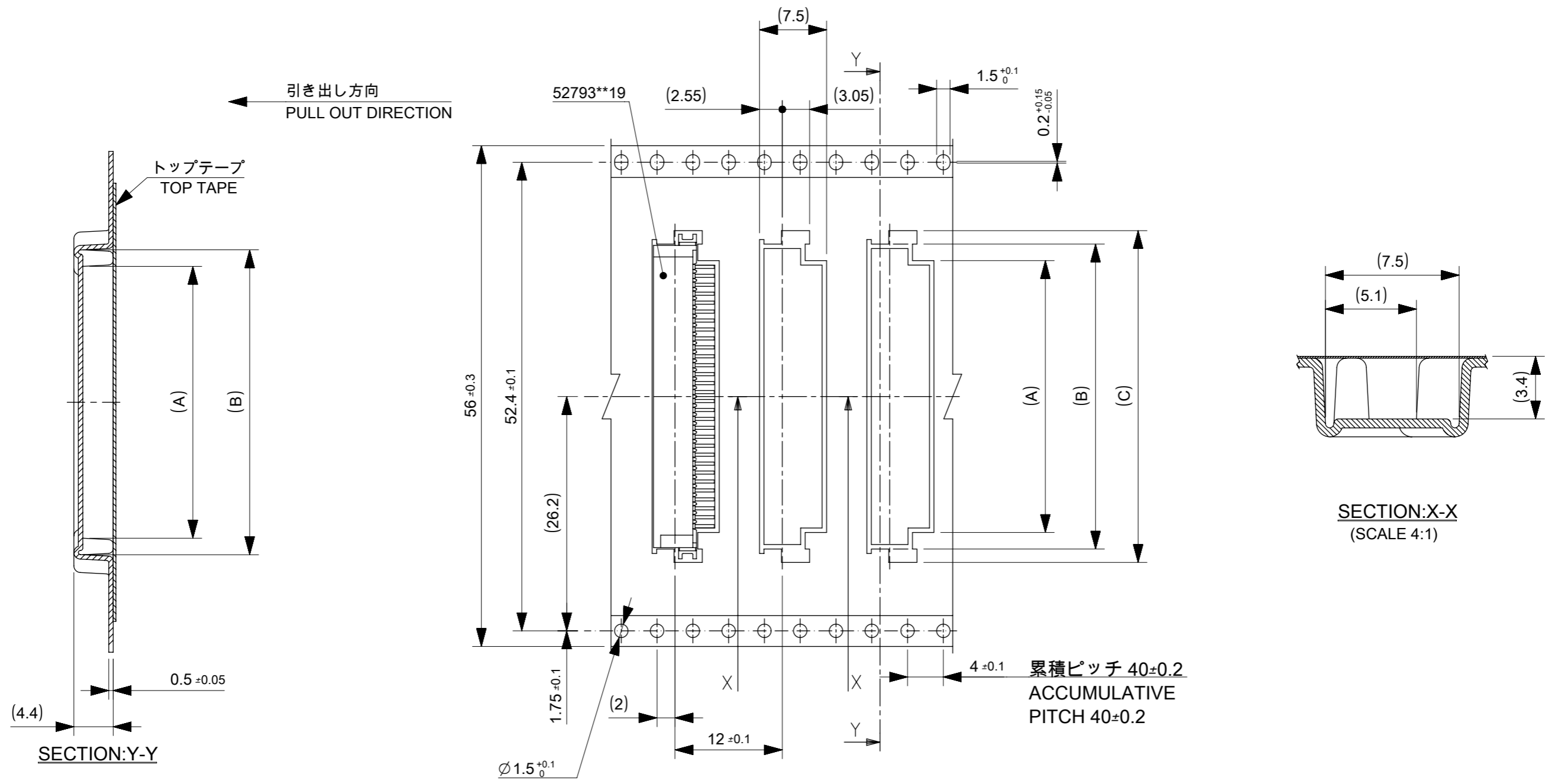
THIS DRAWING CONTAINS INFORMATION THAT IS PROPRIETARY TO MOLEX ELECTRONIC TECHNOLOGIES, LLC AND SHOULD NOT BE USED WITHOUT WRITTEN PERMISSION

EC NO: 108819 DRWN: RLALSANGI CHK'D: KTAKAHASHI APPR: TKUSUHARA01	2016/02/03	GENERAL TOLERANCES (UNLESS SPECIFIED)		DIMENSION UNITS	SCALE	
	2016/09/28	ANGULAR TOL ± 3.0 °		MM	NTS	
	2016/09/29	4 PLACES	± 0.2	DRWN BY	DATE	
		3 PLACES	± 0.2	RLALSANGI	2016/02/03	
		2 PLACES	± 0.25	CHK'D BY	DATE	
	1 PLACE	± 0.3	KTAKAHASHI	2016/09/28		
	0 PLACES	± 0.3	APPR BY	DATE		
			TKUSUHARA01	2016/09/29		
DRAFT WHERE APPLICABLE MUST REMAIN WITHIN DIMENSIONS			DRAWING SIZE	THIRD ANGLE PROJECTION		
A	REV		A3			

1.0 FFC CONN ASSY NON ZIF SMT RA
UPPER CONTACT EMBSTP PKG -LEAD FREE-

PRODUCT CUSTOMER DRAWING

SERIES	MATERIAL NUMBER	CUSTOMER	
52793		GENERAL	
DOCUMENT NUMBER	DOC TYPE	DOC PART	SHEET NUMBER
527930000	PSD	000	4 OF 5

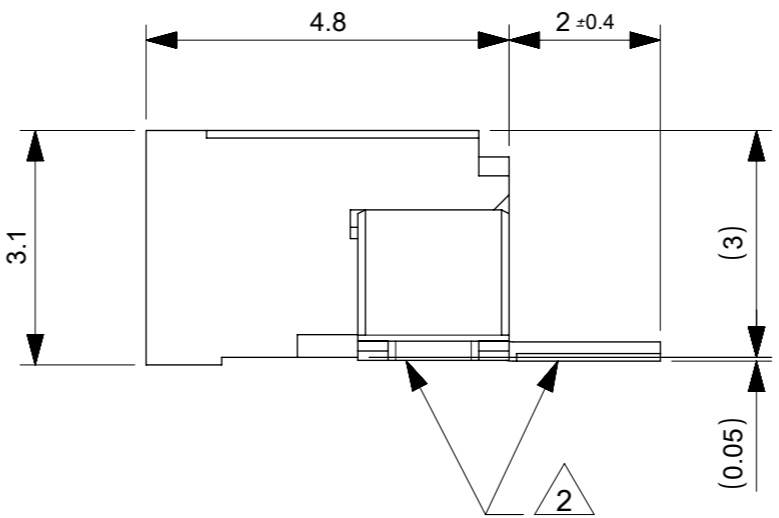
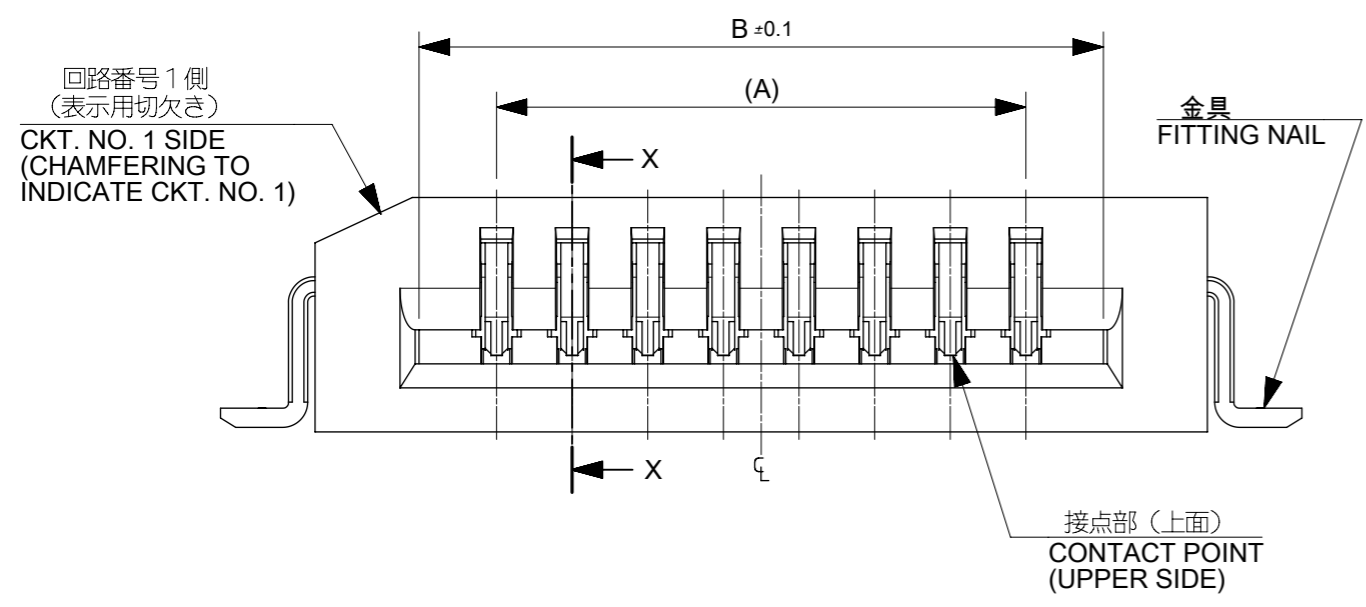
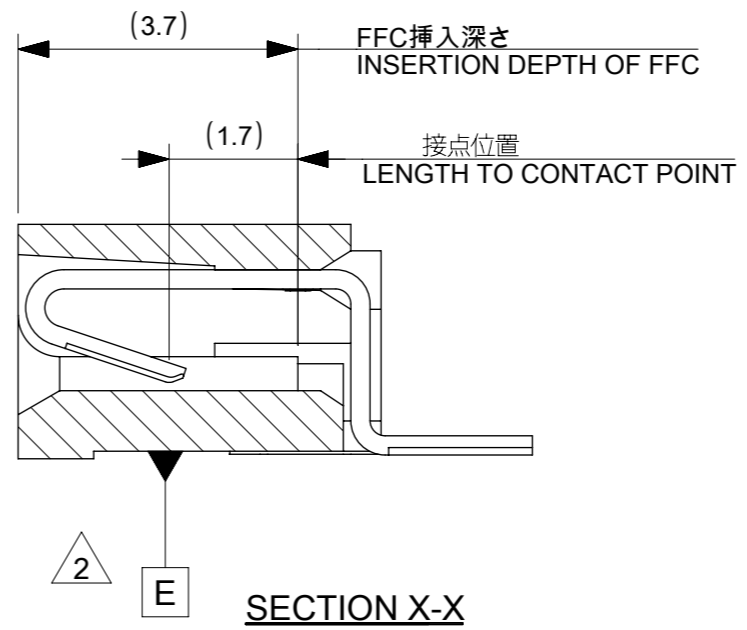
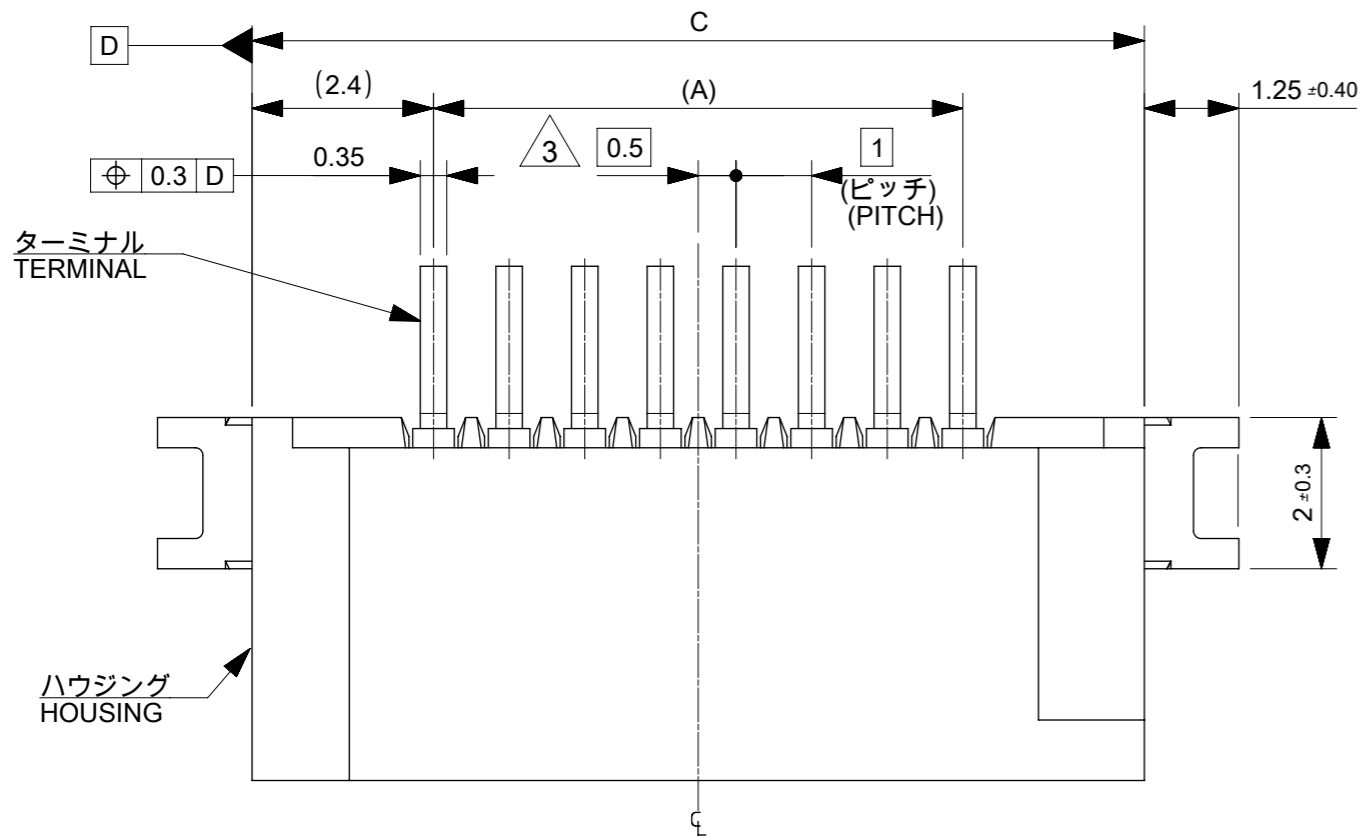


56mm 幅キャリアテープ
56mm WIDTH CARRIER TAPE

56	61.4	57.4	37.1	34.1	30.4	527933070	30
			36.1	33.1	29.4	527932970	29
			35.1	32.1	28.4	527932870	28
キャリアテープ幅 CARRIER TAPE WIDTH	E	D	(C)	(B)	(A)	MATERIAL NO.	極数 CIRCUIT
						52793**70	MODEL NO.

THIS DRAWING CONTAINS INFORMATION THAT IS PROPRIETARY TO MOLEX ELECTRONIC TECHNOLOGIES, LLC AND SHOULD NOT BE USED WITHOUT WRITTEN PERMISSION

EC NO: 108819 DRWN: RLALSANGI CHK'D: KTAKAHASHI APPR: TKUSUHARA01	2016/02/03	GENERAL TOLERANCES (UNLESS SPECIFIED)		DIMENSION UNITS	SCALE				
	2016/09/28	ANGULAR TOL ± 3.0 °		MM	NTS				
	2016/09/29	4 PLACES	± 0.2	DRWN BY	DATE				
		3 PLACES	± 0.2	RLALSANGI	2016/02/03				
		2 PLACES	± 0.25	CHK'D BY	DATE				
	1 PLACE	± 0.3	KTAKAHASHI	2016/09/28					
	0 PLACES	± 0.3	APPR BY	DATE					
			TKUSUHARA01	2016/09/29					
DRAFT WHERE APPLICABLE MUST REMAIN WITHIN DIMENSIONS			DRAWING SIZE	THIRD ANGLE PROJECTION		1.0 FFC CONN ASSY NON ZIF SMT RA UPPER CONTACT EMBSTP PKG -LEAD FREE-			
			A3						
			PRODUCT CUSTOMER DRAWING						
RELEASE STATUS		P1	RELEASE DATE	29.09.2016	01:01:06	SERIES	MATERIAL NUMBER	CUSTOMER	
						52793		GENERAL	
						DOCUMENT NUMBER	DOC TYPE	DOC PART	SHEET NUMBER
						527930000	PSD	000	5 OF 5



33.8	31.05	29	527933019	30
32.8	30.05	28	527932919	29
31.8	29.05	27	527932819	28
30.8	28.05	26	527932719	27
29.8	27.05	25	527932619	26
28.8	26.05	24	527932519	25
27.8	25.05	23	527932419	24
26.8	24.05	22	527932319	23
25.8	23.05	21	527932219	22
24.8	22.05	20	527932119	21
23.8	21.05	19	527932019	20
22.8	20.05	18	527931919	19
21.8	19.05	17	527931819	18
20.8	18.05	16	527931719	17
19.8	17.05	15	527931619	16
18.8	16.05	14	527931519	15
17.8	15.05	13	527931419	14
16.8	14.05	12	527931319	13
15.8	13.05	11	527931219	12
14.8	12.05	10	527931119	11
13.8	11.05	9	527931019	10
12.8	10.05	8	527930919	9
11.8	9.05	7	527930819	8
10.8	8.05	6	527930719	7
9.8	7.05	5	527930619	6
8.8	6.05	4	527930519	5
7.8	5.05	3	527930419	4
6.8	4.05	2	527930319	3
C	B	A	MATERIAL NO.	極数 CIRCUIT

THIS DRAWING CONTAINS INFORMATION THAT IS PROPRIETARY TO MOLEX ELECTRONIC TECHNOLOGIES, LLC AND SHOULD NOT BE USED WITHOUT WRITTEN PERMISSION

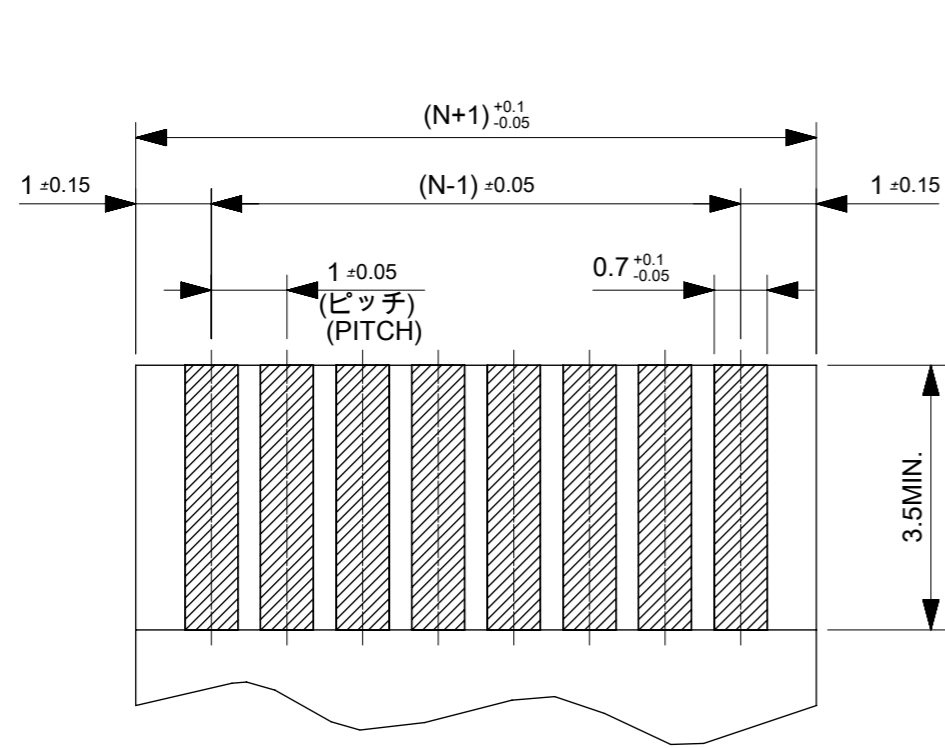
EC NO: 108819 DRWN: GB CHK'D: KTAKAHASHI APPR: TKUSUHARA01	2016/01/19	GENERAL TOLERANCES (UNLESS SPECIFIED)	DIMENSION UNITS	SCALE
	2016/09/28	ANGULAR TOL ± 3.0 °	MM	10:1
	2016/09/29	4 PLACES ± 0.2	DRWN BY	DATE
		3 PLACES ± 0.2	GB	2016/01/19
		2 PLACES ± 0.25	CHK'D BY	DATE
	1 PLACE ± 0.3	KTAKAHASHI	2016/09/28	
	0 PLACES ± 0.3	APPR BY	DATE	
		TKUSUHARA01	2016/09/29	
		DRAFT WHERE APPLICABLE MUST REMAIN WITHIN DIMENSIONS	DRAWING SIZE	THIRD ANGLE PROJECTION
			A3	

molex[®]

1.0 FFC CONN NON ZIF SMT R/A
(UPPER CONTACT) -LEAD FREE-

PRODUCT CUSTOMER DRAWING

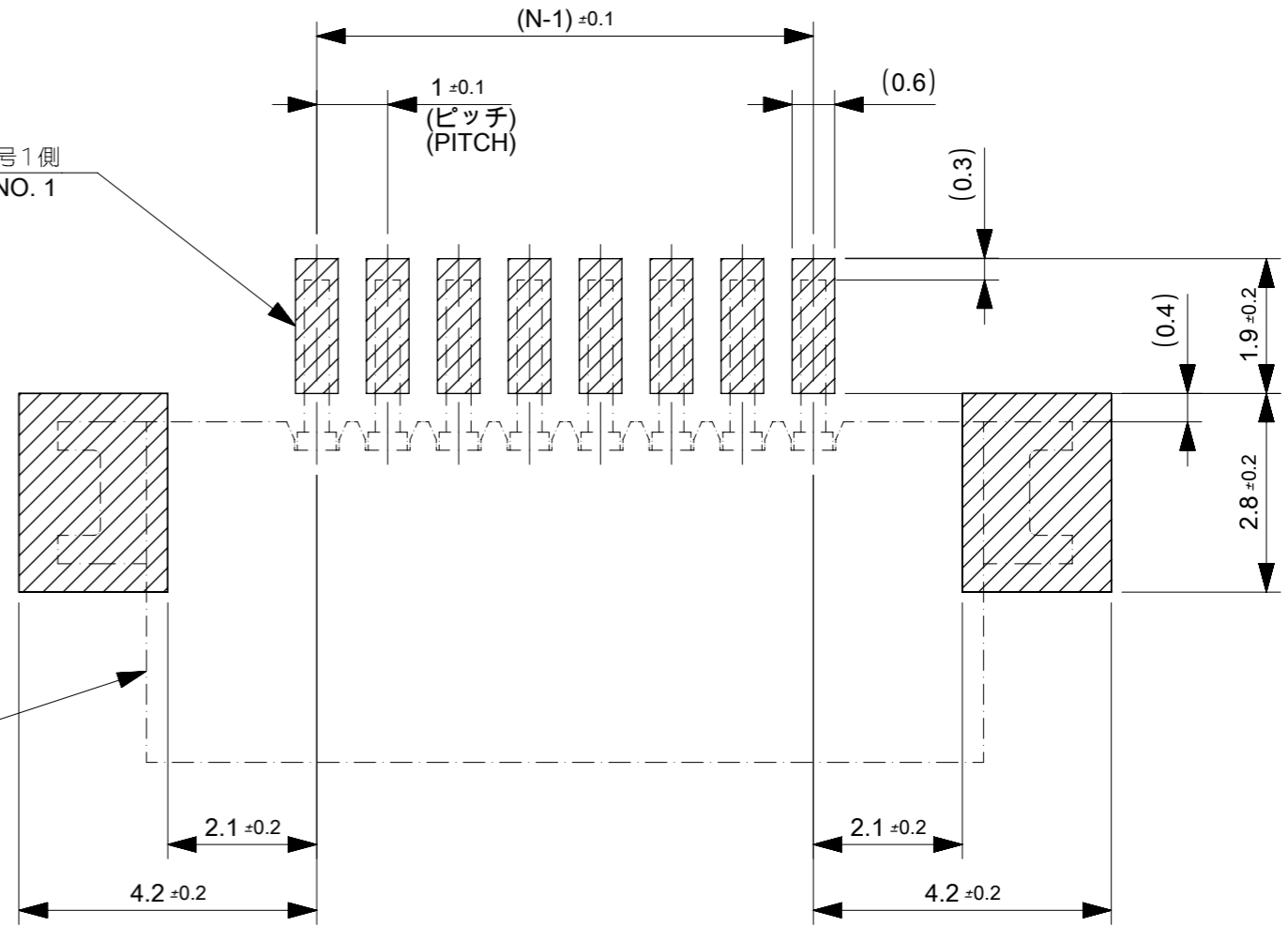
SERIES	MATERIAL NUMBER	CUSTOMER
52793		GENERAL
DOCUMENT NUMBER	DOC TYPE	DOC PART
527931000	PSD	000
SHEET NUMBER	1 OF 2	



(仕上がり厚さ0.3 ±0.03)
THICKNESS
適合FPC推奨寸法
APPLICABLE FPC
RECOMMENDED DIMENSION

回路番号1側
CKT. NO. 1
SIDE

コネクタ位置
CONNECTOR
POSITION



参考基板レイアウト (マウント面)
RECOMMENDED P.C. BOARD
PATTERN DIMENSION. (REF.)
(MOUNTING AREA)

注記 NOTES:

1. 使用材料 MATERIAL

ハウジング: PPS, UL94V-0	HOUSING: PPS, UL94V-0
ターミナル: リン青銅 (t=0.25)	TERMINAL: PHOSPHOR BRONZE
メッキ: ニッケル下地錫ピスマスメッキ	PLATING: Sn-Bi OVER Ni
金具: リン青銅 (t=0.25)	FITTING NAIL: PHOSPHOR BRONZE
メッキ: ニッケル下地純錫メッキ	PLATING: Sn OVER Ni
2. 基準面 [E] からの溶剤テールとフィッティングネイルの半田付け面のズレ量は、上方向に0.1 MAX.、下方向0.15 MAX.とする。
MISALIGNMENT OF SOLDER TAIL AND FITTING NAIL FROM [E]
: UPPER DIRECTION 0.1 MAX., LOWER DIRECTION 0.15 MAX..
3. 偶数極に適用。
APPLY FOR EVEN CKT..
4. 本製品は 52793 **10 の鉛フリー品である。
THIS PRODUCT IS LEAD FREE OF 52793**10.

THIS DRAWING CONTAINS INFORMATION THAT IS PROPRIETARY TO MOLEX ELECTRONIC TECHNOLOGIES, LLC AND SHOULD NOT BE USED WITHOUT WRITTEN PERMISSION

EC NO: 108819 DRWN: GB CHK'D: KTAKAHASHI APPR: TKUSUHARA01	GENERAL TOLERANCES (UNLESS SPECIFIED)		DIMENSION UNITS MM	SCALE 1:1						
	ANGULAR TOL ± 3.0 °		DRWN BY GB	DATE 2016/01/19		1.0 FFC CONN NON ZIF SMT R/A (UPPER CONTACT) -LEAD FREE-				
	4 PLACES ± 0.2	3 PLACES ± 0.2	CHK'D BY KTAKAHASHI	DATE 2016/09/28			PRODUCT CUSTOMER DRAWING			
	2 PLACES ± 0.25	1 PLACE ± 0.3	APPR BY TKUSUHARA01	DATE 2016/09/29				SERIES 52793	MATERIAL NUMBER	CUSTOMER GENERAL
	0 PLACES ± 0.3	DRAFT WHERE APPLICABLE MUST REMAIN WITHIN DIMENSIONS		DRAWING SIZE A3				THIRD ANGLE PROJECTION 	DOCUMENT NUMBER 527931000	DOC TYPE PSD