



产品编号 : 528080970

Product Description : 1.00mm Pitch Easy-On FFC/FPC Connector, Surface Mount, Vertical, Non-ZIF, Tin (Sn) Plating, 9 Circuits

系列号 : 52808

状态 : Active

Product Category : FFC / FPC Connectors

文件和资源

图纸

图纸 528080970_sd.pdf

3D 模型和设计文件

3D模型 528080970_stp.zip


规格

包装规格 528089200-200.pdf

产品规格 PS-52808-004-001.pdf

产物环境合规

合规

| | |
|--------------------|---|
| GADSL/IMDS | Not Relevant |
| China RoHS |  |
| EU ELV | Not Relevant |
| Low-Halogen Status | Not Low-Halogen per IEC 61249-2-21 |
| REACH SVHC | Not Contained per D(2023)8585-DC (23 Jan 2024) |
| EU RoHS | Compliant per EU 2015/863 |

多部分产品合规性声明

- Eu RoHS
- REACH SVHC
- Low-Halogen

- IPC 1752A Class C
- IPC 1752A Class D
- Molex Product Compliance Declaration
- IEC-62474

产品详情

常规

| | |
|------|--|
| 状态 | 活动 |
| 类别 | FFC / FPC Connectors |
| 系列 | 52808 |
| 说明 | 1.00mm Pitch Easy-On FFC/FPC Connector, Surface Mount, Vertical, Non-ZIF, Tin (Sn) Plating, 9 Circuits |
| 产品系列 | Easy-On FFC FPC Connectors |
| 产品名称 | Easy-On |
| UPC | 822348142743 |

机构

| | |
|----|--------|
| UL | E29179 |
|----|--------|

电气

| | |
|---------|------|
| 每触点最大电流 | 0.5A |
| 电压 - 最大 | 125V |

物理

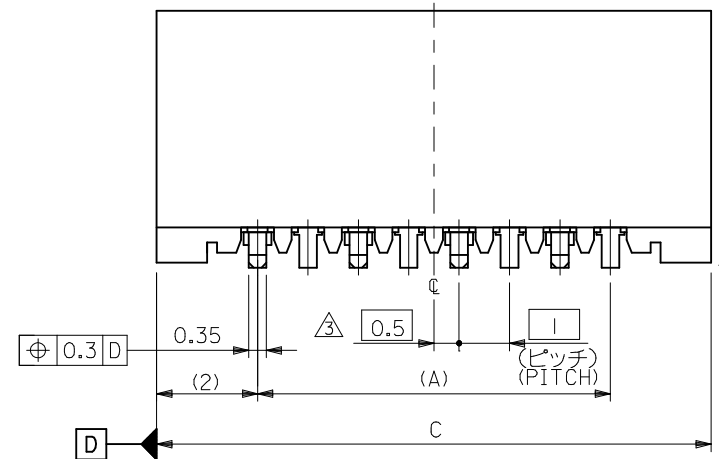
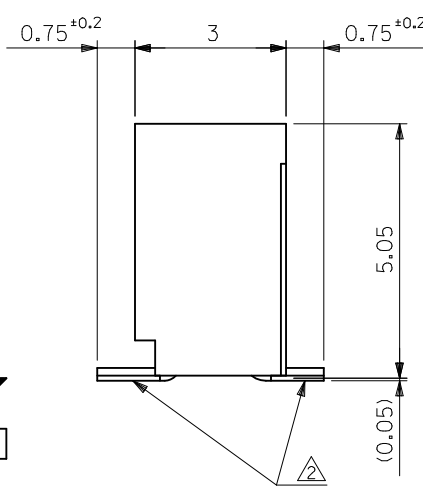
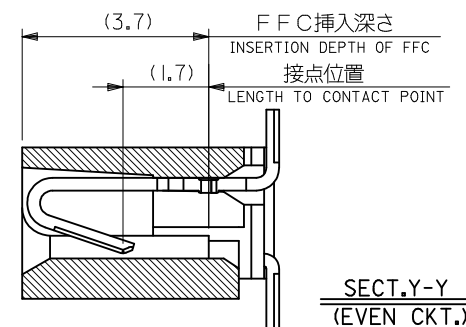
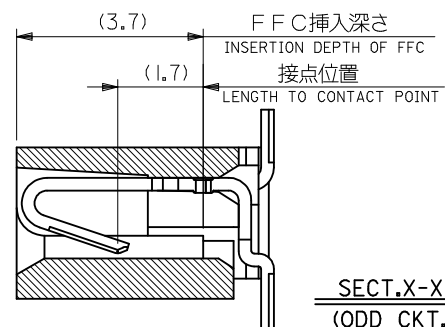
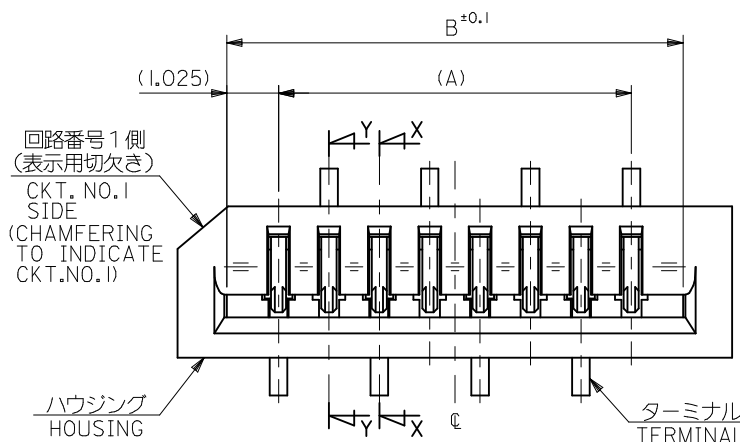
| | |
|------------------|--------------------------------|
| 驱动器类型 | Non-ZIF |
| 回路数 (已载入) | 9 |
| 电路数 (最多) | 9 |
| 颜色-树脂 | Natural |
| 接触部位 | 不适用 |
| 耐用性(插拔次数) - 最多次数 | 10 |
| 插配长度 | 5.05mm |
| 材料 - 金属 | Phosphor Bronze |
| 材料 - 接合部位电镀 | Tin-Bismuth |
| 材料 - 终端电镀 | Tin-Bismuth |
| 材料 - 树脂 | High Temperature Thermoplastic |
| 净重 | 266.200/mg |

| | |
|-----------|-----------------------|
| 方向 | 垂直 |
| 包装形式 | Embossed Tape on Reel |
| PCB 定位器 | 否 |
| PCB安装 | Surface Mount |
| PCB 保持力 | 无 |
| 间距 - 插配接口 | 1.00mm |
| 间距 - 终端界面 | 1.00mm |
| PCB 极性 | 否 |
| 可堆叠的 | 否 |
| 运行温度范围 | -20° to +80° C |
| 导线/电缆型号 | FFC/FPC |

可配插/可连接使用的产品

可配插部件

| 描述 | 产品编号 |
|-------------------------------------|--------------|
| 1.00mm Pitch Premo-Flex FFC Jumpers | <u>15167</u> |
| 1.00mm Pitch Premo-Flex FFC Jumpers | <u>15267</u> |
| 1.00mm Pitch Premo-Flex FFC Jumpers | <u>98267</u> |



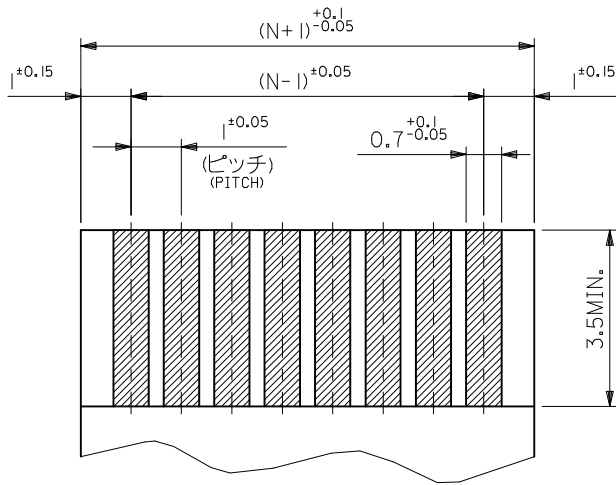
| | | | | |
|----|-------|----|------------|----|
| 33 | 31.05 | 29 | 52808-3019 | 30 |
| 32 | 30.05 | 28 | -2919 | 29 |
| 31 | 29.05 | 27 | -2819 | 28 |
| 30 | 28.05 | 26 | -2719 | 27 |
| 29 | 27.05 | 25 | -2619 | 26 |
| 28 | 26.05 | 24 | -2519 | 25 |
| 27 | 25.05 | 23 | -2419 | 24 |
| 26 | 24.05 | 22 | -2319 | 23 |
| 25 | 23.05 | 21 | -2219 | 22 |
| 24 | 22.05 | 20 | -2119 | 21 |
| 23 | 21.05 | 19 | -2019 | 20 |
| 22 | 20.05 | 18 | -1919 | 19 |
| 21 | 19.05 | 17 | -1819 | 18 |
| 20 | 18.05 | 16 | -1719 | 17 |
| 19 | 17.05 | 15 | -1619 | 16 |
| 18 | 16.05 | 14 | -1519 | 15 |
| 17 | 15.05 | 13 | -1419 | 14 |
| 16 | 14.05 | 12 | -1319 | 13 |
| 15 | 13.05 | 11 | -1219 | 12 |
| 14 | 12.05 | 10 | -1119 | 11 |
| 13 | 11.05 | 9 | -1019 | 10 |
| 12 | 10.05 | 8 | -0919 | 9 |
| 11 | 9.05 | 7 | -0819 | 8 |
| 10 | 8.05 | 6 | -0719 | 7 |
| 9 | 7.05 | 5 | -0619 | 6 |
| 8 | 6.05 | 4 | -0519 | 5 |
| 7 | 5.05 | 3 | 52808-0419 | 4 |

注記 NOTES:

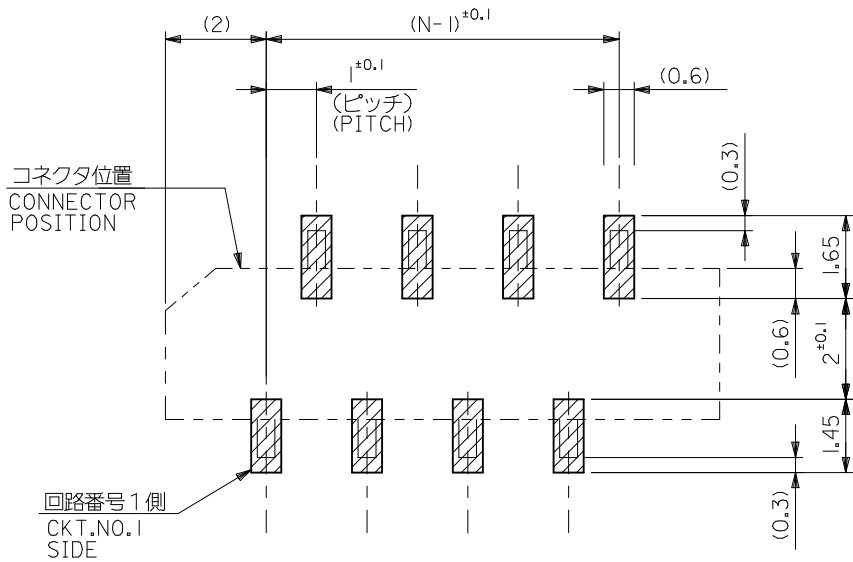
1. 使用材料 MATERIAL
 ハウジング : PPS, UL94V-0 HOUSING : PPS, UL94V-0
 ターミナル : リン青銅 (t=0.25) TERMINAL : PHOSPHOR BRONZE
 メッキ : ニッケル下地錫ピスマスメッキ PLATING : TIN-BISMUTH OVER NICKEL
2. 基準面 [E] からのソルダーテールの半田付け面のズレ量は、
 上方向に 0.1 MAX. 下方向 0.15 MAX. とする。
 MISALIGNMENT OF SOLDER TAIL FROM [E]
 : UPPER DIRECTION 0.1 MAX. , LOWER DIRECTION 0.15 MAX.
3. 偶数極に適用。
 APPLY FOR EVEN CKT.
4. 本製品は 52808-***10 の鉛フリー品である。
 THIS PRODUCT IS LEAD FREE OF 52808-***10

| | | | |
|---------|---------------------------|-------------------------------|--|
| REVISED | EC NO. J2014-1080 | DRWN:MTAKAHASHI 04.2013/12/25 | GENERAL TOLERANCES (UNLESS SPECIFIED) |
| B | CHKD:KAKAHASHI 2014/01/08 | APPR:YNOGAWA 2014/01/09 | 10 UNDER ±0.2 |
| | | | 10 OVER 30 UNDER ±0.25 |
| | | | 30 OVER ±0.3 |
| | | | ANGULAR ±3 ° |
| | | | DRAFT WHERE APPLICABLE MUST REMAIN WITHIN DIMENSIONS |

| | | | | | |
|---|----------------|--|---------------------|------------------------|------------|
| 52808-***19 | C | B | A | MATERIAL NO. | 極数 CIRCUIT |
| MODEL NO. | | | | | |
| DIMENSION STYLE MM ONLY | | SCALE 10:1 | DESIGN UNITS METRIC | THIRD ANGLE PROJECTION | |
| DRAWN BY M. NABE I | DATE '04/02/19 | TITLE 1.0 FFC CONN. NON ZIF SMT. ST. -LEAD FREE- | | | |
| CHECKED BY M. SASAO | DATE '04/02/19 | molex | | | |
| APPROVED BY M. SASAO | DATE '04/02/19 | | | | |
| MATERIAL NO. | SEE CHART | DOCUMENT NO. SD-52808-027 | SHEET NO. 1 OF 2 | | |
| THIS DRAWING CONTAINS INFORMATION THAT IS PROPRIETARY TO MOLEX INCORPORATED AND SHOULD NOT BE USED WITHOUT WRITTEN PERMISSION | | | | | |



(仕上がり厚さ0.3^{+0.03})
THICKNESS
適合FPC推奨寸法
APPLICABLE FPC
RECOMMENDED DIMENSION.



参考基板レイアウト (マウント面)
RECOMMENDED P.C.BOARD
PATTERN DIMENSION. (REF.)
(MOUNTING AREA)

FPCについて:

打抜き方向は、導体側から補強板側を推奨いたします。
補強フィルム材質は、ポリイミドを推奨いたします。
接着剤は、熱硬化接着剤を推奨いたします。

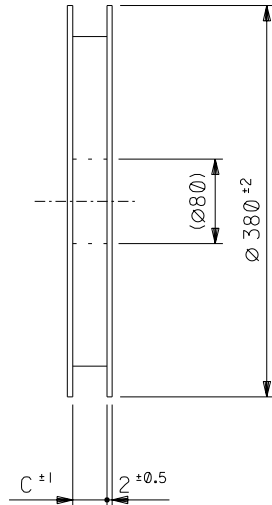
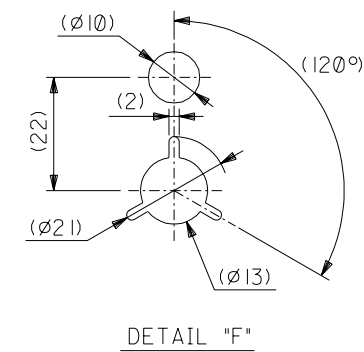
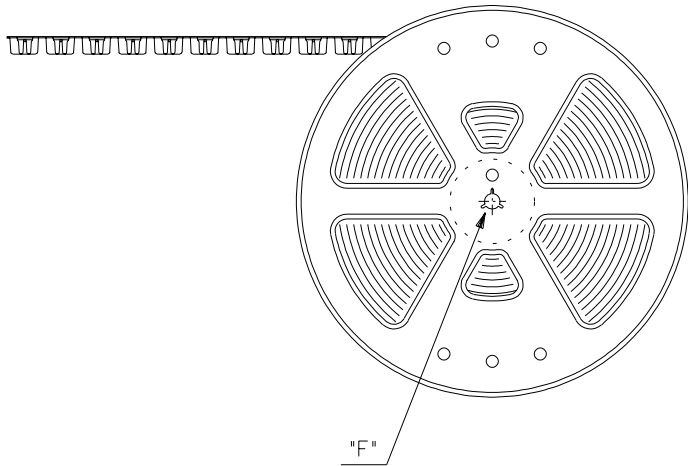
ABOUT FPC:

RECOMMENDED PUNCHER DIRECTION: FROM CONDUCTOR SIDE TO STIFFENER BOARD SIDE.

RECOMMENDED MATERIAL:
STIFFENER FILM: POLYIMIDE
BONDING AGENT: THERMOSETTING BONDING AGENT

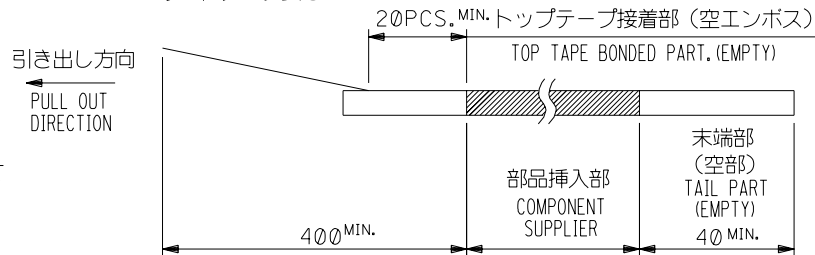
| | | | | | | | | | |
|--|--------------------|---|-------|----------------------------------|-------------------|--------------------------------|------------------------|------------------------|--|
| REVISED EC NO: J2014-1080 DRWN:MTAKAHASHI 04/2013/12/25 CHKD:KTAKAHASHI 2014/01/08 APPR:YNOGAWA 2014/01/09 | DESCRIPTION REV | GENERAL TOLERANCES (UNLESS SPECIFIED) | | DIMENSION STYLE MM ONLY | | SCALE 10:1 | DESIGN UNITS METRIC | THIRD ANGLE PROJECTION | |
| | | 10 UNDER | ±0.2 | DRAWN BY M. NABEI | DATE '04/02/19 | TITLE 1.0 FFC CONN. NON ZIF | | | |
| | | 10 OVER 30 UNDER | ±0.25 | CHECKED BY M. SASAO | DATE '04/02/19 | SMT. ST. | | | |
| | | 30 OVER | ±0.3 | APPROVED BY M. SASAO | DATE '04/02/19 | -LEAD FREE- | | | |
| ANGULAR ±3 ° | | DRAFT WHERE APPLICABLE MUST REMAIN WITHIN DIMENSIONS | | MATERIAL NO. SEE SHEET 1 OF 2 | | DOCUMENT NO. SD-52808-027 | | SHEET NO. 2 OF 2 | |
| SIZE A3 | | THIS DRAWING CONTAINS INFORMATION THAT IS PROPRIETARY TO MOLEX INCORPORATED AND SHOULD NOT BE USED WITHOUT WRITTEN PERMISSION | | | | | | | |

引き出し方向
PULL OUT

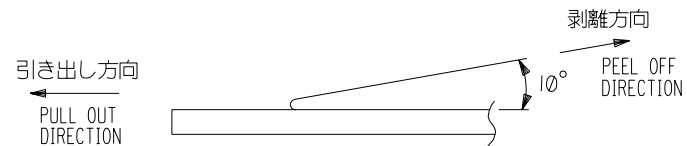


NOTES

- 製品詳細寸法については図面 SD-52808-027 を参照下さい。
RE DETAILED DIMENSION, SEE SD-52808-027
- 梱包数量：1000個/リール
NUMBER OF CONNECTORS : 1000PCS/REEL
- リードテープ長さ LEAD TAPE LENGTH



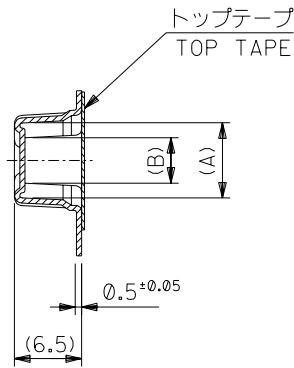
- トップテープの剥離強度： 0.1 ~ 1.3N (10 ~ 130gf)
(剥離方向は下図参照)
尚、本規格値は出荷時に適用。(但し、輸送時に剥離が発生しないこと。)
PEELING OFF FORCE OF TOP TAPE : 0.1 ~ 1.3N (10 ~ 130gf)
(PEELING DIRECTION AS SHOWN IN FOLLOWING FIG.)
THIS REQUIREMENT SHOULD BE APPLIED AT SHIPMENT.
PEEL OFF SHOULD NOT BE ALLOWED , DURING TRANSPORTATION.



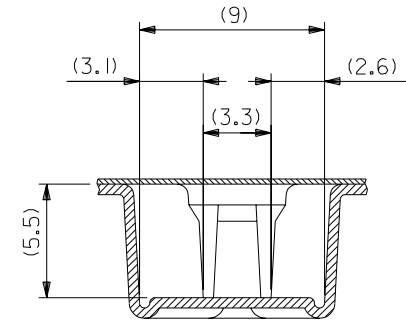
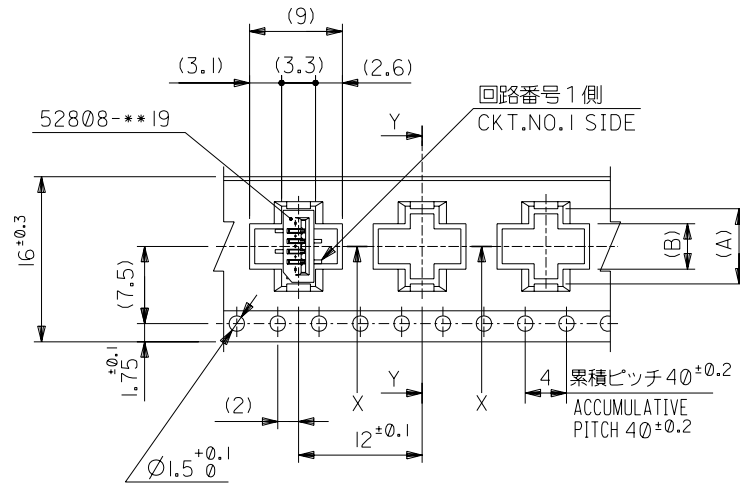
- 材料 (MATERIAL)
キャリアテープ (CARRIER TAPE) : ポリプロピレン (POLYPROPYLENE)
トップテープ (TOPTAPE) : PET , PE , PEF
リール (REEL) : ポリスチレン (PS) <リサイクル材を含む>
POLYSTYREN (PS) <RECYCLE MATERIAL CONTAINED>
- 本製品は 52808-**90 の鉛フリー品である。
THIS PRODUCT IS LEAD FREE OF 52808-**90

52808-**70
MODEL NO.

| | | | | | | | | | |
|-------------------------|--|--------------------|--|----------------------------|--|---------------------------|--|----------------------|--|
| | | 材料 MATERIAL | | 注記参照 SEE NOTES | | MATERIAL | | MATERIAL | |
| | | 仕上げ FINISH | | —#— | | REVISE ONLY ON CAD SYSTEM | | TITLE 名称 | |
| | | 適用電線範囲 WIRE RANGE | | —#— | | TITLE 名称 | | I.0 FFC Conn NON ZIF | |
| | | 被覆外径 INS. RANGE | | —#— | | TITLE 名称 | | SMT ST Embstp Pkg | |
| | | DRAWN BY '04/02/19 | | CHK'D BY '04/02/19 | | DWG. NO. | | (SHEET 1 OF 6) REV | |
| | | M.NABEI | | M.SASAO | | SD-52808-028 | | 0 | |
| 角度 ANGLE | | ±3° | | | | | | | |
| 30 以上 OVER | | +0.3 | | | | | | | |
| 10 以上 OVER 30 未満 UNDER | | +0.25 | | | | | | | |
| 10 未満 UNDER | | +0.2 | | | | | | | |
| 一般公差 GENERAL TOLERANCES | | 記号 LTR | | 変更内容 REVISION RECORD | | DR. CHK. | | 日付 DATE | |
| | | ① | | 新規作成 RELEASED (J2004-2528) | | M.N. M.S | | '04/02/19 | |
| | | | | | | APP'D BY '04/02/19 | | 尺度 SCALE | |
| | | | | | | M.SASAO | | —#— | |



SECT:Y-Y

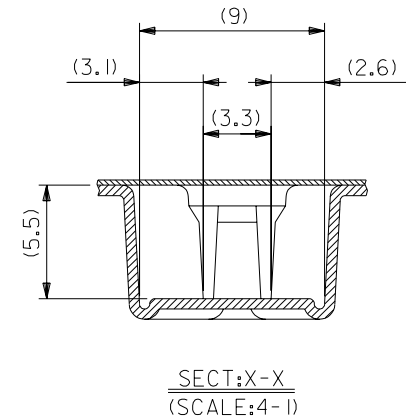
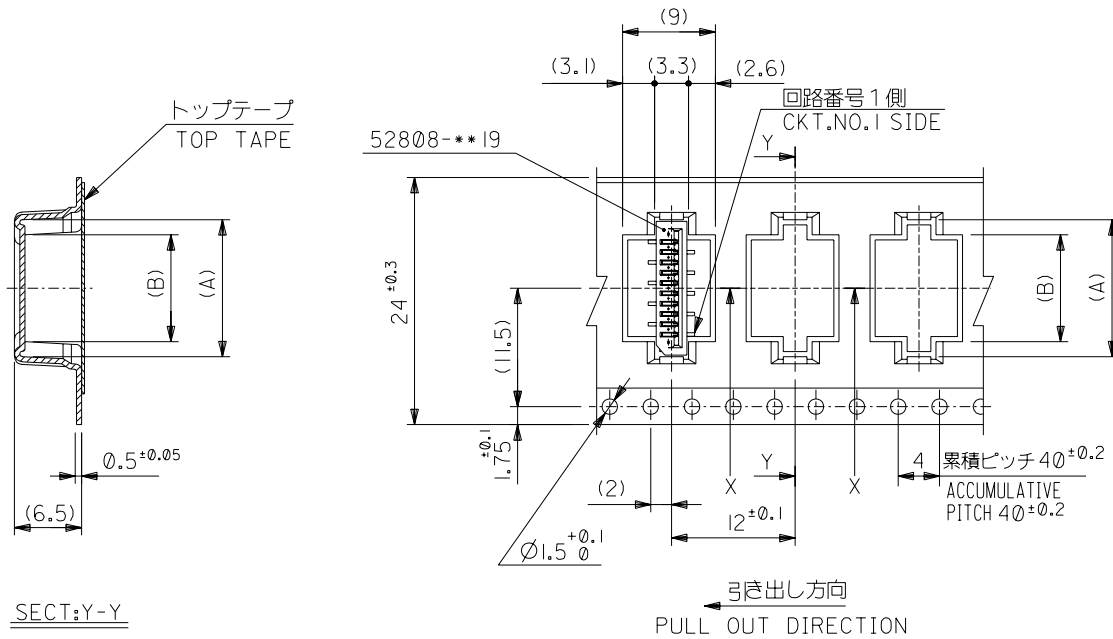


SECT:X-X
(SCALE:4-1)

16mm幅キャリアテープ
16mm WIDTH CARRIER TAPE

| | | | | | | |
|-------------|--------------------|------|-----|-----|--------------|------------|
| 52808-***70 | 16 | 17.5 | 5.4 | 8.3 | 52808-0570 | 5 |
| MODEL NO. | CARRIER TAPE WIDTH | C | (B) | (A) | MATERIAL NO. | 種数 CKT. |
| | | | 4.4 | 7.3 | 52808-0470 | 4 |

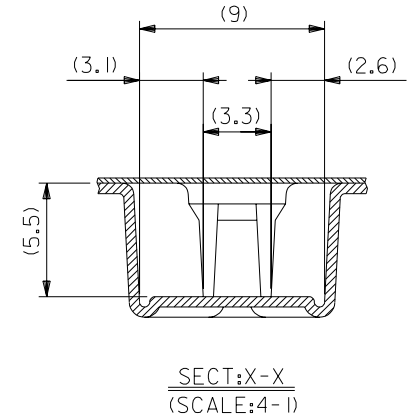
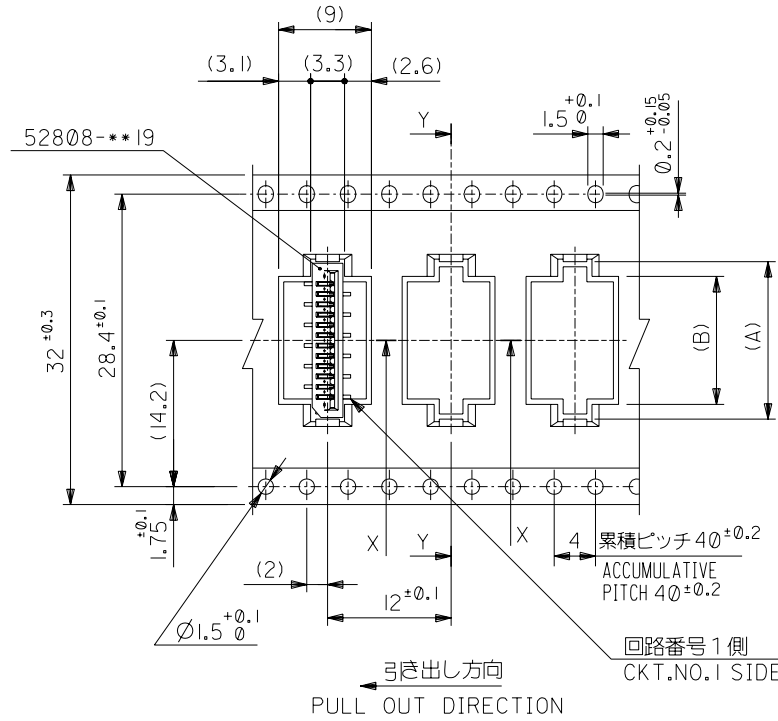
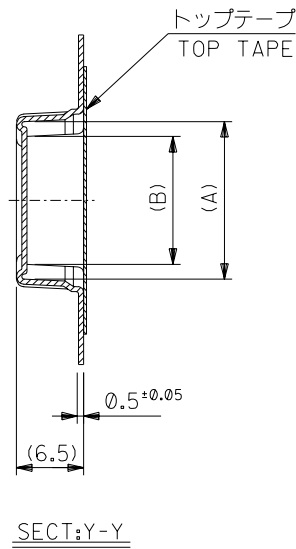
| | | | | | |
|----------------------------|-----------|---------------------------------|--|--|---|
| 角度 ANGLE | | ±3° | 材料 MATERIAL SHEET 1 OF 6 参照 REFER TO SHEET 1 OF 6 | | molex MOLEX-JAPAN CO.,LTD. 日本モレックス株式会社 |
| 30 以上 OVER | ±0.5 | 仕上げ FINISH | | REVISE ONLY ON CAD SYSTEM | |
| 10 以上 OVER | ±0.25 | 適用電線範囲 WIRE RANGE | | TITLE 名称 | |
| 30 未満 UNDER | ±0.25 | 被覆外径 INS. RANGE | | 1.0 FFC Conn NON ZIF SMT ST Embstp Pkg -LEAD FREE- | |
| 10 未満 UNDER | ±0.2 | ① 新規作成 RELEASED (J2004-2528) | M.N. M.S | 04/02/19 | DWG. NO. (SHEET 2 OF 6) REV |
| 一般公差 GENERAL TOLERANCES | 記号 LTR | 変更内容 REVISION RECORD | DR. CHK. | 日付 DATE | 0 |
| | | | | DRAWN BY 04/02/19 M.NABEI | CHK'D BY 04/02/19 M.SASAO |
| | | | | APP'D BY 04/02/19 M.SASAO | 尺度 SCALE |



24mm幅キャリアテープ
24mm WIDTH CARRIER TAPE

| | | | | | | | |
|-------------|-----------|--------------------------------|---|------|------|--------------|------------|
| 52808-**-70 | MODEL NO. | キャリアテープ幅 CARRIER TAPE WIDTH | C | 10.4 | 13.3 | 52808-1070 | 10 |
| | | | | 9.4 | 12.3 | 52808-0970 | 9 |
| | | | | 8.4 | 11.3 | 52808-0870 | 8 |
| | | | | 7.4 | 10.3 | 52808-0770 | 7 |
| | | | | 6.4 | 9.3 | 52808-0670 | 6 |
| | | | | (B) | (A) | MATERIAL NO. | 種数 CKT. |

| | | | | | | | |
|----------------------------|----------------|---------------------------------|-------------|------------|---------------------|---|--|
| 角度 ANGLE | | ±3° | | | | 材料 MATERIAL SHEET 1 OF 6 参照 REFER TO SHEET 1 OF 6 | molex MOLEX-JAPAN CO.,LTD. 日本モレックス株式会社 |
| 30 以上 OVER | | ±0.5 | | | | 仕上げ FINISH | |
| 10 以上 OVER | 30 未満 UNDER | ±0.25 | | | | 適用電線範囲 WIRE RANGE | TITLE 名称 |
| 10 未満 UNDER | | ±0.2 | | | | 被覆外径 INS. RANGE | 1.0 FFC Conn NON ZIF SMT ST Embstp Pkg -LEAD FREE- |
| 一般公差 GENERAL TOLERANCES | 記号 LTR | 変更内容 REVISION RECORD | DR. CHK. | 日付 DATE | APP'D BY M.SASAO | DRAWN BY '04/02/19 M.NABEI | CHK'D BY '04/02/19 M.SASAO |
| | | ① 新規作成 RELEASED (J2004-2528) | M.N M.S | 04/02/19 | | DWG. NO. | (SHEET 3 OF 6) REV |
| | | | | | | SD-52808-028 | 0 |



32mm幅キャリアテープ
32mm WIDTH CARRIER TAPE

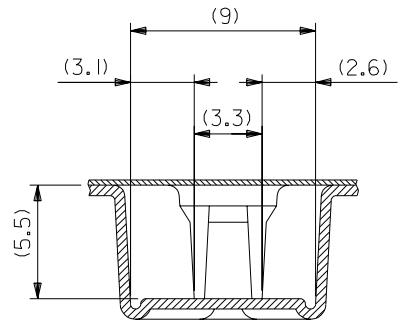
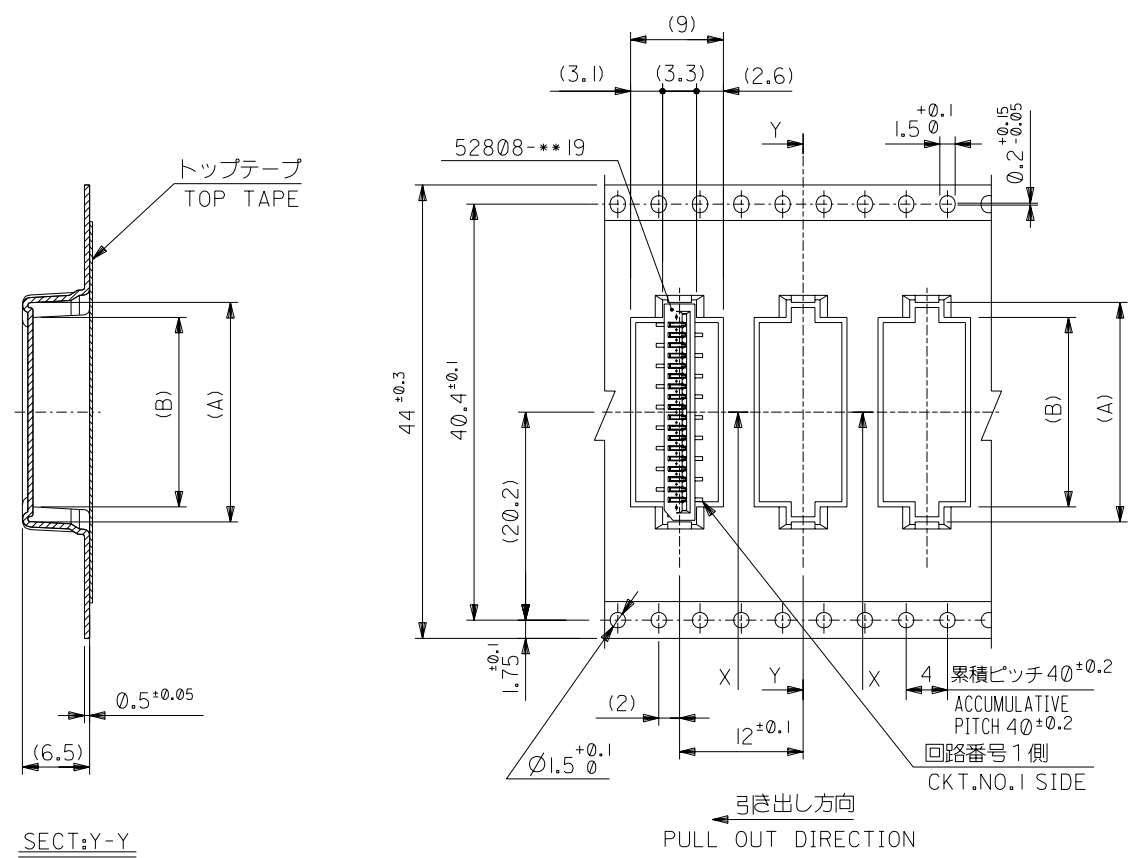
| | | | | | | | | | |
|-------------|-----------|--------------------------------|---|-----|-----|--------------|------------|------------|----|
| 52808-***70 | MODEL NO. | キャリアテープ幅 CARRIER TAPE WIDTH | C | (B) | (A) | 15.4 | 18.3 | 52808-1570 | 15 |
| | | | | | | 14.4 | 17.3 | 52808-1470 | 14 |
| | | | | | | 13.4 | 16.3 | 52808-1370 | 13 |
| | | | | | | 12.4 | 15.3 | 52808-1270 | 12 |
| | | | | | | 11.4 | 14.3 | 52808-1170 | 11 |
| | | | | | | MATERIAL NO. | 植数 CKT. | | |

| | | | | | | | |
|----------------------------|---------------|-------------------------|-------------------------------|------------|------------|---|--|
| 角度 ANGLE | | ±3° | | | | 材料 MATERIAL SHEET 1 OF 6 参照 REFER TO SHEET 1 OF 6 | molex MOLEX-JAPAN CO.,LTD. 日本モレックス株式会社 |
| 30以上 OVER | | ±0.5 | | | | 仕上げ FINISH | |
| 10以上 OVER | 30未満 UNDER | ±0.25 | | | | 適用電線範囲 WIRE RANGE | TITLE 名称 |
| 10未満 UNDER | | ±0.2 | | | | 被覆外径 INS. RANGE | 1.0 FFC Conn NON ZIF SMT ST Embstp Pkg -LEAD FREE- |
| 一般公差 GENERAL TOLERANCES | 記号 LTR | 変更内容 REVISION RECORD | 新規作成 RELEASED (J2004-2528) | M.N M.S | 日付 DATE | DRAWN BY 04/02/19 M.NABEI | DWG. NO. (SHEET 4 OF 6) |
| | | | | | | CHK'D BY 04/02/19 M.SASAO | REV |
| | | | | | | APP'D BY 04/02/19 M.SASAO | SD-52808-028 |
| | | | | | | 尺度 SCALE | 0 |

E

D

C
B
A
DIMENSIONS IN METRIC DO NOT SCALE DRAWING



SECT:X-X
(SCALE:4-1)

SECT:Y-Y

44mm幅キャリアテープ
44mm WIDTH CARRIER TAPE

| | | | | | | |
|-----------|--------------------|------|------|------------|--------------|------------|
| 44 | 45.5 | 28.4 | 31.3 | 52808-2870 | 28 | |
| | | 27.4 | 30.3 | 52808-2770 | 27 | |
| | | 26.4 | 29.3 | 52808-2670 | 26 | |
| | | 25.4 | 28.3 | 52808-2570 | 25 | |
| | | 24.4 | 27.3 | 52808-2470 | 24 | |
| | | 23.4 | 26.3 | 52808-2370 | 23 | |
| | | 22.4 | 25.3 | 52808-2270 | 22 | |
| | | 21.4 | 24.3 | 52808-2170 | 21 | |
| | | 20.4 | 23.3 | 52808-2070 | 20 | |
| | | 19.4 | 22.3 | 52808-1970 | 19 | |
| | | 18.4 | 21.3 | 52808-1870 | 18 | |
| | | 17.4 | 20.3 | 52808-1770 | 17 | |
| | | 16.4 | 19.3 | 52808-1670 | 16 | |
| MODEL NO. | CARRIER TAPE WIDTH | C | (B) | (A) | MATERIAL NO. | 植数 CKT. |

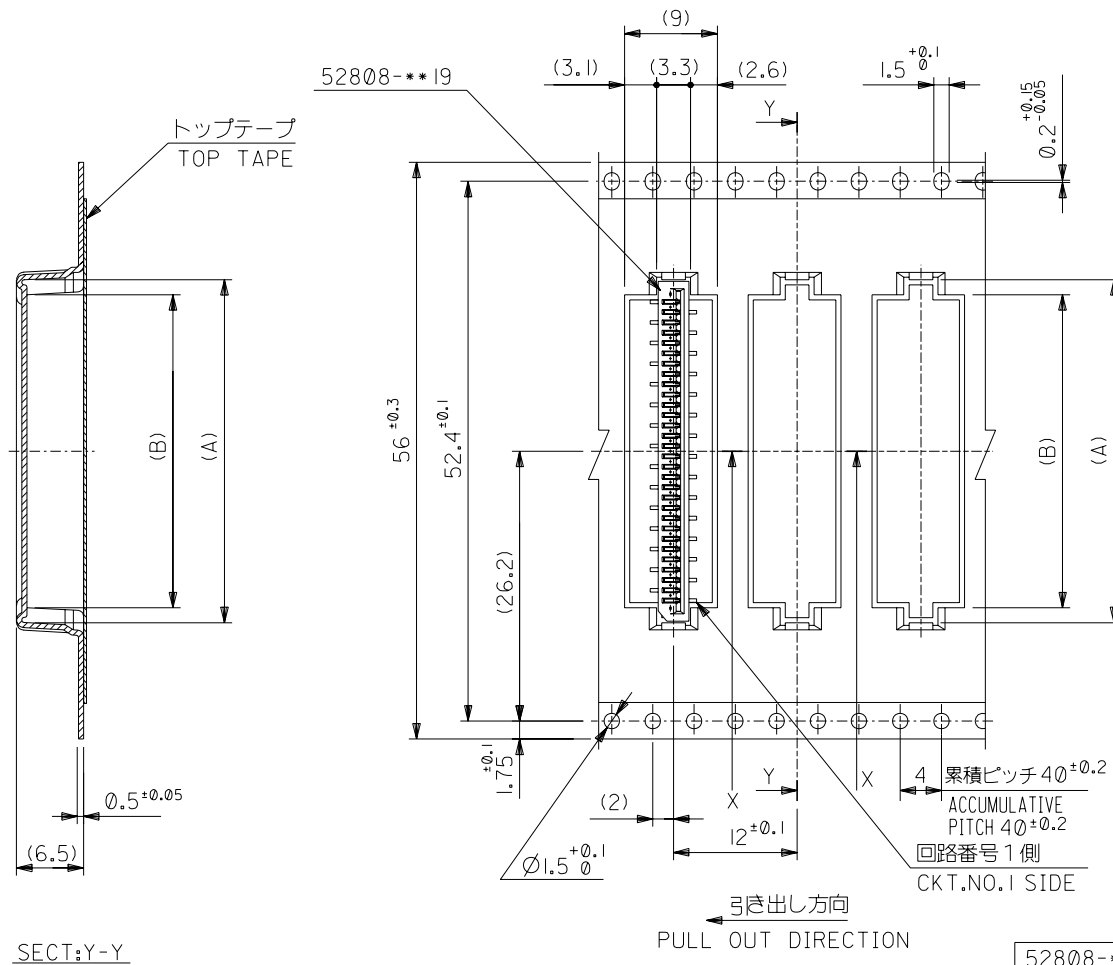
| | | | | | |
|-------------------------------|--|---|--|--|--|
| 52808-***70 | | 材料 MATERIAL SHEET 1 OF 6 参照 REFER TO SHEET 1 OF 6 | | molex MOLEX-JAPAN CO.,LTD. 日本モレックス株式会社 | |
| 仕上げ FINISH | | —#— | | REVISE ONLY ON CAD SYSTEM | |
| 適用電線範囲 WIRE RANGE | | —#— | | TITLE 名称 I.0 FFC Conn NON ZIF SMT ST Embstp Pkg -LEAD FREE- | |
| 被覆外径 INS. RANGE | | —#— | | DRAWN BY '04/02/19 M.NABEI | |
| DRAWN BY '04/02/19 M.NABEI | | CHK'D BY '04/02/19 M.SASAO | | DWG. NO. (SHEET 5 OF 6) REV SD-52808-028 0 | |
| 新規作成 RELEASED (J2004-2528) | | M.N M.S | | DR. 日付 CHK. DATE | |
| 記号 LTR | | 変更内容 REVISION RECORD | | M.S | |
| 一般公差 GENERAL TOLERANCES | | 0 | | SCALE —#— | |

SD-52808-028.S05

E

D

C
B
A
DIMENSIONS IN METRIC DO NOT SCALE DRAWING



SECT:Y-Y

SECT:X-X
(SCALE:4-1)

56mm幅キャリアテープ
56mm WIDTH CARRIER TAPE

| | | | | | | |
|-------------|--------------------|------|------|------|--------------|------------|
| 52808-***70 | 56 | 57.5 | 30.4 | 33.3 | 52808-3070 | 30 |
| MODEL NO. | CARRIER TAPE WIDTH | C | (B) | (A) | MATERIAL NO. | 植数 CKT. |
| | | | 29.4 | 32.3 | 52808-2970 | 29 |

| | | | | | | |
|-------------------------|--------|---------------------------------|-----------|--|--|------------------------------|
| 角度 ANGLE | ±3° | | | 材料 MATERIAL SHEET 1 OF 6 参照 REFER TO SHEET 1 OF 6 | MOLEX-JAPAN CO.,LTD. 日本モレックス株式会社 REVISE ONLY ON CAD SYSTEM TITLE 名称 1.0 FFC Conn NON ZIF SMT ST Embstp Pkg -LEAD FREE- | |
| 30以上 OVER | ±0.5 | | | 仕上げ FINISH | | — |
| 10以上 OVER 30未滿 UNDER | ±0.25 | | | 適用電線範囲 WIRE RANGE | | — |
| 10未滿 UNDER | ±0.2 | | | 被覆外径 INS. RANGE | | — |
| 一般公差 GENERAL TOLERANCES | 記号 LTR | 変更内容 REVISION RECORD | DR. CHK. | 日付 DATE | 尺度 SCALE | — |
| | | ① 新規作成 (J2004-2528) RELEASED | M.N. M.S. | 04/02/19 | DRAWN BY 04/02/19 M.NABEI | CHK'D BY 04/02/19 M.SASAO |
| | | | | | APP'D BY 04/02/19 M.SASAO | 尺度 SCALE |
| | | | | | DWG. NO. (SHEET 6 OF 6) | REV 0 |
| | | | | | SD-52808-028 | |