



产品编号 : [528850574](#)

Product Description : SlimStack Board-to-Board Connector, 0.635mm Pitch, 0.635 Series, Receptacle, 6.00 to 10.00mm Mated Height, 6.40mm Mated Width, 50 Circuits

系列号 : 52885

状态 : Active

Product Category : Board-to-Board Connectors



文件和资源

图纸

[图纸 528850574_sd.pdf](#)

3D 模型和设计文件

[3D模型 528850574_stp.zip](#)

规格

[包装规格 SPK-52885-001-001.pdf](#)

[产品规格 527600000-000.pdf](#)

产物环境合规

合规

GADSL/IMDS	Not Relevant
China RoHS	
EU ELV	Not Relevant
Low-Halogen Status	Low-Halogen per IEC 61249-2-21
REACH SVHC	Not Contained per D(2023)3788-DC (14 Jun 2023)
EU RoHS	Compliant per EU 2015/863

多部分产品合规性声明

- Eu RoHS
- REACH SVHC
- Low-Halogen

多部分行业合规性文件

- IPC 1752A Class C

- IPC 1752A Class D
- Molex Product Compliance Declaration
- IEC-62474
- chemSHERPA (xml)

欧盟 RoHS 合格证书

产品详情

常规

状态	活动
类别	Board-to-Board Connectors
系列	52885
说明	SlimStack Board-to-Board Connector, 0.635mm Pitch, 0.635 Series, Receptacle, 6.00 to 10.00mm Mated Height, 6.40mm Mated Width, 50 Circuits
产品系列	0.635, Rigid
应用	Board-to-Board, Signal
个评论	Stacking-Type
元件类型	PCB Receptacle
产品系列	SlimStack Board-to-Board/Board-to-FPC Connectors
产品名称	SlimStack
UPC	822348165902

机构

UL	E29179
----	--------

电气

每触点最大电流	0.5A
电压 - 最大	100V

物理

回路数 (已载入)	50
电路数 (最多)	50
颜色-树脂	Natural
耐用性(插拔次数) - 最多次数	50

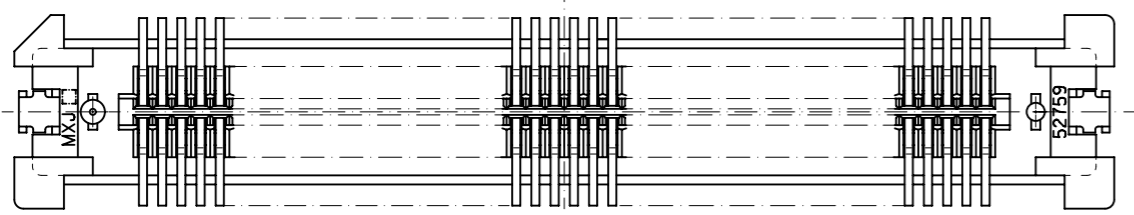
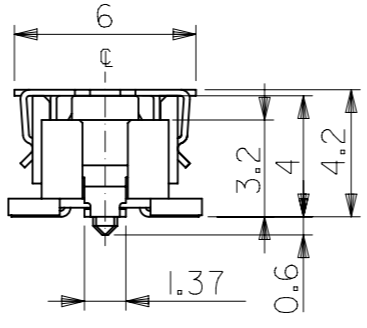
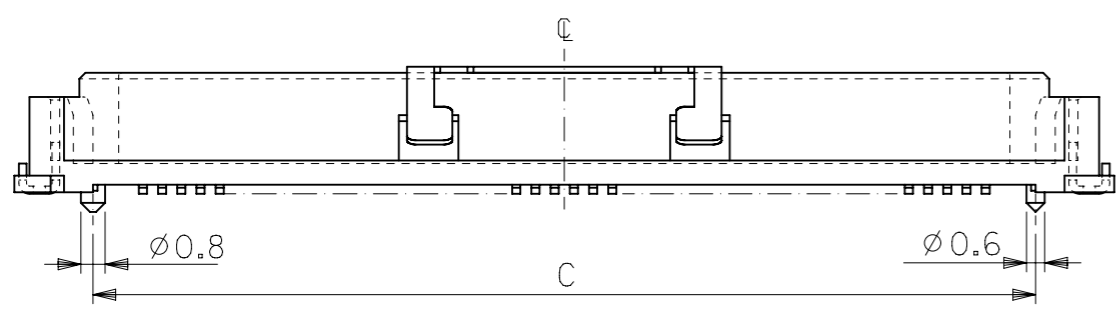
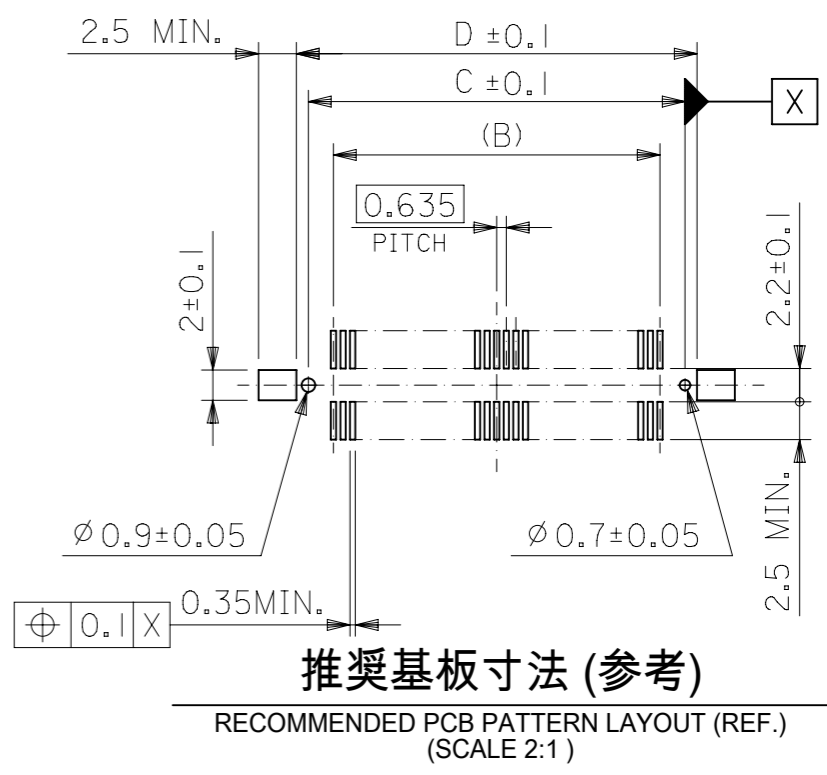
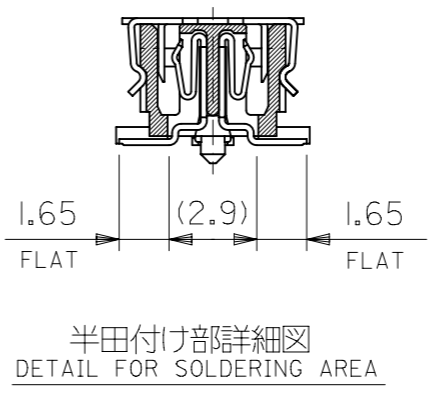
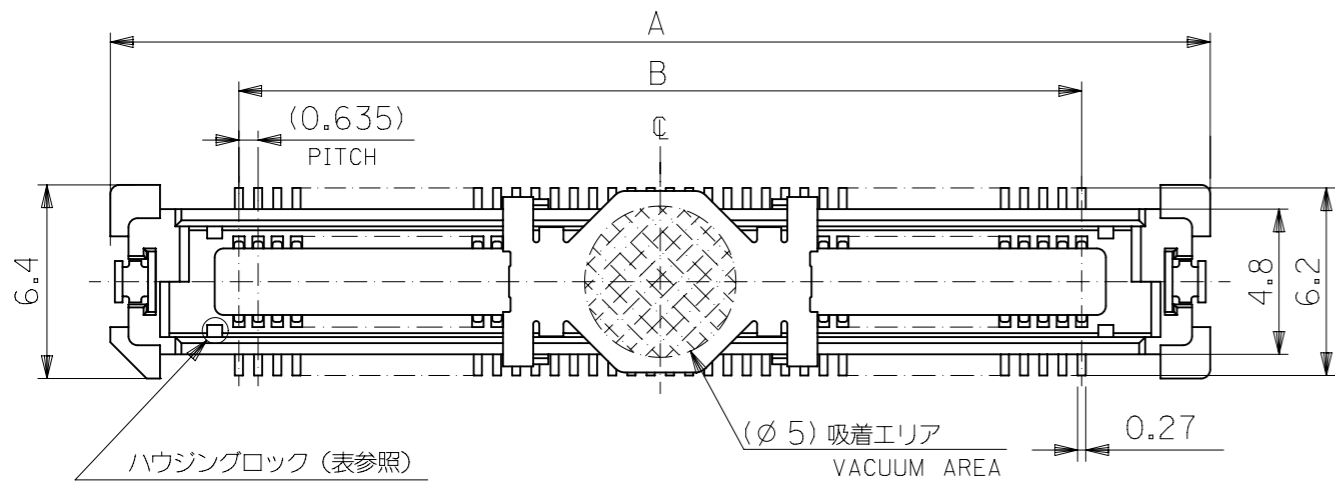
阻燃性	94V-0
符合灼热丝规范	否
锁定插接部位	是
插配长度	10.00mm, 6.00mm, 7.00mm, 8.00mm, 9.00mm
插配宽度	6.40mm
材料 - 金属	Copper Alloy
材料 - 接合部位电镀	金牌
材料 - 终端电镀	Tin
材料 - 树脂	High Temperature Thermoplastic
净重	664.845/mg
行数	2
方向	垂直
包装形式	Embossed Tape on Reel
PCB 定位器	是
PCB 保持力	是
推荐的 PCB 厚度	1.60mm
间距 - 插配接口	0.635mm
最薄镀层 - 接合部位	0.254µm
最薄镀层 - 端接	2.032µm
PCB 极性	是
自动布局	Pick and Place Cap
运行温度范围	-55° to +105° C
终端界面类型	Surface Mount

可配插/可连接使用的产品

可配插部件

描述	产品编号
0.635mm Pitch Vertical SlimStack Plugs	<u>53625</u>
0.635mm Pitch Vertical SlimStack Plugs	<u>53627</u>
0.635mm Pitch Vertical SlimStack Plugs	<u>53647</u>
0.635mm Pitch Vertical SlimStack Plugs	<u>53649</u>

This document was generated on Jan 30, 2024

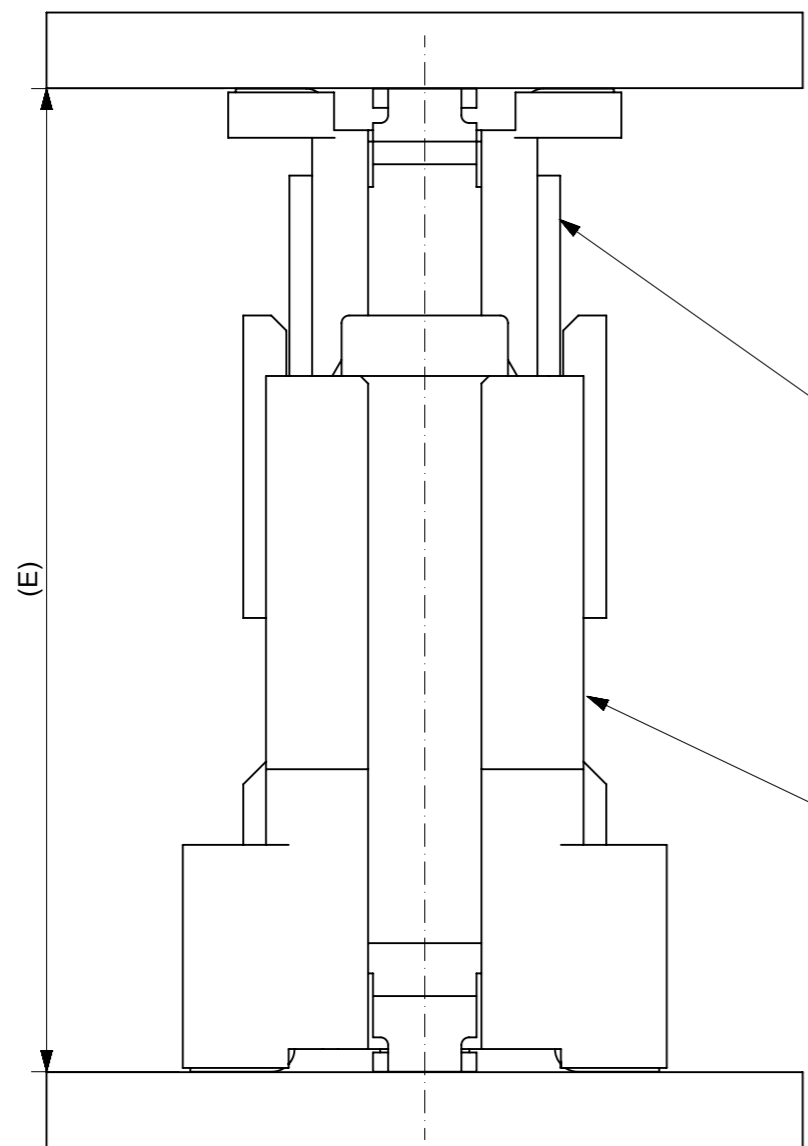


注) NOTES

- 材質
MATERIAL
ハウジング: ガラス入りLCP、白色、UL94V-0
HOUSING: G.F.LCP, WHITE, UL94V-0
ターミナル: 銅合金 (t = 0.2)
TERMINAL: COPPER ALLOY
吸着カバー: ステンレス (t = 0.2)
VACUUM COVER: STAINLESS STEEL
補強金具: 銅合金 (t = 0.25)
FITTING NAIL: COPPER ALLOY
- メッキ仕様
PLATING
ターミナル: 接点部: 金メッキ 0.25 マイクロメートル以上
CONTACT AREA: GOLD 0.25 MICROMETER MINIMUM
半田付け部: 錫メッキ 1.0 マイクロメートル以上
SOLDER TAIL AREA: TIN 1.0 MICROMETER MINIMUM
下地メッキ: ニッケルメッキ 1.5 マイクロメートル以上
UNDER-PLATING: NICKEL 1.5 MICROMETER MINIMUM
補強金具: 錫メッキ 1.0 マイクロメートル以上
FITTING NAIL: TIN 1.0 MICROMETER MINIMUM
下地メッキ: ニッケルメッキ 1.0 マイクロメートル以上
UNDER-PLATING: NICKEL 1.0 MICROMETER MINIMUM
- テールのバラツキ寸法
TAIL COPLANARITY
240極以下品のテール平坦度は0.1MAX.、
240極品のテール平坦度は0.12MAX.とする。
TAILS COPLANARITY TO BE 0.1MAX.
IN 240 CIRCUITS, TAILS COPLANARITY TO BE 0.12MAX.
- エンボス対応済みの極数については、SD-52885-004を参照下さい。
FOR THE EMBOSSED PACKAGE PRODUCTS, SEE SD-52885-004.

無し WITHOUT	80.47	78.87	75.565	84.07	52885-2474	240
	67.77	66.17	62.865	71.37	52885-2074	200
	61.42	59.82	56.515	65.02	52885-1874	180
	55.07	53.47	50.165	58.67	52885-1674	160
	48.72	47.12	43.815	52.32	52885-1474	140
	42.37	40.77	37.465	45.97	52885-1274	120
	36.02	34.42	31.115	39.62	52885-1074	100
	32.85	31.25	27.94	36.45	52885-0974	90
	29.67	28.07	24.765	33.27	52885-0874	80
	有り WITH	26.5	24.90	21.59	30.1	52885-0774
23.32		21.72	18.415	26.92	52885-0674	60
20.15		18.55	15.24	23.75	52885-0574	50
16.97		15.37	12.065	20.57	52885-0474	40
13.8		12.2	8.89	17.4	52885-0374	30
10.62	9.02	5.715	14.22	52885-0274	20	
ハウジングロック HSG LOCK	D	C	B	A	エンボス梱包 EMBOSSED PACKAGING オーダー番号 ORDER NO.	極数 CKT

GENERAL TOLERANCES (UNLESS SPECIFIED)		THIS DRAWING CONTAINS INFORMATION THAT IS PROPRIETARY TO MOLEX ELECTRONIC TECHNOLOGIES, LLC AND SHOULD NOT BE USED WITHOUT WRITTEN PERMISSION	
10 UNDER	± 0.2	DIMENSION UNITS	SCALE
10 OVER 30 UNDER	± 0.25	mm	-
30 OVER	± 0.3	CURRENT REV DESC:	
ANGULAR	± 3 °	EC NO: 602629	
DRAFT WHERE APPLICABLE MUST REMAIN WITHIN DIMENSIONS		DRWN: RMIYAMOTO 2018/08/16	
		CHK'D: KSASAKI 2018/08/17	
		APPR: TKUSUHARA01 2018/08/17	
		INITIAL REVISION:	
		DRWN: MNAGATA 2004/03/19	
		APPR: MSASAO 2004/03/19	
		THIRD ANGLE PROJECTION	DRAWING
		⊕	A3-SIZE
		SERIES	52885
		MATERIAL NUMBER	SEE CHART
		CUSTOMER	GENERAL MARKET
		DOCUMENT NUMBER	SD-52885-003
		DOC TYPE	PSD
		DOC PART	001
		REVISION	E
		SHEET NUMBER	1 OF 2

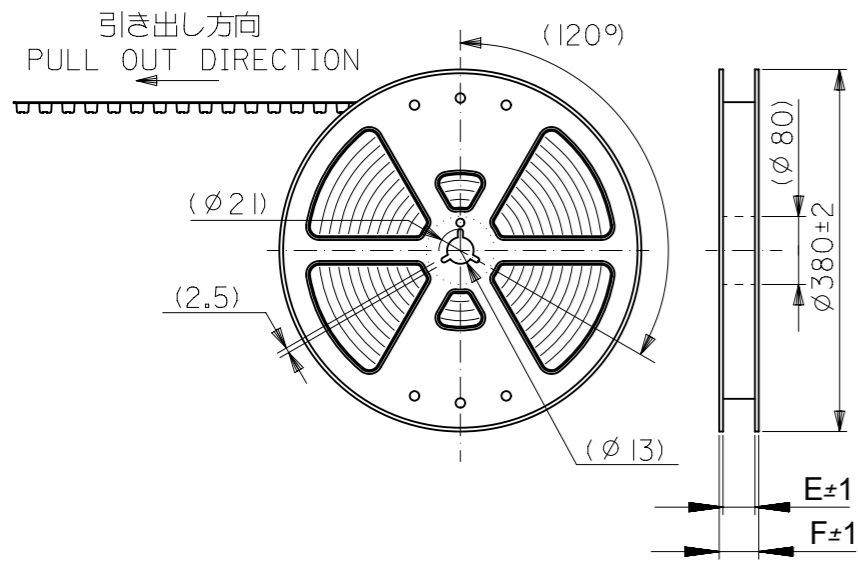


55091 series
53625 series
53647 series
53649 series
53627 series
Plug

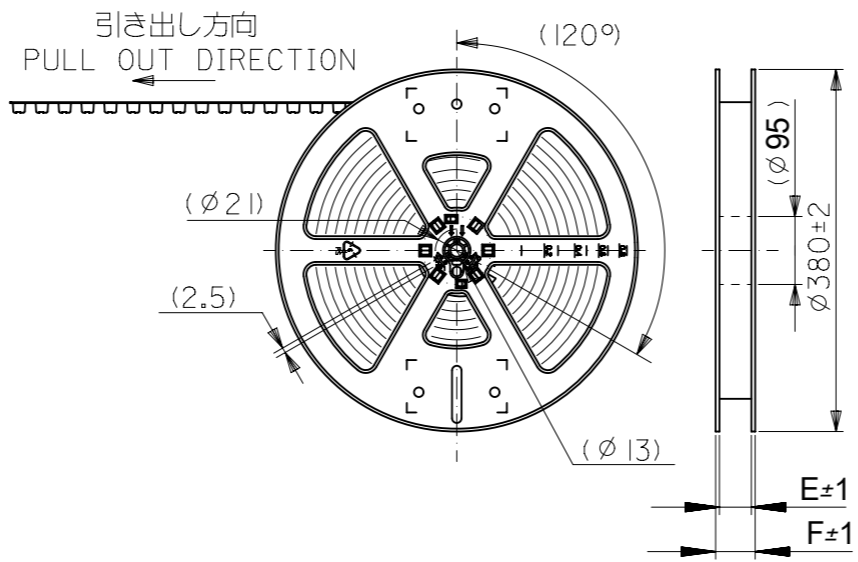
52885 series
52901 series
Receptacle

嵌合高さ一覧 Stacking Height variation			
○	6	52885 series	55091 series
○	7		53625 series
○	8		53647 series
○	9		53649 series
○	10		53627 series
	12	52901 series	55091 series
	13		53625 series
	14		53647 series
	15		53649 series
	16		53627 series
本図製品該当高さ Height Application	嵌合高さ E Stacking Height	リセプタクル Receptacle	プラグ Plug

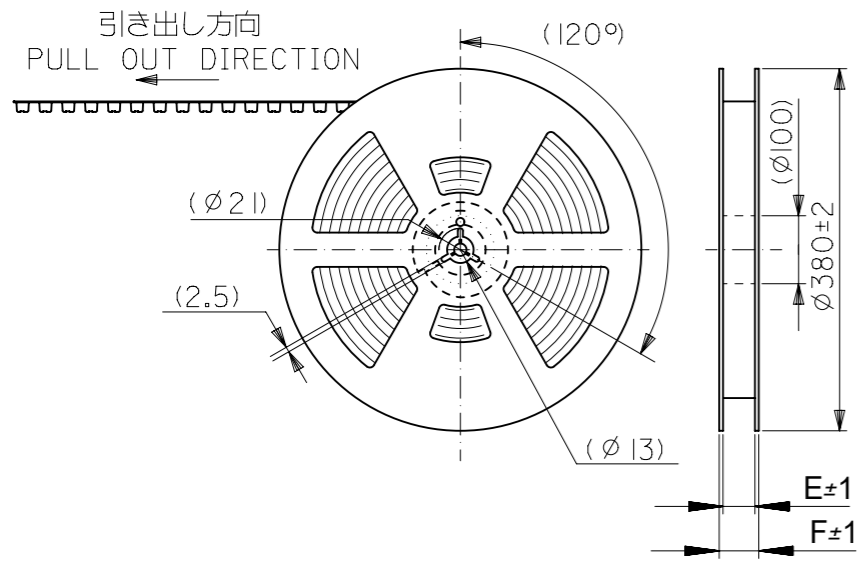
GENERAL TOLERANCES (UNLESS SPECIFIED)		THIS DRAWING CONTAINS INFORMATION THAT IS PROPRIETARY TO MOLEX ELECTRONIC TECHNOLOGIES, LLC AND SHOULD NOT BE USED WITHOUT WRITTEN PERMISSION		CURRENT REV DESC:			molex					
10 UNDER	± 0.2	DIMENSION UNITS	SCALE	EC NO: 602629 DRWN: RMIYAMOTO 2018/08/16 CHK'D: KSASAKI 2018/08/17 APPR: TKUSUHARA01 2018/08/17 INITIAL REVISION: DRWN: MNAGATA 2004/03/19 APPR: MSASAO 2004/03/19			0.635 PITCH B TO B S/T REC. HSG ASSY -LEAD FREE-					
10 OVER 30 UNDER	± 0.25	mm	-				PRODUCT CUSTOMER DRAWING					
30 OVER	± 0.3	GENERAL TOLERANCES (UNLESS SPECIFIED)					DOCUMENT NUMBER			DOC TYPE	DOC PART	REVISION
ANGULAR	± 3 °	ANGULAR TOL ± 30 °					SD-52885-003			PSD	001	E
DRAFT WHERE APPLICABLE MUST REMAIN WITHIN DIMENSIONS		4 PLACES ± 0.2					MATERIAL NUMBER			CUSTOMER		
		3 PLACES ± 0.25		SEE CHART			GENERAL MARKET					
		2 PLACES ± 0.3		A3-SIZE			2 OF 2					
		1 PLACE ±		SERIES			SHEET NUMBER					
		0 PLACES ±		52885			2 OF 2					
		DRAFT WHERE APPLICABLE MUST REMAIN WITHIN DIMENSIONS		THIRD ANGLE PROJECTION								
				DRAWING								
				SERIES								
				MATERIAL NUMBER								
				CUSTOMER								
				SHEET NUMBER								



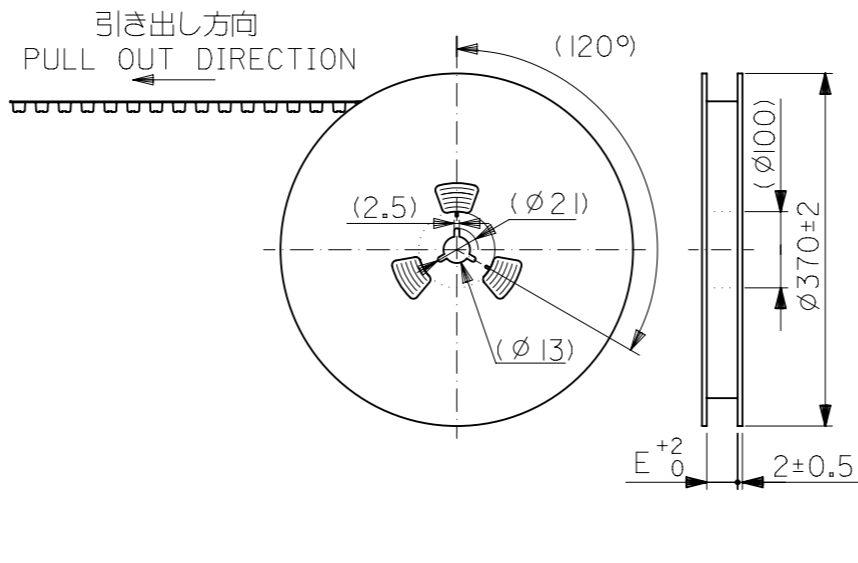
キャリアテープ幅：24mm～56mm
CARRIER TAPE WIDTH : 24mm-56mm



キャリアテープ幅：72mm
CARRIER TAPE WIDTH : 72mm



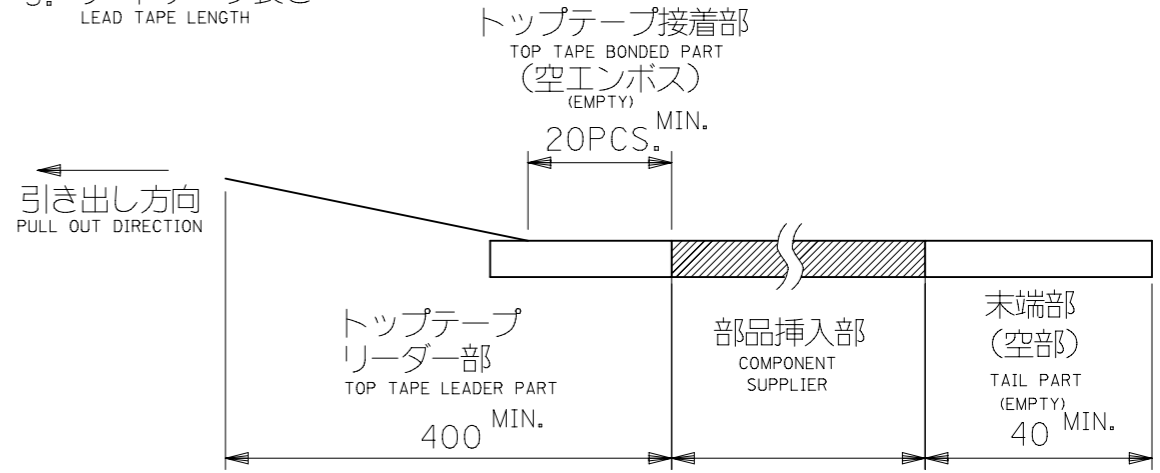
キャリアテープ幅：88mm
CARRIER TAPE WIDTH : 88mm



キャリアテープ幅：104mm
CARRIER TAPE WIDTH : 104mm

注)
NOTES

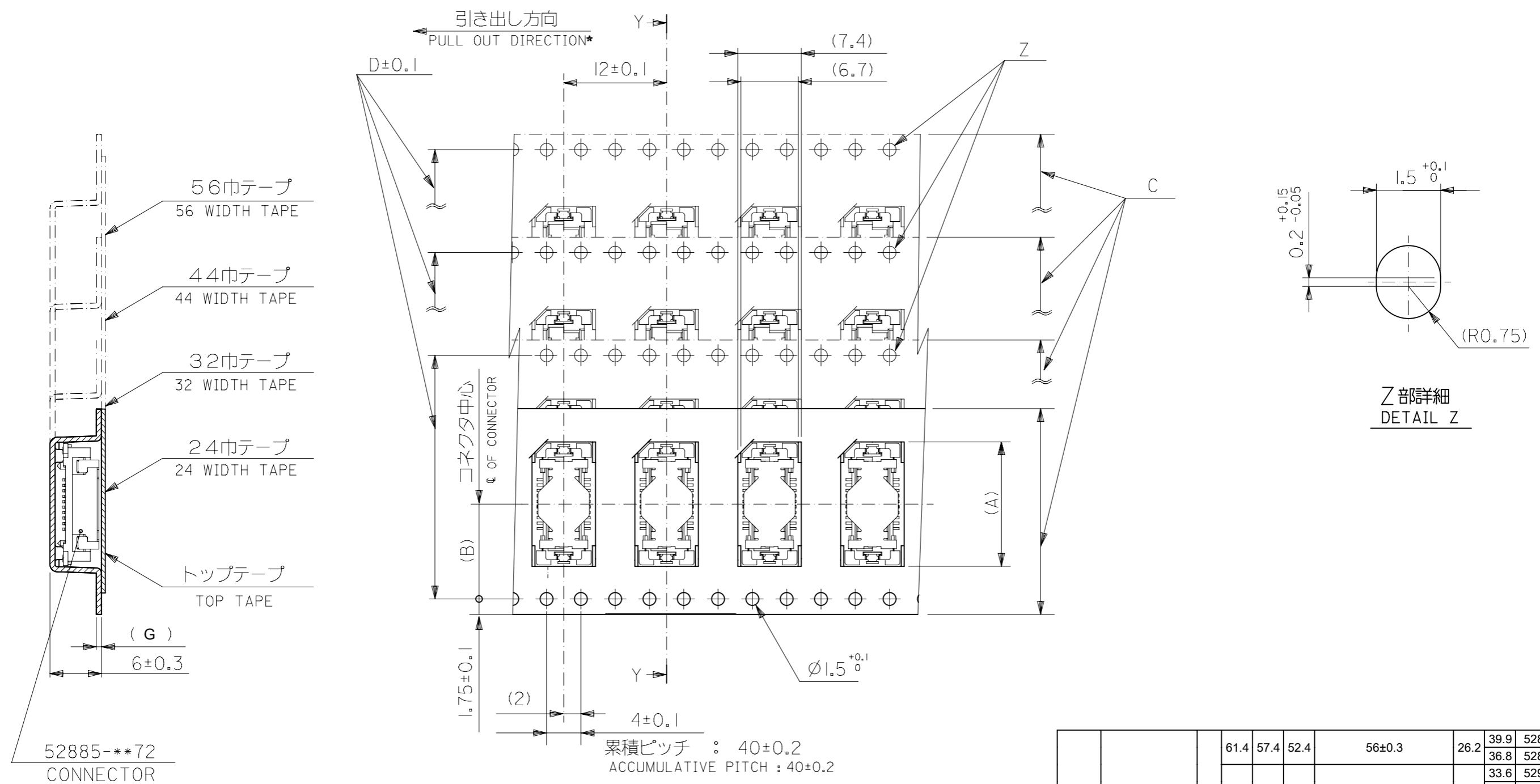
- 製品番号 52885-**72 の詳細寸法については SD-52885-003 を参照下さい。
IN THE PACKAGE , PART NO. 52885-**72 DETAILED DIMENSIONS , SEE SD-52885-003
- 梱包数量 : 1000個/リール
NUMBER OF CONNECTORS : 1000 PCS/REEL
- リードテープ長さ
LEAD TAPE LENGTH



4. 材料

MATERIAL
 キャリアテープ : ポリプロピレン (PP) : 180極以外
 ポリスチレン (PS) : 180極のみ
 CARRIER TAPE : POLYPROPYLENE (PP) : OTHER THAN 180CKT
 POLYSTYRENE (PS) : 180CKT ONLY
 トップテープ : PET, PE, PEF
 TOP TAPE : PET, PE, PEF
 リール : キャリアテープ幅 24mm～88mm : ポリスチレン
 REEL : CARRIER TAPE WIDTH 24mm-88mm : POLYSTYRENE
 キャリアテープ幅 104mm : 紙
 CARRIER TAPE WIDTH 104mm : CARD BOARD

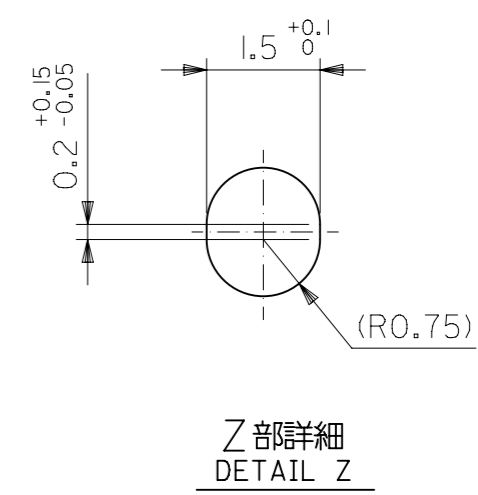
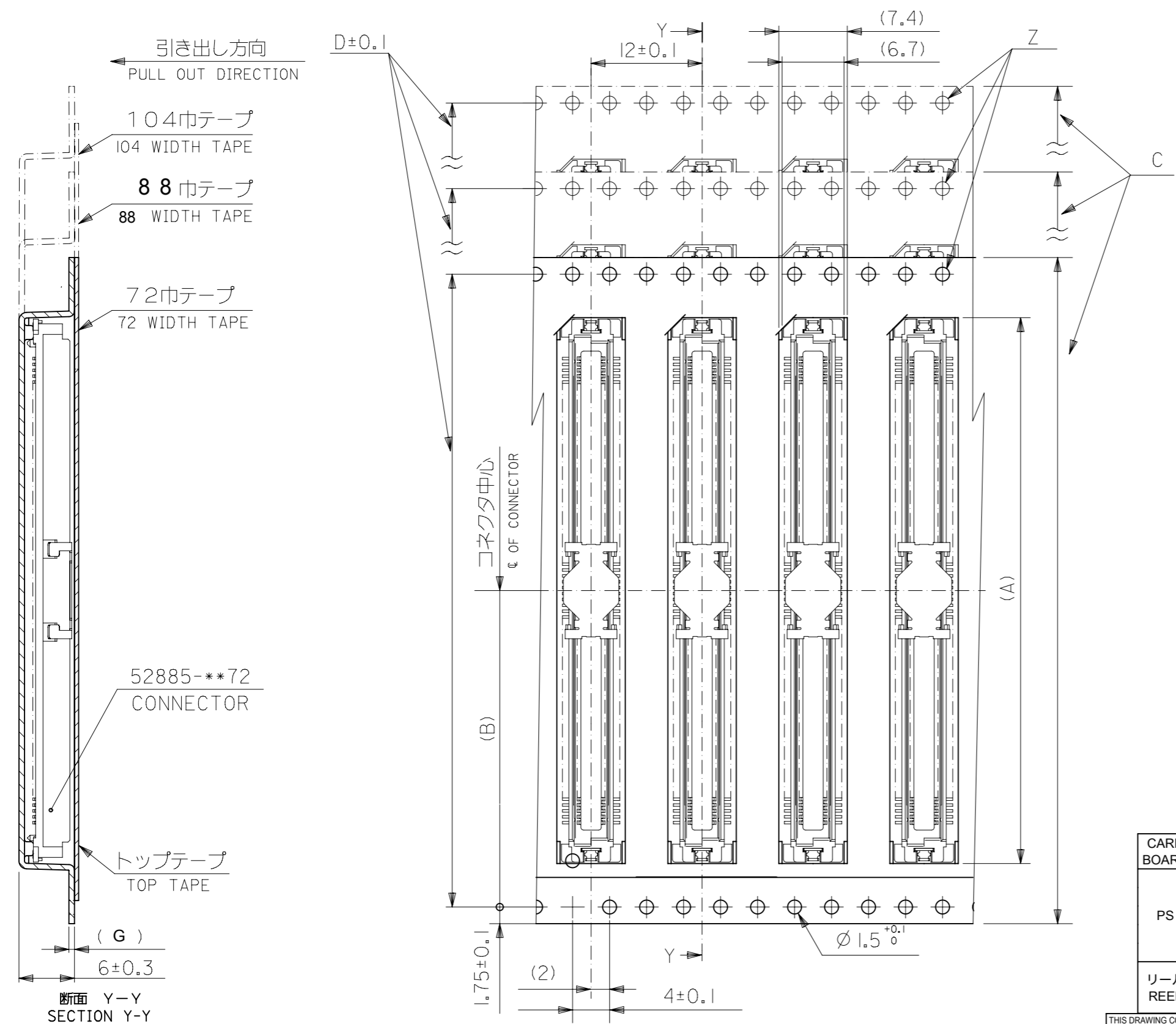
THIS DRAWING CONTAINS INFORMATION THAT IS PROPRIETARY TO MOLEX ELECTRONIC TECHNOLOGIES, LLC AND SHOULD NOT BE USED WITHOUT WRITTEN PERMISSION		CURRENT REV DESC:		molex	
DIMENSION UNITS	SCALE	52885-**72 TAPING PACKAGE -LEAD FREE-			
mm	-	EC NO: 175909		PRODUCT CUSTOMER DRAWING	
GENERAL TOLERANCES (UNLESS SPECIFIED)		DRWN: RMIYAMOTO	2018/03/16	DOCUMENT NUMBER	
ANGULAR TOL	± °	CHK'D: KSASAKI	2018/05/01	SD-52885-004	
4 PLACES	±	APPR: RTAKEUCHI	2018/05/01	DOC TYPE	DOC PART
3 PLACES	±	INITIAL REVISION:		PSD	001
2 PLACES	±	DRWN: MNAGATA	2004/03/19	REVISION	
1 PLACE	±	APPR: MSASAO	2004/03/19	F	
0 PLACES	±	DRAFT WHERE APPLICABLE MUST REMAIN WITHIN DIMENSIONS		SHEET NUMBER	
THIRD ANGLE PROJECTION		DRAWING	SERIES	MATERIAL NUMBER	CUSTOMER
		A3-SIZE	52885	SEE CHART	GENERAL MARKET
				1 OF 3	



PS	PP	0.6	61.4	57.4	52.4	56±0.3	26.2	39.9	52885-1074	100								
								36.8	52885-0974	90								
									33.6	52901-0874	80							
									30.4	52885-0774	70							
									27.2	52885-0674	60							
									24.1	52885-0574	50							
リール REEL	キャリアテープ CARRIER TAPE	G	F	E	D	C キャリアテープ幅 CARRIER TAPE WIDTH	B	A	オーダー番号 ORDER NO.	極数 CKT								
											37.4	33.4	28.4	32±0.3	14.2	20.9	52885-0474	40
											29.4	25.4	-	24±0.3	11.5	17.7	52885-0374	30

THIS DRAWING CONTAINS INFORMATION THAT IS PROPRIETARY TO MOLEX ELECTRONIC TECHNOLOGIES, LLC AND SHOULD NOT BE USED WITHOUT WRITTEN PERMISSION

DIMENSION UNITS mm	SCALE -	CURRENT REV DESC:		molex			
GENERAL TOLERANCES (UNLESS SPECIFIED)							
ANGULAR TOL ± °		EC NO: 175909		52885-***72 TAPING PACKAGE -LEAD FREE-			
4 PLACES ±		DRWN: RMIYAMOTO 2018/03/16		PRODUCT CUSTOMER DRAWING			
3 PLACES ±		CHK'D: KSASAKI 2018/05/01		DOCUMENT NUMBER			
2 PLACES ±		APPR: RTAKEUCHI 2018/05/01		SD-52885-004			
1 PLACE ±		INITIAL REVISION:		DOC TYPE			
0 PLACES ±		DRWN: MNAGATA 2004/03/19		PSD			
		APPR: MSASAO 2004/03/19		DOC PART			
				001			
				REVISION			
				F			
DRAFT WHERE APPLICABLE MUST REMAIN WITHIN DIMENSIONS	THIRD ANGLE PROJECTION	DRAWING	SERIES	MATERIAL NUMBER	CUSTOMER	SHEET NUMBER	
		A3-SIZE	52885	SEE CHART	GENERAL MARKET	2 OF 3	



累積ピッチ : 40±0.2
ACCUMULATIVE PITCH : 40±0.2

CARD BOARD	PP	0.6	-	104.4	100.4	104±0.3	50.2	84.4	52885-2474	240
PS	PS	0.5	94	90	84.4	88±0.3	42.2	71.7	52885-2074	200
								65.4	52885-1874	180
	PP	0.6	78.1	73.5	68.4	72±0.3	34.2	52.6	52885-1474	140
								46.3	52885-1274	120
リール REEL	キャリアテープ CARRIER TAPE	G	F	E	D	C キャリアテープ幅 CARRIER TAPE WIDTH	B	A	オーダー番号 ORDER NO.	極数 CKT

THIS DRAWING CONTAINS INFORMATION THAT IS PROPRIETARY TO MOLEX ELECTRONIC TECHNOLOGIES, LLC AND SHOULD NOT BE USED WITHOUT WRITTEN PERMISSION

DIMENSION UNITS mm	SCALE -	CURRENT REV DESC:		molex	
GENERAL TOLERANCES (UNLESS SPECIFIED)					
ANGULAR TOL ±	°	EC NO: 175909		52885-**72	
4 PLACES ±		DRWN: RMIYAMOTO 2018/03/16		TAPING PACKAGE -LEAD FREE-	
3 PLACES ±		CHK'D: KSASAKI 2018/05/01		PRODUCT CUSTOMER DRAWING	
2 PLACES ±		APPR: RTAKEUCHI 2018/05/01		DOCUMENT NUMBER	
1 PLACE ±		INITIAL REVISION:		DOC TYPE	
0 PLACES ±		DRWN: MNAGATA 2004/03/19		DOC PART	
		APPR: MSASAO 2004/03/19		REVISION	
DRAFT WHERE APPLICABLE MUST REMAIN WITHIN DIMENSIONS	THIRD ANGLE PROJECTION	DRAWING	SERIES	MATERIAL NUMBER	CUSTOMER
		A3-SIZE	52885	SEE CHART	GENERAL MARKET
					SHEET NUMBER
					3 OF 3