

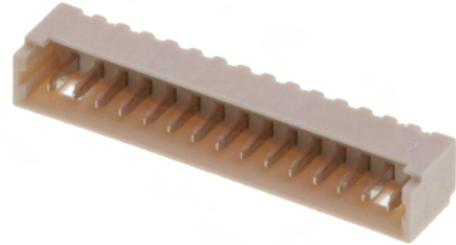
产品编号 : 530471510

Product Description : 1.25mm Pitch,
PicoBlade PCB Header, Single Row,
Vertical, Through Hole, Tin Plating,
Friction Lock, 15 Circuits, Tray, 2.30mm
PC Tail Length

系列号 : 53047

状态 : Active

Product Category : PCB Headers and
Receptacles



文件和资源

图纸

图纸 530471510_sd.pdf

3D 模型和设计文件

2D 图纸 DXF 530471510.dxf

2D 图纸 DXF PDF 530471510.pdf

3D模型 530471510_stp.zip

规格

应用规格 510210000-AS-000.pdf


包装规格 SPK-53047-001-001.pdf

产品规格 510211010-PS-000.pdf

产品规格 510211110-PS-000.pdf

产物环境合规

合规

GADSL/IMDS	Not Relevant
China RoHS	
EU ELV	Not Relevant
Low-Halogen Status	Not Low-Halogen per IEC 61249-2-21
REACH SVHC	Not Contained per D(2023)3788-DC (14 Jun 2023)
EU RoHS	Compliant per EU 2015/863

多部分产品合规性声明

- Eu RoHS

- REACH SVHC

- Low-Halogen

多部分行业合规性文件

- IPC 1752A Class C

- IPC 1752A Class D

- Molex Product Compliance Declaration

- IEC-62474

- chemSHERPA (xml)

欧盟 RoHS 合格证书

产品详情

常规

状态	活动
类别	PCB Headers and Receptacles
系列	53047
说明	1. 25mm Pitch, PicoBlade PCB Header, Single Row, Vertical, Through Hole, Tin Plating, Friction Lock, 15 Circuits, Tray, 2. 30mm PC Tail Length
应用	Signal, Wire-to-Board
元件类型	PCB Header
产品系列	PicoBlade Connector System
产品名称	PicoBlade
UPC	800753565890

机构

UL	E29179
----	--------

电气

每触点最大电流	1.0A
电压 - 最大	125V

物理

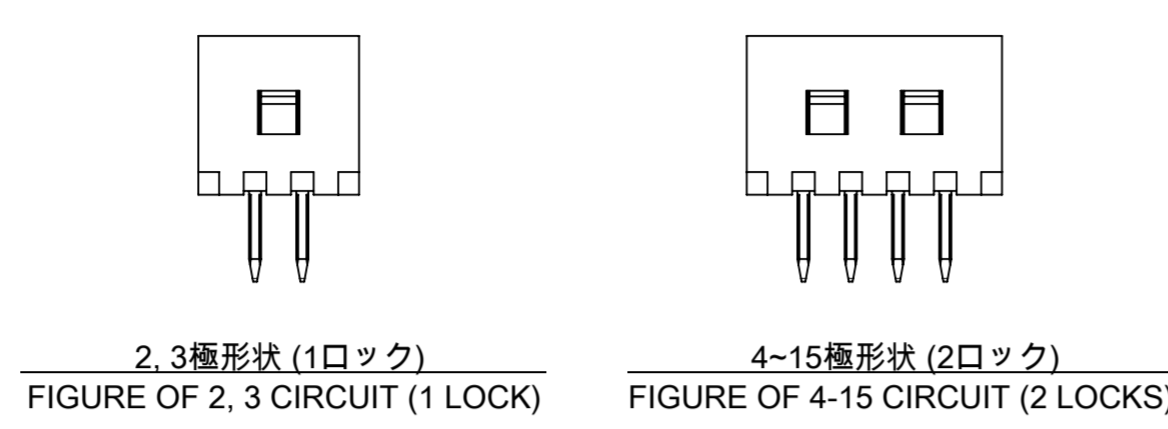
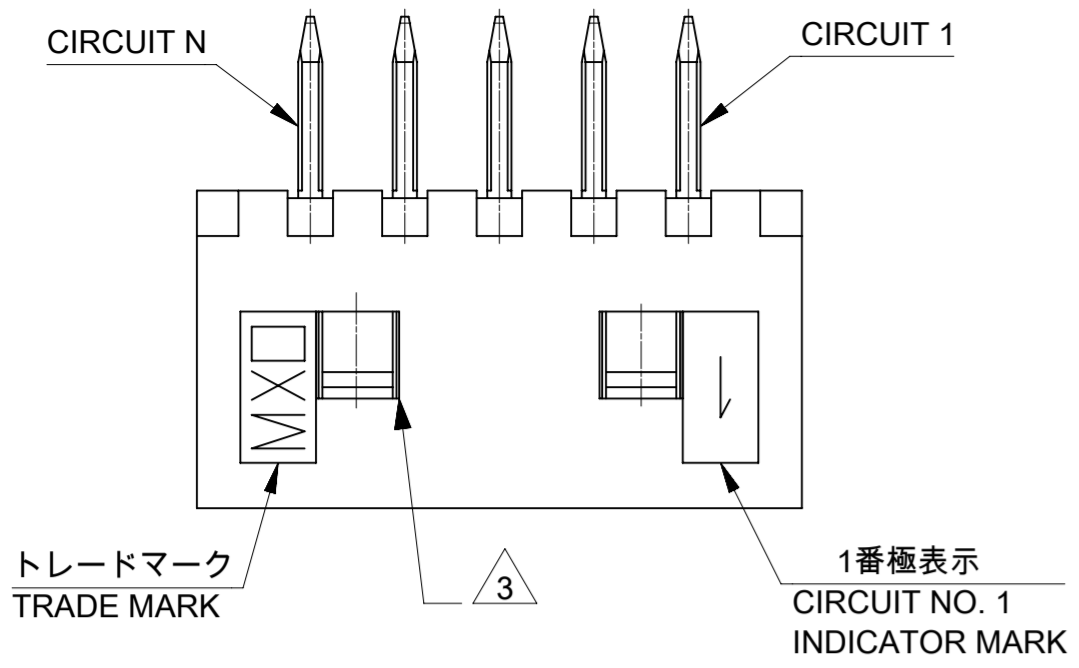
断开	否
回路数 (已载入)	15
电路数 (最多)	15

颜色-树脂	Natural
耐用性(插拔次数) - 最多次数	30
先接后断	否
阻燃性	94V-0
符合灼热丝规范	否
可配插产品指南	否
插接极性	无
锁定插接部位	是
插配长度	5.20mm
材料 - 金属	Phosphor Bronze
材料 - 接合部位电镀	Tin
材料 - 终端电镀	Tin
材料 - 树脂	Nylon
净重	289.200/mg
行数	1
方向	垂直
包装形式	Tray
PC 焊脚长度	2.30mm
PCB 定位器	否
PCB 保持力	无
推荐的 PCB 厚度	0.80mm
间距 - 插配接口	1.25mm
PCB 极性	否
有护墙的	Fully
可堆叠的	否
运行温度范围	-40° to +85° C
终端界面类型	Through Hole

可配插/可连接使用的产品

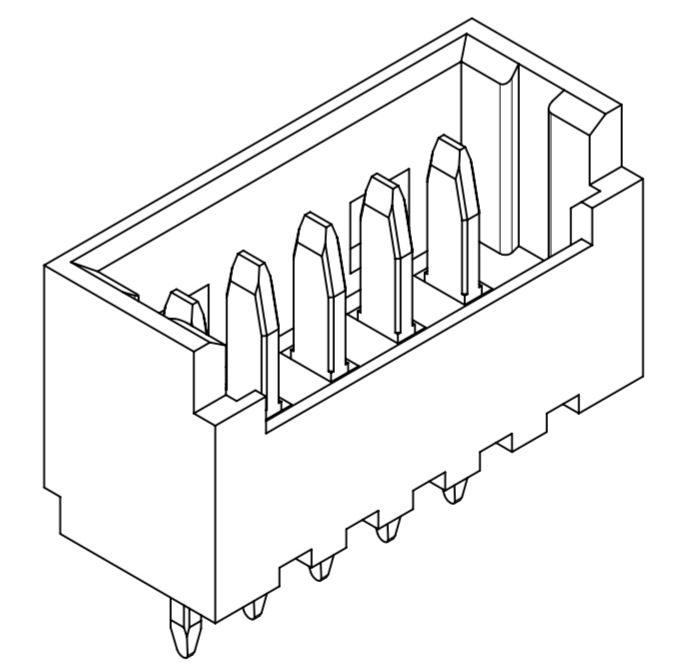
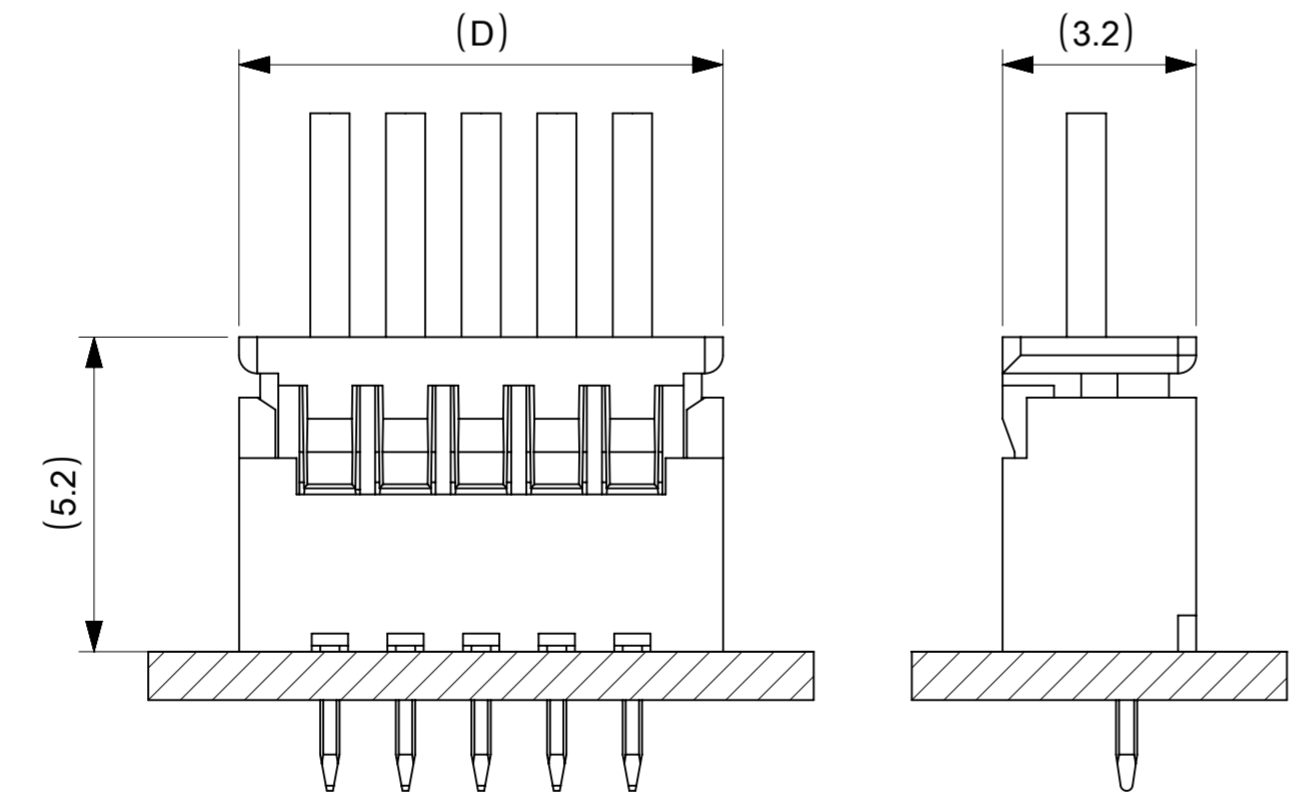
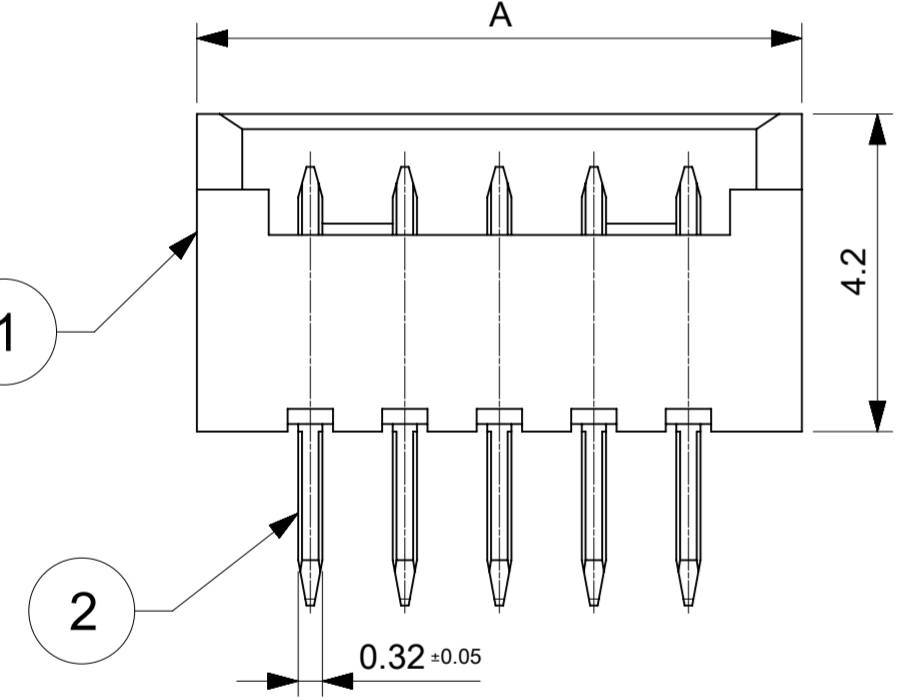
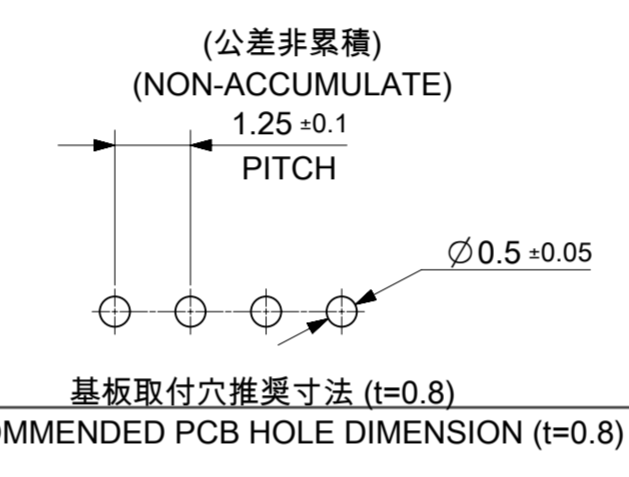
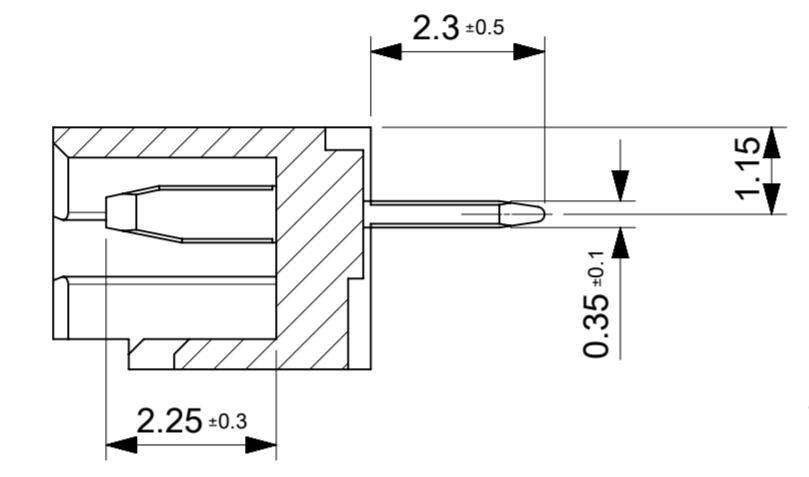
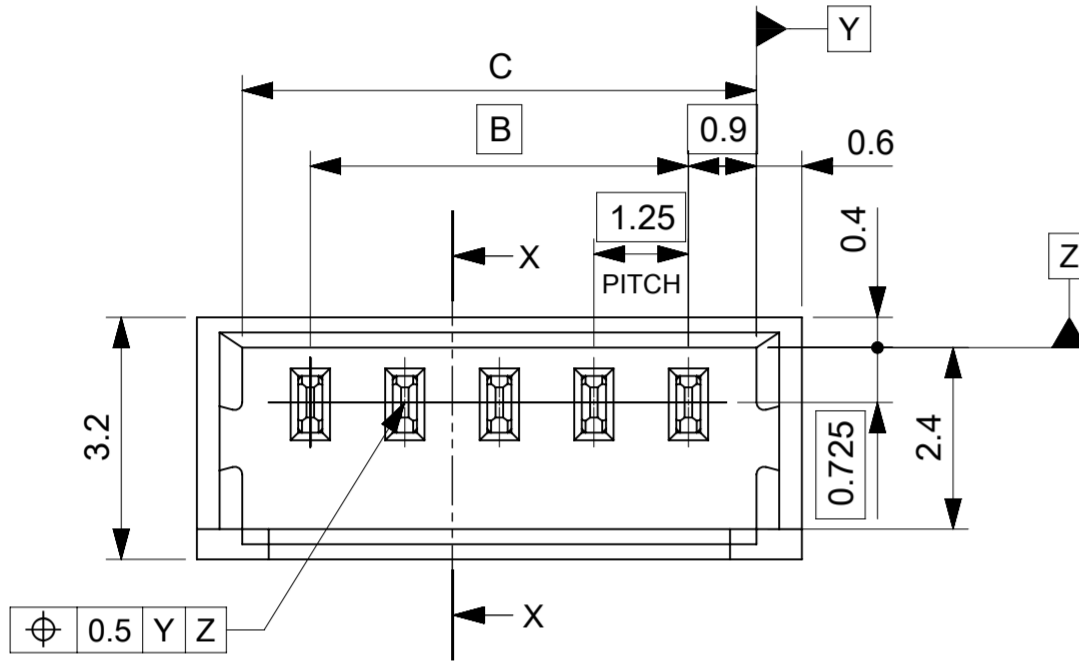
可配插部件

描述	产品编号
PicoBlade Single Row Receptacle Housings	<u>51021</u>



- 注記 NOTES
- ① 材料及び仕上げ (めっき仕様) : TABLE 1 参照
MATERIAL AND FINISHES: SEE TABLE 1
 - ② 適合製品及び各種仕様書はSHEET 2をご参考ください。
PLEASE REFER TO SHEET 2 FOR APPLICABLE PRODUCTS AND VARIOUS SPECIFICATIONS.
 - ③ ロック窓 LOCKING WINDOW:
ロック窓は、2、3極では1ヶ所、4極以上では2ヶ所とする。
ONE PLACE FOR 2 AND 3 CIRCUIT.
TWO PLACES FOR 4 CIRCUIT AND MORE.
 - ④ 本製品はすずめっき品です。金めっき品は530470001-SDをご参照ください。
THIS PRODUCT IS TIN PLATING TYPE.
PLEASE REFER TO 530470001-SD FOR GOLD PLATING TYPE.
 - ⑤ 発注番号
ORDER NUMBER **53047**10**

極数
CIRCUIT



20.5	19.3	17.5	20.5	530471510	15
19.25	18.05	16.25	19.25	530471410	14
18	16.8	15	18	530471310	13
16.75	15.55	13.75	16.75	530471210	12
15.5	14.3	12.5	15.5	530471110	11
14.25	13.05	11.25	14.25	530471010	10
13	11.8	10	13	530470910	9
11.75	10.55	8.75	11.75	530470810	8
10.5	9.3	7.5	10.5	530470710	7
9.25	8.05	6.25	9.25	530470610	6
8	6.8	5	8	530470510	5
6.75	5.55	3.75	6.75	530470410	4
5.5	4.3	2.5	5.5	530470310	3
4.25	3.05	1.25	4.25	530470210	2
D	C	B	A	⑤ オーダー番号 ORDER NO. 梱包形態: トレイ梱包 PACKAGING: PLASTIC TRAY	極数 CIRCUIT

① TABLE 1

① 嵌合図
MATED CONNECTOR

THIS DRAWING CONTAINS INFORMATION THAT IS PROPRIETARY TO MOLEX ELECTRONIC TECHNOLOGIES, LLC AND SHOULD NOT BE USED WITHOUT WRITTEN PERMISSION

DIMENSION UNITS	SCALE	CURRENT REV DESC: REVISED	molex			
mm	NTS					
GENERAL TOLERANCES (UNLESS SPECIFIED)			PICOBLADE 1.25 HEADER ASSY DIP VT TIN PLATING TYPE			
ANGULAR TOL ± 3.0°						
4 PLACES	± 0.2	EC NO: 698818	PRODUCT CUSTOMER DRAWING			
3 PLACES	± 0.2	DRWN: HHUSSIN 2022/02/16				
2 PLACES	± 0.2	CHK'D: SAKIYAMA 2022/04/19	DOCUMENT NUMBER: 530470000-SD DOC TYPE: PSD DOC PART: 000 REVISION: B			
1 PLACE	± 0.2	APPR: AIDA 2022/04/19				
0 PLACES	± 0.2	INITIAL REVISION: DRWN: SOBARA01 2019/04/10	MATERIAL NUMBER: SEE CHART CUSTOMER: GENERAL SHEET NUMBER: 1 OF 2			
DRAFT WHERE APPLICABLE MUST REMAIN WITHIN DIMENSIONS						
THIRD ANGLE PROJECTION		DRAWING: A2-SIZE	SERIES: 53047			

番号 NO.	部品 PART	材質 MATERIAL	
①	ハウジング HOUSING	ポリアミド(PA), UL94V-0, 色: ナチュラル (ホワイト) POLYAMIDE(PA), UL94V-0, COLOR: NATURAL (WHITE)	
②	ターミナル TERMINAL	母材 MATERIAL	りん青銅 PHOSPHOR BRONZE
		コンタクト部 CONTACT AREA	無光沢錫めっき 0.9 MICRO-METER MIN. (リフロー処理、前めっき)
		テール部 TAIL AREA	MATTE TIN PLATING 0.9 MICRO-METER MIN. (REFLOW TREATMENT, PRE-PLATING)
DOCUMENT STATUS	P1	RELEASE DATE	2022/04/19 08:41:22

△ 適合製品及び各種仕様書
 APPLICABLE PRODUCTS AND SPECIFICATIONS

梱包仕様書 PACKING SPECIFICATION		PART NUMBER 53047**10		SPECIFICATION NUMBER SPK-53047-001	
適合ハウジング APPLICABLE HOUSING		PART NUMBER 51021**00			
適合圧着端子 APPLICABLE TERMINAL	PLATING	TIN			
	PART NUMBER	500798*00	500588*00	500798001	500588001
	WIRE SIZE (AWG)	#26-28	#28-32	#26-28	#28-32
製品仕様書 PRODUCT SPECIFICATION		PS-51021-010 PS 001		510211110-PS PS 000	
アプリケーション仕様書 (取扱説明書) APPLICATION SPECIFICATION		510210000-AS PS 000			

THIS DRAWING CONTAINS INFORMATION THAT IS PROPRIETARY TO MOLEX ELECTRONIC TECHNOLOGIES, LLC AND SHOULD NOT BE USED WITHOUT WRITTEN PERMISSION

DIMENSION UNITS mm	SCALE NTS	CURRENT REV DESC: REVISED		molex		
GENERAL TOLERANCES (UNLESS SPECIFIED)		EC NO: 698818				
ANGULAR TOL ± 3.0°	4 PLACES ± 0.2	DRWN: HHUSSIN	2022/02/16	PRODUCT CUSTOMER DRAWING		
3 PLACES ± 0.2	2 PLACES ± 0.2	CHK'D: SAKIYAMA	2022/04/19	DOCUMENT NUMBER		
1 PLACE ± 0.2	0 PLACES ± 0.2	APPR: AIDA	2022/04/19	530470000-SD		
INITIAL REVISION:		DRWN: SOBARA01		DOC TYPE	DOC PART	REVISION
DRAFT WHERE APPLICABLE MUST REMAIN WITHIN DIMENSIONS		APPR: AIDA		2019/04/10	PSD	000
THIRD ANGLE PROJECTION		DRAWING	SERIES	MATERIAL NUMBER	CUSTOMER	SHEET NUMBER
		A2-SIZE	53047	SEE CHART	GENERAL	2 OF 2