



产品编号 : 530480210

**Product Description** : 1.25mm Pitch, PicoBlade PCB Header, Single Row, Right-Angle, Through Hole, Tin (Sn) Plating, Friction Lock, 2 Circuits, Tray, 2.30mm PC Tail Length

系列号 : 53048

**状态** : Active

**Product Category** : PCB Headers and Receptacles

---

## 文件和资源

### 图纸

图纸 530480210\_sd.pdf

### 3D 模型和设计文件

2D 图纸 DXF 530480210.dxf

2D 图纸 DXF PDF 530480210.pdf

3D模型 530480210\_stp.zip

### 规格

应用规格 510210000-AS-000.pdf

包装规格 SPK-53048-001-001.pdf


产品规格 510211010-PS-000.pdf

产品规格 510211111-PS-000.pdf

---

## 产物环境合规

### 合规

GADSL/IMDS	Compliant with Exemption 44
China RoHS	
EU ELV	Not Relevant
Low-Halogen Status	Not Low-Halogen per IEC 61249-2-21
REACH SVHC	Not Contained per D(2023)8585-DC (23 Jan 2024)
EU RoHS	Compliant per EU 2015/863

### 多部分产品合规性声明

- Eu RoHS
- REACH SVHC
- Low-Halogen

- IPC 1752A Class C
- IPC 1752A Class D
- Molex Product Compliance Declaration
- IEC-62474
- chemSHERPA (xml)

欧盟 RoHS 合格证书

## 产品详情

### 常规

状态	活动
类别	PCB Headers and Receptacles
系列	53048
说明	1.25mm Pitch, PicoBlade PCB Header, Single Row, Right-Angle, Through Hole, Tin (Sn) Plating, Friction Lock, 2 Circuits, Tray, 2.30mm PC Tail Length
应用	Signal, Wire-to-Board
元件类型	PCB Header
产品系列	PicoBlade Connector System
产品名称	PicoBlade
UPC	800753750197

### 机构

UL	E29179
----	--------

### 电气

每触点最大电流	1.0A
电压 - 最大	125V

### 物理

断开	否
回路数 (已载入)	2
电路数 (最多)	2
颜色-树脂	Natural
耐用性(插拔次数) - 最多次数	30
先接后断	否

符合灼热丝规范	否
可配插产品指南	否
插接极性	无
锁定插接部位	是
插配长度	3.50mm
材料 - 金属	Phosphor Bronze
材料 - 接合部位电镀	Tin
材料 - 终端电镀	Tin
材料 - 树脂	Nylon
净重	72.920/mg
行数	1
方向	Right Angle
包装形式	Tray
PC 焊脚长度	2.30mm
PCB 定位器	否
PCB 保持力	无
推荐的 PCB 厚度	0.80mm
间距 - 插配接口	1.25mm
PCB 极性	否
有护墙的	Fully
可堆叠的	否
运行温度范围	-40° to +85° C
终端界面类型	Through Hole

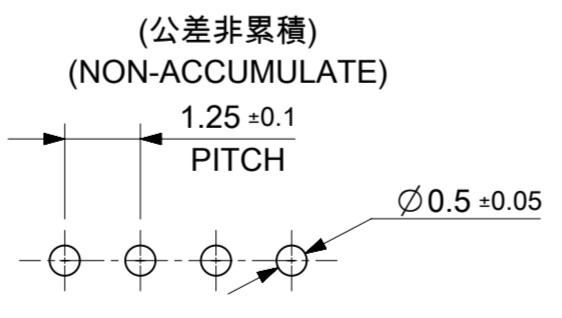
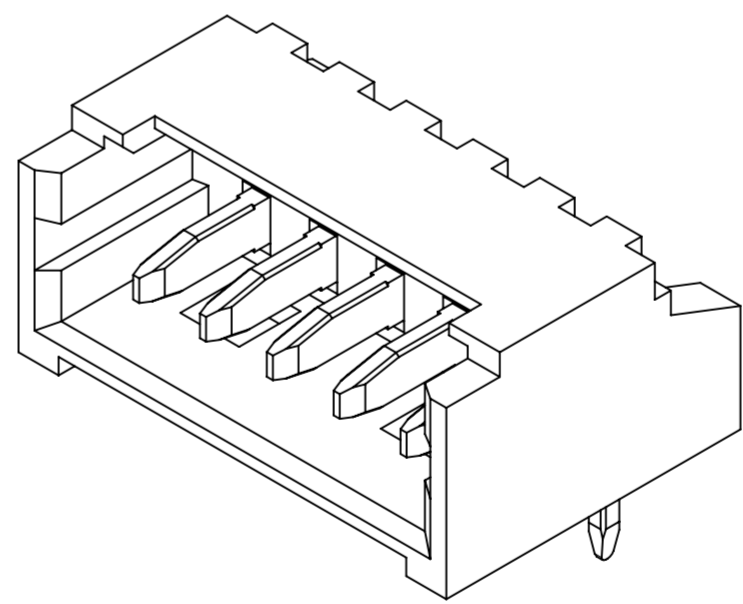
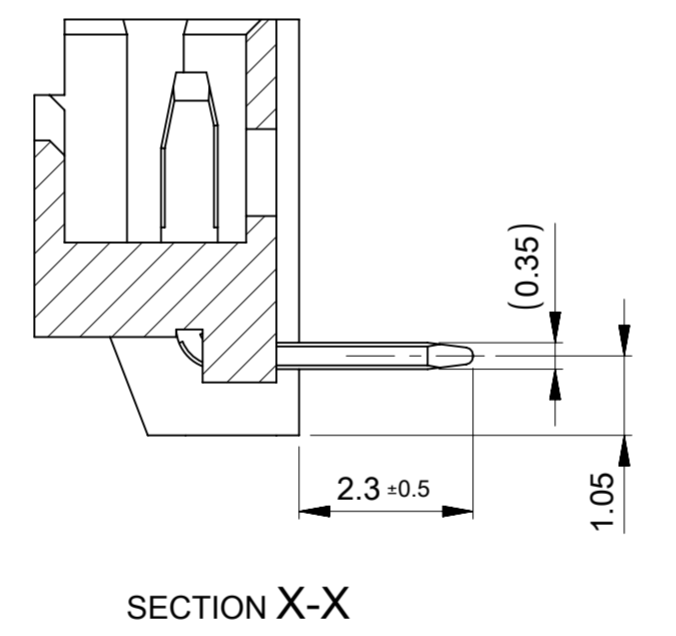
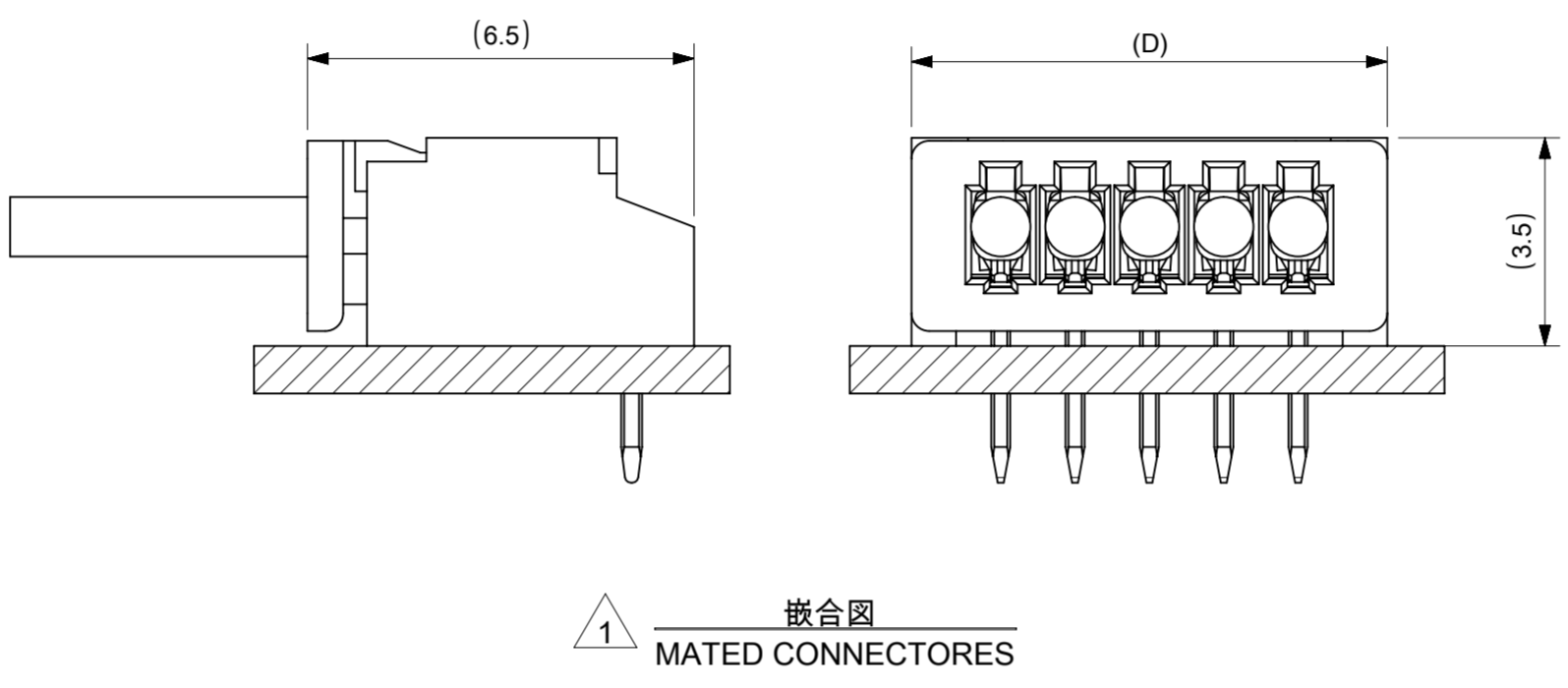
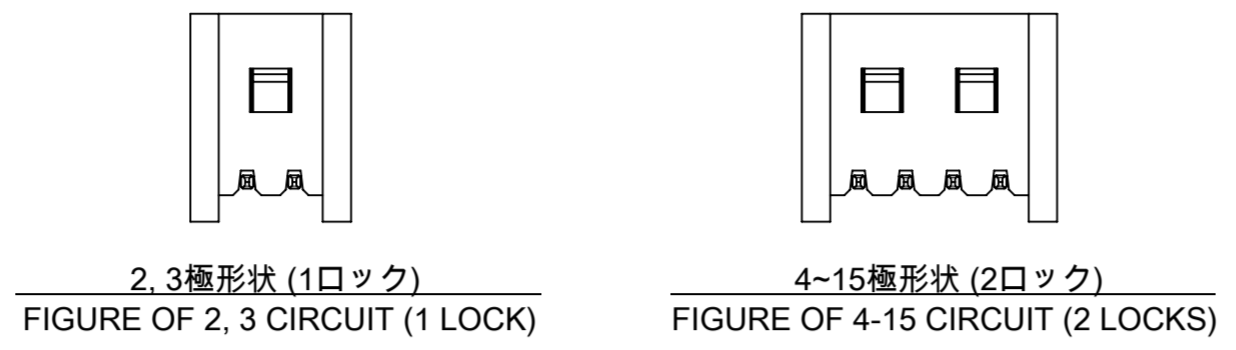
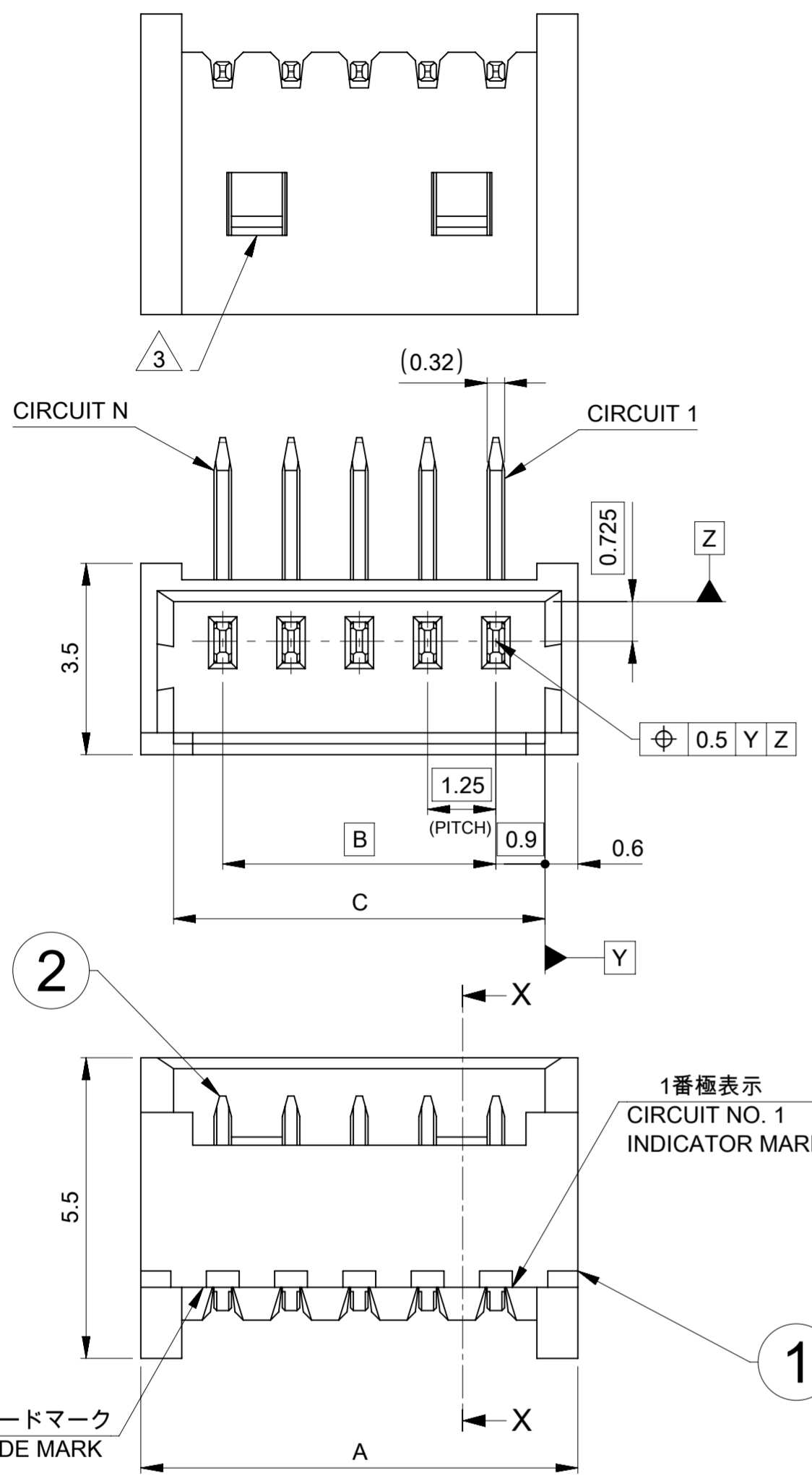
---

## 可配插/可连接使用的产品

### 可配插部件

描述	产品编号
PicoBlade Single Row Receptacle Housings	<u>51021</u>
PicoBlade Female-to-PicoBlade Female Off-the-Shelf (OTS) Cable Assemblies	<u>15134</u>

---



**注記 NOTES**

1. 材料及び仕上げ (めっき仕様) : TABLE 1参照  
MATERIAL AND FINISHES: SEE TABLE 1

2. 適合製品及び各種仕様書はSHEET 2をご参考ください。  
PLEASE REFER TO SHEET 2 FOR APPLICABLE PRODUCTS AND VARIOUS SPECIFICATIONS.

3. ロック窓 LOCKING WINDOW:  
ロック窓は、2、3極では1ヶ所、4極以上では2ヶ所とする。  
ONE PLACE FOR 2 AND 3 CIRCUIT.  
TWO PLACES FOR 4 CIRCUIT AND MORE.

4. 本製品はすずめっき品です。金めっき品は530480000-SDをご参照ください。  
THIS PRODUCT IS TIN PLATING TYPE.  
PLEASE REFER TO 530480000-SD FOR GOLD PLATING TYPE.

5. 発注番号  
ORDER NO. **53048\*\*10**

極数  
CIRCUIT

20.5	19.3	17.5	20.5	530481510	15
19.25	18.05	16.25	19.25	530481410	14
18	16.8	15	18	530481310	13
16.75	15.55	13.75	16.75	530481210	12
15.5	14.3	12.5	15.5	530481110	11
14.25	13.05	11.25	14.25	530481010	10
13	11.8	10	13	530480910	9
11.75	10.55	8.75	11.75	530480810	8
10.5	9.3	7.5	10.5	530480710	7
9.25	8.05	6.25	9.25	530480610	6
8	6.8	5	8	530480510	5
6.75	5.55	3.75	6.75	530480410	4
5.5	4.3	2.5	5.5	530480310	3
4.25	3.05	1.25	4.25	530480210	2

1 TABLE 1

番号 NO.	部品 PART	材質 MATERIAL	
①	ハウジング HOUSING	ポリアミド(PA), UL94V-0, 色 : ナチュラル (ホワイト) POLYAMIDE(PA), UL94V-0, COLOR : NATURAL (WHITE)	
②	ターミナル TERMINAL	母材 MATERIAL	りん青銅 PHOSPHOR BRONZE
		コンタクト部 CONTACT AREA	無光沢錫めっき 0.9 MICRO-METER MIN. (リフロー処理、前めっき)
		テール部 TAIL AREA	MATTE TIN PLATING 0.9 MICRO-METER MIN. (REFLOW TREATMENT, PRE-PLATING)

THIS DRAWING CONTAINS INFORMATION THAT IS PROPRIETARY TO MOLEX ELECTRONIC TECHNOLOGIES, LLC AND SHOULD NOT BE USED WITHOUT WRITTEN PERMISSION

DIMENSION UNITS	SCALE	CURRENT REV DESC: REVISED	
mm	NTS		
GENERAL TOLERANCES (UNLESS SPECIFIED)			
ANGULAR TOL	± 3.0°	EC NO: 698818	
4 PLACES	± 0.2	DRWN: HHUSSIN	2022/02/16
3 PLACES	± 0.2	CHK'D: SAKIYAMA	2022/04/19
2 PLACES	± 0.2	APPR: AIDA	2022/04/19
1 PLACE	± 0.2	INITIAL REVISION:	
0 PLACES	± 0.2	DRWN: SOBARA01	2019/09/26
DRAFT WHERE APPLICABLE MUST REMAIN WITHIN DIMENSIONS		APPR: AIDA	2019/10/15
THIRD ANGLE PROJECTION	DRAWING	SERIES	MATERIAL NUMBER
	A2-SIZE	53048	SEE CHART
CUSTOMER		DOCUMENT NUMBER	DOC TYPE   DOC PART   REVISION
GENERAL		530480001-SD	PSD   000   B
SHEET NUMBER		1 OF 2	

△ 適合製品及び各種仕様書  
**APPLICABLE PRODUCTS AND SPECIFICATIONS**

梱包仕様書 PACKING SPECIFICATION		PART NUMBER 53048**10		SPECIFICATION NUMBER SPK-53048-001	
適合ハウジング APPLICABLE HOUSING		PART NUMBER 51021**00			
適合圧着端子 APPLICABLE TERMINAL	PLATING	TIN			
	PART NUMBER	500798*00	500588*00	500798001	500588001
	WIRE SIZE (AWG)	#26-28	#28-32	#26-28	#28-32
製品仕様書 PRODUCT SPECIFICATION		PS-51021-010 PS 001		510211111-PS PS 000	
アプリケーション仕様書 (取扱説明書) APPLICATION SPECIFICATION		510210000-AS PS 000			

THIS DRAWING CONTAINS INFORMATION THAT IS PROPRIETARY TO MOLEX ELECTRONIC TECHNOLOGIES, LLC AND SHOULD NOT BE USED WITHOUT WRITTEN PERMISSION

DIMENSION UNITS <b>mm</b>	SCALE <b>NTS</b>	CURRENT REV DESC: REVISED		<b>molex</b>		
GENERAL TOLERANCES (UNLESS SPECIFIED)		EC NO: 698818				
ANGULAR TOL ± 3.0°	4 PLACES ± 0.2	DRWN: HHUSSIN	2022/02/16	PRODUCT CUSTOMER DRAWING		
3 PLACES ± 0.2	2 PLACES ± 0.2	CHK'D: SAKIYAMA	2022/04/19	DOCUMENT NUMBER		
1 PLACE ± 0.2	0 PLACES ± 0.2	APPR: AIDA	2022/04/19	530480001-SD		
INITIAL REVISION:		DRWN: SOBARA01		DOC TYPE	DOC PART	REVISION
DRAFT WHERE APPLICABLE MUST REMAIN WITHIN DIMENSIONS		APPR: AIDA		2019/09/26	000	B
THIRD ANGLE PROJECTION		DRAWING	SERIES	MATERIAL NUMBER	CUSTOMER	SHEET NUMBER
		A2-SIZE	53048	SEE CHART	GENERAL	2 OF 2