



产品编号 : 532530970

系列号 : 53253

Product Category : PCB Headers and Receptacles

Product Description : 2.00mm Pitch, Micro-Latch PCB Header, Single Row, Vertical, Through Hole, Tin (Sn) Plating, 9 Circuits, Tray, 3.50mm PC Tail Length

状态 : Active

文件和资源

图纸

图纸 532530970_sd.pdf

3D 模型和设计文件

2D 图纸 DXF 532530970.dxf

2D 图纸 DXF PDF 532530970.pdf

3D模型 532530970_stp.zip

规格


包装规格 SPK-53253-001-001.pdf

产品规格 510650000-PS-000.pdf

产品规格 510651000-PS-000.pdf

产物环境合规

合规

GADSL/IMDS	Not Relevant
China RoHS	
EU ELV	Not Relevant
Low-Halogen Status	Not Low-Halogen per IEC 61249-2-21
REACH SVHC	Not Contained per D(2023)8585-DC (23 Jan 2024)
EU RoHS	Compliant per EU 2015/863

多部分产品合规性声明

- Eu RoHS
- REACH SVHC
- Low-Halogen
- IPC 1752A Class C

- IPC 1752A Class D
- Molex Product Compliance Declaration
- IEC-62474
- chemSHERPA (xml)

欧盟 RoHS 合格证书

产品详情

常规

状态	活动
类别	PCB Headers and Receptacles
系列	53253
说明	2.00mm Pitch, Micro-Latch PCB Header, Single Row, Vertical, Through Hole, Tin (Sn) Plating, 9 Circuits, Tray, 3.50mm PC Tail Length
应用	Signal, Wire-to-Board
元件类型	PCB Header
产品系列	Micro-Latch Wire-to-Board Connector System
产品名称	Micro-Latch
UPC	756054354070

机构

UL	E29179
----	--------

电气

每触点最大电流	2.0A
电压 - 最大	125V

物理

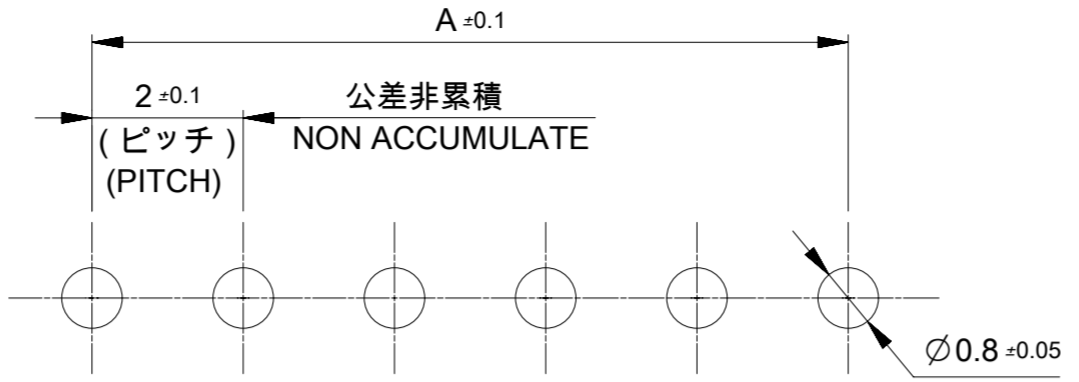
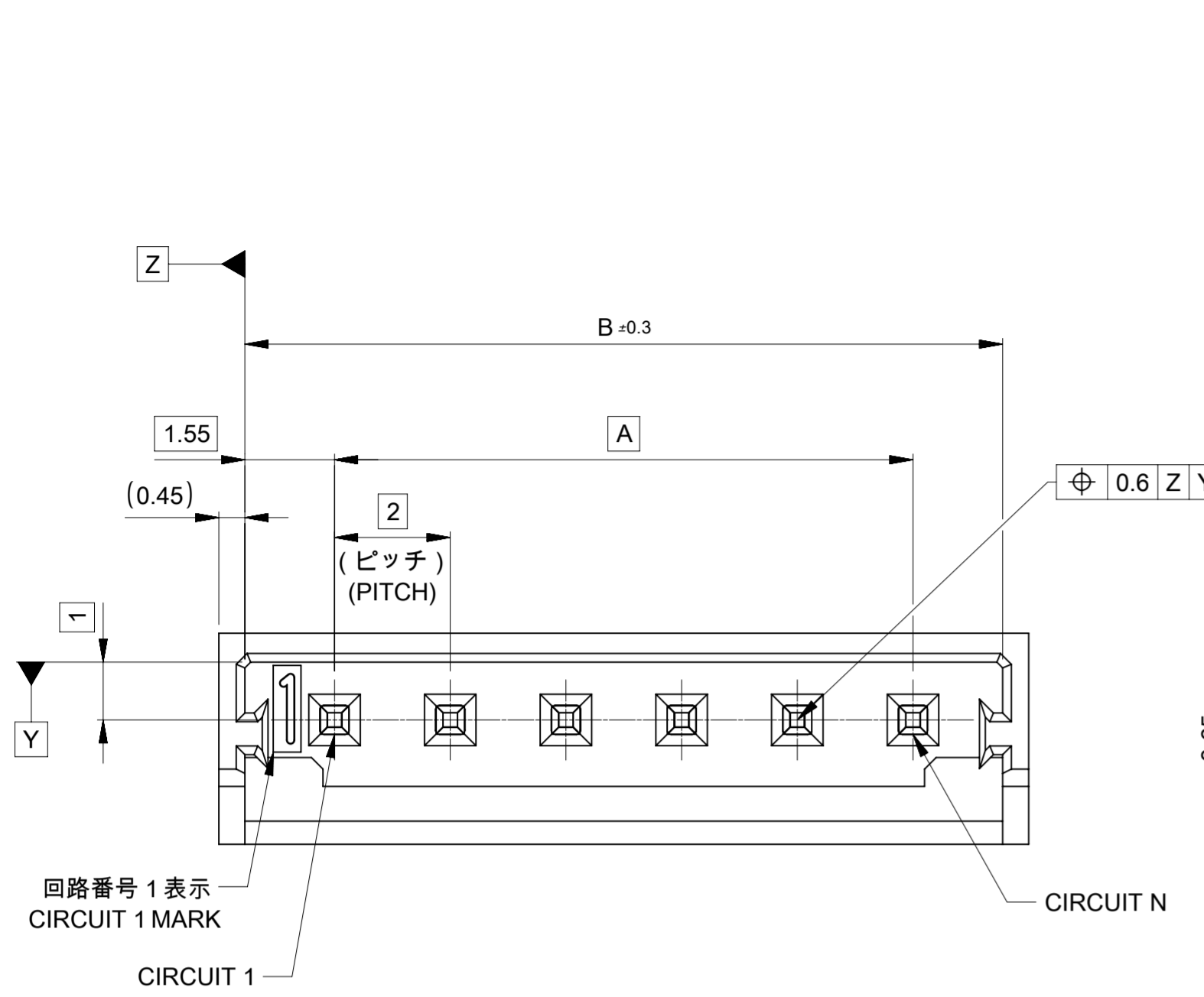
断开	否
回路数 (已载入)	9
电路数 (最多)	9
颜色-树脂	Natural
耐用性(插拔次数) - 最多次数	30
先接后断	否

符合灼热丝规范	否
锁定插接部位	是
材料 - 金属	Brass
材料 - 接合部位电镀	Tin
材料 - 终端电镀	Tin
材料 - 树脂	Nylon
净重	345.000/mg
行数	1
方向	垂直
包装形式	Tray
PC 焊脚长度	3.50mm
PCB 定位器	否
PCB 保持力	是
推荐的 PCB 厚度	1.60mm
间距 - 插配接口	2.00mm
最薄镀层 - 接合部位	1.016µm
最薄镀层 - 端接	1.016µm
有极性的插配件	是
PCB 极性	否
有护墙的	Partial
可堆叠的	否
运行温度范围	-55° to +105° C
终端界面类型	Through Hole

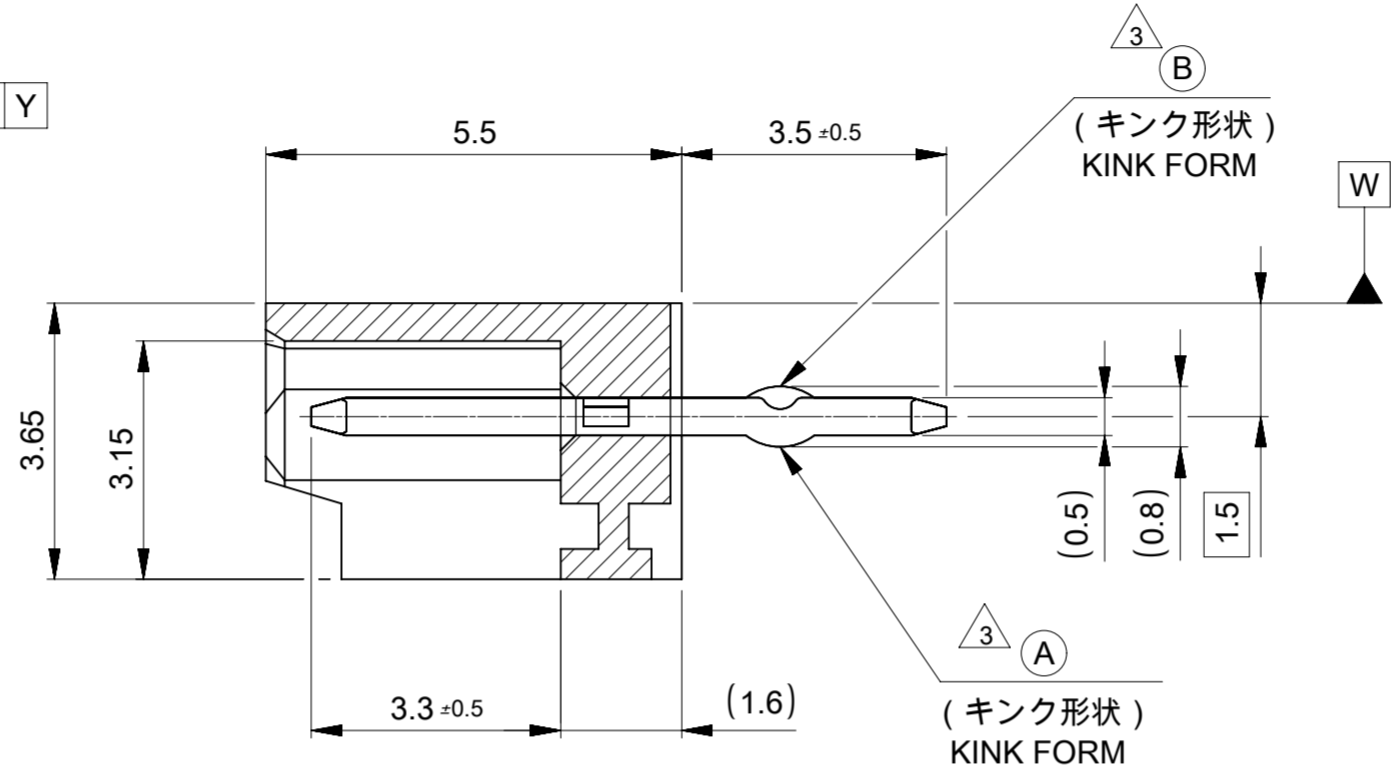
可配插/可连接使用的产品

可配插部件

描述	产品编号
Micro-Latch Single Row Receptacle Housings	<u>51065</u>



5. 基板取付穴寸法 (参考) (t = 1.6)
RECOMMENDED P.C. BOARD HOLE DIMENSION (REFERENCE)

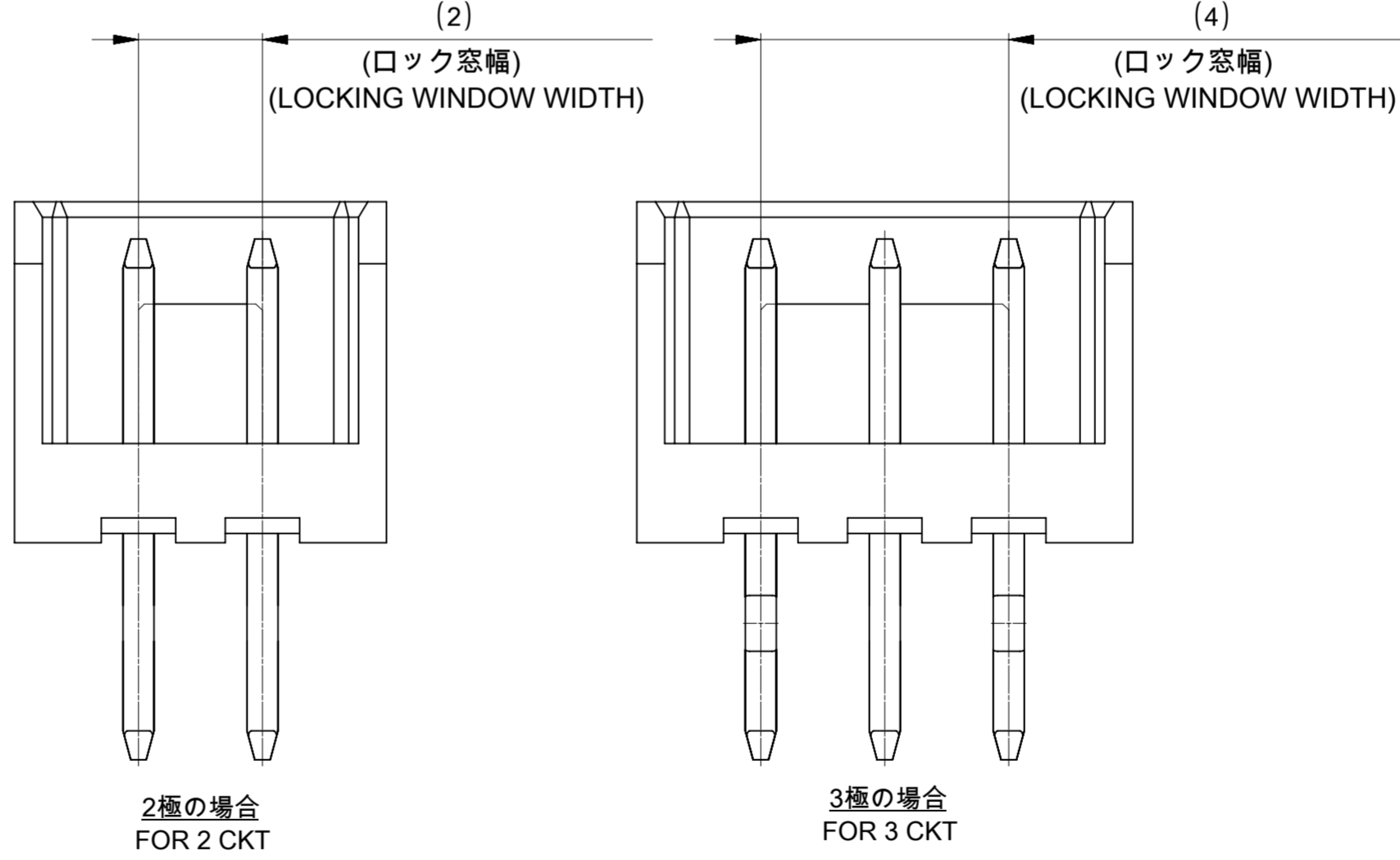
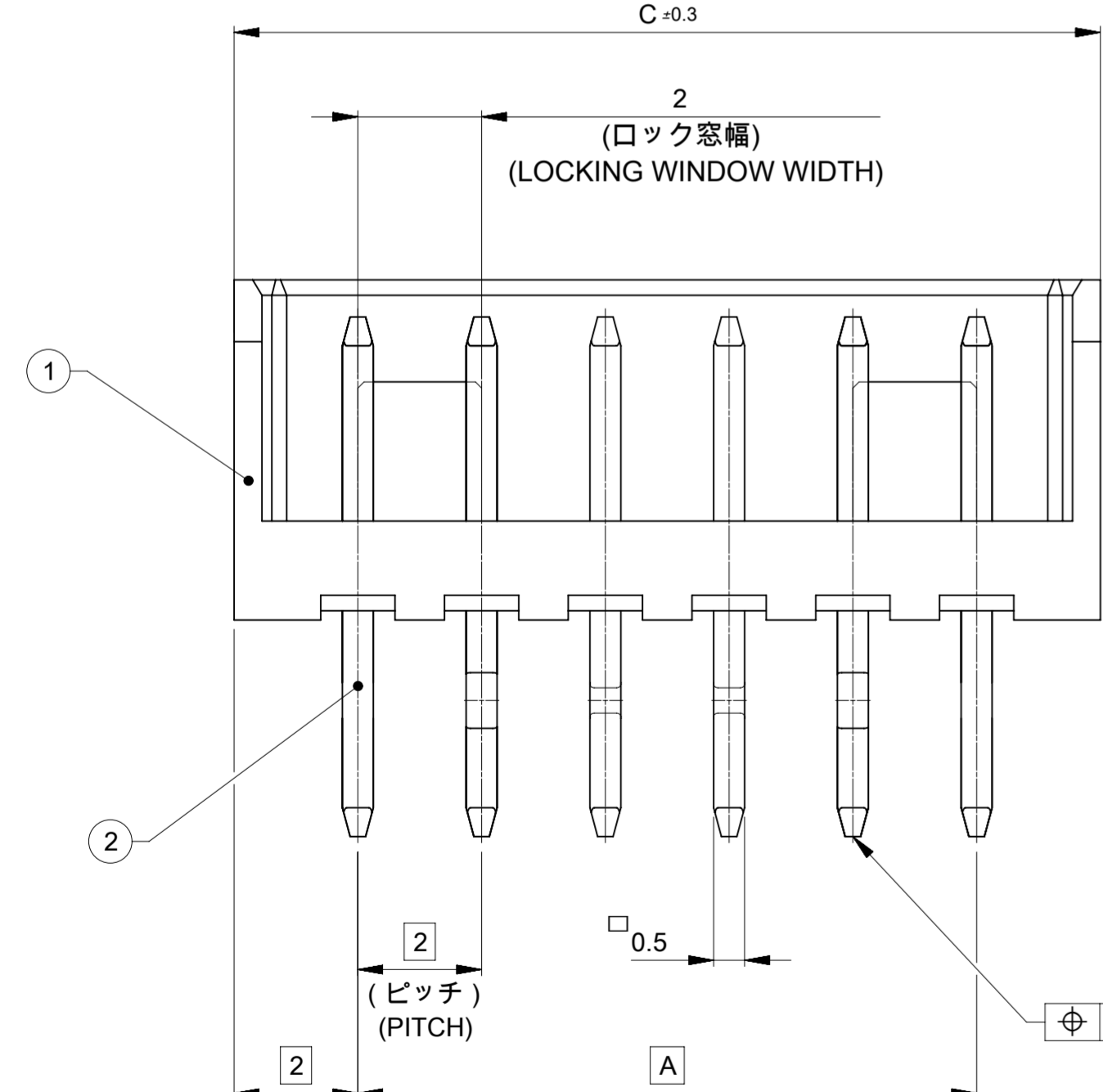


NOTES

- 1. 材料及仕上げ (めっき仕様) : TABLE 1参照
MATERIAL AND FINISHES: SEE TABLE 1
- 2. 適用製品及び各種仕様書はSHEET 2をご参考ください。
PLEASE REFER TO SHEET 2 FOR APPLICABLE PRODUCTS AND VARIOUS SPECIFICATIONS.
- 3. キンクは下記表の位置及び形状に付加のこと。2極はキンク無し。
KINK TO BE APPLIED AS FOLLOWS, 2 CIRCUIT HAS NO KINK.

極数 CKT	回路番号 CIRCUIT NO							
	1	2	3	4	5	N-2	N-1	N
6極以上 MORE THAN 6 CKT	-	(A)	(B)	-	-	(B)	(A)	-
5極 5CKT	(A)	(B)	-	(B)	(A)			
4極 4CKT	(A)	(B)	(B)	(A)				
3極 3CKT	(A)	(B)	(A)					

- 4. 本製品は錫めっき品です。金めっきは5026030000-SD/PSD/000を御参照ください。
THIS PRODUCT IS A TIN PLATING, PLEASE REFER TO 5026030000-SD/PSD/000 FOR GOLD PLATING.
- 5. 本製品間の実装には極性はありません。
極数番号は記載していません。
PART-TO-PCB MOUNTING IS NOT POLARIZED:
NO CIRCUIT NUMBERING IS REQUIRED.



32	31.1	28	532531570	15
30	29.1	26	532531470	14
28	27.1	24	532531370	13
26	25.1	22	532531270	12
24	23.1	20	532531170	11
22	21.1	18	532531070	10
20	19.1	16	532530970	9
18	17.1	14	532530870	8
16	15.1	12	532530770	7
14	13.1	10	532530670	6
12	11.1	8	532530570	5
10	9.1	6	532530470	4
8	7.1	4	532530370	3
6	5.1	2	532530270	2
C	B	A	トレイ TRAY	極数 CKT
			材料番号 MATERIAL NO	

THIS DRAWING CONTAINS INFORMATION THAT IS PROPRIETARY TO MOLEX ELECTRONIC TECHNOLOGIES, LLC AND SHOULD NOT BE USED WITHOUT WRITTEN PERMISSION

DIMENSION UNITS	SCALE	CURRENT REV	DESC:
mm	NTS	2019/09/24	REDRAWN AND REVISED
GENERAL TOLERANCES (UNLESS SPECIFIED)			
ANGULAR TOL	± 3.0°	EC NO: 636761	
4 PLACES	± 0.2	DRWN:	HHUSSIN
3 PLACES	± 0.2	CHK'D:	SAKIYAMA
2 PLACES	± 0.2	APPR:	KOMURAKAMI
1 PLACE	± 0.2	INITIAL REVISION:	
0 PLACES	± 0.2	DRWN:	HHUSSIN
DRAFT WHERE APPLICABLE MUST REMAIN WITHIN DIMENSIONS			
THIRD ANGLE PROJECTION	DRAWING	SERIES	53253
	A2-SIZE	MATERIAL NUMBER	532530000-SD

molex

MICRO-LATCH 2.0 WT
VERTICAL HEADER ASSY

PRODUCT CUSTOMER DRAWING

DOCUMENT NUMBER: 532530000-SD
DOC TYPE: PSD
DOC PART: 000
REVISION: A

CUSTOMER: GENERAL
SHEET NUMBER: 1 OF 2

NO	部品 PART	材質 MATERIAL
1	ハウジング HOUSING	ポリアミド(PA)、UL94V-0、色: ナチュラル (ベージュ) POLYAMIDE(PA), UL94V-0, COLOR: NATURAL (BEIGE)
2	ターミナル TERMINAL	黄銅 BRASS
		下地めっき UNDER PLATING めっき PLATING
		ニッケルめっき : 0.5 micro-meters MIN NICKEL PLATING: 0.5 micro-meters MIN
		リフロー処理 (前めっき) REFLOW TREATMENT (PRE-PLATING)

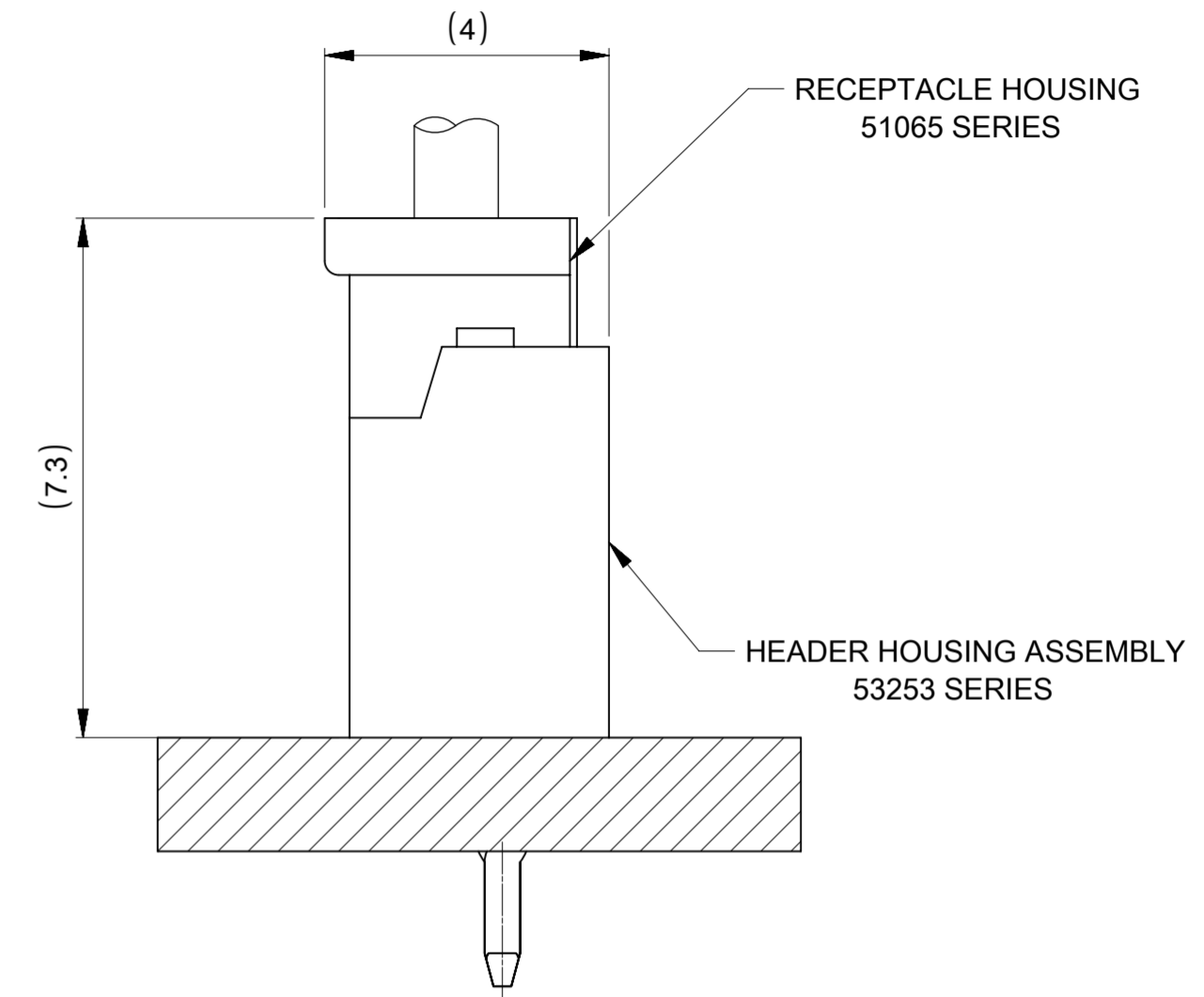
DOCUMENT STATUS	P1	RELEASE DATE	2020/05/01	01:51:29
-----------------	----	--------------	------------	----------

△ 適用製品及び各種仕様書
 APPLICABLE PRODUCTS AND VARIOUS SPECIFICATIONS

梱包仕様書 PACKING SPECIFICATION	PART NUMBER	SPECIFICATION NUMBER
	53253**70	SPK-53253-001

適用ハウジング APPLICABLE HOUSING	SINGLE TYPE
シリーズ番号 SERIES NO	51065
製品仕様書 PRODUCT SPECIFICATION	510650000-PS/PS/000

適用端子 APPLICABLE TERMINAL	PART NUMBER	PLATING TYPE	WIRE SIZE (AWG)
	502128*00	TIN	#24-30
	503728*00		#22-26



51065シリーズ/53253シリーズ 嵌合状態図 参考
 51065 SERIES/ 53253 SERIES MATED DRAWING (REF)

THIS DRAWING CONTAINS INFORMATION THAT IS PROPRIETARY TO MOLEX ELECTRONIC TECHNOLOGIES, LLC AND SHOULD NOT BE USED WITHOUT WRITTEN PERMISSION									
DIMENSION UNITS	SCALE	CURRENT REV DESC: REDRAWN AND REVISED				molex			
mm	NTS								
GENERAL TOLERANCES (UNLESS SPECIFIED)						MICRO-LATCH 2.0 WTB VERTICAL HEADER ASSY			
ANGULAR TOL	± 3.0°	EC NO: 636761				PRODUCT CUSTOMER DRAWING			
4 PLACES	± 0.2	DRWN: HHUSSIN		2019/09/24		DOCUMENT NUMBER			
3 PLACES	± 0.2	CHK'D: SAKIYAMA		2020/04/30					
2 PLACES	± 0.2	APPR: KOMURAKAMI		2020/05/01		532530000-SD		DOC TYPE	
1 PLACE	± 0.2	INITIAL REVISION:						PSD	
0 PLACES	± 0.2	DRWN: HHUSSIN		2019/09/24		000		REVISION	
DRAFT WHERE APPLICABLE MUST REMAIN WITHIN DIMENSIONS		THIRD ANGLE PROJECTION		DRAWING		SERIES		SHEET NUMBER	
		A2-SIZE		53253		GENERAL		2 OF 2	