



产品编号 : 532540270

系列号 : 53254

Product Category : PCB Headers and Receptacles

Product Description : 2.00mm Pitch, Micro-Latch PCB Header, Single Row, Right-Angle, Through Hole, Tin (Sn) Plating, 2 Circuits, Tray, 3.50mm PC Tail Length

状态 : Active

文件和资源

图纸

图纸 532540270_sd.pdf

3D 模型和设计文件

2D 图纸 DXF 532540270.dxf

2D 图纸 DXF PDF 532540270.pdf

3D模型 532540270_stp.zip

规格


包装规格 532549200-SPK-200.pdf

产品规格 510650000-PS-000.pdf

产品规格 510651000-PS-000.pdf

产物环境合规

合规

GADSL/IMDS	Not Relevant
China RoHS	
EU ELV	Not Relevant
Low-Halogen Status	Not Low-Halogen per IEC 61249-2-21
REACH SVHC	Not Contained per D(2023)8585-DC (23 Jan 2024)
EU RoHS	Compliant per EU 2015/863

多部分产品合规性声明

- Eu RoHS
- REACH SVHC
- Low-Halogen
- IPC 1752A Class C

- IPC 1752A Class D
- Molex Product Compliance Declaration
- IEC-62474
- chemSHERPA (xml)

欧盟 RoHS 合格证书

产品详情

常规

状态	活动
类别	PCB Headers and Receptacles
系列	53254
说明	2.00mm Pitch, Micro-Latch PCB Header, Single Row, Right-Angle, Through Hole, Tin (Sn) Plating, 2 Circuits, Tray, 3.50mm PC Tail Length
应用	Signal, Wire-to-Board
元件类型	PCB Header
产品系列	Micro-Latch Wire-to-Board Connector System
产品名称	Micro-Latch
UPC	756054354148

机构

UL	E29179
----	--------

电气

每触点最大电流	2.0A
电压 - 最大	250V

物理

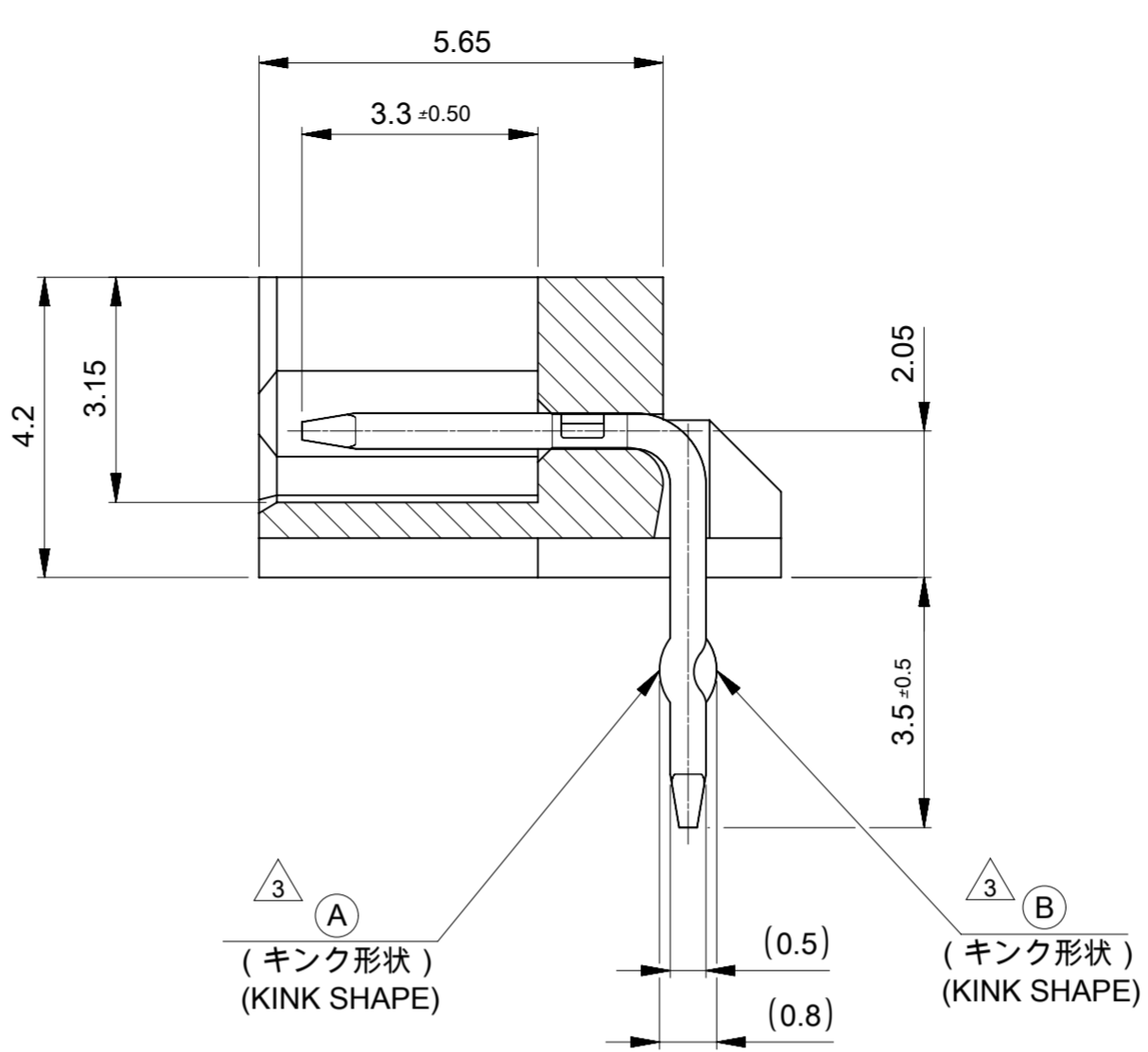
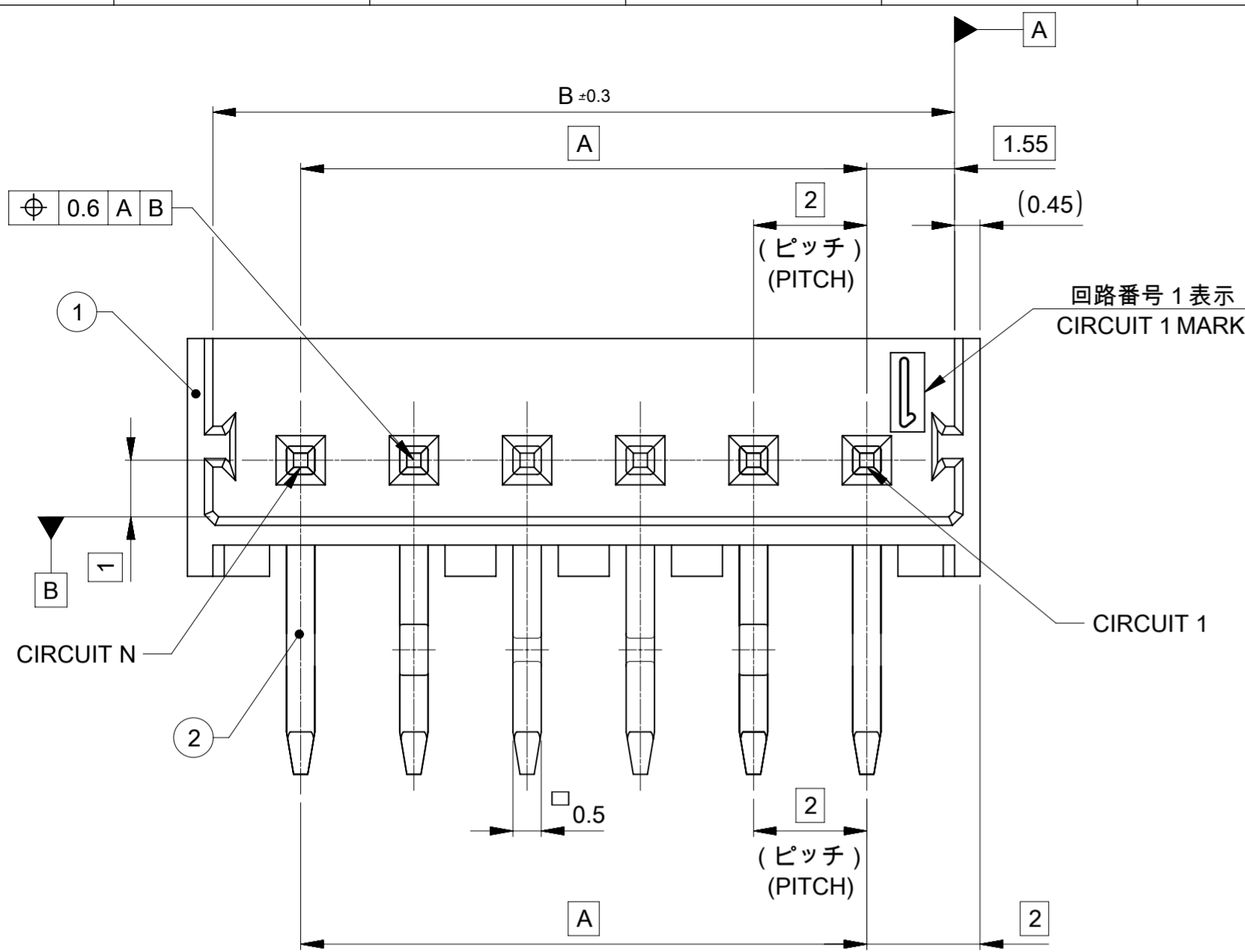
断开	否
回路数 (已载入)	2
电路数 (最多)	2
颜色-树脂	Natural
耐用性(插拔次数) - 最多次数	30
先接后断	否

符合灼热丝规范	否
锁定插接部位	是
材料 - 金属	Brass
材料 - 接合部位电镀	Tin
材料 - 终端电镀	Tin
材料 - 树脂	Nylon
净重	138.000/mg
行数	1
方向	Right Angle
包装形式	Tray
PC 焊脚长度	3.50mm
PCB 定位器	否
PCB 保持力	是
推荐的 PCB 厚度	1.60mm
间距 - 插配接口	2.00mm
最薄镀层 - 接合部位	1.016 μ m
最薄镀层 - 端接	1.016 μ m
有极性的插配件	是
PCB 极性	否
有护墙的	Partial
可堆叠的	否
运行温度范围	-55° to +105° C
终端界面类型	Through Hole

可配插/可连接使用的产品

可配插部件

描述	产品编号
Micro-Latch Single Row Receptacle Housings	<u>51065</u>



NOTES

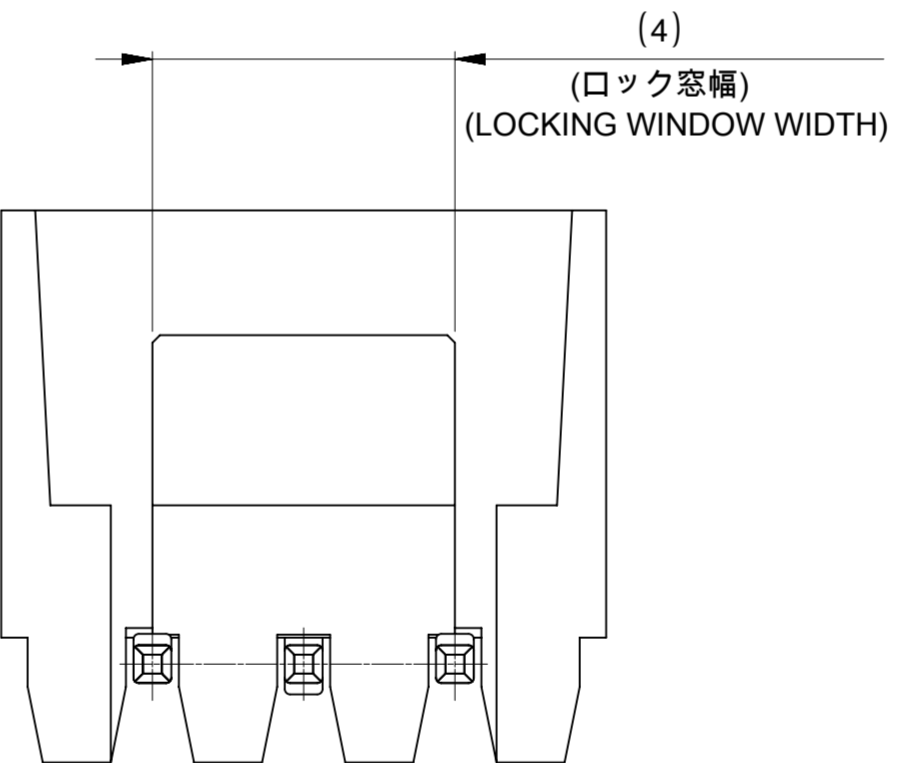
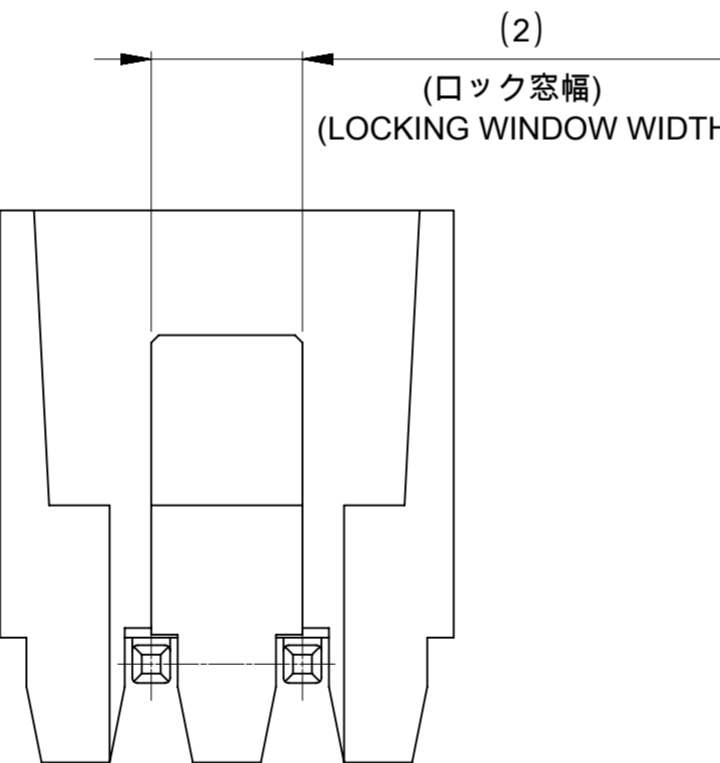
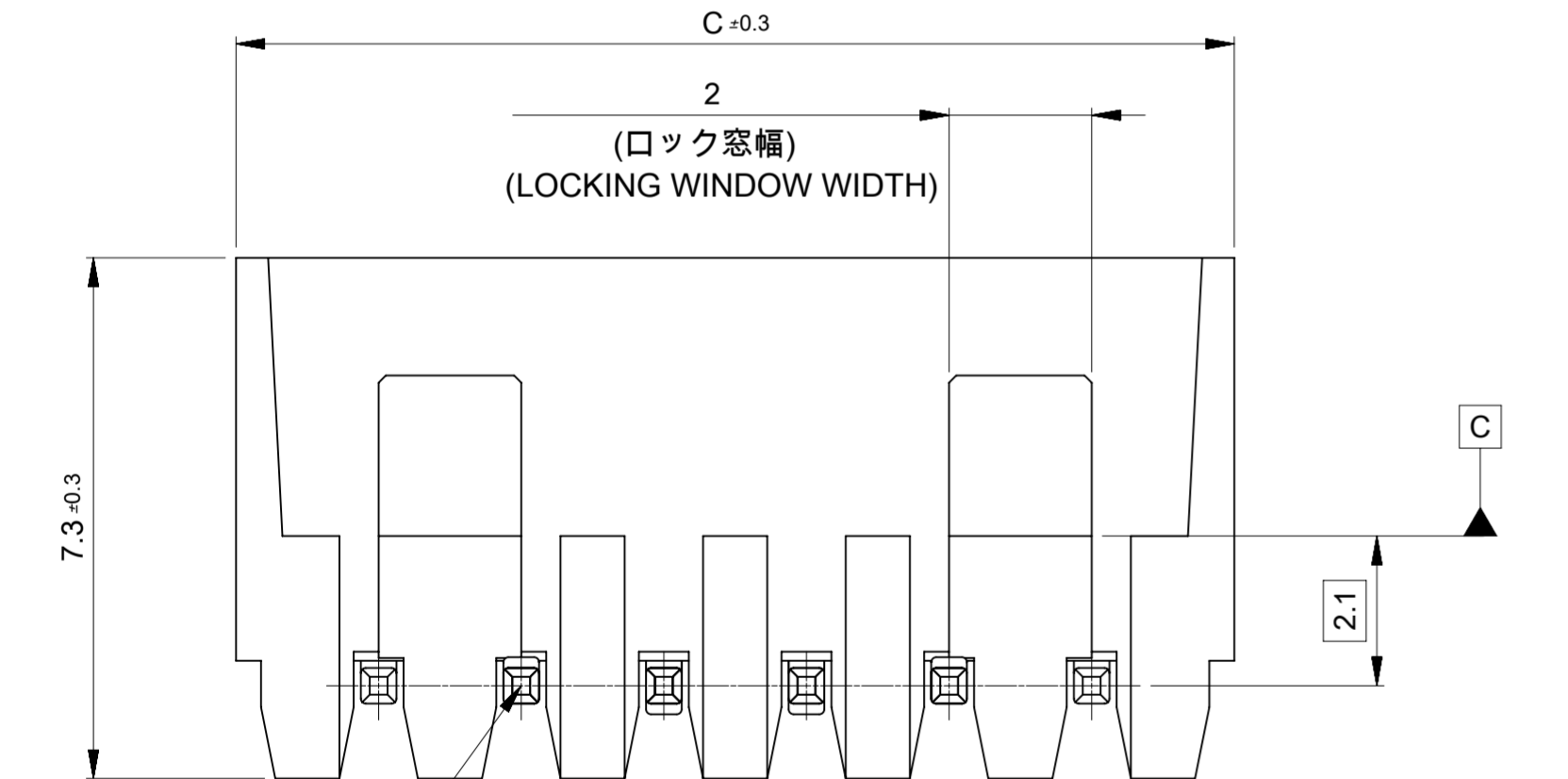
① 材料及び仕上げ (めっき仕様) : TABLE 1参照
 MATERIAL AND FINISHES: SEE TABLE 1

② 適用製品及び各種仕様書はSHEET 2をご参考ください
 PLEASE REFER TO SHEET 2 FOR APPLICABLE PRODUCTS AND VARIOUS SPECIFICATIONS.

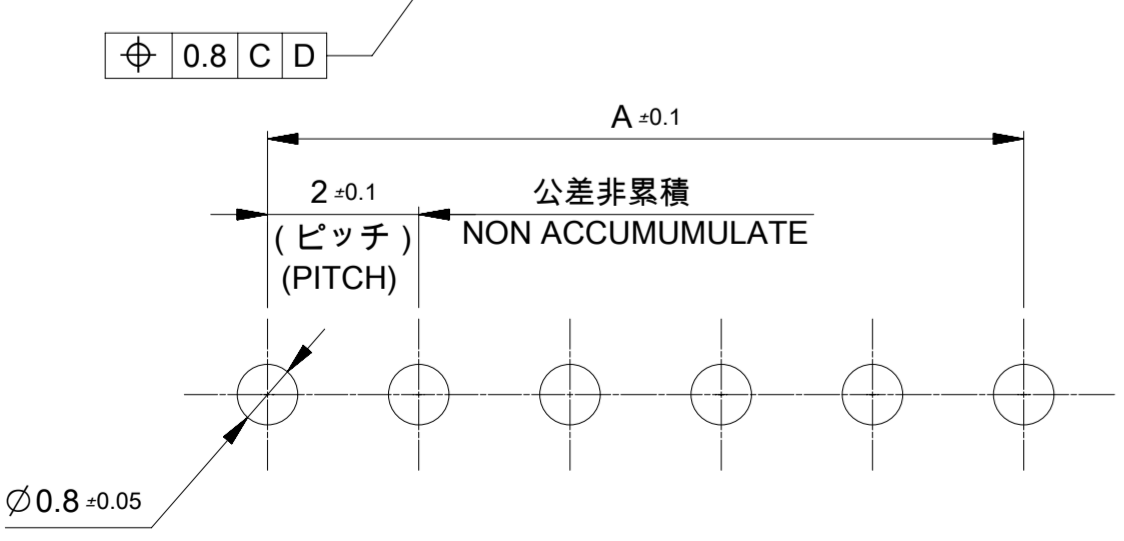
③ キंकは下記表の位置及び形状に付加のこと。2極はキंक無し。
 KINK TO BE APPLIED AS FOLLOWS, 2 CIRCUIT HAS NO KINK.

極数 CKT	回路番号 CIRCUIT NO	回路番号 CIRCUIT NO							
		1	2	3	4	5	N-2	N-1	N
6極以上 MORE THAN 6 CKT		-	(A)	(B)	-	-	(B)	(A)	-
5極 5CKT		(A)	(B)	-	(B)	(A)			
4極 4CKT		(A)	(B)	(B)	(A)				
3極 3CKT		(A)	(B)	(A)					

④ PART-PCB間の実装には極性がありません。
 極数番号は記載していません。
 PART-TO-PCB MOUNTING IS NOT POLARIZED:
 NO CIRCUIT NUMBERING IS REQUIRED.



32	31.1	28	532541570	15
30	29.1	26	532541470	14
28	27.1	24	532541370	13
26	25.1	22	532541270	12
24	23.1	20	532541170	11
22	21.1	18	532541070	10
20	19.1	16	532540970	9
18	17.1	14	532540870	8
16	15.1	12	532540770	7
14	13.1	10	532540670	6
12	11.1	8	532540570	5
10	9.1	6	532540470	4
8	7.1	4	532540370	3
6	5.1	2	532540270	2
C	B	A	トレイ TRAY	極数 CKT
			材料番号 MATERIAL NO	



① TABLE 1

NO	部品 PART	材質 MATERIAL
①	ハウジング HOUSING	ポリアミド(PA)、UL94V-0、色: ナチュラル (ベージュ) POLYAMIDE(PA), UL94V-0, COLOR: NATURAL (BEIGE)
②	ターミナル TERMINAL	黄銅 BRASS
		下地めっき UNDER PLATING: ニッケルめっき : 0.5 micro-meters MIN NICKEL PLATING: 0.5 micro-meters MIN
	めっき PLATING	錫めっき : 1.0 micro-meter MIN リフロー処理 (前めっき) MATTE TIN: 1.0 micro-meter MIN REFLOW TREATMENT (PRE-PLATING)

THIS DRAWING CONTAINS INFORMATION THAT IS PROPRIETARY TO MOLEX ELECTRONIC TECHNOLOGIES, LLC AND SHOULD NOT BE USED WITHOUT WRITTEN PERMISSION

DIMENSION UNITS: mm SCALE: NTS

GENERAL TOLERANCES (UNLESS SPECIFIED): ANGULAR TOL ± 3.0°

CURRENT REV DESC: REDRAWN AND REVISED

EC NO: 636761
 DRWN: HHUSSIN 2019/10/21
 CHK'D: SAKIYAMA 2020/04/30
 APPR: KOMURAKAMI 2020/05/01

PRODUCT CUSTOMER DRAWING

INITIAL REVISION: DRWN: HHUSSIN 2019/10/21
 APPR: KOMURAKAMI 2020/05/01

DOCUMENT NUMBER: 532540000-SD DOC TYPE: PSD DOC PART: 000 REVISION: A

DRAFT WHERE APPLICABLE MUST REMAIN WITHIN DIMENSIONS

THIRD ANGLE PROJECTION

DRAWING: A2-SIZE SERIES: 53254

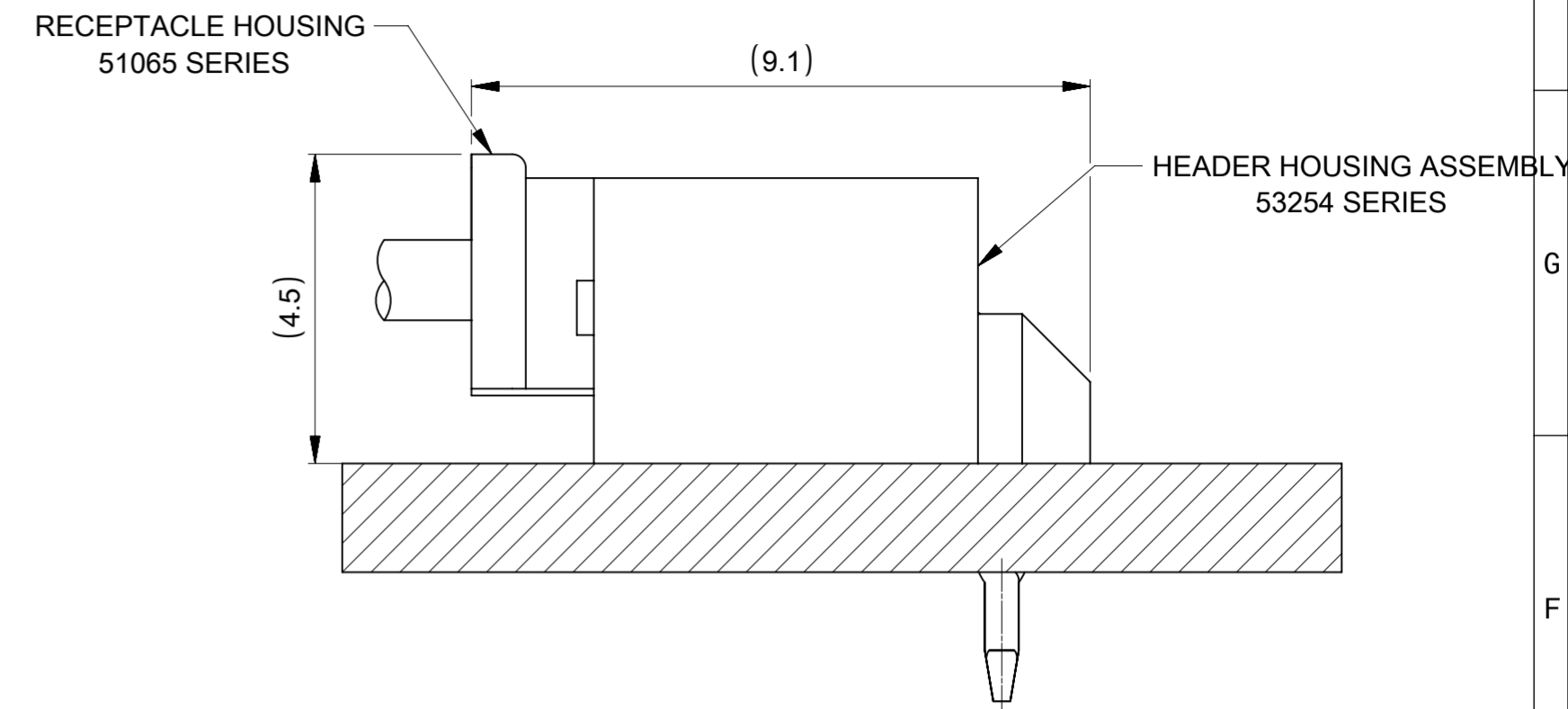
MATERIAL NUMBER: GENERAL CUSTOMER: SHEET NUMBER: 1 OF 2

△ 適用製品及び各種仕様書
 APPLICABLE PRODUCTS AND VARIOUS SPECIFICATIONS

梱包仕様書 PACKING SPECIFICATION	PART NUMBER	SPECIFICATION NUMBER
	53254**70	532549200-SPK

適用ハウジング APPLICABLE HOUSING	SINGLE TYPE
シリーズ番号 SERIES NO	51065
製品仕様書 PRODUCT SPECIFICATION	510650000-PS/PS/000

適用端子 APPLICABLE TERMINAL	PART NUMBER	PLATING TYPE	WIRE SIZE (AWG)
	502128*00	TIN	#24-30
	503728*00		#22-26



51065シリーズ/53254シリーズ 嵌合状態図 参考
 51065 SERIES/ 53254 SERIES MATED DRAWING (REF)

THIS DRAWING CONTAINS INFORMATION THAT IS PROPRIETARY TO MOLEX ELECTRONIC TECHNOLOGIES, LLC AND SHOULD NOT BE USED WITHOUT WRITTEN PERMISSION										
DIMENSION UNITS	SCALE	CURRENT REV DESC: REDRAWN AND REVISED				molex				
mm	NTS									
GENERAL TOLERANCES (UNLESS SPECIFIED)						MICRO-LATCH 2.0 RA RIGHT-ANGLE HEADER ASSY				
ANGULAR TOL	± 3.0°					PRODUCT CUSTOMER DRAWING				
4 PLACES	± 0.2	EC NO: 636761								
3 PLACES	± 0.2	DRWN: HHUSSIN	2019/10/21							
2 PLACES	± 0.2	CHK'D: SAKIYAMA	2020/04/30							
1 PLACE	± 0.2	APPR: KOMURAKAMI	2020/05/01							
0 PLACES	± 0.2	INITIAL REVISION:				DOCUMENT NUMBER		DOC TYPE	DOC PART	REVISION
DRAFT WHERE APPLICABLE MUST REMAIN WITHIN DIMENSIONS		DRWN: HHUSSIN		2019/10/21		532540000-SD		PSD	000	A
		APPR: KOMURAKAMI		2020/05/01		MATERIAL NUMBER		CUSTOMER		SHEET NUMBER
		THIRD ANGLE PROJECTION		DRAWING	SERIES	GENERAL				2 OF 2
		A2-SIZE		53254						