



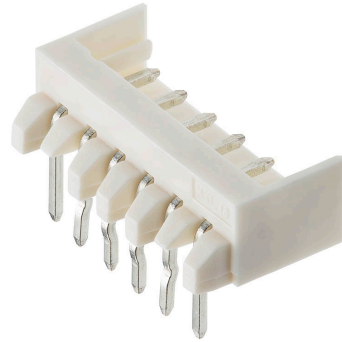
产品编号：[532540970](#)

Product Description：2.00mm Pitch, Micro-Latch PCB Header, Single Row, Right-Angle, Through Hole, Tin (Sn) Plating, 9 Circuits, Tray, 3.50mm PC Tail Length

系列号：53254

状态：Active

Product Category：PCB Headers and Receptacles



---

## 文件和资源

### 图纸

[图纸 532540970\\_sd.pdf](#)

### 3D 模型和设计文件

[2D 图纸 DXF 532540970.dxf](#)

[2D 图纸 DXF PDF 532540970.pdf](#)

[3D模型 532540970\\_stp.zip](#)

### 规格

[包装规格 532549200-SPK-200.pdf](#)

[产品规格 510650000-PS-000.pdf](#)

[产品规格 510651000-PS-000.pdf](#)

---

## 产物环境合规

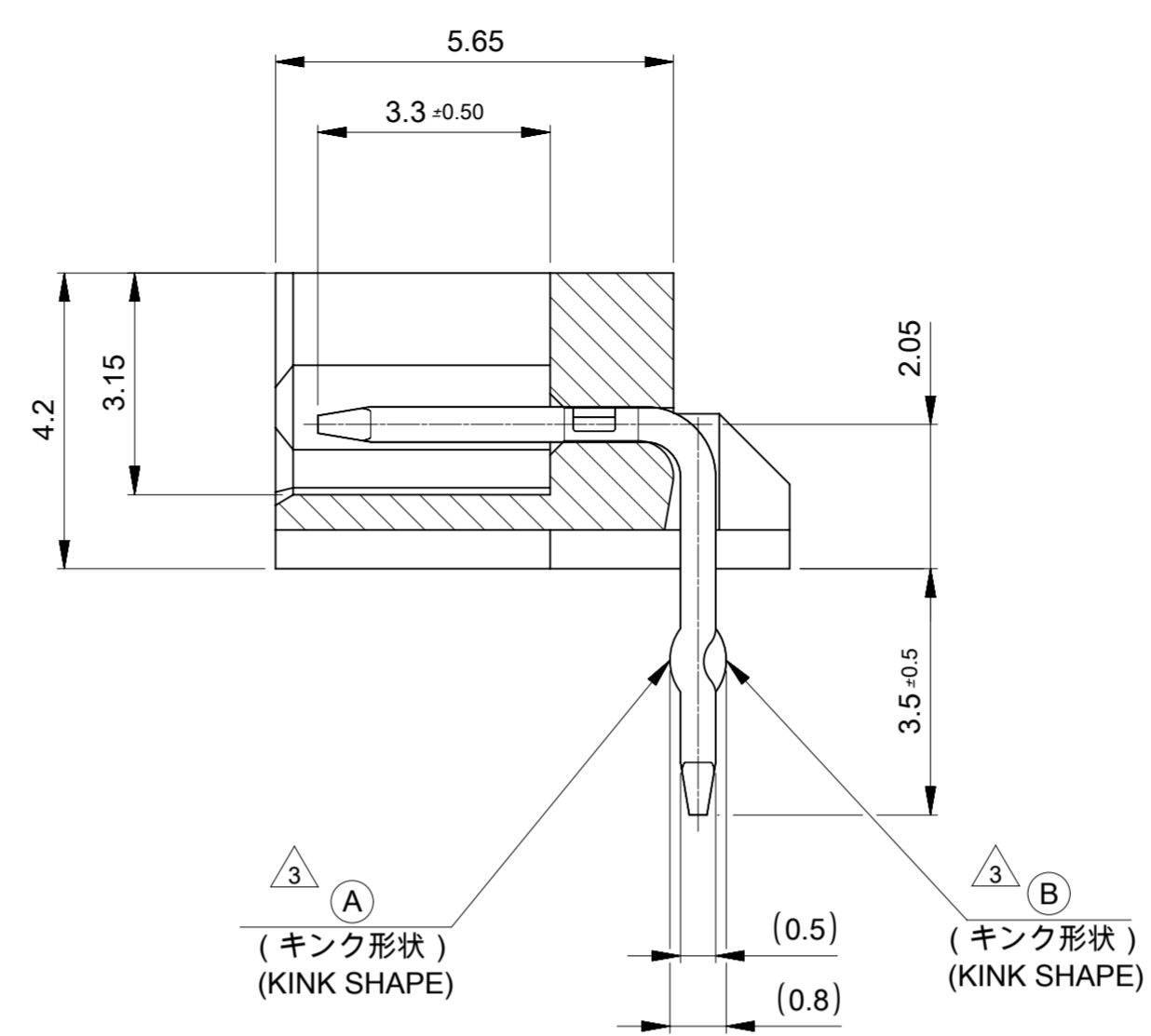
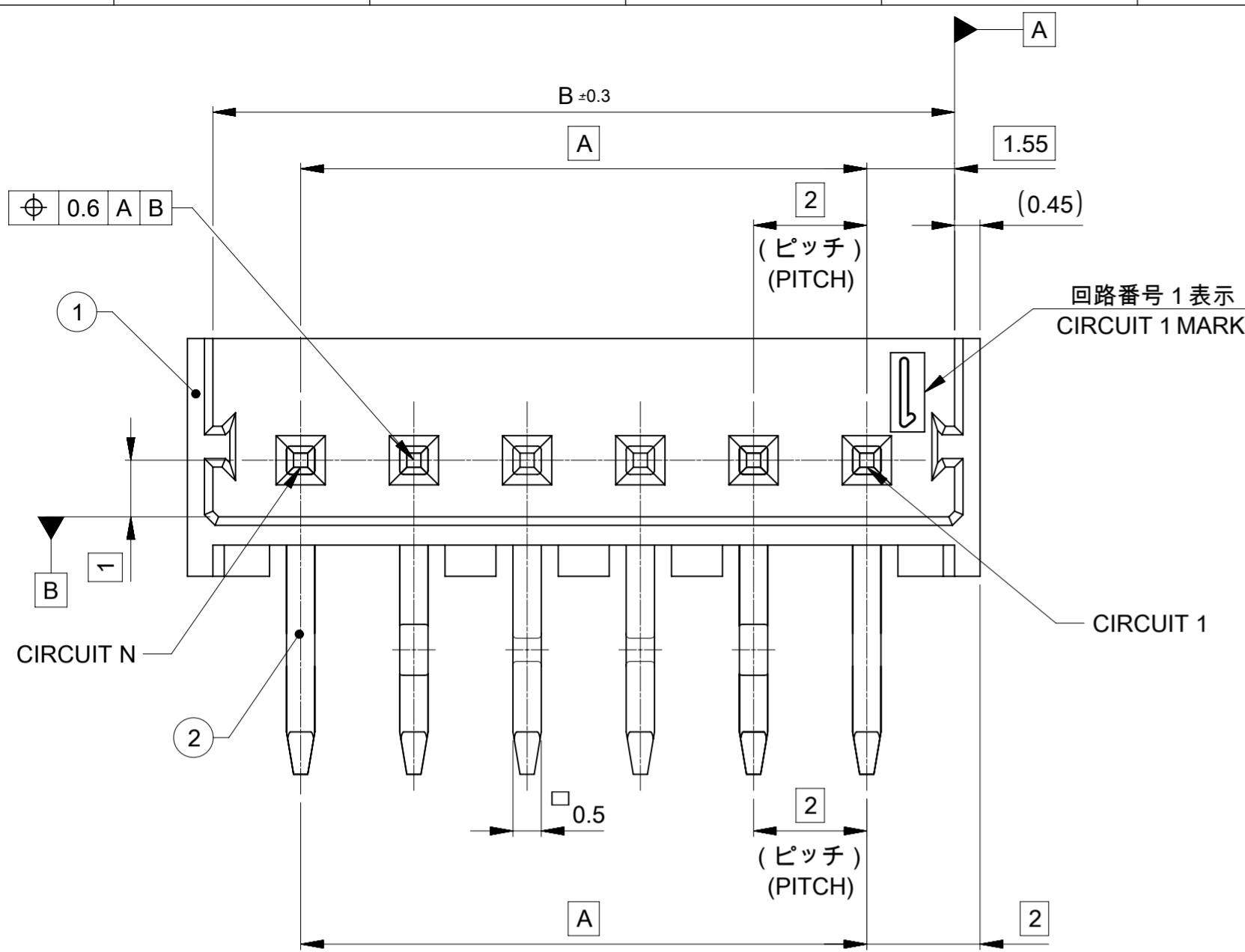
### 合规

GADSL/IMDS	Not Relevant
China RoHS	
EU ELV	Not Relevant
Low-Halogen Status	Not Low-Halogen per IEC 61249-2-21
REACH SVHC	Not Contained per D(2023)3788-DC (14 Jun 2023)
EU RoHS	Compliant per EU 2015/863

### 多部分产品合规性声明

- Eu RoHS

- REACH SVHC



**NOTES**

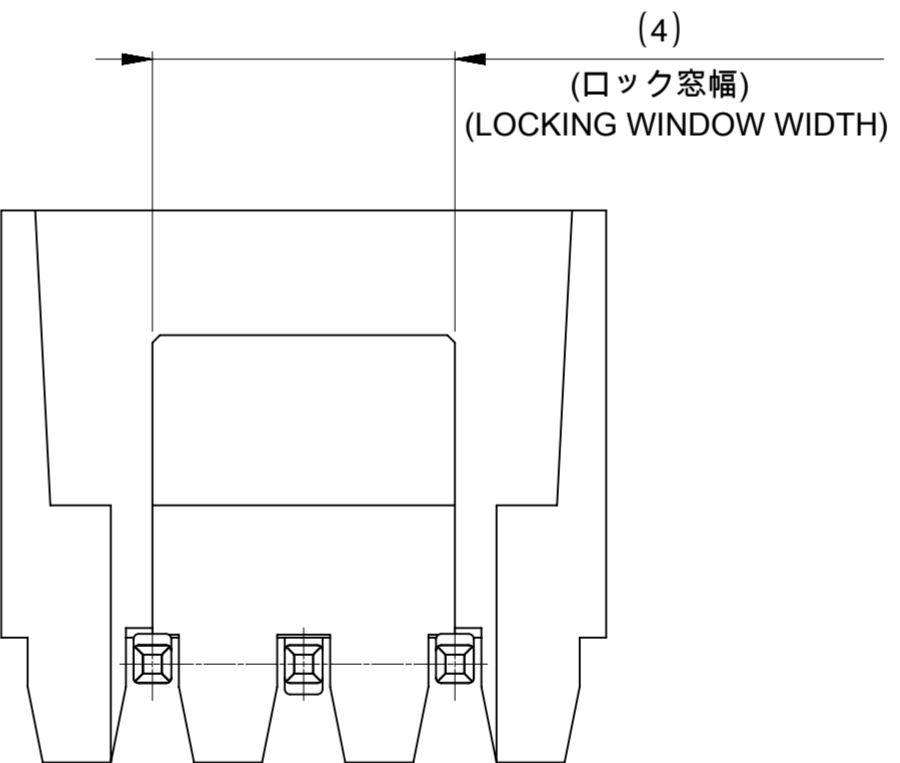
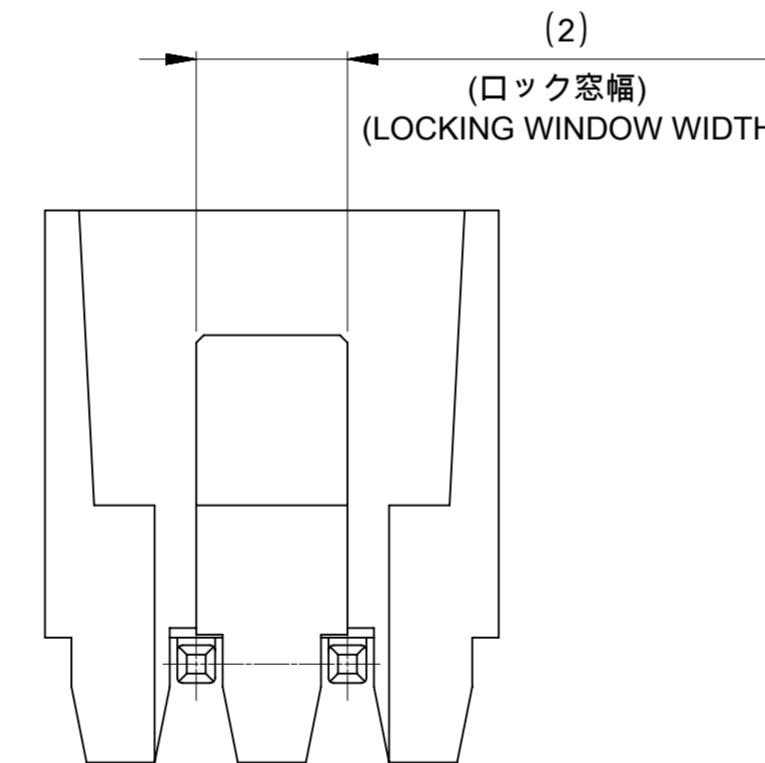
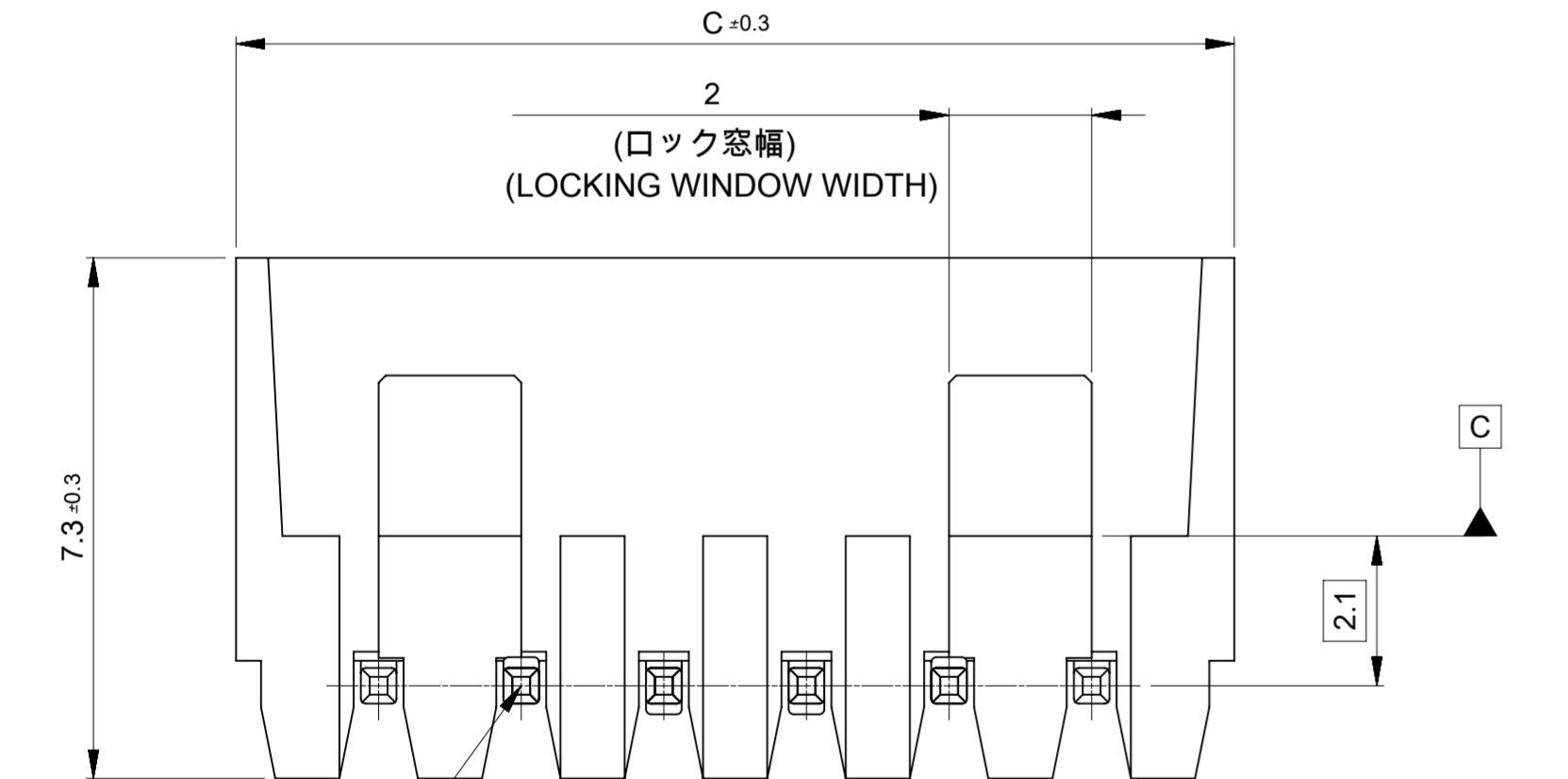
① 材料及び仕上げ (めっき仕様) : TABLE 1参照  
 MATERIAL AND FINISHES: SEE TABLE 1

② 適用製品及び各種仕様書はSHEET 2をご参考ください  
 PLEASE REFER TO SHEET 2 FOR APPLICABLE PRODUCTS AND VARIOUS SPECIFICATIONS.

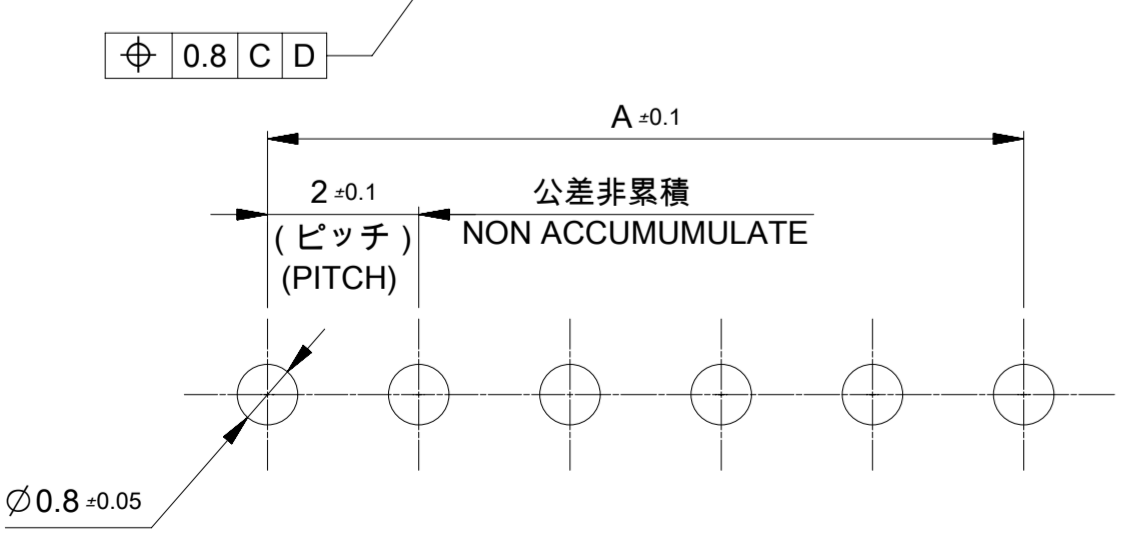
③ キंकは下記表の位置及び形状に付加のこと。2極はキंक無し。  
 KINK TO BE APPLIED AS FOLLOWS, 2 CIRCUIT HAS NO KINK.

極数 CKT	回路番号 CIRCUIT NO							
	1	2	3	4	5	N-2	N-1	N
6極以上 MORE THAN 6 CKT	-	(A)	(B)	-	-	(B)	(A)	-
5極 5CKT	(A)	(B)	-	(B)	(A)			
4極 4CKT	(A)	(B)	(B)	(A)				
3極 3CKT	(A)	(B)	(A)					

④ PART-PCB間の実装には極性はありません。  
 極数番号は記載していません。  
 PART-TO-PCB MOUNTING IS NOT POLARIZED:  
 NO CIRCUIT NUMBERING IS REQUIRED.



32	31.1	28	532541570	15
30	29.1	26	532541470	14
28	27.1	24	532541370	13
26	25.1	22	532541270	12
24	23.1	20	532541170	11
22	21.1	18	532541070	10
20	19.1	16	532540970	9
18	17.1	14	532540870	8
16	15.1	12	532540770	7
14	13.1	10	532540670	6
12	11.1	8	532540570	5
10	9.1	6	532540470	4
8	7.1	4	532540370	3
6	5.1	2	532540270	2
C	B	A	トレー TRAY	極数 CKT
			材料番号 MATERIAL NO	



① TABLE 1

NO	部品 PART	材質 MATERIAL
①	ハウジング HOUSING	ポリアミド(PA)、UL94V-0、色: ナチュラル(ベージュ) POLYAMIDE(PA), UL94V-0, COLOR: NATURAL (BEIGE)
②	ターミナル TERMINAL	黄銅 BRASS
		下地めっき UNDER PLATING ニッケルめっき : 0.5 micro-meters MIN NICKEL PLATING: 0.5 micro-meters MIN
	めっき PLATING	錫めっき : 1.0 micro-meter MIN リフロー処理 (前めっき) MATTE TIN: 1.0 micro-meter MIN REFLOW TREATMENT (PRE-PLATING)

THIS DRAWING CONTAINS INFORMATION THAT IS PROPRIETARY TO MOLEX ELECTRONIC TECHNOLOGIES, LLC AND SHOULD NOT BE USED WITHOUT WRITTEN PERMISSION

DIMENSION UNITS: mm SCALE: NTS

GENERAL TOLERANCES (UNLESS SPECIFIED): ANGULAR TOL ± 3.0°

CURRENT REV DESC: REDRAWN AND REVISED

EC NO: 636761  
 DRWN: HHUSSIN 2019/10/21  
 CHK'D: SAKIYAMA 2020/04/30  
 APPR: KOMURAKAMI 2020/05/01

4 PLACES ± 0.2  
 3 PLACES ± 0.2  
 2 PLACES ± 0.2  
 1 PLACE ± 0.2  
 0 PLACES ± 0.2

INITIAL REVISION:  
 DRWN: HHUSSIN 2019/10/21  
 APPR: KOMURAKAMI 2020/05/01

DRAFT WHERE APPLICABLE MUST REMAIN WITHIN DIMENSIONS

THIRD ANGLE PROJECTION

DRAWING: A2-SIZE

SERIES: 53254

**molex**

MICRO-LATCH 2.0 RA  
 RIGHT-ANGLE HEADER ASSY

PRODUCT CUSTOMER DRAWING

DOCUMENT NUMBER: 532540000-SD  
 DOC TYPE: PSD  
 DOC PART: 000  
 REVISION: A

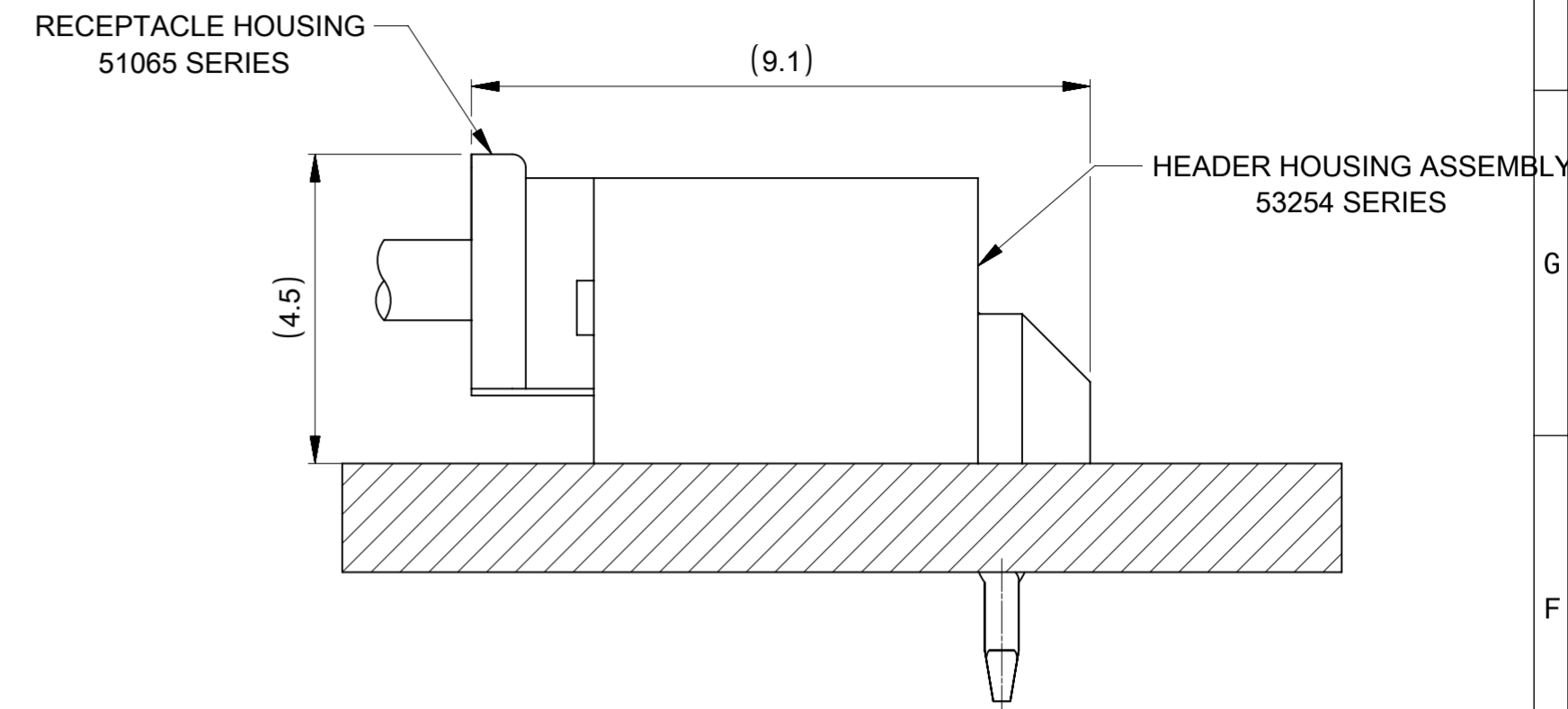
MATERIAL NUMBER: GENERAL  
 CUSTOMER: GENERAL  
 SHEET NUMBER: 1 OF 2

△ 適用製品及び各種仕様書  
 APPLICABLE PRODUCTS AND VARIOUS SPECIFICATIONS

梱包仕様書 PACKING SPECIFICATION	PART NUMBER	SPECIFICATION NUMBER
	53254**70	532549200-SPK

適用ハウジング APPLICABLE HOUSING	SINGLE TYPE
シリーズ番号 SERIES NO	51065
製品仕様書 PRODUCT SPECIFICATION	510650000-PS/PS/000

適用端子 APPLICABLE TERMINAL	PART NUMBER	PLATING TYPE	WIRE SIZE (AWG)
	502128*00	TIN	#24-30
	503728*00		#22-26



51065シリーズ/53254シリーズ 嵌合状態図 参考  
 51065 SERIES/ 53254 SERIES MATED DRAWING (REF)

THIS DRAWING CONTAINS INFORMATION THAT IS PROPRIETARY TO MOLEX ELECTRONIC TECHNOLOGIES, LLC AND SHOULD NOT BE USED WITHOUT WRITTEN PERMISSION									
DIMENSION UNITS	SCALE	CURRENT REV DESC: REDRAWN AND REVISED				<b>molex</b>			
mm	NTS								
GENERAL TOLERANCES (UNLESS SPECIFIED)						MICRO-LATCH 2.0 RA RIGHT-ANGLE HEADER ASSY			
ANGULAR TOL	± 3.0°	EC NO: 636761				PRODUCT CUSTOMER DRAWING			
4 PLACES	± 0.2	DRWN: HHUSSIN		2019/10/21		DOCUMENT NUMBER <b>532540000-SD</b>			
3 PLACES	± 0.2	CHK'D: SAKIYAMA		2020/04/30					
2 PLACES	± 0.2	APPR: KOMURAKAMI		2020/05/01		DOC TYPE	DOC PART	REVISION	
1 PLACE	± 0.2	INITIAL REVISION:				PSD 000 A			
0 PLACES	± 0.2	DRWN: HHUSSIN		2019/10/21		MATERIAL NUMBER GENERAL			
DRAFT WHERE APPLICABLE MUST REMAIN WITHIN DIMENSIONS		APPR: KOMURAKAMI		2020/05/01					
		THIRD ANGLE PROJECTION	DRAWING	SERIES	CUSTOMER				
			A2-SIZE	53254	GENERAL				

- Low-Halogen

多部分行业合规性文件

- IPC 1752A Class C

- IPC 1752A Class D

- Molex Product Compliance Declaration

- IEC-62474

- chemSHERPA (xml)

欧盟 RoHS 合格证书

---

## 产品详情

### 常规

状态	活动
类别	PCB Headers and Receptacles
系列	53254
说明	2.00mm Pitch, Micro-Latch PCB Header, Single Row, Right-Angle, Through Hole, Tin (Sn) Plating, 9 Circuits, Tray, 3.50mm PC Tail Length
应用	Signal, Wire-to-Board
元件类型	PCB Header
产品系列	Micro-Latch Wire-to-Board Connector System
产品名称	Micro-Latch
UPC	756054354216

### 机构

UL	E29179
----	--------

### 电气

每触点最大电流	2.0A
电压 - 最大	250V

### 物理

断开	否
回路数 (已载入)	9
电路数 (最多)	9

颜色-树脂	Natural
耐用性(插拔次数) - 最多次数	30
先接后断	否
符合灼热丝规范	否
锁定插接部位	是
材料 - 金属	Brass
材料 - 接合部位电镀	Tin
材料 - 终端电镀	Tin
材料 - 树脂	Nylon
净重	466.700/mg
行数	1
方向	Right Angle
包装形式	Tray
PC 焊脚长度	3.50mm
PCB 定位器	否
PCB 保持力	是
推荐的 PCB 厚度	1.60mm
间距 - 插配接口	2.00mm
最薄镀层 - 接合部位	1.016µm
最薄镀层 - 端接	1.016µm
有极性的插配件	是
PCB 极性	否
有护墙的	Partial
可堆叠的	否
运行温度范围	-55° to +105° C
终端界面类型	Through Hole

---

## 可配插/可连接使用的产品

### 可配插部件

描述	产品编号
Micro-Latch Single Row Receptacle Housings	<u>51065</u>

---

---

This document was generated on Feb 28, 2024