



产品编号 : 532610771

**Product Description** : 1.25mm Pitch, PicoBlade PCB Header, Single Row, Right-Angle, Surface Mount, 1.01 Tin (Sn) Plating, Friction Lock, 7 Circuits, Natural, Tape and Reel

系列号 : 53261

**状态** : Active

**Product Category** : PCB Headers and Receptacles

---

## 文件和资源

### 图纸

图纸 532610771\_sd.pdf

### 3D 模型和设计文件

2D 图纸 DXF 532610771.dxf

2D 图纸 DXF PDF 532610771.pdf

3D模型 532610771\_stp.zip

### 规格

应用规格 510210000-AS-000.pdf

包装规格 SPK-53261-002-001.pdf

产品规格 510211024-PS-000.pdf


产品规格 510211124-PS-000.pdf

产品规格 PS-51021-024-001.pdf

---

## 产物环境合规

### 合规

GADSL/IMDS	Not Relevant
China RoHS	
EU ELV	Not Relevant
Low-Halogen Status	Not Low-Halogen per IEC 61249-2-21
REACH SVHC	Not Contained per D(2023)8585-DC (23 Jan 2024)
EU RoHS	Compliant per EU 2015/863

### 多部分产品合规性声明

- Eu RoHS

- REACH SVHC

- Low-Halogen
- IPC 1752A Class C
- IPC 1752A Class D
- Molex Product Compliance Declaration
- IEC-62474
- chemSHERPA (xml)

欧盟 RoHS 合格证书

## 产品详情

### 常规

状态	活动
类别	PCB Headers and Receptacles
系列	53261
说明	1.25mm Pitch, PicoBlade PCB Header, Single Row, Right-Angle, Surface Mount, 1.01 Tin (Sn) Plating, Friction Lock, 7 Circuits, Natural, Tape and Reel
应用	Signal, Wire-to-Board
元件类型	PCB Header
产品系列	PicoBlade Connector System
产品名称	PicoBlade
UPC	822348161102

### 机构

CSA	LR19980
UL	E29179

### 电气

每触点最大电流	1.0A
电压 - 最大	125V

### 物理

断开	否
回路数 (已载入)	7
电路数 (最多)	7
颜色-树脂	Natural

耐用性(插拔次数) - 最多次数	30
先接后断	否
阻燃性	94V-0
符合灼热丝规范	否
可配插产品指南	是
插接极性	无
锁定插接部位	是
插配长度	3.40mm
材料 - 金属	Phosphor Bronze
材料 - 接合部位电镀	Tin
材料 - 终端电镀	Tin
材料 - 树脂	Polyamide
净重	219.100/mg
行数	1
方向	Right Angle
包装形式	Embossed Tape on Reel
PCB 定位器	否
PCB 保持力	是
间距 - 插配接口	1.25mm
最薄镀层 - 接合部位	1.016µm
最薄镀层 - 端接	1.016µm
PCB 极性	是
有护墙的	Fully
可堆叠的	否
运行温度范围	-40° to +105° C
终端界面类型	Surface Mount

---

## 可配插/可连接使用的产品

### 可配插部件

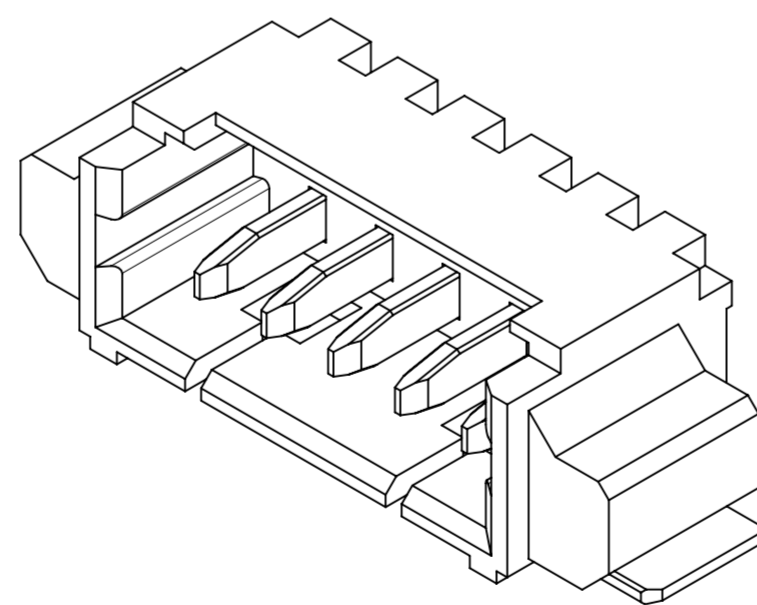
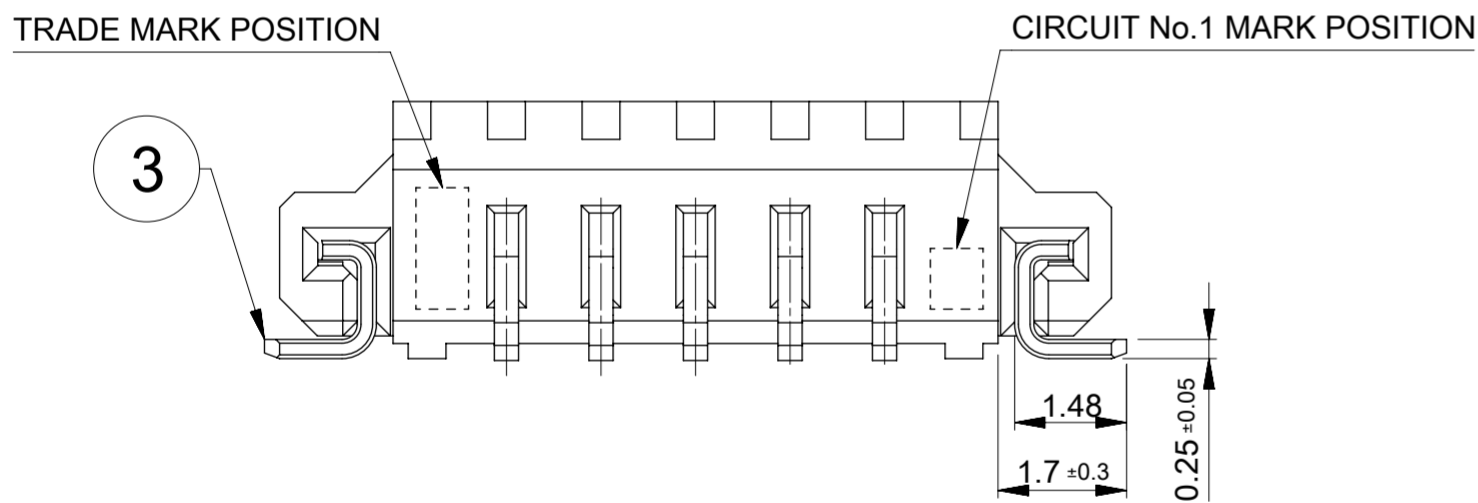
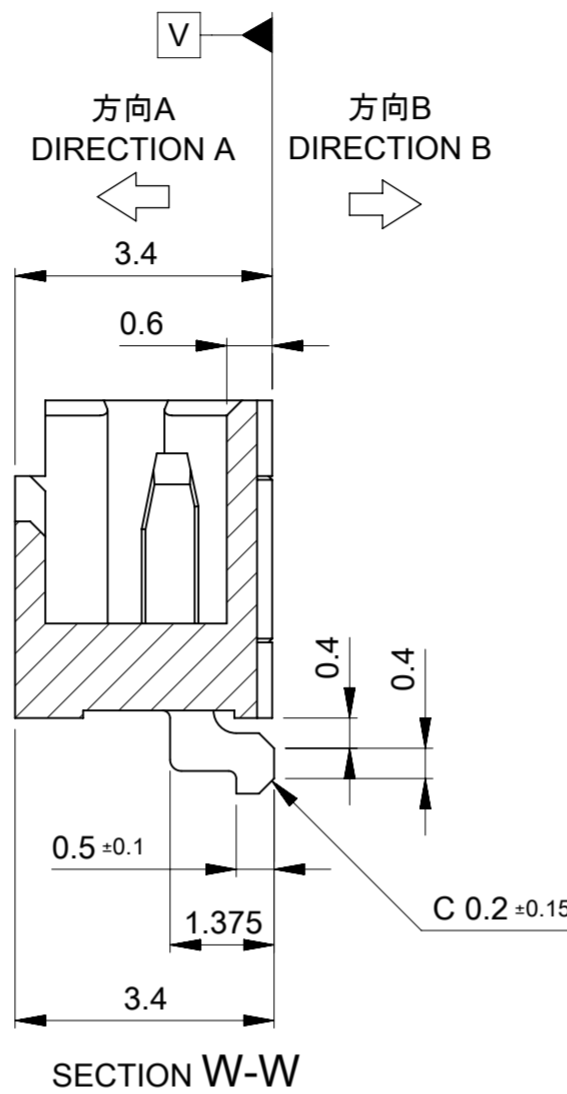
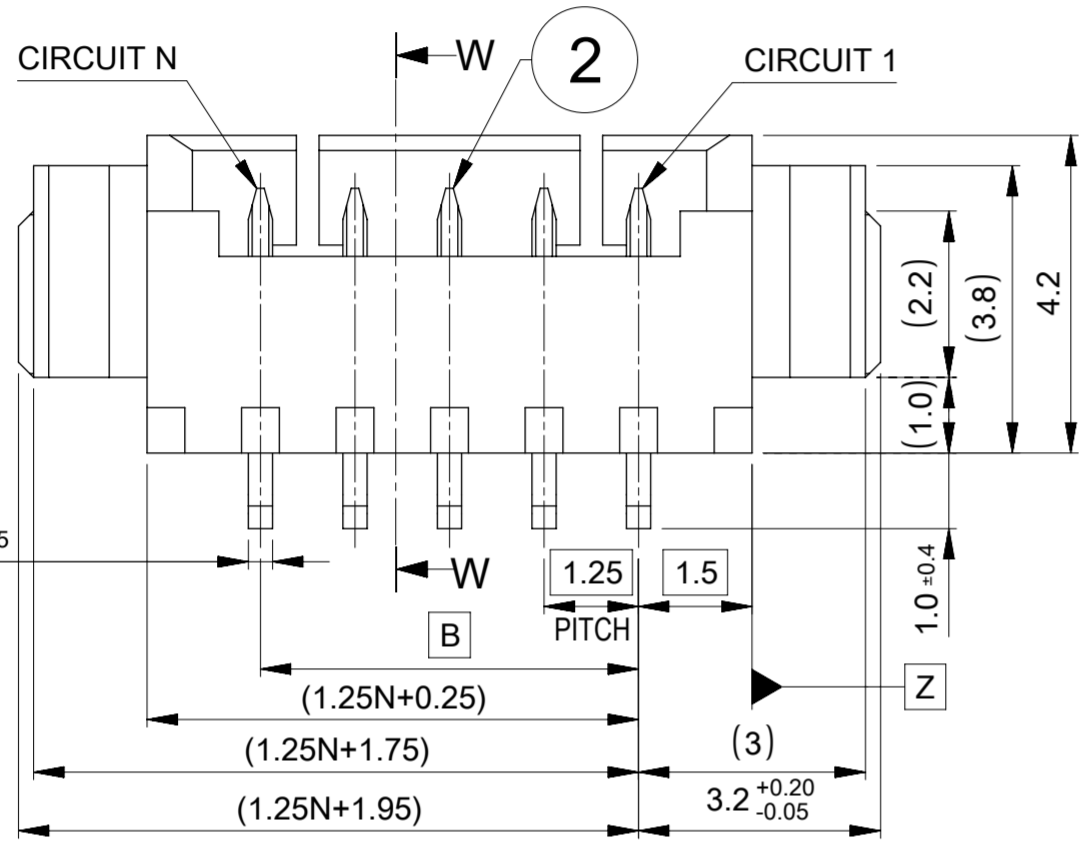
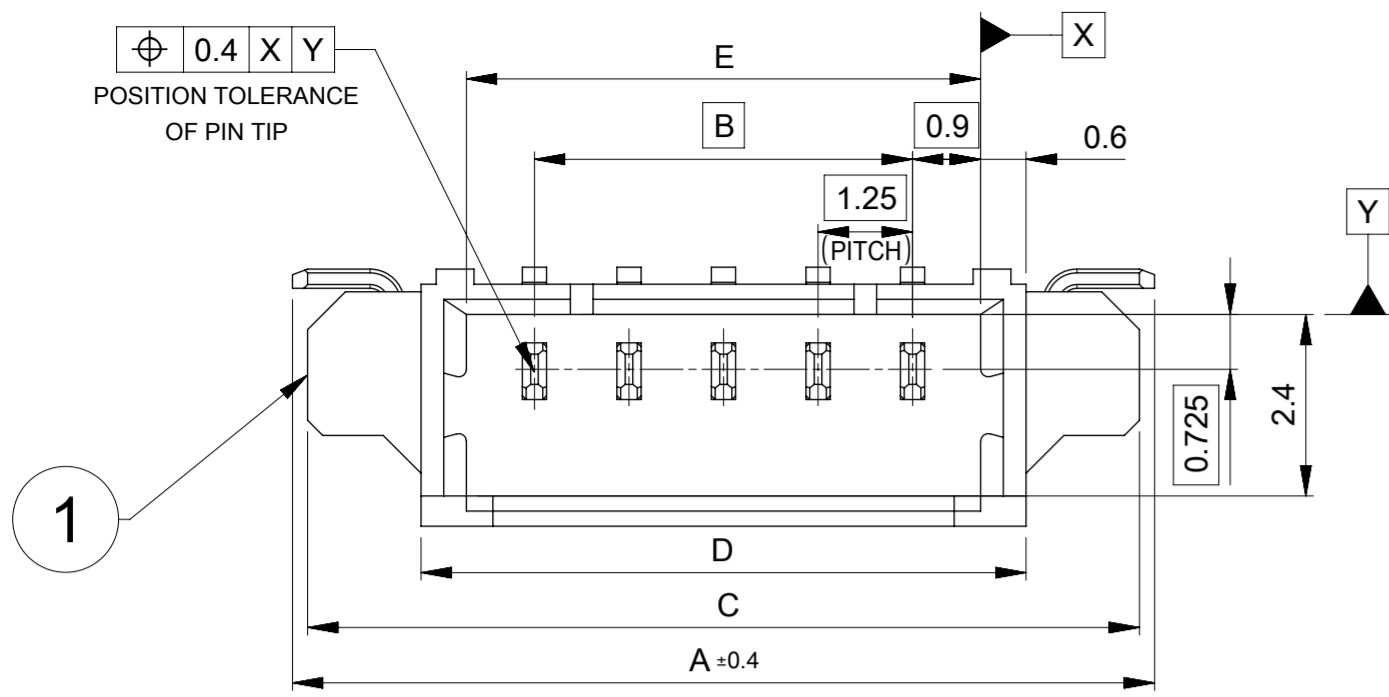
描述	产品编号
PicoBlade Single Row Receptacle Housings	<u>51021</u>
PicoBlade Female-to-PicoBlade Female Off-the-Shelf (OTS) Cable Assemblies	<u>15134</u>

---

---

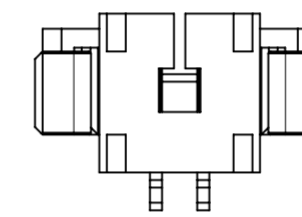
This document was generated on Jul 01, 2024

⌀ 0.4 X Y  
POSITION TOLERANCE OF PIN TIP

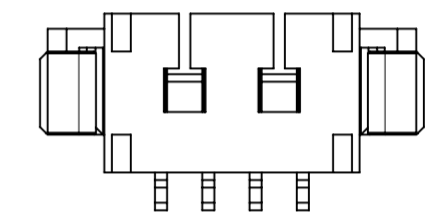


NOTES

1. 材料およびめっき仕様：TABLE 1 参照  
MATERIAL AND PLATING：REFER TO TABLE 1
2. 適用製品及び各種仕様書はSHEET 5を参照のこと  
REFER TO SHEET 5 ABOUT APPLICABLE PRODUCTS AND VARIOUS SPECIFICATIONS
3. 梱包形態：SHEET 3 参照  
PACKAGING INFORMATION：SEE SHEET 3
4. テールおよびネイルのズレは基準面  $\square V$  に対しA方向に0.05 MAX、B方向に0.1 MAX  
MISALIGNMENT OF TAILS AND NAILS FROM  $\square V$ ,  
DIRECTION A: 0.05 MAX, DIRECTION B: 0.1 MAX
5. 端子テール部およびネイルの平坦度は0.1以下  
COPLANARITY OF TAIL AND NAIL TO BE 0.1 MAX
6. 本製品は錫めっき品です。金めっき品は532610000-SD 000をご参照ください  
THIS PRODUCT IS TIN PLATING TYPE.  
PLEASE REFER TO 532610000-SD FOR GOLD PLATING TYPE.
7. ロックの数は、2,3極は1ロック、4極以上は2ロック。  
LOCKING WINDOW: ONE PLACE FOR 2 AND 3 CIRCUIT, AND TWO PLACES FOR MORE THAN 4 CIRCUIT.



△ 2, 3極形状 (1ロック)  
FIGURE OF 2, 3 CIRCUIT (1 LOCK)



△ 4極以上ロック形状 (2ロック)  
FIGURE OF MORE THAN 4 CIRCUIT (2 LOCKS)

21.8	23	26	20	26.4	---	532611771	17
19.3	20.5	23.5	17.5	23.9	---	532611571	15
18.05	19.25	22.25	16.25	22.65	532611427	532611471	14
16.8	18	21	15	21.4	---	532611371	13
15.55	16.75	19.75	13.75	20.15	532611227	532611271	12
14.3	15.5	18.5	12.5	18.9	---	532611171	11
13.05	14.25	17.25	11.25	17.65	---	532611071	10
11.8	13	16	10	16.4	532610927	532610971	9
10.55	11.75	14.75	8.75	15.15	532610827	532610871	8
9.3	10.5	13.5	7.5	13.9	532610727	532610771	7
8.05	9.25	12.25	6.25	12.65	532610627	532610671	6
6.8	8	11	5	11.4	532610527	532610571	5
5.55	6.75	9.75	3.75	10.15	532610427	532610471	4
4.3	5.5	8.5	2.5	8.9	532610327	532610371	3
3.05	4.25	7.25	1.25	7.65	---	532610271	2
E	D	C	B	A	色：黒 COLOUR: BLACK	色：ナチュラル(ベージュ) COLOUR: NATURAL (BEIGE)	極数 CIRCUIT SIZE
						△ 発注番号 ORDER NO	
						梱包形態：エンボス梱包 PACKAGING：EMBOSS TAPE AND REEL	

△ TABLE 1

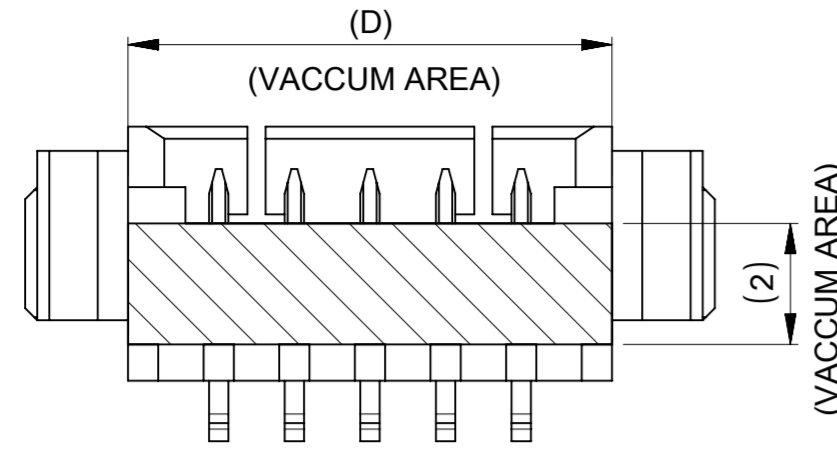
番号 NO.	部品 PART	材質 MATERIAL
①	ハウジング HOUSING	ポリアミド(PA), UL94V-0, GLASS-FILLED, 色: 表参照 POLYAMIDE(PA), UL94V-0, GLASS-FILLED, COLOUR: SEE CHART
②	ターミナル TERMINAL	りん青銅 PHOSPHOR BRONZE 無光沢錫めっき 1.0 MICROMETER MINIMUM MATTE TIN PLATING 1.0 MICROMETER MINIMUM ニッケルめっき 1.0 MICROMETER MINIMUM NICKEL PLATING 1.0 MICROMETER MINIMUM
③	ネイル NAIL	りん青銅 PHOSPHOR BRONZE 無光沢錫めっき 1.0 MICROMETER MINIMUM MATTE TIN PLATING 1.0 MICROMETER MINIMUM ニッケルめっき 1.0 MICROMETER MINIMUM NICKEL PLATING 1.0 MICROMETER MINIMUM

THIS DRAWING CONTAINS INFORMATION THAT IS PROPRIETARY TO MOLEX ELECTRONIC TECHNOLOGIES, LLC AND SHOULD NOT BE USED WITHOUT WRITTEN PERMISSION													
DIMENSION UNITS		SCALE		CURRENT REV DESC:									
mm		NTS											
GENERAL TOLERANCES (UNLESS SPECIFIED)				<b>molex</b>  PICOBLADE 1.25 SMT RIGHT ANGLE TIN PLATING TYPE  PRODUCT CUSTOMER DRAWING									
ANGULAR TOL ± 3.0°													
4 PLACES ± 0.2		DRWN: SSATO02								2022/12/16			
3 PLACES ± 0.2		CHK'D: AIDA								2023/07/24			
2 PLACES ± 0.2		APPR: MARAI								2023/07/24			
1 PLACE ± 0.2		INITIAL REVISION:		DRWN: QHE31		2021/12/15		DOCUMENT NUMBER					
0 PLACES ± 0.2		APPR: KOMURAKAMI		2021/12/24		53261001-SD		DOC TYPE   DOC PART   REVISION					
DRAFT WHERE APPLICABLE MUST REMAIN WITHIN DIMENSIONS		THIRD ANGLE PROJECTION		DRAWING		SERIES		MATERIAL NUMBER   CUSTOMER   SHEET NUMBER					
				A2-SIZE		53261		SEE CHART   GENERAL   1 OF 4					

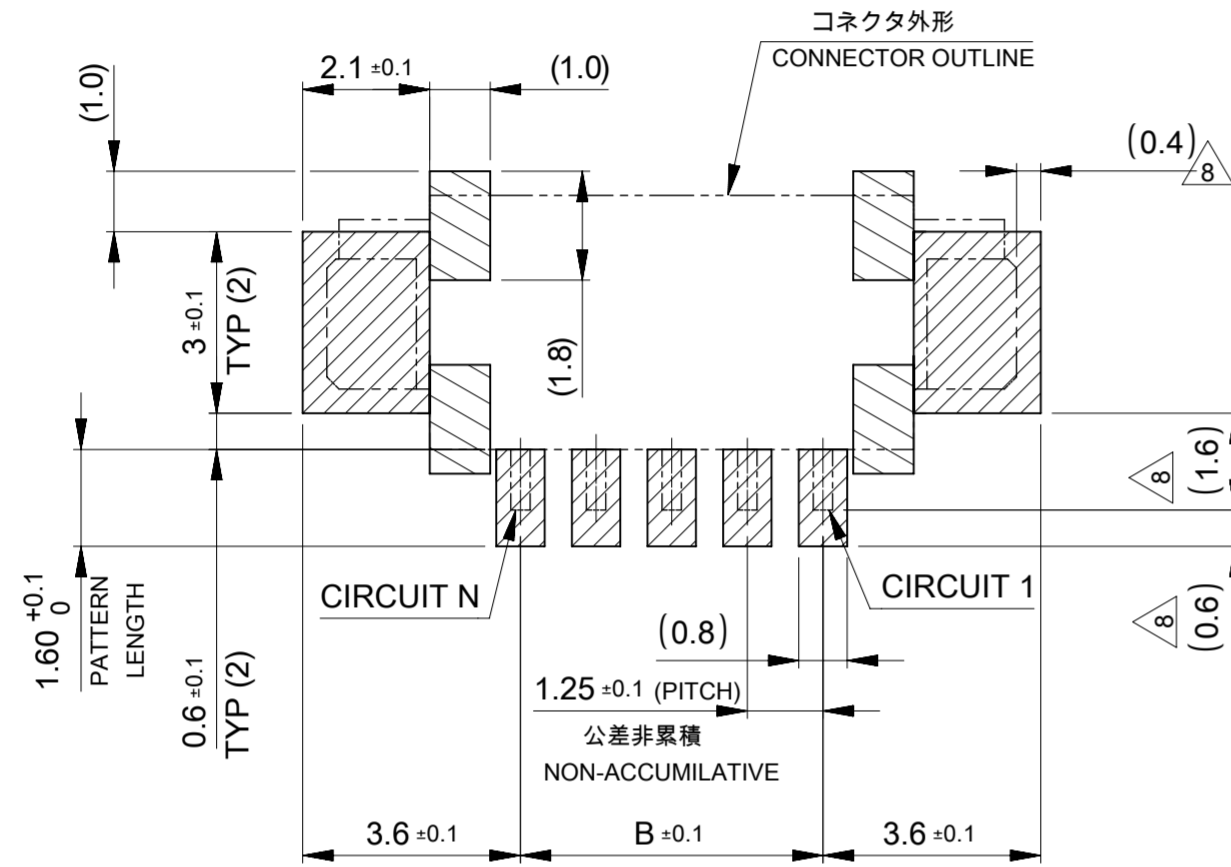
DOCUMENT STATUS	P1	RELEASE DATE	2023/07/24	10:03:37
-----------------	----	--------------	------------	----------

NOTES

△<sub>8</sub> 製品輪郭線からパッドまでの寸法を示す。  
DIMENSIONS FROM CONNECTOR OUTLINE TO PAD



吸着エリア  
VACCU AREA

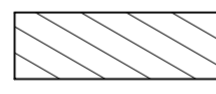


推奨基板レイアウト (実装面側)

RECOMMENDED P.C.B LAYOUT : COMPONENT SIDE

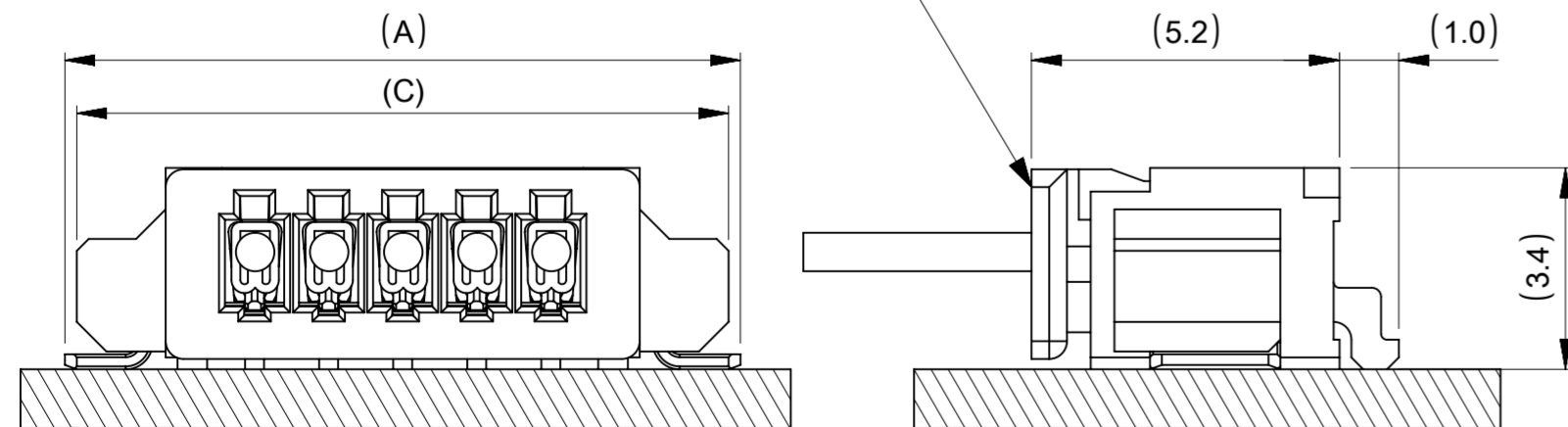
(参考 : 基板厚 1.0mm, メタルマスク厚さ: 0.15mm, マスク開口率: 100%)

(REFERENCE : P.C.B THICKNESS 1.0mm, STENCIL THICKNESS: 0.15mm, APERTURE: 100%)



: パターンおよびはんだ禁止エリア  
RESTRICTED AREA  
NO PCB COMPONENTS AND SOLDER ALLOWED

嵌合相手 : 51021 シリーズ  
MATE WITH : 51021 SERIES

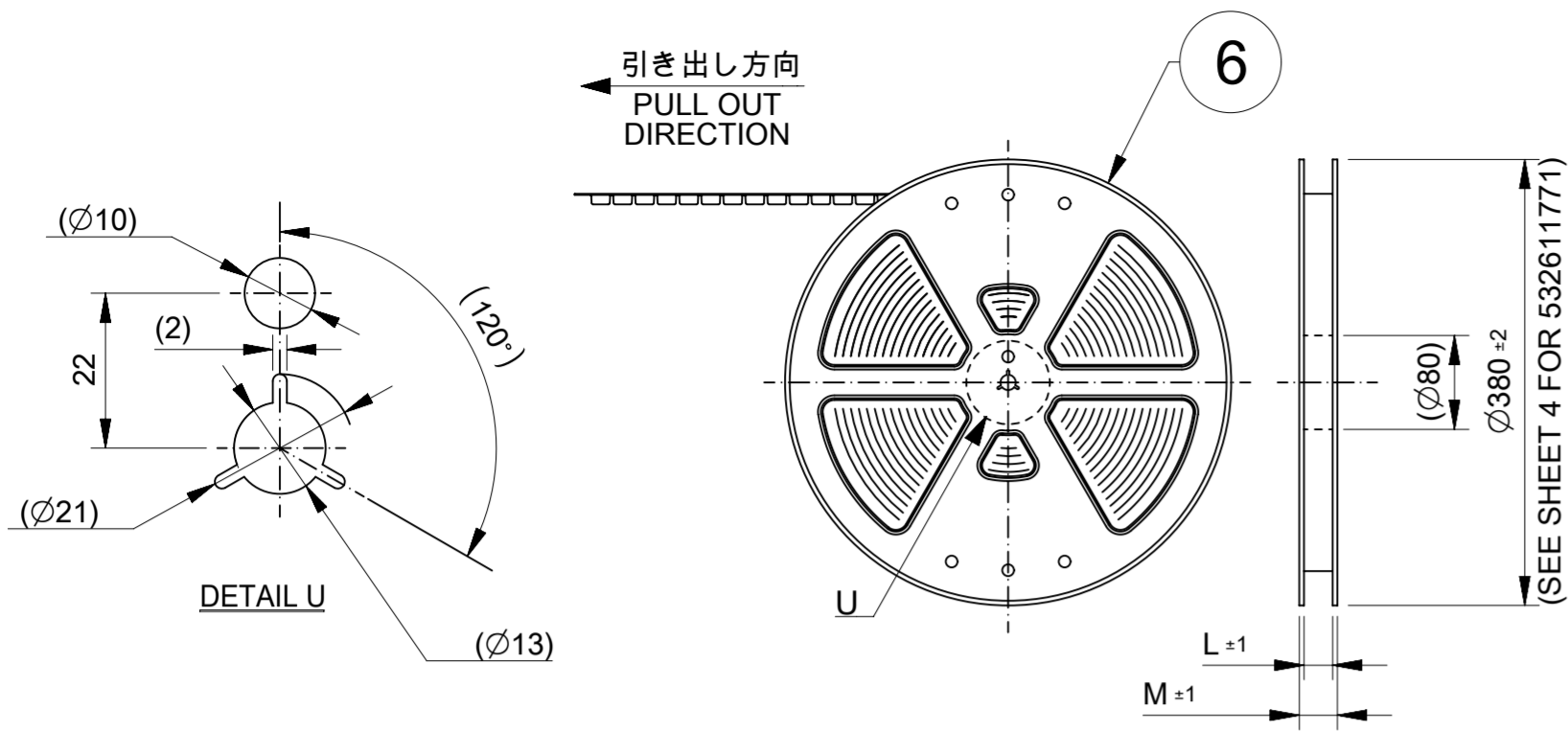


嵌合図  
MATED CONNECTOR

21.8	23	26	20	26.4	17
19.3	20.5	23.5	17.5	23.9	15
18.05	19.25	22.25	16.25	22.65	14
16.8	18	21	15	21.4	13
15.55	16.75	19.75	13.75	20.15	12
14.3	15.5	18.5	12.5	18.9	11
13.05	14.25	17.25	11.25	17.65	10
11.8	13	16	10	16.4	9
10.55	11.75	14.75	8.75	15.15	8
9.3	10.5	13.5	7.5	13.9	7
8.05	9.25	12.25	6.25	12.65	6
6.8	8	11	5	11.4	5
5.55	6.75	9.75	3.75	10.15	4
4.3	5.5	8.5	2.5	8.9	3
3.05	4.25	7.25	1.25	7.65	2
E	D	C	B	A	極数 CIRCUIT SIZE

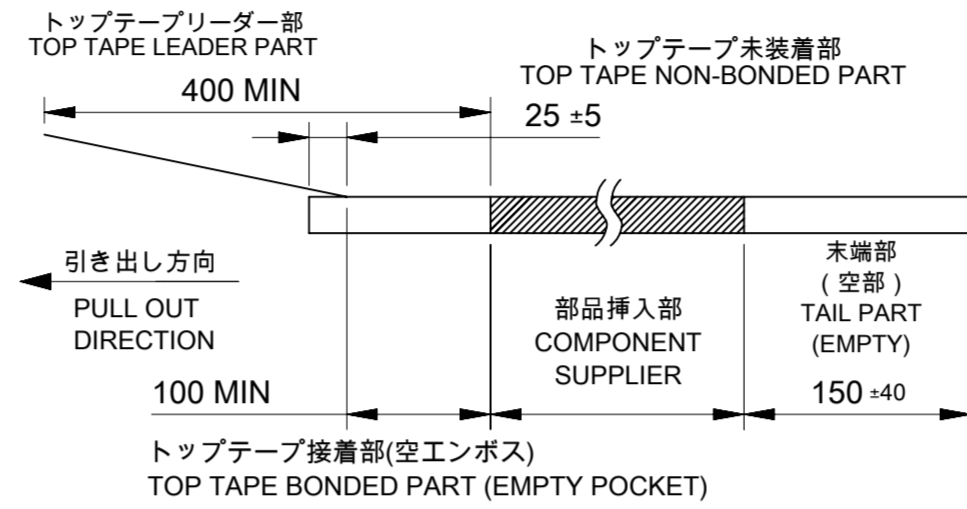
THIS DRAWING CONTAINS INFORMATION THAT IS PROPRIETARY TO MOLEX ELECTRONIC TECHNOLOGIES, LLC AND SHOULD NOT BE USED WITHOUT WRITTEN PERMISSION

DIMENSION UNITS	SCALE	CURRENT REV DESC:						
mm	NTS							
GENERAL TOLERANCES (UNLESS SPECIFIED)		<p><b>molex</b></p> <p>PICOBLADE 1.25 SMT RIGHT ANGLE TIN PLATING TYPE</p> <p>PRODUCT CUSTOMER DRAWING</p>						
ANGULAR TOL	± 3.0°					EC NO: 744677	2022/12/16	
4 PLACES	± 0.2					DRWN: SSATO02	2023/07/24	
3 PLACES	± 0.2					CHK'D: AIDA	2023/07/24	
2 PLACES	± 0.2					APPR: MARAI	2023/07/24	
1 PLACE	± 0.2	INITIAL REVISION:		DOCUMENT NUMBER				
0 PLACES	± 0.2	DRWN: QHE31	2021/12/15	532610001-SD				
		APPR: KOMURAKAMI	2021/12/24	PSD 000 E				
DRAFT WHERE APPLICABLE MUST REMAIN WITHIN DIMENSIONS	THIRD ANGLE PROJECTION	DRAWING	SERIES	MATERIAL NUMBER	CUSTOMER			
		A2-SIZE	53261	SEE CHART	GENERAL			
					SHEET NUMBER			
					2 OF 4			



注釈 NOTE

- 9. 梱包数量: 1600個/リール (532611771についてはSHEET 4を参照)  
NUMBER OF CONNECTOR: 1600PCS/REEL (SEE SHEET 4 FOR 532611771)
- 10. リードテープ長さ(532611771についてはSHEET 4を参照)  
LEAD TAPE LENGTH (SEE SHEET 4 FOR 532611771)



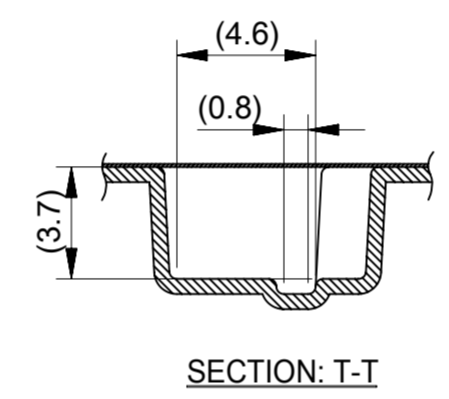
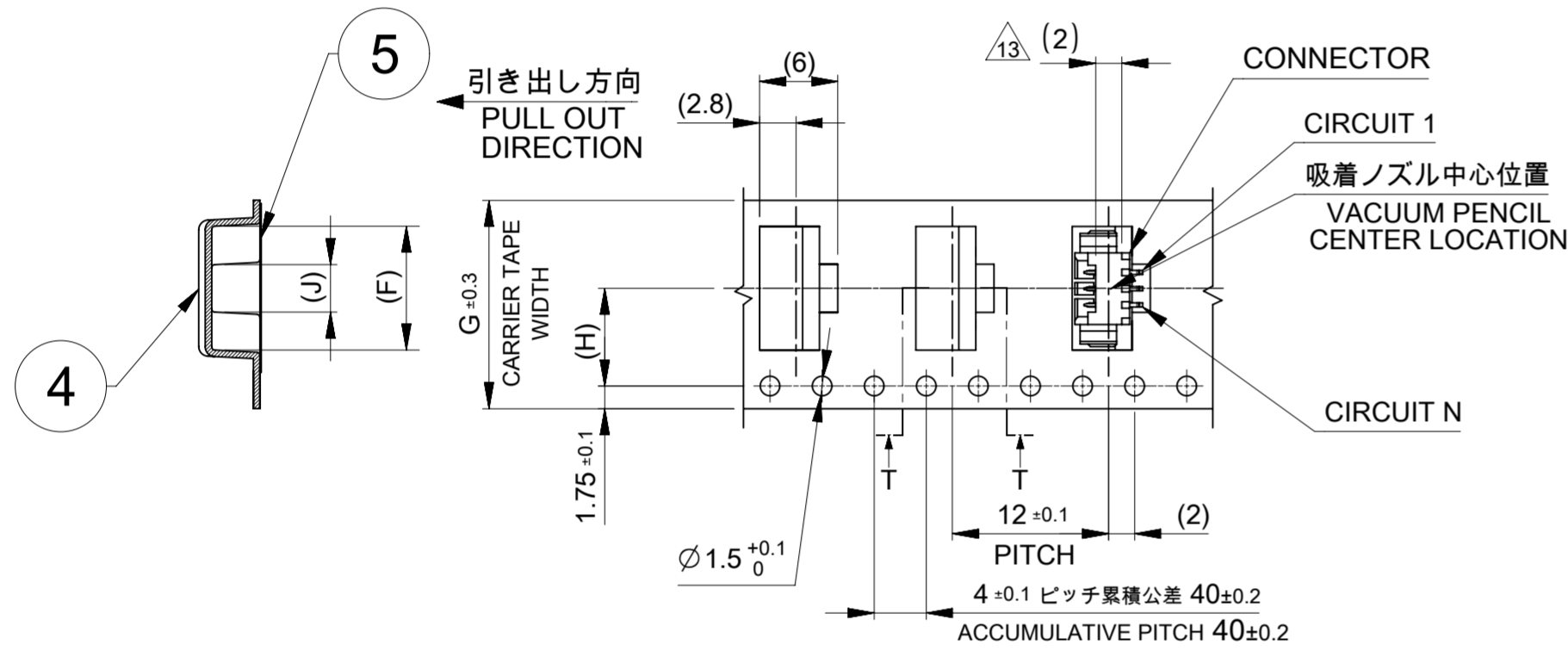
△11 発注番号  
ORDER NUMBER  
53261\*\*\*\*

極数  
CIRCUIT

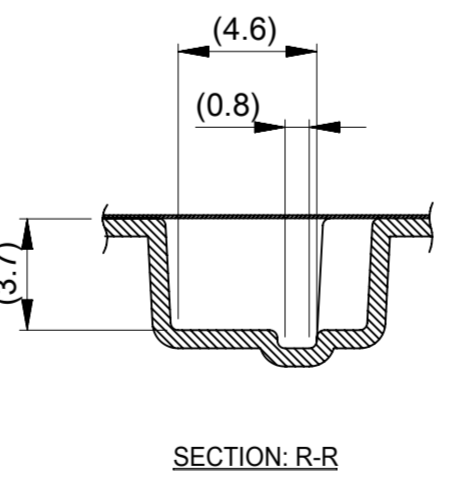
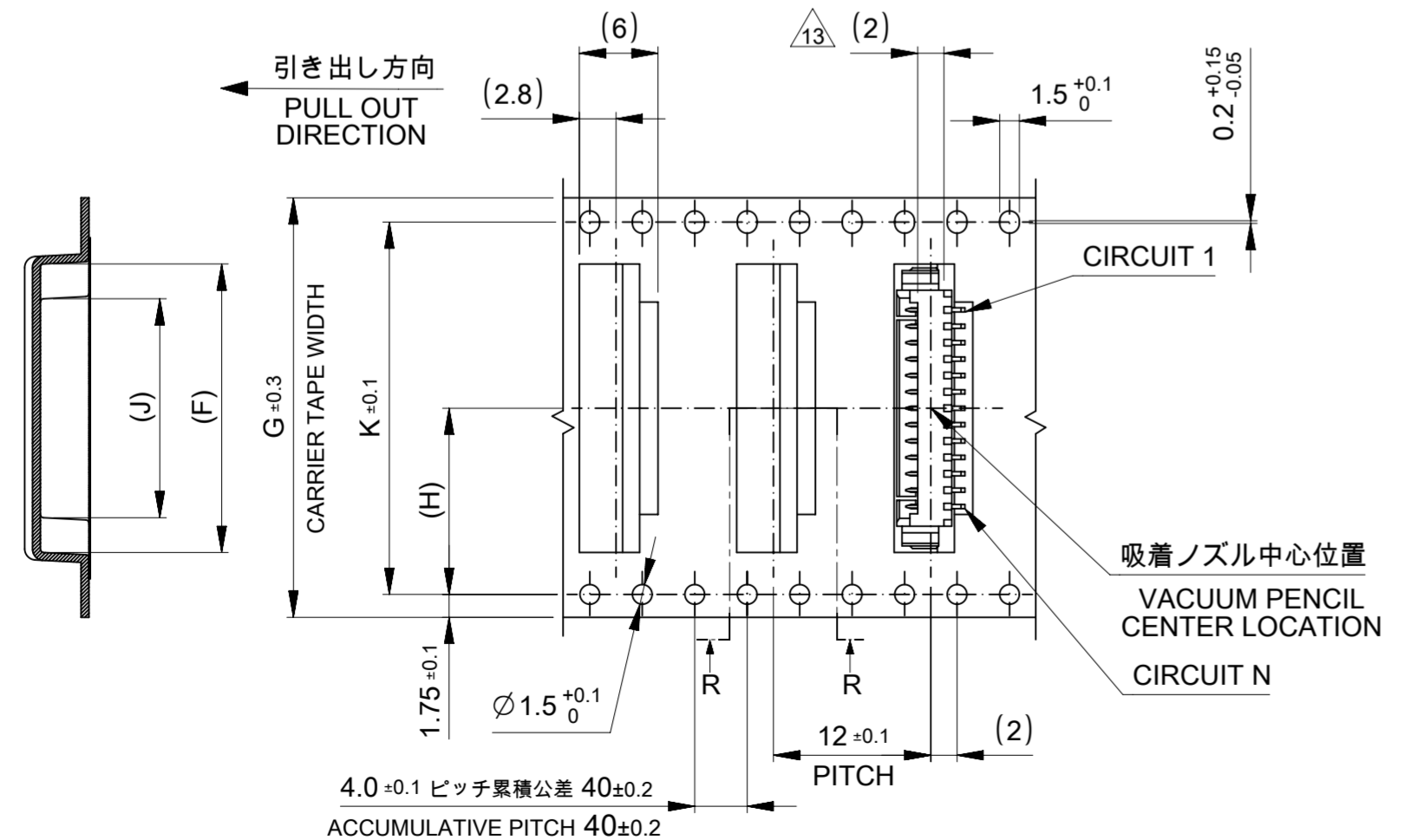
- △12 材料: TABLE 2参照  
MATERIAL: REFER TO TABLE 2
- △13 コネクタハウジング平面部  
CONNECTOR HOUSING FLAT AREA.
- 14. トップテープの剥離強度はIEC 60286-3に準拠。  
TOP TAPE PEELING FORCE IS DEFINED BY IEC 60286-3.
- 15. 本製品は乾燥剤入りハイバリア梱包仕様である。  
THIS PRODUCT IS HIGH BARRIER PACKAGE WITH DESICCANT.

△12 TABLE2

番号 NO.	部品 PART	材質 MATERIAL
④	キャリアテープ CARRIER TAPE	MXL生産分: ポリプロピレン(PP) PROCEED BY MXL: POLYPROPYLENE(PP) MXK生産分: ポリスチレン(PS) PROCEED BY MXK: POLYSTYRENE(PS)
⑤	トップテープ TOP TAPE	ポリエチレンテレフタレート (PET)、その他 POLYETHYLENE TEREPHTHALATE (PET), ETC
⑥	リール REEL	ポリスチレン(PS) <リサイクル材を含む> POLYSTYRENE(PS) <RECYCLE MATERIAL CONTAINED >



16mm幅(2~3極用)および24mm幅(4~10極用)キャリアテープ  
16mm (FOR 2~3 CIRCUIT) OR 24mm (FOR 4~10 CIRCUIT) WIDTH CARRIER TAPE



32mm幅(11~13極用)および44mm幅(14~15, 17極用)キャリアテープ  
32mm (FOR 11~13 CIRCUIT) OR 44mm (FOR 14~15, 17 CIRCUIT) WIDTH CARRIER TAPE

49.4	45.4	40.4	21.2		27	17
			18.7	20.2	42	15
			17.45		23.25	14
37.4	33.4	28.4	16.2		22	13
			14.95	14.2	32	12
			13.7		19.5	11
			12.45		18.25	10
			11.2		17	9
			9.95		15.75	8
			8.7	11.5	24	7
			7.45		14.5	6
			6.2		12	5
			4.95		10.75	4
21.4	17.4	-	3.7	7.5	16	3
			2.45		8.25	2
M	L	K	J	H	キャリアテープ幅 G CARRIER TAPE WIDTH G	極数 CIRCUIT SIZE

THIS DRAWING CONTAINS INFORMATION THAT IS PROPRIETARY TO MOLEX ELECTRONIC TECHNOLOGIES, LLC AND SHOULD NOT BE USED WITHOUT WRITTEN PERMISSION

DIMENSION UNITS	SCALE	CURRENT REV DESC:
mm	NTS	
GENERAL TOLERANCES (UNLESS SPECIFIED)		
ANGULAR TOL	± 3.0°	
4 PLACES	± 0.2	EC NO: 744677
3 PLACES	± 0.2	DRWN: SSATO02 2022/12/16
2 PLACES	± 0.2	CHK'D: AIDA 2023/07/24
1 PLACE	± 0.2	APPR: MARAI 2023/07/24
0 PLACES	± 0.2	INITIAL REVISION:
		DRWN: QHE31 2021/12/15
		APPR: KOMURAKAMI 2021/12/24
DRAFT WHERE APPLICABLE MUST REMAIN WITHIN DIMENSIONS		
THIRD ANGLE PROJECTION		
DRAWING SERIES MATERIAL NUMBER CUSTOMER SHEET NUMBER		
A2-SIZE 53261 SEE CHART GENERAL 3 OF 4		

**molex**

PICOBLADE 1.25  
SMT RIGHT ANGLE TIN PLATING TYPE

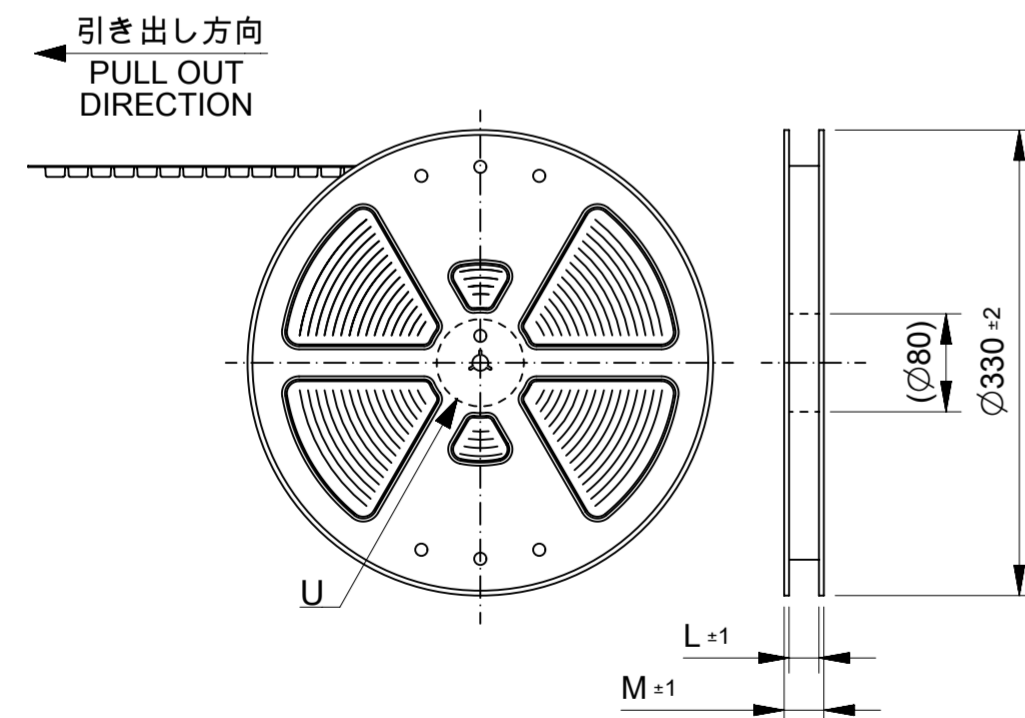
PRODUCT CUSTOMER DRAWING

DOCUMENT NUMBER: 532610001-SD  
DOC TYPE: PSD  
DOC PART: 000  
REVISION: E

△ 適合製品及び各種仕様書  
 APPLICABLE PRODUCTS AND SPECIFICATIONS

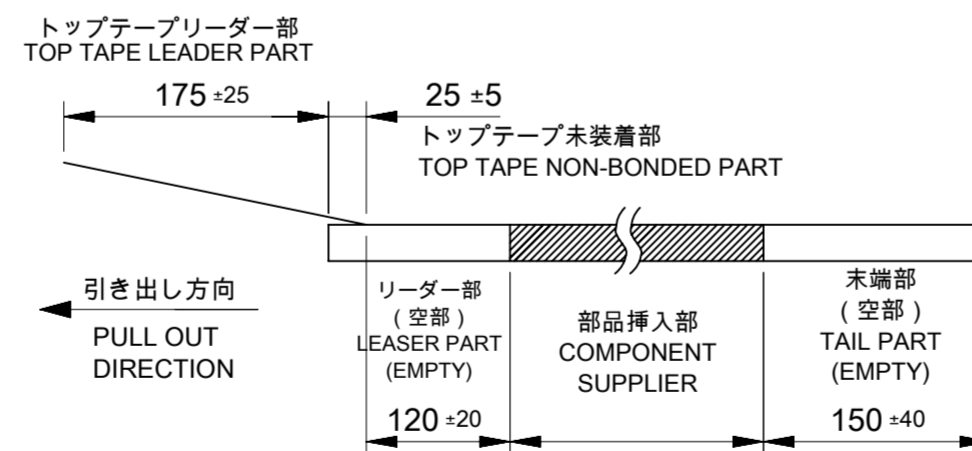
梱包仕様書 PACKING SPECIFICATION	PART NUMBER		SPECIFICATION NUMBER	
	53261**71 / 53261**27		SPK-53261-002 532619200-SPK (ONLY 532611771)	
適合ハウジング APPLICABLE HOUSING	PART NUMBER			
	51021**00			
適合圧着端子 APPLICABLE TERMINAL	PLATING	TIN		
	PART NUMBER	500798*00	500588*00	500798001
	WIRE SIZE (AWG)	#26-28	#28-32	#26-28
製品仕様書 PRODUCT SPECIFICATION	PS-51021-024 PS 001		510211124-PS PS 000	
	アプリケーション仕様書 (取扱説明書) APPLICATION SPECIFICATION			
510210000-AS PS 000				

532611771に適用  
 APPLIES TO 532611771



17. 梱包数量: 1000個/リール  
 NUMBER OF CONNECTOR: 1000PCS/REEL

18. リードテープ長さ  
 LEAD TAPE LENGTH



THIS DRAWING CONTAINS INFORMATION THAT IS PROPRIETARY TO MOLEX ELECTRONIC TECHNOLOGIES, LLC AND SHOULD NOT BE USED WITHOUT WRITTEN PERMISSION										
DIMENSION UNITS	SCALE	CURRENT REV DESC:			<b>molex</b>					
mm	NTS									
GENERAL TOLERANCES (UNLESS SPECIFIED)					PICOBLADE 1.25 SMT RIGHT ANGLE TIN PLATING TYPE					
ANGULAR TOL	± 3.0°	EC NO: 744677			PRODUCT CUSTOMER DRAWING					
4 PLACES	± 0.2	DRWN: SSATO02			2022/12/16					
3 PLACES	± 0.2	CHK'D: AIDA			2023/07/24					
2 PLACES	± 0.2	APPR: MARAI			2023/07/24					
1 PLACE	± 0.2	INITIAL REVISION:			DOCUMENT NUMBER					
0 PLACES	± 0.2	DRWN: QHE31			532610001-SD					
DRAFT WHERE APPLICABLE MUST REMAIN WITHIN DIMENSIONS			THIRD ANGLE PROJECTION	DRAWING	SERIES	MATERIAL NUMBER	CUSTOMER	DOC TYPE	DOC PART	REVISION
				A2-SIZE	53261	SEE CHART	GENERAL	PSD	000	E
SHEET NUMBER			4 OF 4							



10 9 8 7 6 5 4 3 2 1

F

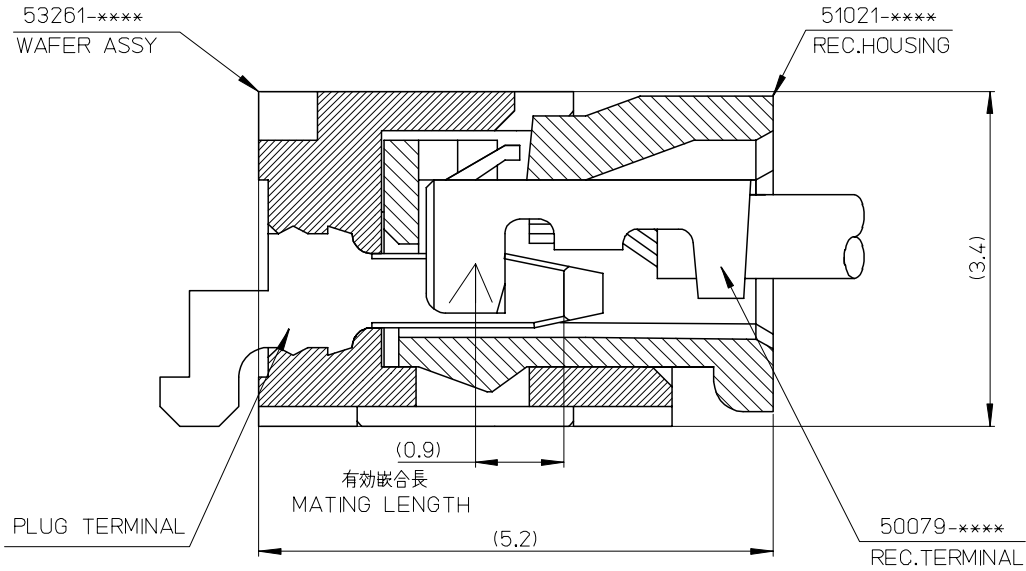
E

D

C

B

A



53261-****	WAFER ASSY	MODEL NO./MATERIAL NO.
50079-****	TERMINAL	
51021-****	HOUSING	

RELEASED EC NO: J2006-2426 DRWN: A0YAGI 2006/02/02 CHKD: YMAEDA 2006/02/03 APPR: NUKITA 2006/02/07	GENERAL TOLERANCES (UNLESS SPECIFIED)		DIMENSION STYLE MM ONLY		SCALE ---	DESIGN UNITS METRIC	THIRD ANGLE PROJECTION		
	10 UNDER	± ---	DRAWN BY Y. A0YAGI	DATE 2006/01/30	TITLE 1.25 W-TO-B CONN. 51021,53261 MATING CROSS SECTION				
	10 OVER 30 UNDER	± ---	CHECKED BY Y. MAEDA	DATE 2006/01/30	MOLEX INCORPORATED				
	30 OVER	± ---	APPROVED BY N. UKITA	DATE 2006/01/30	MATERIAL NO. SEE CHART		DOCUMENT NO. SD-51021-002	SHEET NO. 1 OF 1	
	ANGULAR ± --- °		DRAFT WHERE APPLICABLE MUST REMAIN WITHIN DIMENSIONS		THIS DRAWING CONTAINS INFORMATION THAT IS PROPRIETARY TO MOLEX INCORPORATED AND SHOULD NOT BE USED WITHOUT WRITTEN PERMISSION				