



产品编号 : 533072271

**Product Description** : SlimStack Board-to-Board Connector, 0.80mm Pitch, Plug, 4.50 or 5.50mm Mated Height, 22 Circuits, Vertical, without Boss

系列号 : 53307

**状态** : Active

**Product Category** : Board-to-Board Connectors

---

## 文件和资源

### 图纸

图纸 533072271\_sd.pdf

### 3D 模型和设计文件

3D模型 533072271\_stp.zip

### 规格

包装规格 SPK-53307-001-001.pdf


产品规格 PS-52465-015-001.pdf

产品规格 PS-52588-031-001.pdf

---

## 产物环境合规

### 合规

GADSL/IMDS	Not Relevant
China RoHS	
EU ELV	Not Relevant
Low-Halogen Status	Not Low-Halogen per IEC 61249-2-21
REACH SVHC	Not Contained per D(2023)8585-DC (23 Jan 2024)
EU RoHS	Compliant per EU 2015/863

### 多部分产品合规性声明

- Eu RoHS
- REACH SVHC
- Low-Halogen
  
- IPC 1752A Class C
- IPC 1752A Class D

- Molex Product Compliance Declaration

- IEC-62474

- chemSHERPA (xml)

欧盟 RoHS 合格证书

---

## 产品详情

### 常规

状态	活动
类别	Board-to-Board Connectors
系列	53307
说明	SlimStack Board-to-Board Connector, 0.80mm Pitch, Plug, 4.50 or 5.50mm Mated Height, 22 Circuits, Vertical, without Boss
产品系列	0.8 and above
应用	Board-to-Board, Signal
元件类型	PCB Header
产品系列	SlimStack Board-to-Board/Board-to-FPC Connectors
产品名称	SlimStack
UPC	822348180493

### 电气

每触点最大电流	0.5A
电压 - 最大	50V

### 物理

断开	否
回路数 (已载入)	22
电路数 (最多)	22
颜色-树脂	Natural
先接后断	否
符合灼热丝规范	否
可配插产品指南	否
插接极性	无
锁定插接部位	无

插配长度	4.50mm, 5.50mm
插配宽度	5.10mm, 7.20mm
材料 - 金属	Phosphor Bronze
材料 - 接合部位电镀	Tin
材料 - 终端电镀	Tin
材料 - 树脂	High Temperature Thermoplastic
净重	310.200/mg
行数	2
方向	垂直
包装形式	Embossed Tape on Reel
PCB 定位器	否
PCB 保持力	无
间距 - 插配接口	0.80mm
间距 - 终端界面	0.80mm
最薄镀层 - 接合部位	3.048µm
最薄镀层 - 端接	3.048µm
PCB 极性	否
有护墙的	Fully
运行温度范围	-40° to +105° C
终端界面类型	Surface Mount

---

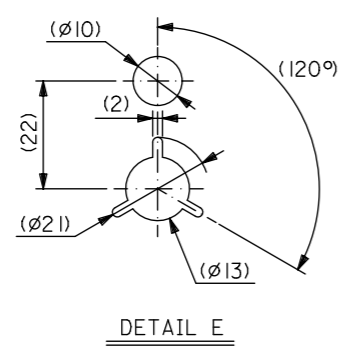
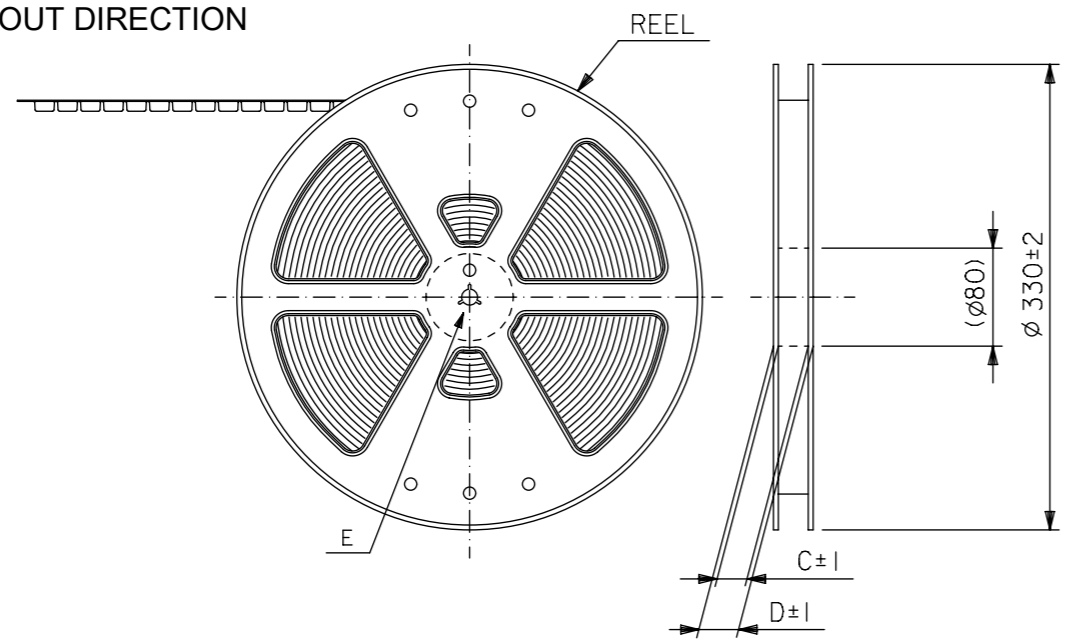
## 可配插/可连接使用的产品

### 可配插部件

描述	产品编号
0.80mm Pitch Vertical SlimStack Receptacles	<u>52465</u>
0.80mm Pitch Vertical SlimStack Receptacles	<u>52588</u>

---

引き出し方向  
PULL OUT DIRECTION

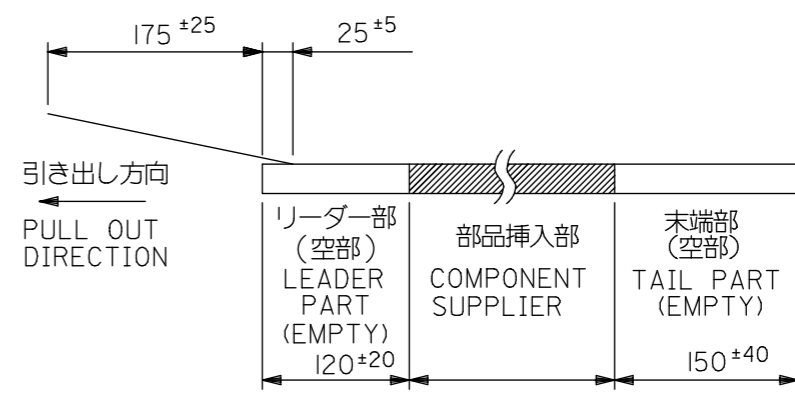


注記 NOTES

1. 梱包数量 : 1000個/リール NUMBER OF CONNECTORS : 1000PCS/REEL

2. リードテープ長さ LEAD TAPE LENGTH

トップテープリーダー部 TOP TAPE LEADER PART  
トップテープ未接着部 TOP TAPE NON-BONDED PART



3. トップテープの剥離強度についてはIEC60286-3に準拠。  
TOP TAPE PEEL FORCE IS DEFINED BY IEC60286-3.

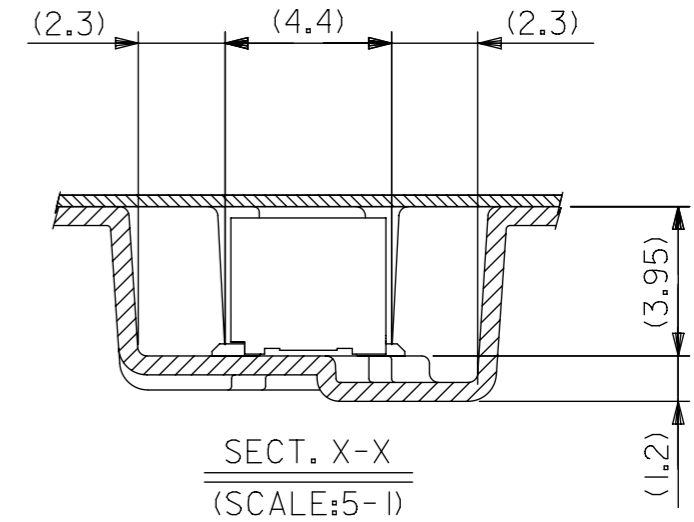
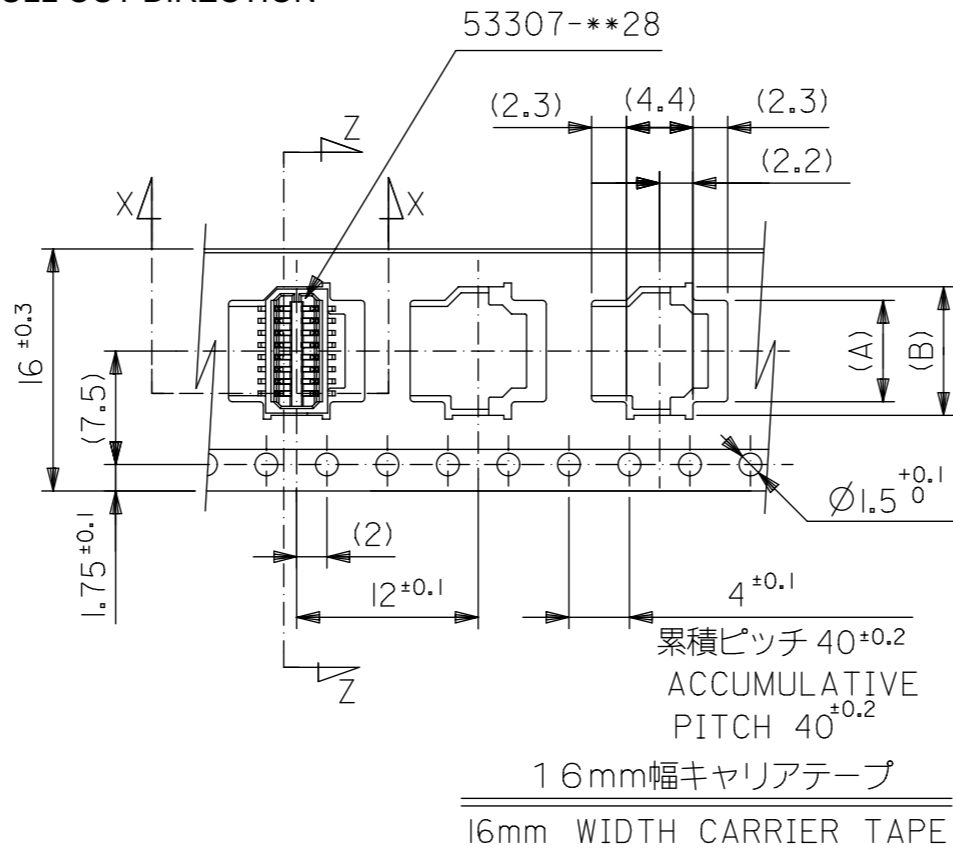
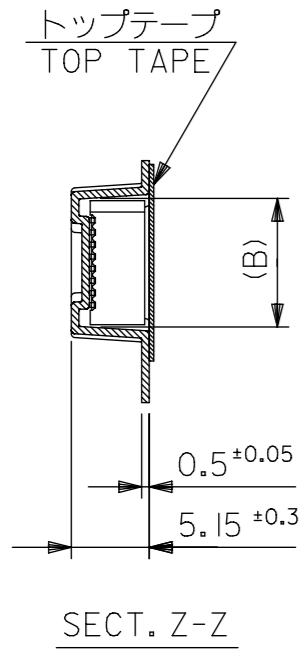
4. 材料 キャリアテープ : ポリプロピレン (PP)  
トップテープ : PET, PE, PEF  
リール : ポリスチレン (PS) <リサイクル材を含む>

MATERIAL  
CARRIER TAPE : POLYPROPYLENE  
TOP TAPE : PET, PE, PEF  
REEL : POLYSTYRENE (PS) < CONTAINED RECYCLE MATERIAL >

5. 本製品は53307-\*\*91の鉛フリー品である。  
THIS PRODUCT IS LEAD FREE OF 53307-\*\*91.

THIS DRAWING CONTAINS INFORMATION THAT IS PROPRIETARY TO MOLEX ELECTRONIC TECHNOLOGIES, LLC AND SHOULD NOT BE USED WITHOUT WRITTEN PERMISSION		CURRENT REV DESC:		<b>molex</b>	
DIMENSION UNITS	SCALE				
mm	NTS			0.8 MM PITCH B-TO-B CONN. PLUG (WITHOUT BOSS) EMBOSS TAPE PACKAGE	
GENERAL TOLERANCES (UNLESS SPECIFIED)		EC NO: 653700		PRODUCT CUSTOMER DRAWING	
ANGULAR TOL ± 30°		DRWN: AHMADI2 2021/02/03		DOCUMENT NUMBER	
4 PLACES ± 0.2		CHK'D: HSHIMUYAMA 2021/02/26		SD-53307-014	
3 PLACES ± 0.25		APPR: SHOSHIKAWA 2021/02/26		DOC TYPE	
2 PLACES ± 0.3		INITIAL REVISION:		PSD	
1 PLACE ±		DRWN: HSHIMABUKURO 2004/03/03		DOC PART	
0 PLACES ±		APPR: MSASAO 2004/03/05		001	
DRAFT WHERE APPLICABLE MUST REMAIN WITHIN DIMENSIONS		THIRD ANGLE PROJECTION		REVISION	
		DRAWING		B	
		SERIES		SHEET NUMBER	
		A3-SIZE		1 OF 3	
		53307		GENERAL MARKET	

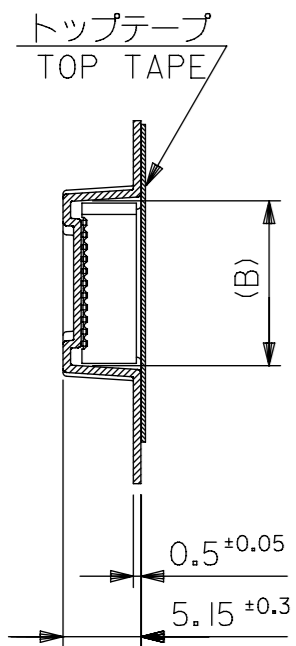
引き出し方向  
PULL OUT DIRECTION



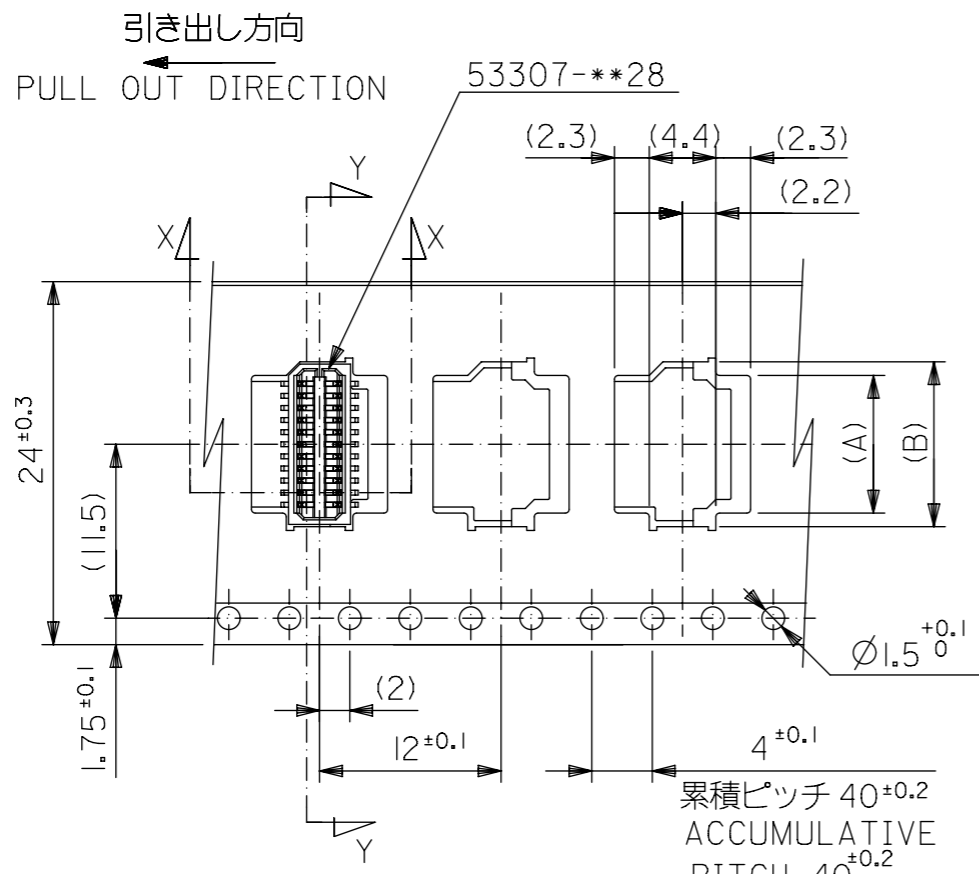
16	21.4	17.4	9.3	7.5	53307-1871	18	
			8.5	6.7	53307-1671	16	
			7.7	5.9	53307-1471	14	
			6.9	5.1	53307-1271	12	
			6.1	4.3	53307-1071	10	
キャリアテープ幅 CARRIER TAPE WIDTH		D	C	(B)	(A)	EMBOSSED TAPE PACKAGE	極数 CIRCUITS
						ORDER NO	

THIS DRAWING CONTAINS INFORMATION THAT IS PROPRIETARY TO MOLEX ELECTRONIC TECHNOLOGIES, LLC AND SHOULD NOT BE USED WITHOUT WRITTEN PERMISSION

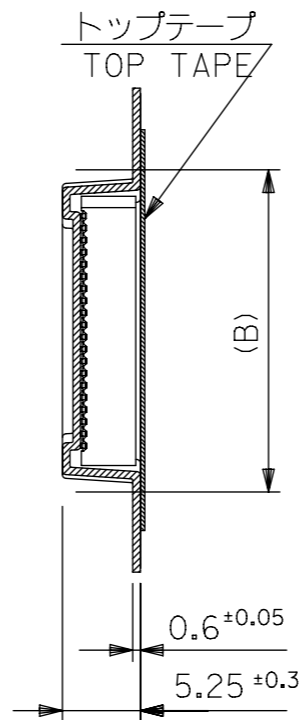
DIMENSION UNITS mm	SCALE NTS	CURRENT REV DESC:		<b>molex</b>			
GENERAL TOLERANCES (UNLESS SPECIFIED)		EC NO: 653700					
ANGULAR TOL ± 30°		DRWN: AHMADI2		PRODUCT CUSTOMER DRAWING			
4 PLACES ± 0.2		CHK'D: HSHIMYOYAMA		DOCUMENT NUMBER			
3 PLACES ± 0.25		APPR: SHOSHIKAWA		SD-53307-014			
2 PLACES ± 0.3		INITIAL REVISION:		DOC TYPE			
1 PLACE ±		DRWN: HSHIMABUKURO		PSD			
0 PLACES ±		APPR: MSASAO		DOC PART			
DRAFT WHERE APPLICABLE MUST REMAIN WITHIN DIMENSIONS		THIRD ANGLE PROJECTION		REVISION			
		DRAWING		B			
		SERIES		SHEET NUMBER			
		A3-SIZE		2 OF 3			
		53307		GENERAL MARKET			



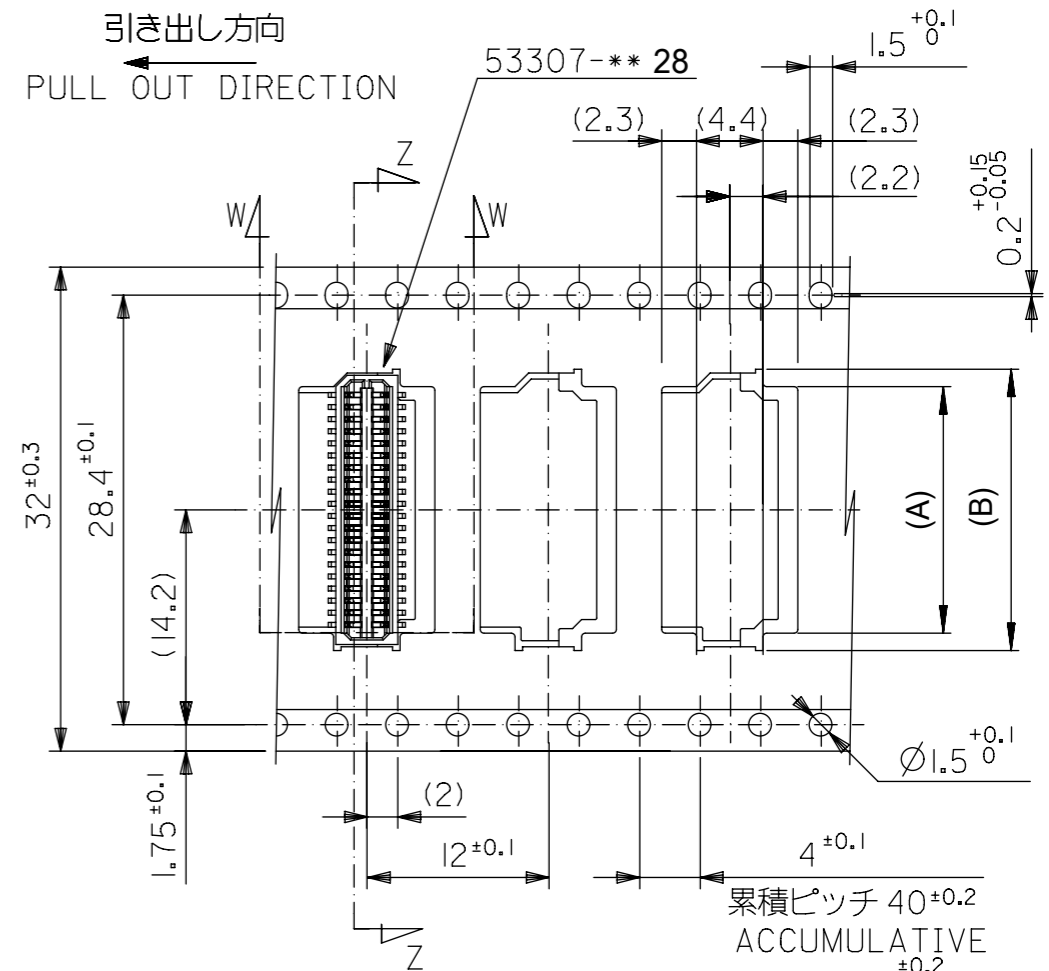
SECT. Y-Y



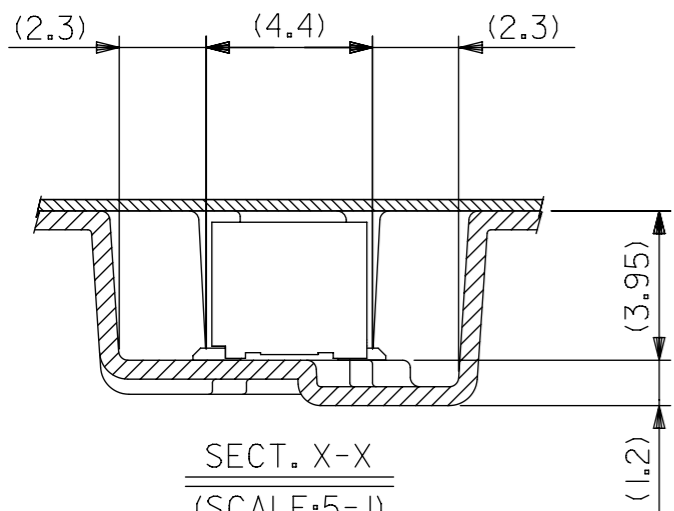
24mm幅キャリアテープ  
24mm WIDTH CARRIER TAPE



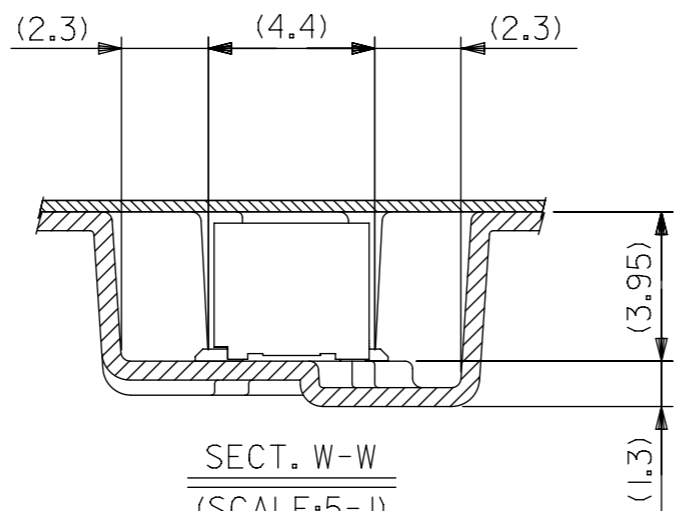
SECT. Z-Z



32mm幅キャリアテープ  
32mm WIDTH CARRIER TAPE



SECT. X-X  
(SCALE:5-1)

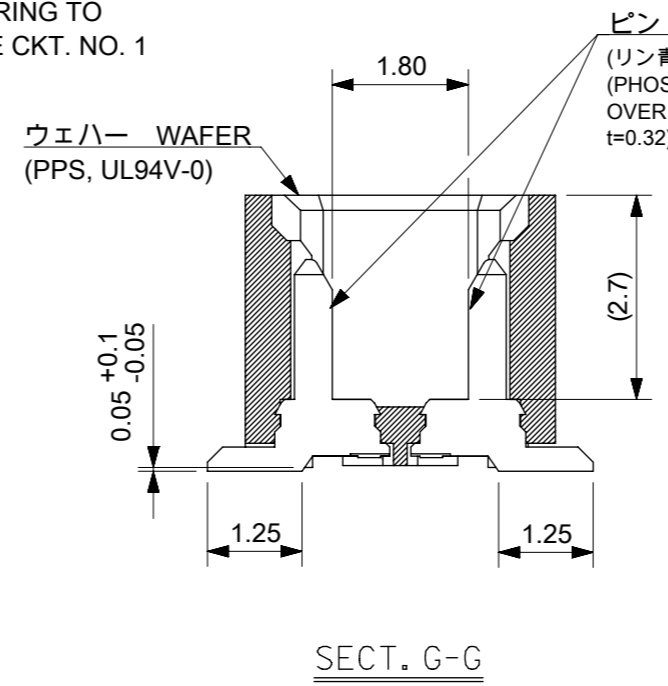
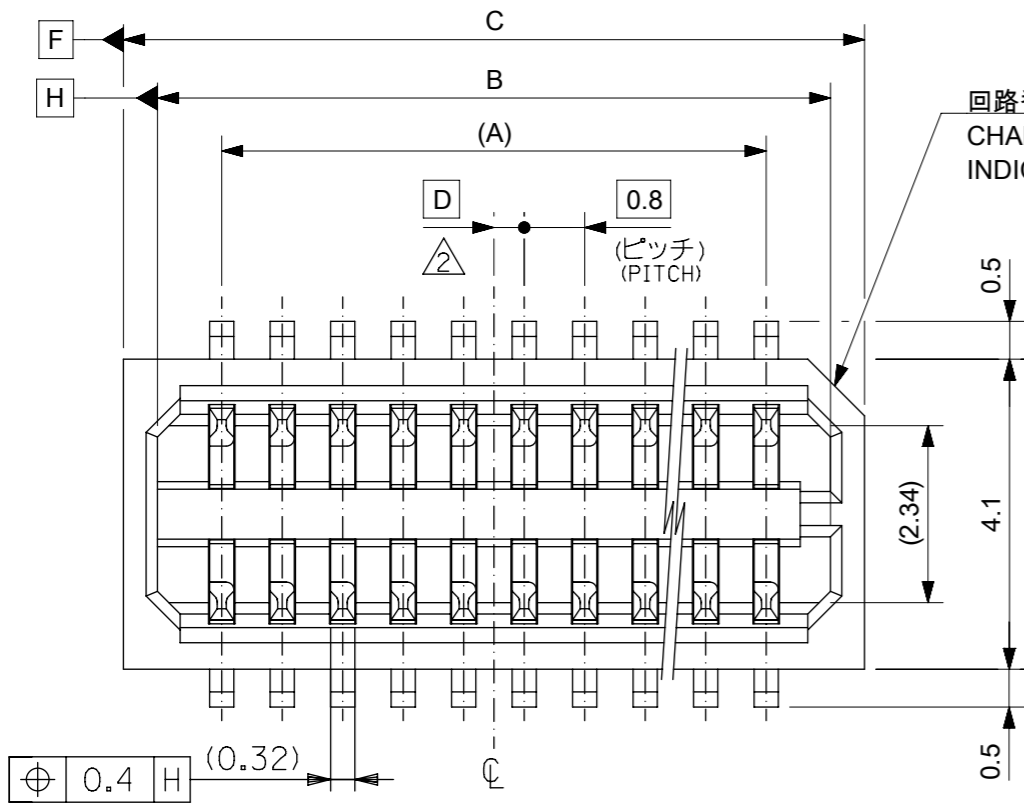


SECT. W-W  
(SCALE:5-1)

32	37.4	33.4	18.1	16.3	53307-4071	40		
24	29.4	25.4	16.5	14.7	53307-3671	36		
			15.7	13.9	53307-3471	34		
			14.1	12.3	53307-3071	30		
			13.3	11.5	53307-2871	28		
			12.5	10.7	53307-2671	26		
			11.7	9.9	53307-2471	24		
			10.9	9.1	53307-2271	22		
			10.1	8.3	53307-2071	20		
キャリアテープ幅 CARRIER TAPE WIDTH			D	C	(B)	(A)	EMBOSSED TAPE PACKAGE	極数 CIRCUITS
						ORDER NO		

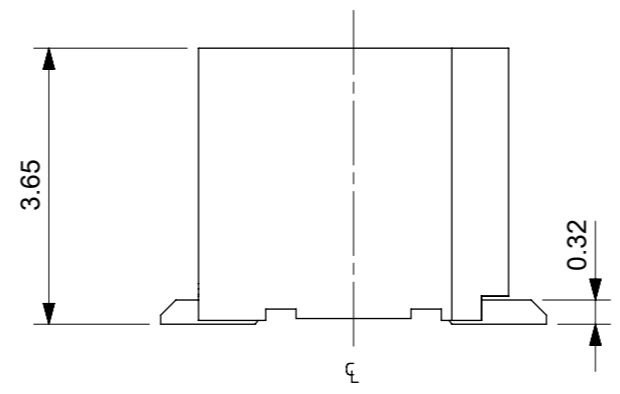
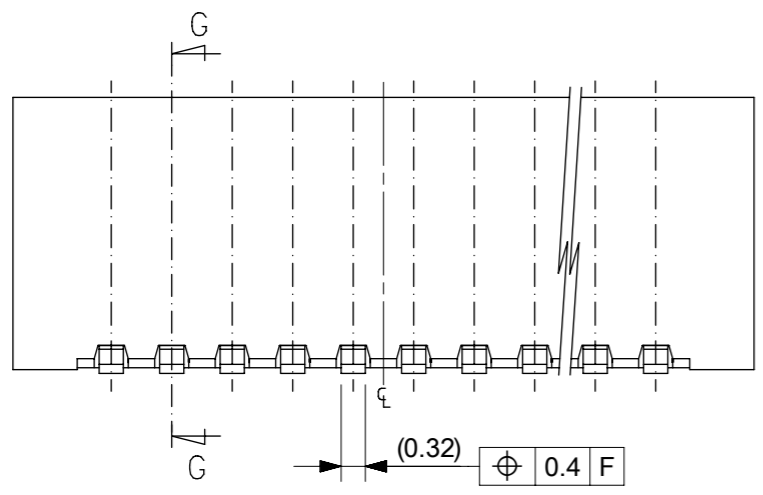
THIS DRAWING CONTAINS INFORMATION THAT IS PROPRIETARY TO MOLEX ELECTRONIC TECHNOLOGIES, LLC AND SHOULD NOT BE USED WITHOUT WRITTEN PERMISSION

DIMENSION UNITS	SCALE	CURRENT REV DESC:	<b>molex</b>		
mm	NTS				
GENERAL TOLERANCES (UNLESS SPECIFIED)			0.8 MM PITCH B-TO-B CONN. PLUG (WITHOUT BOSS) EMBOSS TAPE PACKAGE		
ANGULAR TOL	± 30°		PRODUCT CUSTOMER DRAWING		
4 PLACES	± 0.2	EC NO: 653700	DOCUMENT NUMBER		
3 PLACES	± 0.25	DRWN: AHMADI2	DOC TYPE		
2 PLACES	± 0.3	CHK'D: HSHIMOYAMA	DOC PART		
1 PLACE	±	APPR: SHOSHIKAWA	REVISION		
0 PLACES	±	INITIAL REVISION:	SD-53307-014		
DRAFT WHERE APPLICABLE MUST REMAIN WITHIN DIMENSIONS			PSD 001 B		
THIRD ANGLE PROJECTION			MATERIAL NUMBER		
DRAWING			CUSTOMER		
SERIES			SHEET NUMBER		
A3-SIZE			GENERAL MARKET		
53307			3 OF 3		

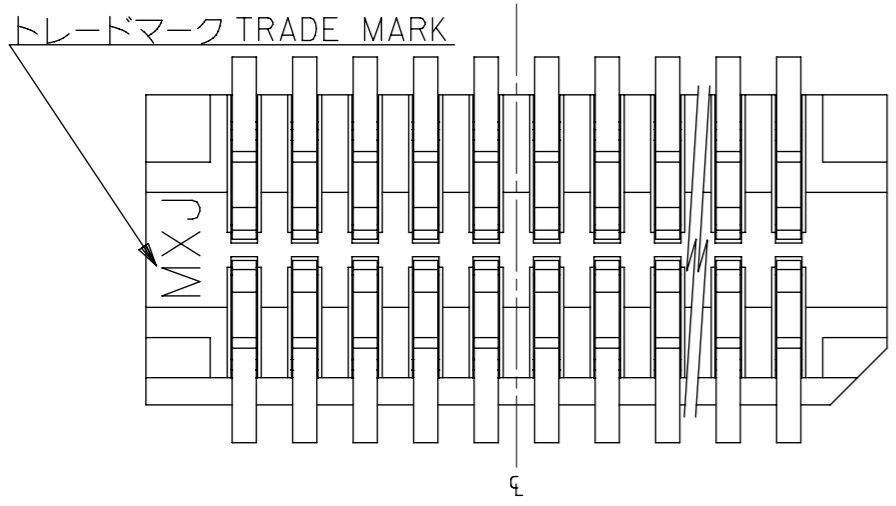


注記 NOTES

- 1 嵌合相手 : 52465シリーズ  
MATE WITH : 52465 SERIES
- 2 ウェハーのϕから隣接するピンのϕ迄の位置を示す。  
SHOW POSITION FROM ϕ OF WAFER TO ϕ OF ADJACENT PINS.
- 3 本製品は 53307-\*\*27 の鉛フリー品である。  
THIS PRODUCT IS LEAD FREE OF 53307-\*\*27.



0.4	17.8	16.9	15.2	53307-4071	40
0.4	16.2	15.3	13.6	53307-3671	36
0.8	15.4	14.5	12.8	53307-3471	34
0.8	13.8	12.9	11.2	53307-3071	30
0.4	13.0	12.1	10.4	53307-2871	28
0.8	12.2	11.3	9.6	53307-2671	26
0.4	11.4	10.5	8.8	53307-2471	24
0.8	10.6	9.7	8.0	53307-2271	22
0.4	9.8	8.9	7.2	53307-2071	20
0.8	9.0	8.1	6.4	53307-1871	18
0.4	8.2	7.3	5.6	53307-1671	16
0.8	7.4	6.5	4.8	53307-1471	14
0.4	6.6	5.7	4.0	53307-1271	12
0.8	5.8	4.9	3.2	53307-1071	10
D	C	B	A	EMBOSSED TAPE PACKAGE	極数
				ORDER NO	CIRCUITS



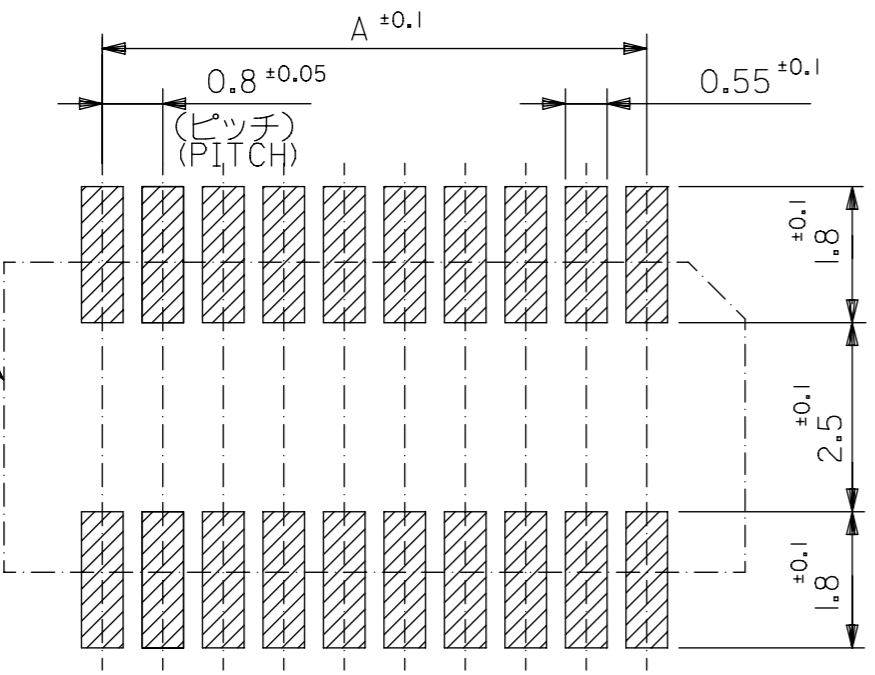
THIS DRAWING CONTAINS INFORMATION THAT IS PROPRIETARY TO MOLEX ELECTRONIC TECHNOLOGIES, LLC AND SHOULD NOT BE USED WITHOUT WRITTEN PERMISSION

DIMENSION UNITS	SCALE	CURRENT REV DESC:
mm	NTS	
GENERAL TOLERANCES (UNLESS SPECIFIED)		
10 <sup>UNDER</sup>	±0.2	ANGULAR TOL ± 30°
10 <sup>OVER</sup> 30 <sup>UNDER</sup>	±0.25	4 PLACES ± 0.2
30 <sup>OVER</sup>	±0.3	3 PLACES ± 0.25
		2 PLACES ± 0.3
		1 PLACE ±
		0 PLACES ±
DRAFT WHERE APPLICABLE MUST REMAIN WITHIN DIMENSIONS		
DRAFT WHERE APPLICABLE MUST REMAIN WITHIN DIMENSIONS		
THIRD ANGLE PROJECTION		

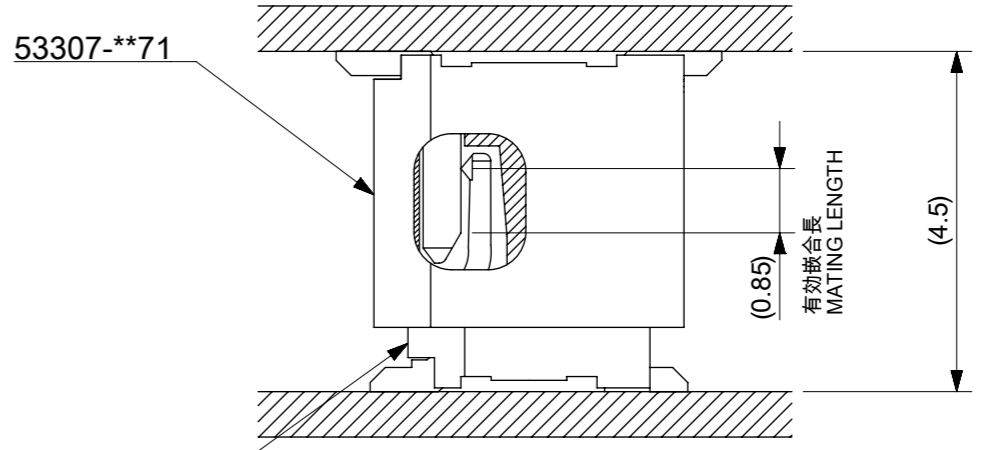
EC NO: 656567	DRWN: AHMADI2	2021/02/03
CHK'D: HSHIMOYAMA	APPR: SHOSHIKAWA	2021/02/26
INITIAL REVISION:	DRWN: HSHIMABUKURO	2004/03/03
	APPR: MSASAO	2004/03/05

molex		
0.8 MM PITCH B-TO-B CONN. PLUG (WITHOUT BOSS)		
PRODUCT CUSTOMER DRAWING		
DOCUMENT NUMBER	DOC TYPE	DOC PART
SD-53307-015	PSD	001
REVISION	SHEET NUMBER	
E	1 OF 2	

コネクタ位置  
CONNECTOR  
POSITION



参考基板レイアウト (マウント面)  
P.C.B PATTERN LAYOUT (REF.) (MOUNT AREA)



嵌合相手 MATE WITH  
52465-\*\*70 (BOSSあり WITH BOSS)  
52465-\*\*71 (BOSS無し WITHOUT BOSS)

嵌合状態図 (参考)  
MATED DRAWING (REF.)

THIS DRAWING CONTAINS INFORMATION THAT IS PROPRIETARY TO MOLEX ELECTRONIC TECHNOLOGIES, LLC AND SHOULD NOT BE USED WITHOUT WRITTEN PERMISSION

DIMENSION UNITS		SCALE		CURRENT REV DESC:				<b>molex</b>		
mm		NTS								
GENERAL TOLERANCES (UNLESS SPECIFIED)				GENERAL TOLERANCES (UNLESS SPECIFIED)				0.8 MM PITCH B-TO-B CONN. PLUG (WITHOUT BOSS)		
10 <sup>UNDER</sup>		±0.2		4 PLACES		± 0.2		EC NO: 656567		
10 <sup>OVER</sup> 30 <sup>UNDER</sup>		±0.25		3 PLACES		± 0.25		DRWN: AHMADI2 2021/02/03		
30 <sup>OVER</sup>		±0.3		2 PLACES		± 0.3		CHK'D: HSHIMUYAMA 2021/02/26		
ANGULAR±3°				1 PLACE		±		APPR: SHOSHIKAWA 2021/02/26		
DRAFT WHERE APPLICABLE MUST REMAIN WITHIN DIMENSIONS				0 PLACES		±		INITIAL REVISION:		
								DRWN: HSHIMABUKURO 2004/03/03		
								APPR: MSASAO 2004/03/05		
THIRD ANGLE PROJECTION		DRAWING		SERIES		MATERIAL NUMBER		CUSTOMER		SHEET NUMBER
		A3-SIZE		53307		SD-53307-015		GENERAL MARKET		2 OF 2