



产品编号 : 533092070

系列号 : 53309

Product Category : Board-to-Board Connectors

Product Description : SlimStack Board-to-Board Connector, 0.80mm Pitch, Plug, 5.65 or 6.65mm Mated Height, 20 Circuits, Right-Angle, without Boss

状态 : Active

文件和资源

图纸

图纸 533092070_sd.pdf

3D 模型和设计文件

3D模型 533092070_stp.zip

规格

包装规格 SPK-53309-001-001.pdf


产品规格 PS-52465-014-001.pdf

产品规格 PS-52588-031-001.pdf

产品规格 PS-52588-032-001.pdf

产物环境合规

合规

GADSL/IMDS	Compliant with Exemption 44; 33
China RoHS	
EU ELV	Not Relevant
Low-Halogen Status	Not Low-Halogen per IEC 61249-2-21
REACH SVHC	Not Contained per D(2023)8585-DC (23 Jan 2024)
EU RoHS	Compliant per EU 2015/863

多部分产品合规性声明

- Eu RoHS
- REACH SVHC
- Low-Halogen
- IPC 1752A Class C

- IPC 1752A Class D
- Molex Product Compliance Declaration
- IEC-62474
- chemSHERPA (xml)

欧盟 RoHS 合格证书

产品详情

常规

状态	活动
类别	Board-to-Board Connectors
系列	53309
说明	SlimStack Board-to-Board Connector, 0.80mm Pitch, Plug, 5.65 or 6.65mm Mated Height, 20 Circuits, Right-Angle, without Boss
产品系列	0.8 and above
应用	Board-to-Board, Signal
元件类型	PCB Header
产品系列	SlimStack Board-to-Board/Board-to-FPC Connectors
产品名称	SlimStack
UPC	822348124282

电气

每触点最大电流	0.5A
电压 - 最大	50V

物理

断开	否
回路数 (已载入)	20
电路数 (最多)	20
颜色-树脂	Natural
耐用性(插拔次数) - 最多次数	30
先接后断	否
符合灼热丝规范	否
可配插产品指南	否

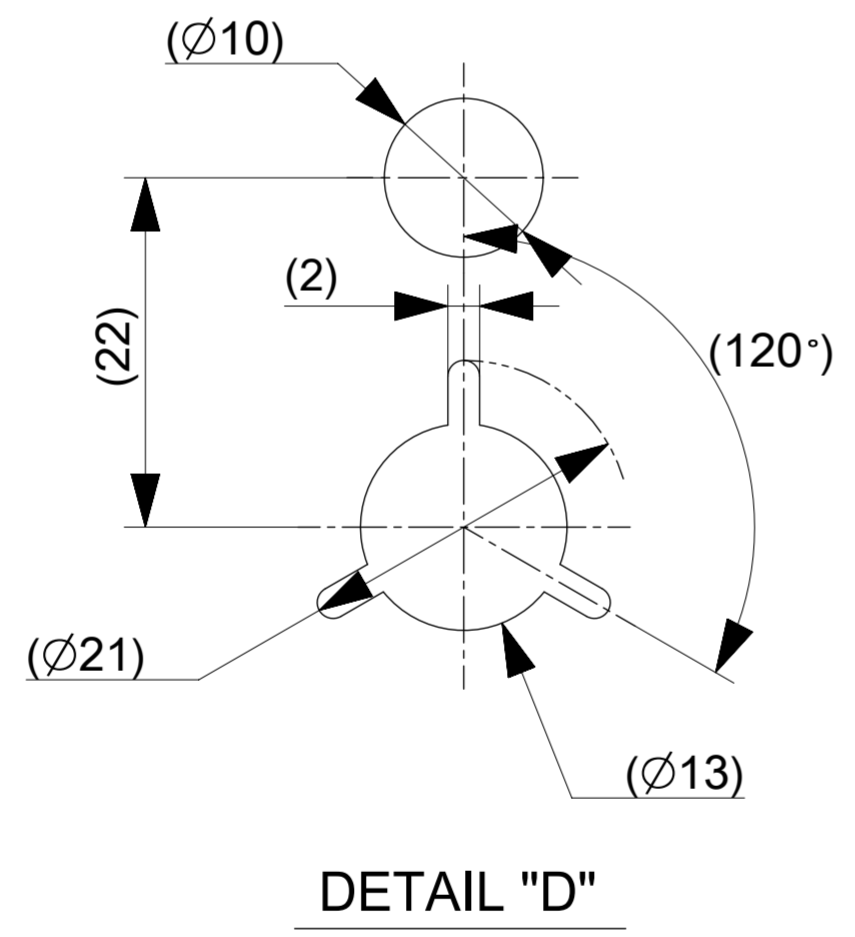
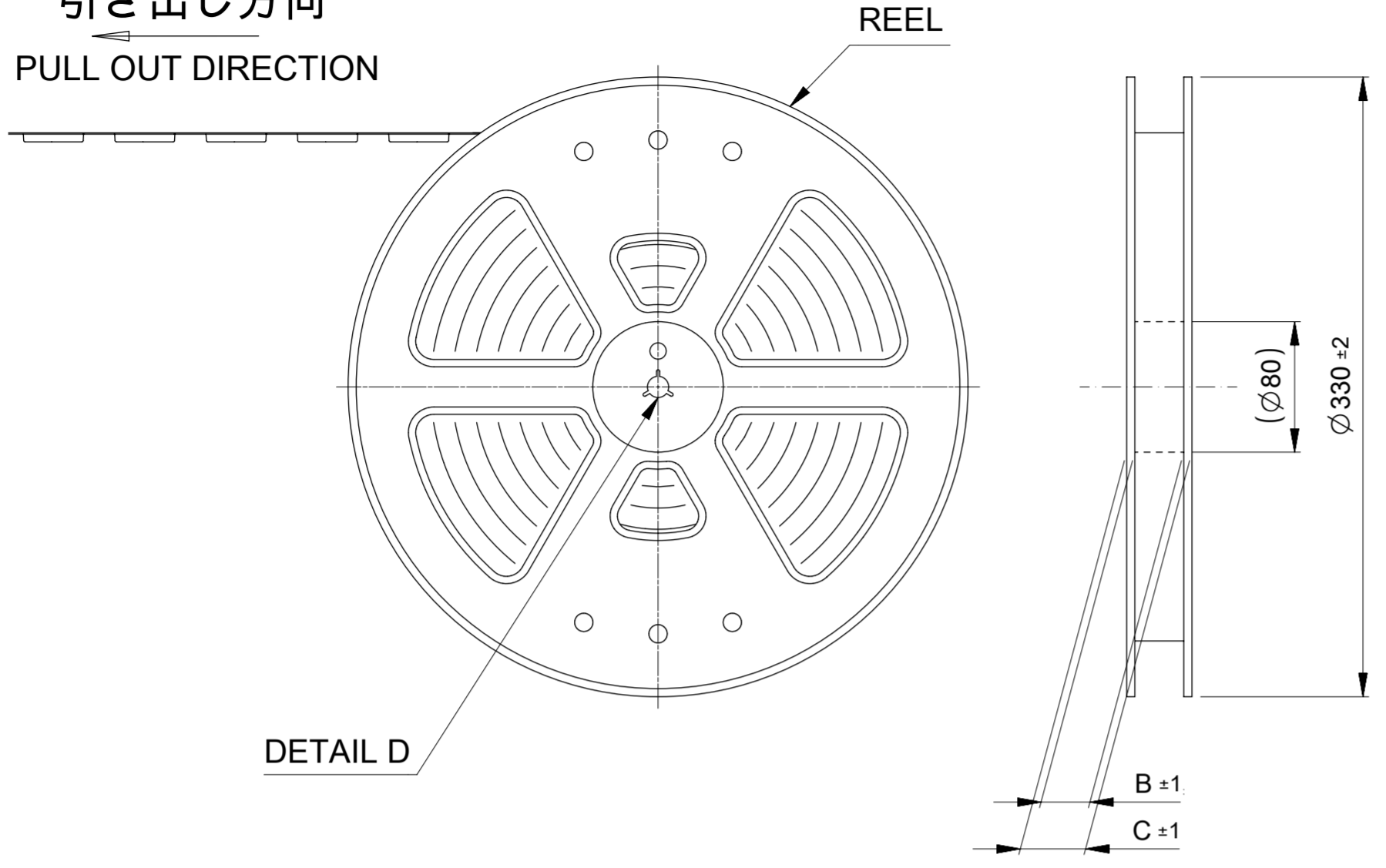
插接极性	无
锁定插接部位	是
插配长度	5.65mm, 6.65mm
插配宽度	4.70mm, 7.20mm
材料 - 金属	Phosphor Bronze
材料 - 接合部位电镀	Tin
材料 - 终端电镀	Tin
材料 - 树脂	High Temperature Thermoplastic
净重	401.060/mg
行数	2
方向	Right Angle
包装形式	Embossed Tape on Reel
PC 焊脚长度	0.40mm, 0.50mm
PCB 定位器	否
PCB 保持力	无
间距 - 插配接口	0.80mm
最薄镀层 - 接合部位	1.016µm
最薄镀层 - 端接	1.016µm
PCB 极性	否
有护墙的	Fully
运行温度范围	-40° to +105° C
终端界面类型	Surface Mount

可配插/可连接使用的产品

可配插部件

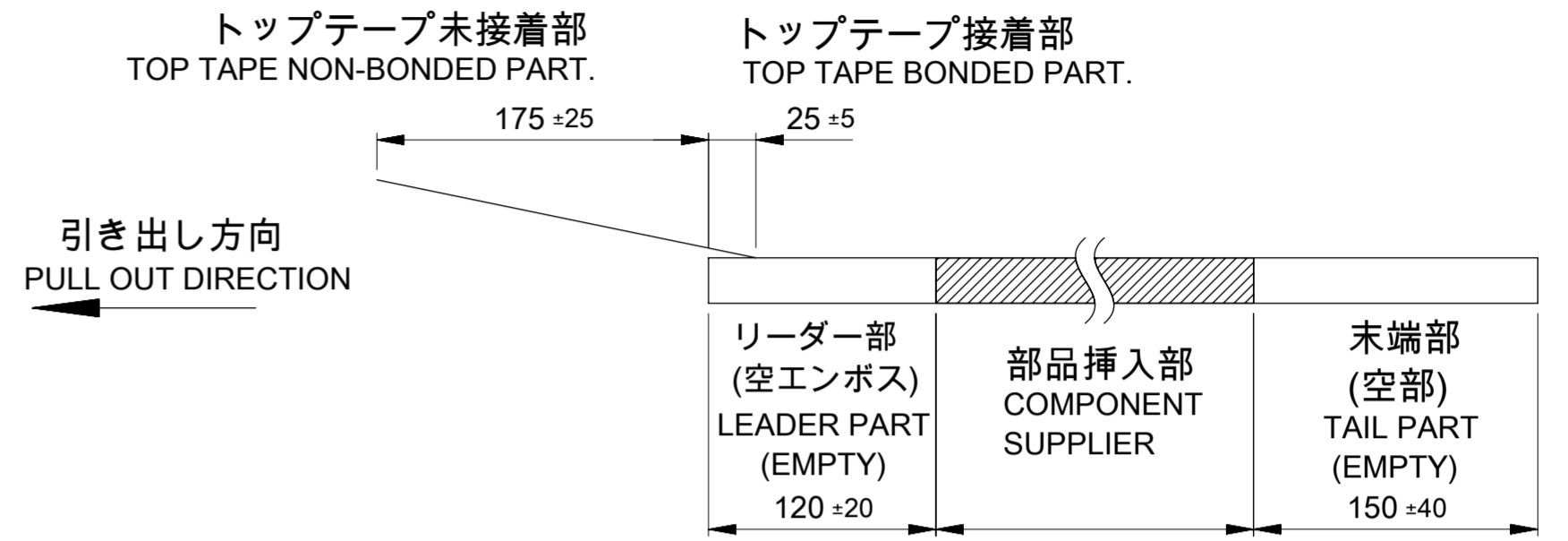
描述	产品编号
0.80mm Pitch Vertical SlimStack Receptacles	<u>52465</u>
0.80mm Pitch Vertical SlimStack Receptacles	<u>52588</u>

引き出し方向
PULL OUT DIRECTION



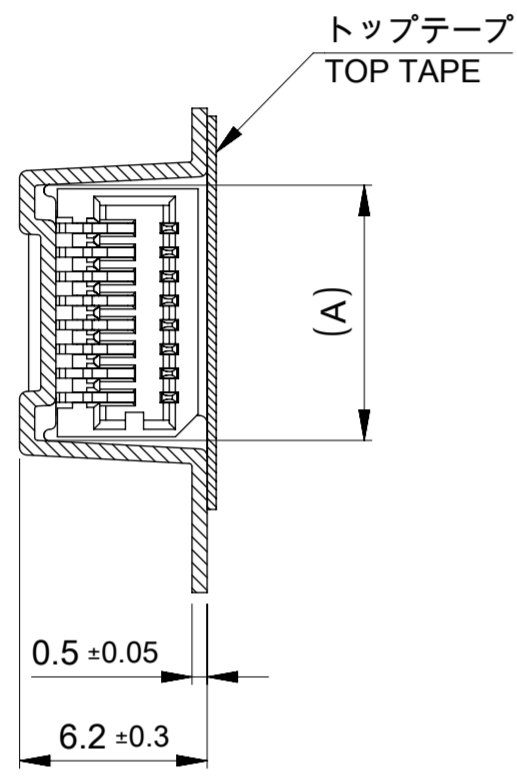
注記 NOTES

- 梱包数量 : 1000個/リール NUMBER OF CONNECTORS : 1000PCS/REEL
- リードテープ長さ LEAD TAPE LENGTH

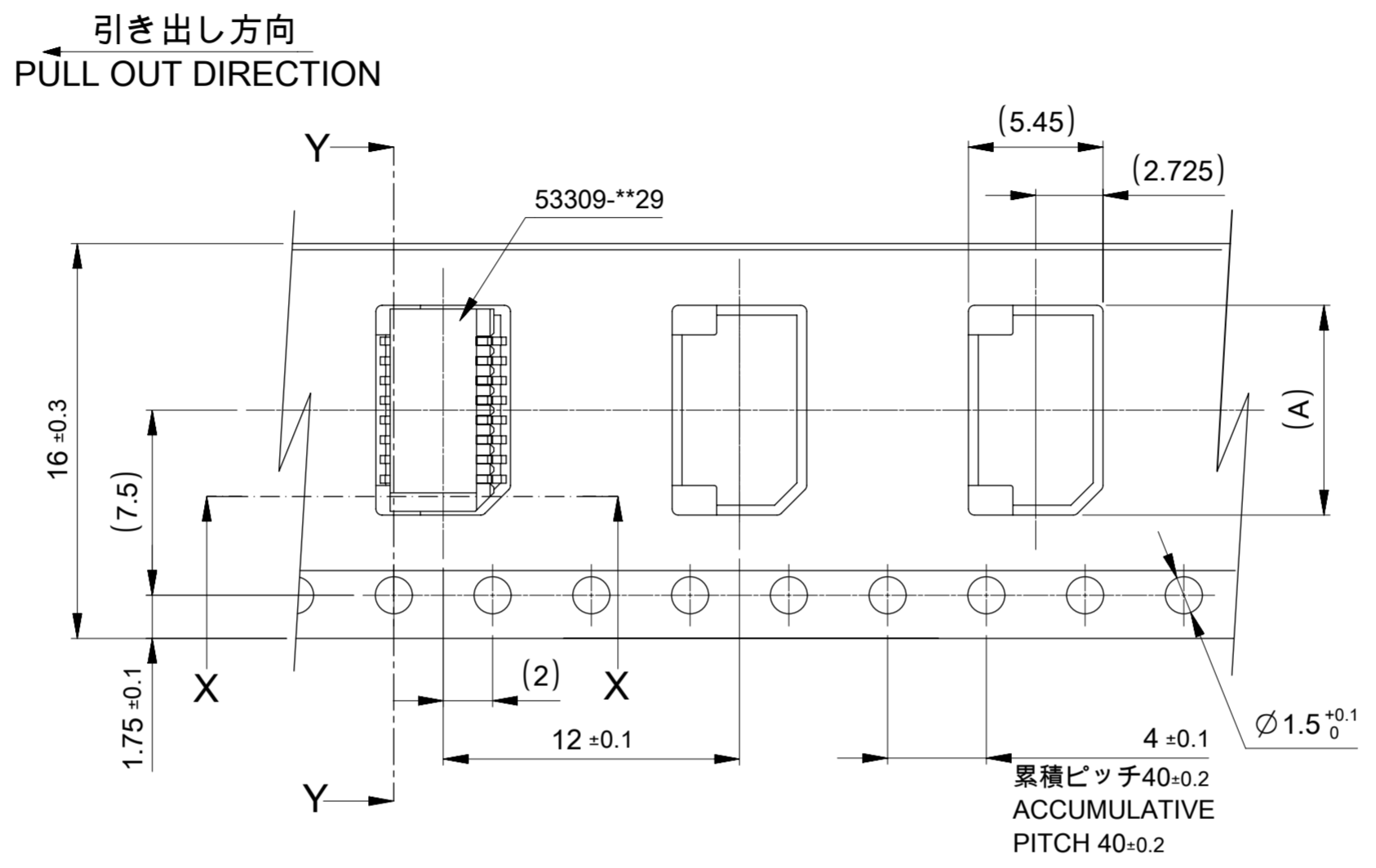


- トップテープの剥離強度についてはIEC60286-3に準拠。
TOP TAPE PEEL FORCE IS DEFINED BY IEC60286-3.
- 材料 キャリアテープ : ポリプロピレン (PP)
トップテープ : PET, PE, PEF
リール : ポリスチレン (PS) <リサイクル材を含む>
MATERIAL
CARRIER TAPE : POLYPROPYLENE
TOP TAPE : PET, PE, PEF
REEL : POLYSTYRENE (PS) < CONTAINED RECYCLE MATERIAL >
- 本製品は53309-**91の鉛フリー品である。
THIS PRODUCT IS LEAD FREE OF 53309-**91.

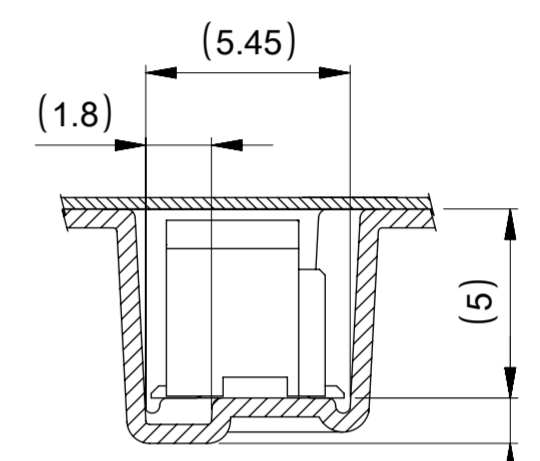
THIS DRAWING CONTAINS INFORMATION THAT IS PROPRIETARY TO MOLEX ELECTRONIC TECHNOLOGIES, LLC AND SHOULD NOT BE USED WITHOUT WRITTEN PERMISSION									
DIMENSION UNITS mm		SCALE NTS		CURRENT REV DESC:				molex	
GENERAL TOLERANCES (UNLESS SPECIFIED)		EC NO: 653700		DRWN: AHMADI2 2021/02/03		0.8 MM PITCH B-TO-B CONN. PLUG (WITHOUT BOSS) EMBOSS TAPE PACKAGE			
ANGULAR TOL ±		4 PLACES ±		CHK'D: HSHIMOYAMA 2021/02/26		PRODUCT CUSTOMER DRAWING		DOCUMENT NUMBER	
3 PLACES ±		2 PLACES ±		APPR: SHOSHIKAWA 2021/02/26		INITIAL REVISION:		533090000	
1 PLACE ±		0 PLACES ±		DRWN: YSATO06 2017/03/23		APPR: TKUSUHARA01 2017/03/27		DOC TYPE DOC PART REVISION PSD 000 B	
DRAFT WHERE APPLICABLE MUST REMAIN WITHIN DIMENSIONS		THIRD ANGLE PROJECTION		DRAWING A2-SIZE		SERIES 53309		MATERIAL NUMBER SEE CHART	
CUSTOMER		SHEET NUMBER 1 OF 3							



SECTION : Z-Z



16mm幅キャリアテープ
16mm WIDTH CARRIER TAPE

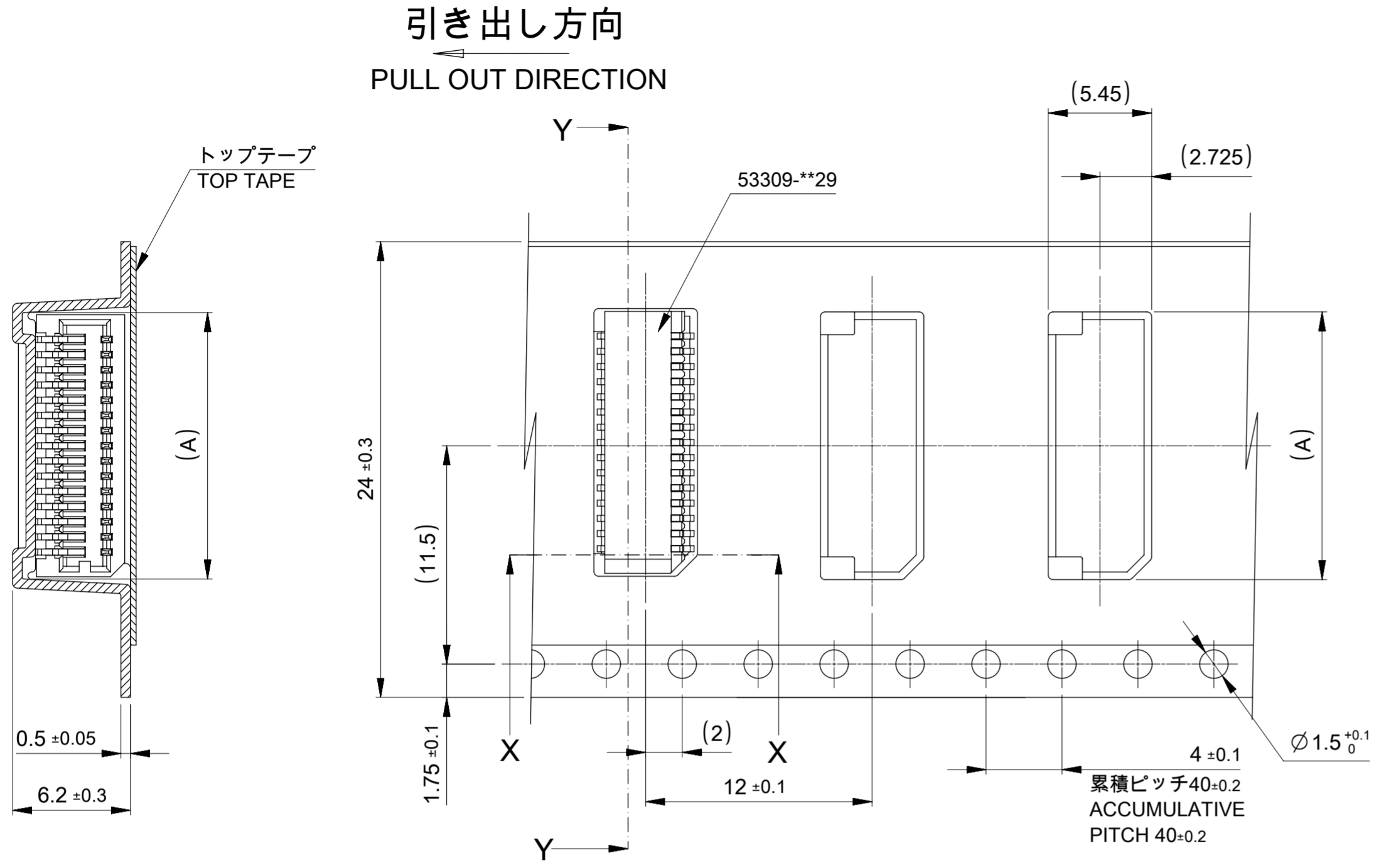


SECTION : X-X

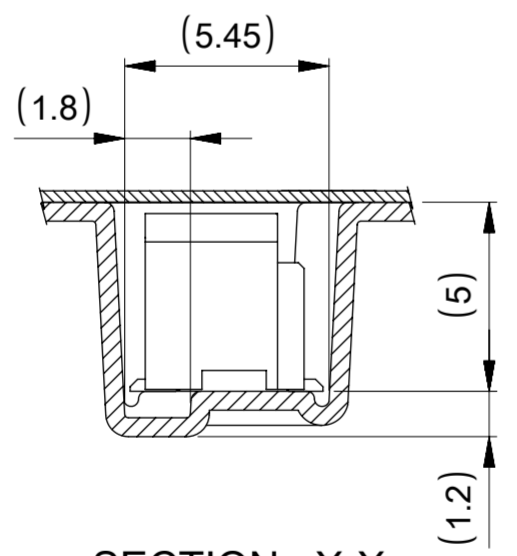
16	21.4	17.4	9.3	53309-1870	18	
			8.5	53309-1670	16	
			7.7	53309-1470	14	
			6.9	53309-1270	12	
			6.1	53309-1070	10	
キャリアテープ幅 CARRIER TAPE WIDTH		C	B	(A)	EMBOSSED TAPE PACKAGE ORDER NO	極数 CIRCUITS

THIS DRAWING CONTAINS INFORMATION THAT IS PROPRIETARY TO MOLEX ELECTRONIC TECHNOLOGIES, LLC AND SHOULD NOT BE USED WITHOUT WRITTEN PERMISSION

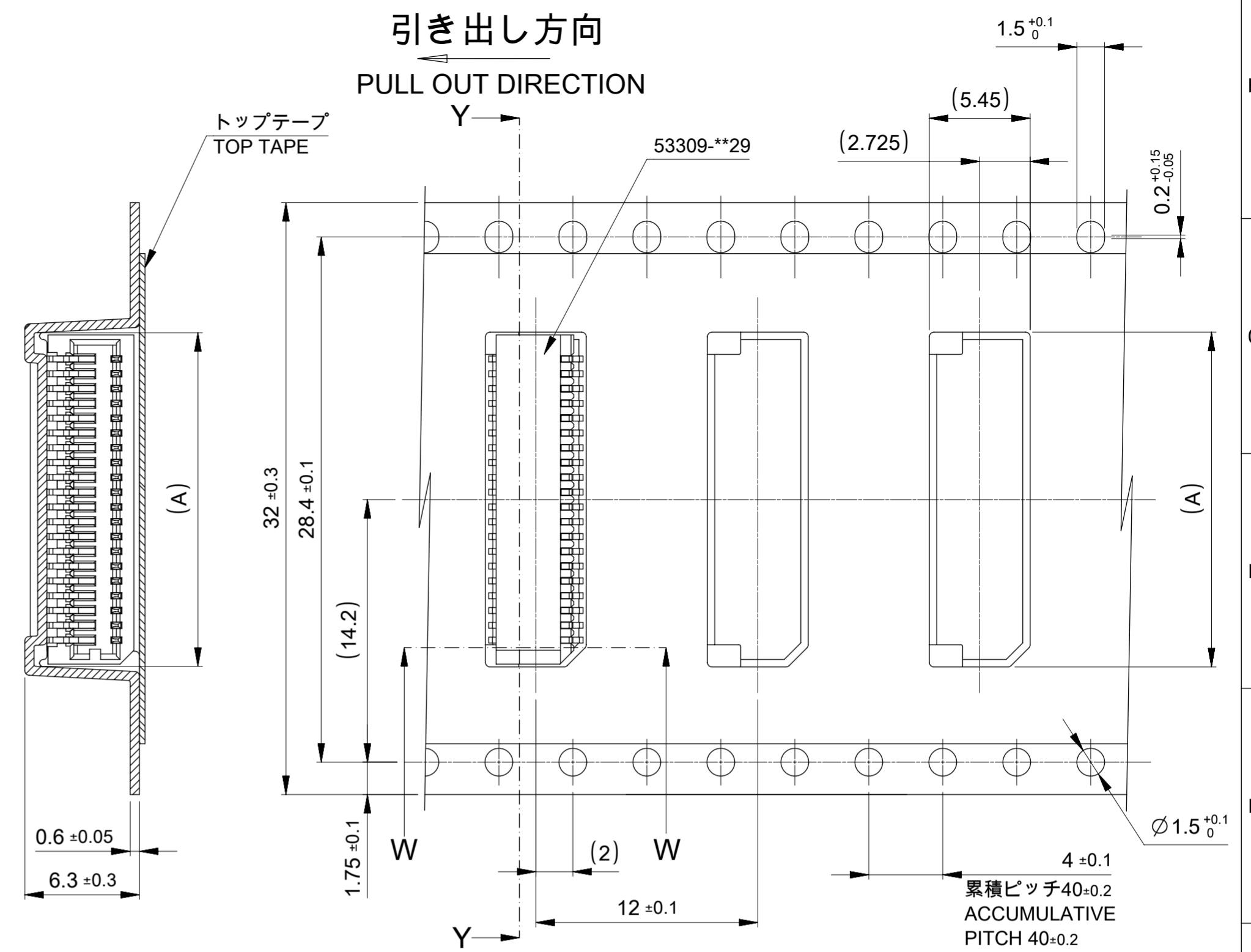
DIMENSION UNITS mm	SCALE NTS	CURRENT REV DESC:		molex			
GENERAL TOLERANCES (UNLESS SPECIFIED)		EC NO: 653700					0.8 MM PITCH B-TO-B CONN. PLUG (WITHOUT BOSS) EMBOSS TAPE PACKAGE
ANGULAR TOL	±	4 PLACES	±	DRWN: AHMADI2	2021/02/03	PRODUCT CUSTOMER DRAWING	
	±	3 PLACES	±	CHK'D: HSHIMOYAMA	2021/02/26		
	±	2 PLACES	±	APPR: SHOSHIKAWA	2021/02/26	DOCUMENT NUMBER 533090000	
	±	1 PLACE	±	INITIAL REVISION:			DOC TYPE PSD
	±	0 PLACES	±	DRWN: YSATO06	2017/03/23	DOC PART 000	
	±			APPR: TKUSUHARA01	2017/03/27	REVISION B	
DRAFT WHERE APPLICABLE MUST REMAIN WITHIN DIMENSIONS		THIRD ANGLE PROJECTION	DRAWING A2-SIZE	SERIES 53309	MATERIAL NUMBER SEE CHART	CUSTOMER	SHEET NUMBER 2 OF 3



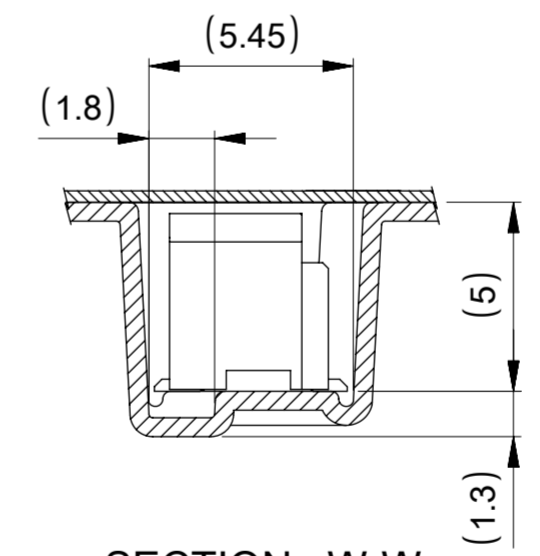
24mm幅キャリアテープ
24mm WIDTH CARRIER TAPE



SECTION : X-X



32mm幅キャリアテープ
32mm WIDTH CARRIER TAPE

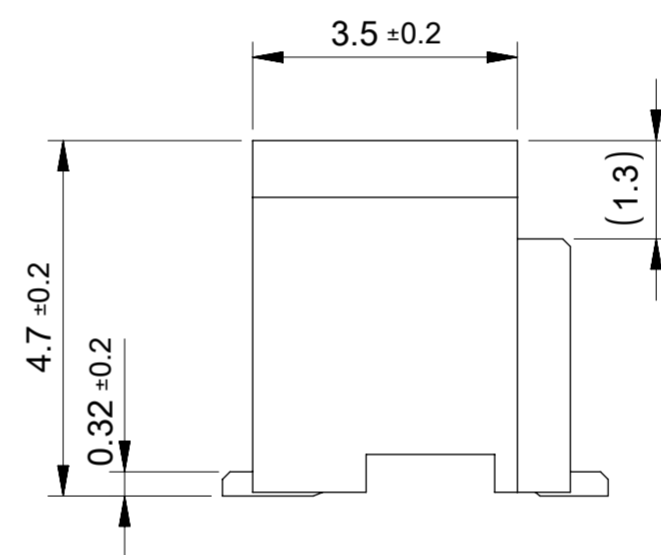
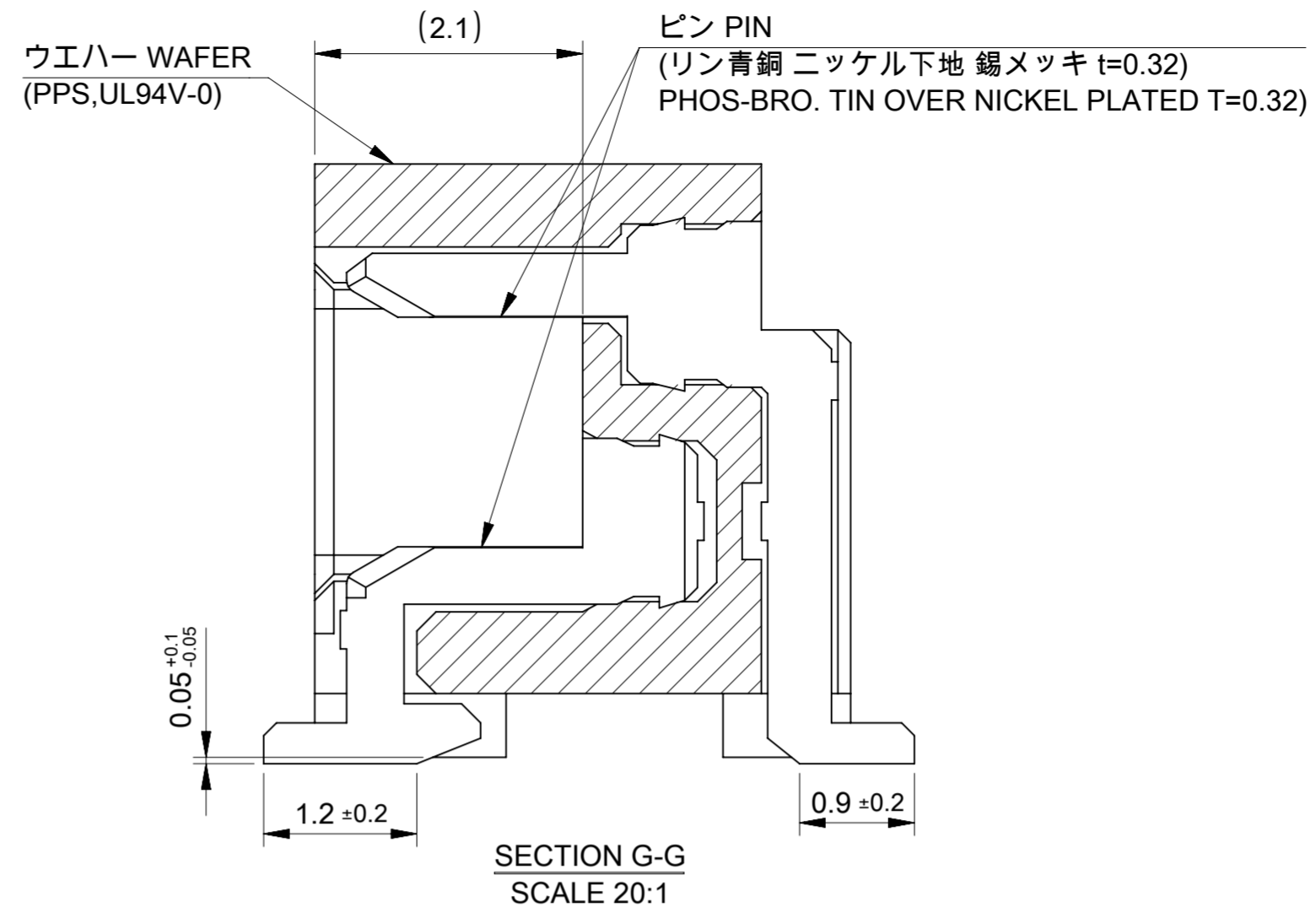
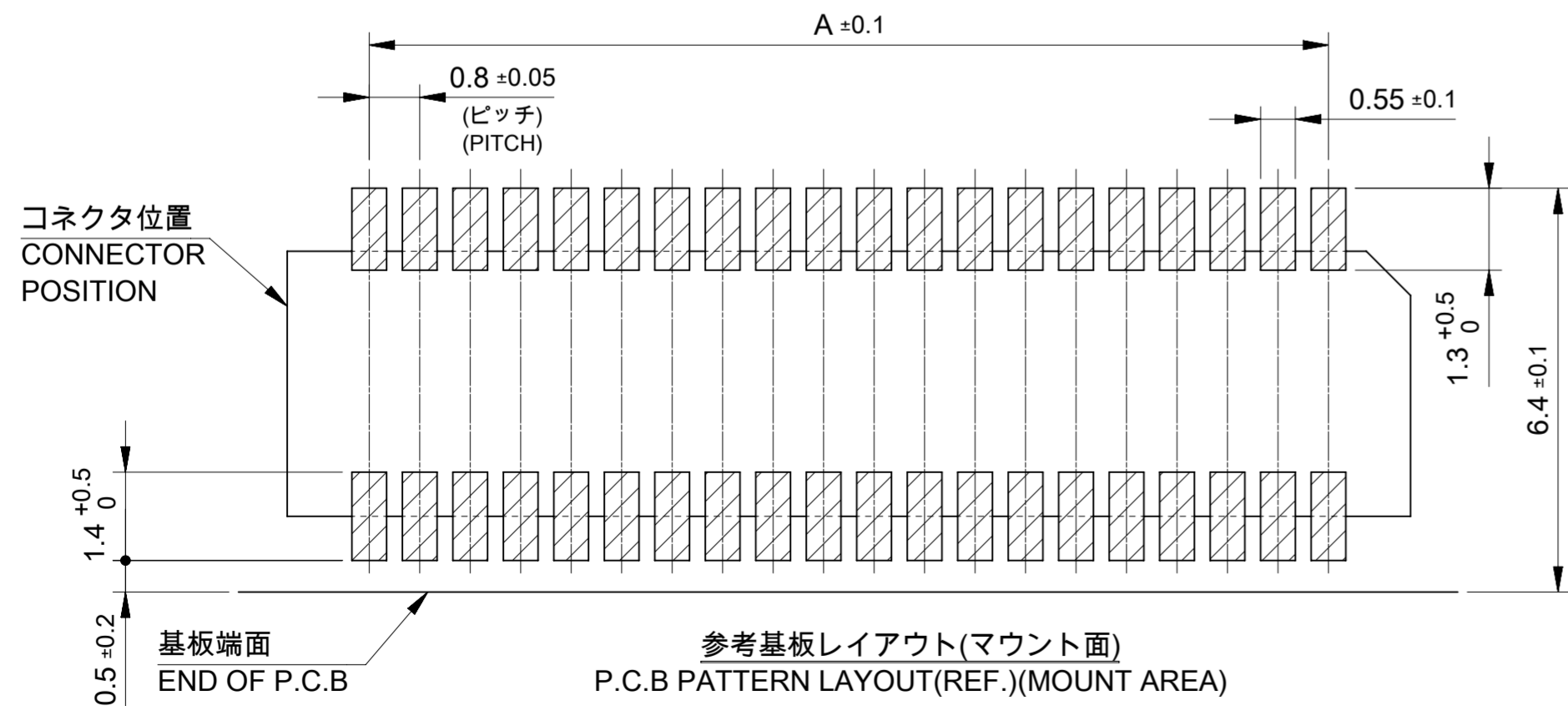
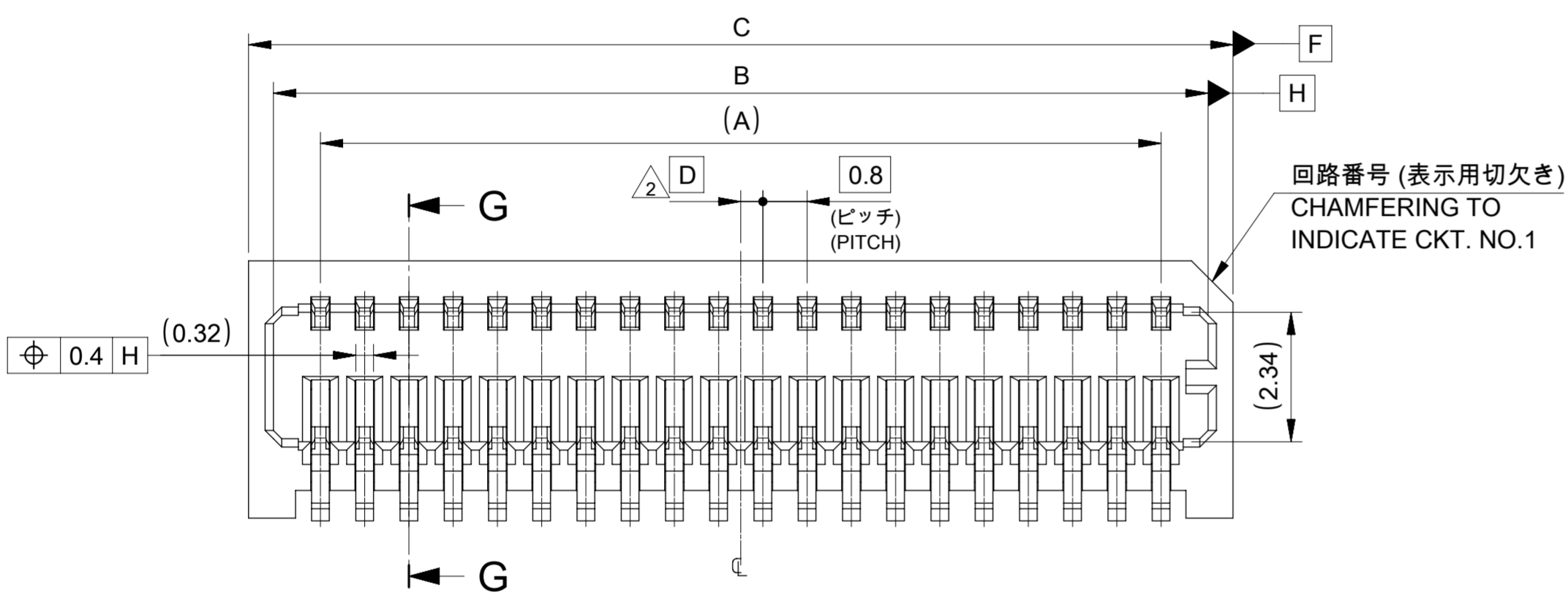
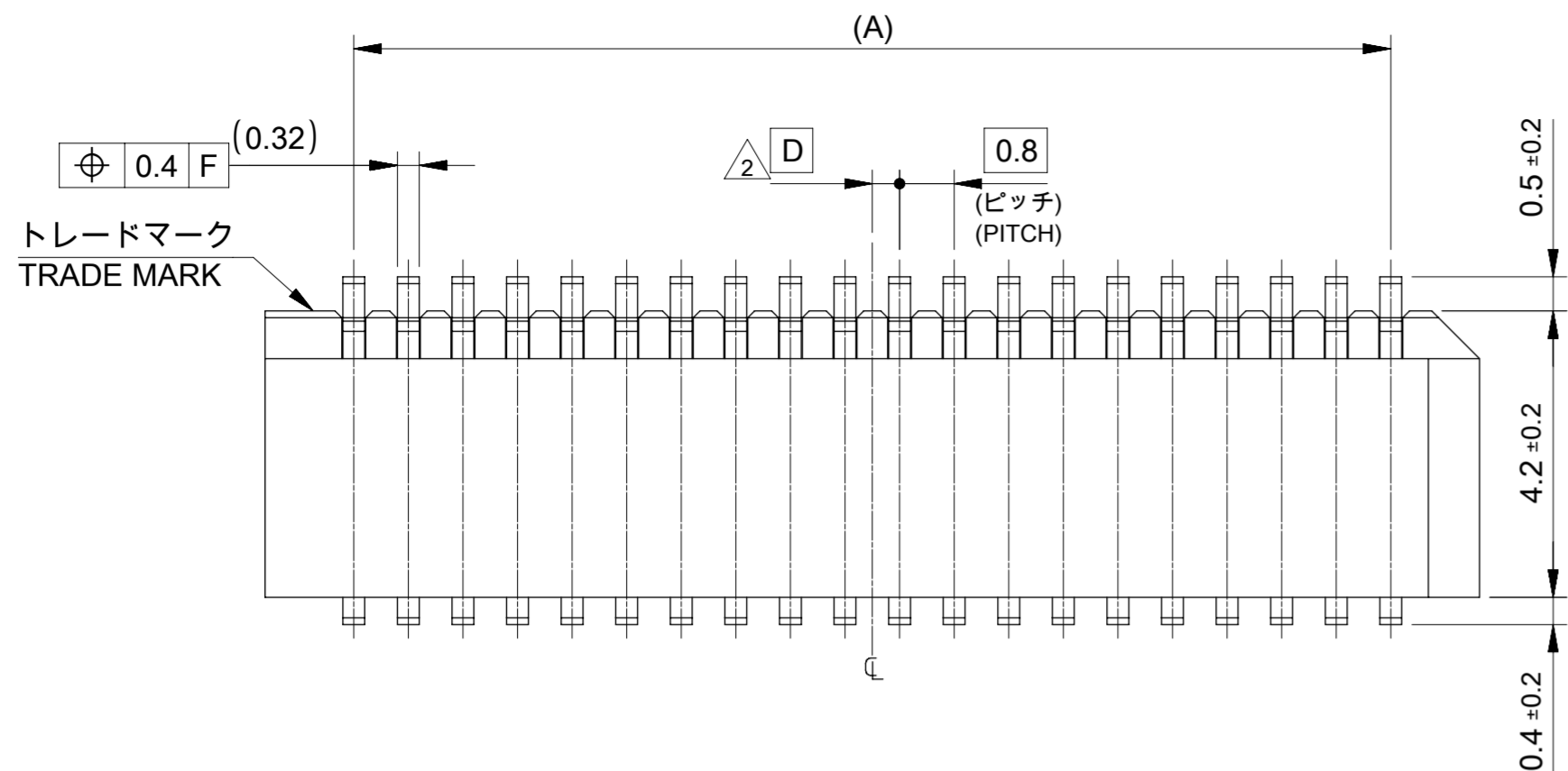


SECTION : W-W

32	37.4	33.4	18.1	53309-4070	40
24	29.4	25.4	16.5	53309-3670	36
			14.9	53309-3270	32
			14.1	53309-3070	30
			13.3	53309-2870	28
			12.5	53309-2670	26
			11.7	53309-2470	24
			10.9	53309-2270	22
			10.1	53309-2070	20
キャリアテープ幅 CARRIER TAPE WIDTH	C	B	(A)	EMBOSSED TAPE PACKAGE ORDER NO	極数 CIRCUIT

THIS DRAWING CONTAINS INFORMATION THAT IS PROPRIETARY TO MOLEX ELECTRONIC TECHNOLOGIES, LLC AND SHOULD NOT BE USED WITHOUT WRITTEN PERMISSION

DIMENSION UNITS	SCALE	CURRENT REV DESC:	molex			
mm	NTS					
GENERAL TOLERANCES (UNLESS SPECIFIED)			0.8 MM PITCH B-TO-B CONN. PLUG (WITHOUT BOSS) EMBOSS TAPE PACKAGE PRODUCT CUSTOMER DRAWING			
ANGULAR TOL	±					
4 PLACES	±	EC NO: 653700				
3 PLACES	±	DRWN: AHMADI2 2021/02/03				
2 PLACES	±	CHK'D: HSHIMOYAMA 2021/02/26				
1 PLACE	±	APPR: SHOSHIKAWA 2021/02/26				
0 PLACES	±	INITIAL REVISION:	DOCUMENT NUMBER	DOC TYPE	DOC PART	REVISION
		DRWN: YSATO06 2017/03/23	533090000	PSD	000	B
		APPR: TKUSUHARA01 2017/03/27				
DRAFT WHERE APPLICABLE MUST REMAIN WITHIN DIMENSIONS	THIRD ANGLE PROJECTION	DRAWING	SERIES	MATERIAL NUMBER	CUSTOMER	SHEET NUMBER
		A2-SIZE	53309	SEE CHART		3 OF 3

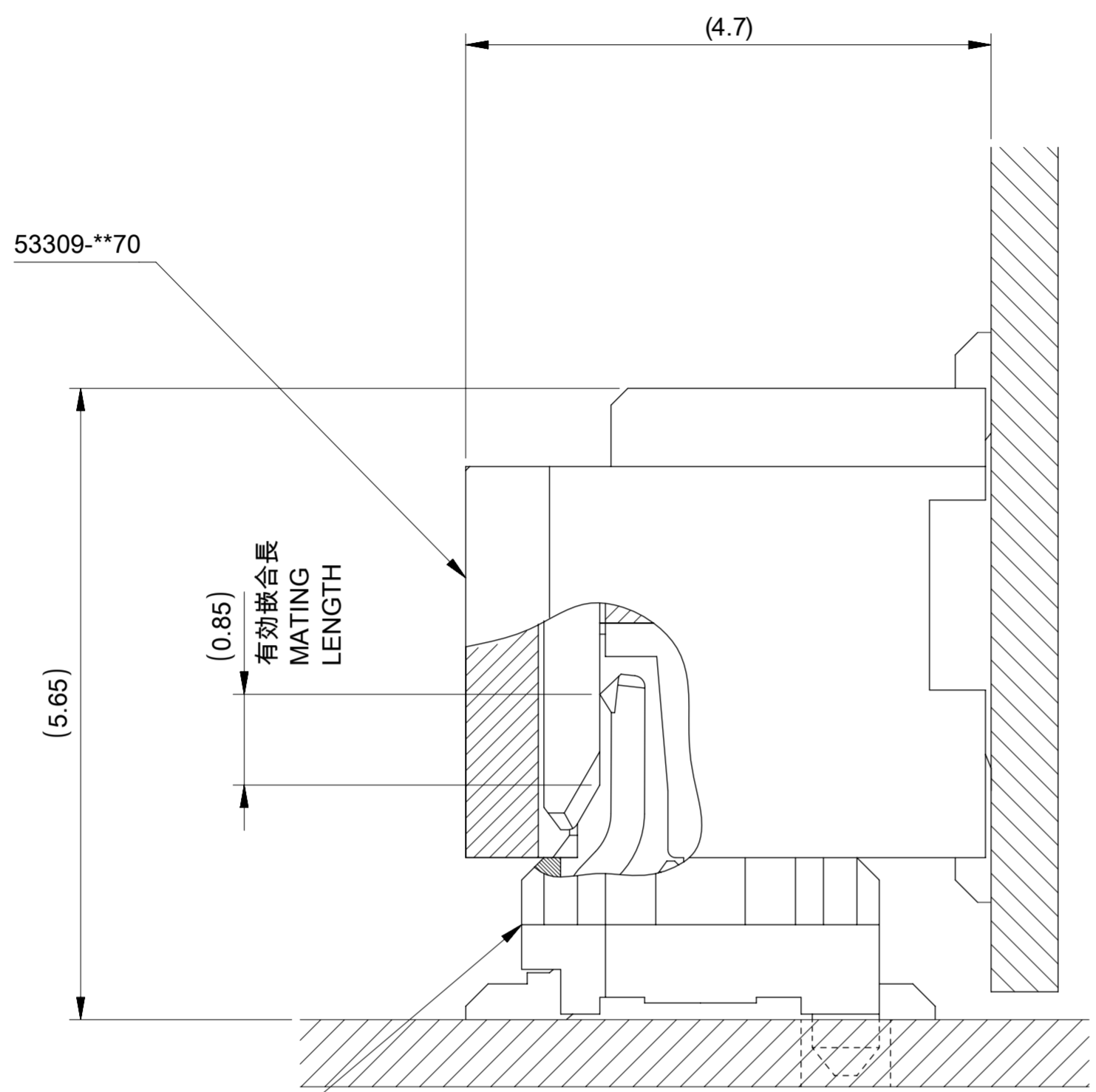


0.4	17.8	16.9	15.2	53309-4070	40
0.4	16.2	15.3	13.6	53309-3670	36
0.4	14.6	13.7	12.0	53309-3270	32
0.8	13.8	12.9	11.2	53309-3070	30
0.4	13.0	12.1	10.4	53309-2870	28
0.8	12.2	11.3	9.6	53309-2670	26
0.4	11.4	10.5	8.8	53309-2470	24
0.8	10.6	9.7	8.0	53309-2270	22
0.4	9.8	8.9	7.2	53309-2070	20
0.8	9.0	8.1	6.4	53309-1870	18
0.4	8.2	7.3	5.6	53309-1670	16
0.8	7.4	6.5	4.8	53309-1470	14
0.4	6.6	5.7	4.0	53309-1270	12
0.8	5.8	4.9	3.2	53309-1070	10
D	C	B	A	EMBOSSD TAPE PACKAGE ORDER NO	極数 CIRCUIT

THIS DRAWING CONTAINS INFORMATION THAT IS PROPRIETARY TO MOLEX ELECTRONIC TECHNOLOGIES, LLC AND SHOULD NOT BE USED WITHOUT WRITTEN PERMISSION

DIMENSION UNITS	SCALE	CURRENT REV DESC:																				
mm	10:1																					
GENERAL TOLERANCES (UNLESS SPECIFIED)																						
ANGULAR TOL	±																					
4 PLACES	±																					
3 PLACES	±																					
2 PLACES	±																					
1 PLACE	±																					
0 PLACES	±																					
DRAFT WHERE APPLICABLE MUST REMAIN WITHIN DIMENSIONS																						
<table border="0"> <tr> <td>EC NO: 750938</td> <td>2023/05/19</td> </tr> <tr> <td>DRWN: RAJAGN</td> <td>2023/05/25</td> </tr> <tr> <td>CHK'D: HSHIMOYAMA</td> <td>2023/05/25</td> </tr> <tr> <td>APPR: YNAITO</td> <td>2023/05/25</td> </tr> <tr> <td>INITIAL REVISION:</td> <td></td> </tr> <tr> <td>DRWN: YSATO06</td> <td>2017/03/23</td> </tr> <tr> <td>APPR: TKUSUHARA01</td> <td>2017/03/27</td> </tr> </table>			EC NO: 750938	2023/05/19	DRWN: RAJAGN	2023/05/25	CHK'D: HSHIMOYAMA	2023/05/25	APPR: YNAITO	2023/05/25	INITIAL REVISION:		DRWN: YSATO06	2017/03/23	APPR: TKUSUHARA01	2017/03/27						
EC NO: 750938	2023/05/19																					
DRWN: RAJAGN	2023/05/25																					
CHK'D: HSHIMOYAMA	2023/05/25																					
APPR: YNAITO	2023/05/25																					
INITIAL REVISION:																						
DRWN: YSATO06	2017/03/23																					
APPR: TKUSUHARA01	2017/03/27																					
<table border="0"> <tr> <td>THIRD ANGLE PROJECTION</td> <td>DRAWING</td> <td>SERIES</td> <td>MATERIAL NUMBER</td> <td>CUSTOMER</td> <td>SHEET NUMBER</td> </tr> <tr> <td></td> <td>A2-SIZE</td> <td>53309</td> <td>SEE CHART</td> <td></td> <td>1 OF 2</td> </tr> </table>		THIRD ANGLE PROJECTION	DRAWING	SERIES	MATERIAL NUMBER	CUSTOMER	SHEET NUMBER		A2-SIZE	53309	SEE CHART		1 OF 2	<table border="0"> <tr> <td>DOCUMENT NUMBER</td> <td>DOC TYPE</td> <td>DOC PART</td> <td>REVISION</td> </tr> <tr> <td>533091000</td> <td>PSD</td> <td>000</td> <td>C</td> </tr> </table>	DOCUMENT NUMBER	DOC TYPE	DOC PART	REVISION	533091000	PSD	000	C
THIRD ANGLE PROJECTION	DRAWING	SERIES	MATERIAL NUMBER	CUSTOMER	SHEET NUMBER																	
	A2-SIZE	53309	SEE CHART		1 OF 2																	
DOCUMENT NUMBER	DOC TYPE	DOC PART	REVISION																			
533091000	PSD	000	C																			

GENERAL TOLERANCES (UNLESS SPECIFIED)	
10 ^{UNDER}	±0.2
10 ^{OVER} 30 ^{UNDER}	±0.25
30 ^{OVER}	±0.3
ANGULAR±3°	
DRAFT WHERE APPLICABLE MUST REMAIN WITHIN DIMENSIONS	



NOTES :

1. 嵌合相手 : 52465シリーズ
MATE WITH : 52465 SERIES.
- △ ウェハーの ㄷ から隣接するピンの ㄷ 迄の位置を示す。
SHOW POSSITION FROM ㄷ OF WAFER TO ㄷ OF ADJACENT PINS.
3. 本製品は53309-**27 の鉛フリー品である。
THIS PRODUCT IS LEAD FREE OF 53309-**27.
4. 使用材料MATERIAL
ハウジングHOUSING : PPS GLASS FILLED, UL94V-0 (WHITE)
ターミナルTERMINAL : 燐青銅 PHOSPHOR BRONZE t=0.32
5. めっき仕様 PLATING
ターミナルTERMINAL : 錫めっき/ニッケル下地 TIN OVER NICKEL PLATED
6. テール平坦度は0.1mm MAX
TAIL COPLANALITY TO BE 0.1mm MAXIMUM.

嵌合相手 MATE WITH
52465-**70 (BOSSあり WITH BOSS)
52465-**71 (BOSS無し WITHOUT BOSS)

嵌合状態図(参考)
MATED DRAWING (REF.)

THIS DRAWING CONTAINS INFORMATION THAT IS PROPRIETARY TO MOLEX ELECTRONIC TECHNOLOGIES, LLC AND SHOULD NOT BE USED WITHOUT WRITTEN PERMISSION													
DIMENSION UNITS		SCALE		CURRENT REV DESC:									
mm		20:1		<p style="text-align: center;">molex</p> <p style="text-align: center;">0.8 MM PITCH B-TO-B CONN. PLUG (WITHOUT BOSS)</p> <p style="text-align: center;">PRODUCT CUSTOMER DRAWING</p>									
GENERAL TOLERANCES (UNLESS SPECIFIED)										EC NO: 750938		2023/05/19	
ANGULAR TOL ±										DRWN: RAJAGN		2023/05/25	
4 PLACES ±										CHK'D: HSHIMOYAMA		2023/05/25	
3 PLACES ±				APPR: YNAITO		2023/05/25							
2 PLACES ±				INITIAL REVISION:		2017/03/23							
1 PLACE ±				DRWN: YSATO06		2017/03/27							
0 PLACES ±				APPR: TKUSUHARA01		2017/03/27							
GENERAL TOLERANCES (UNLESS SPECIFIED)				THIRD ANGLE PROJECTION		DRAWING		SERIES					
10 ^{UNDER} ±0.2				DRAFT WHERE APPLICABLE MUST REMAIN WITHIN DIMENSIONS		A2-SIZE		53309					
10 ^{OVER} 30 ^{UNDER} ±0.25				DRAFT WHERE APPLICABLE MUST REMAIN WITHIN DIMENSIONS		DRAWING		SERIES					
30 ^{OVER} ±0.3				DRAFT WHERE APPLICABLE MUST REMAIN WITHIN DIMENSIONS		DRAWING		SERIES					
ANGULAR±3°				DRAFT WHERE APPLICABLE MUST REMAIN WITHIN DIMENSIONS		DRAWING		SERIES					
DRAFT WHERE APPLICABLE MUST REMAIN WITHIN DIMENSIONS				DRAFT WHERE APPLICABLE MUST REMAIN WITHIN DIMENSIONS		DRAWING		SERIES					
DOCUMENT STATUS		P1		RELEASE DATE		2023/05/25		11:10:19					
533091000		PSD		000		C		2 OF 2					