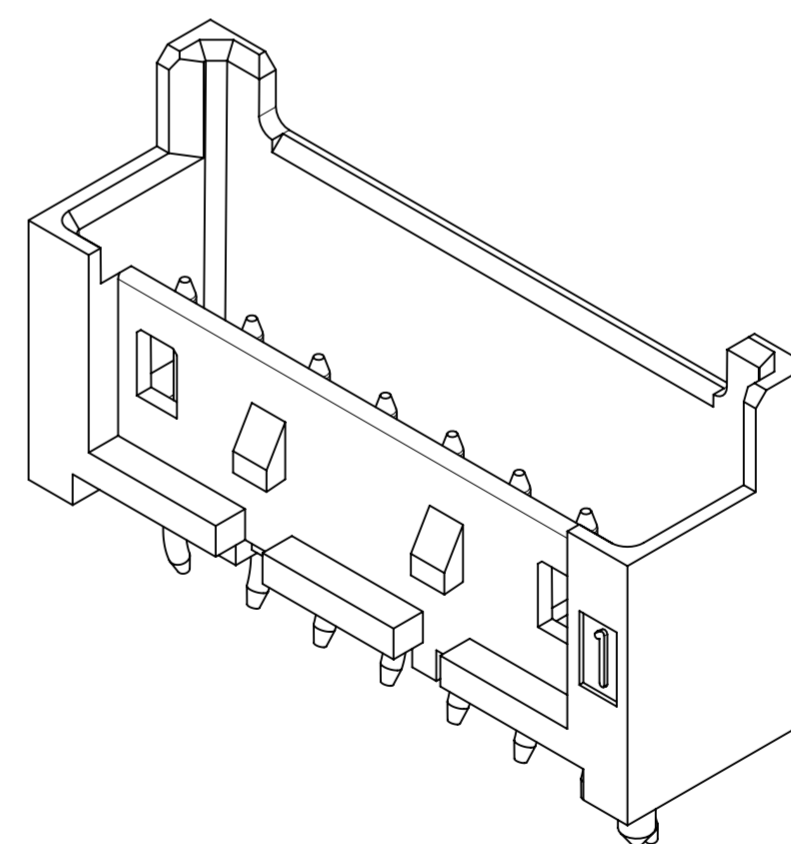
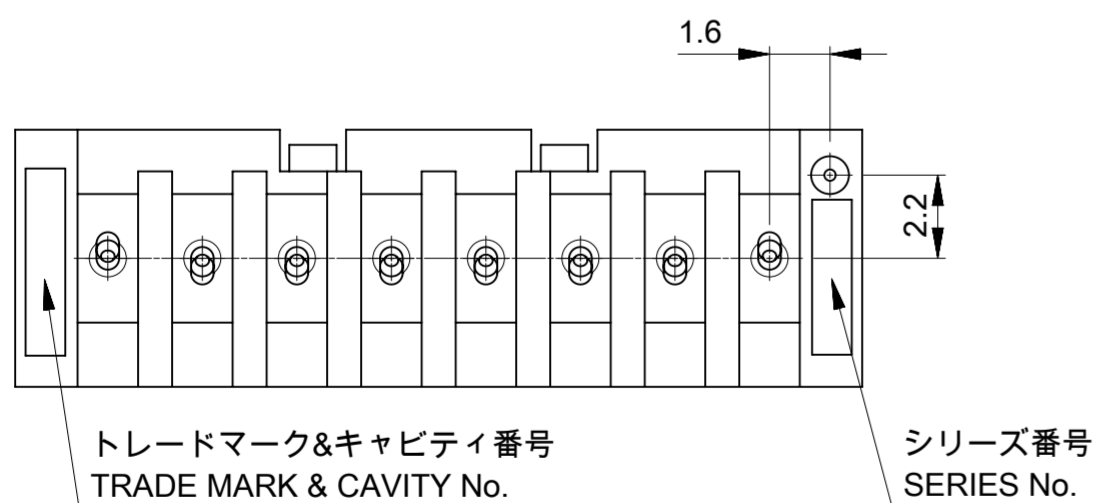
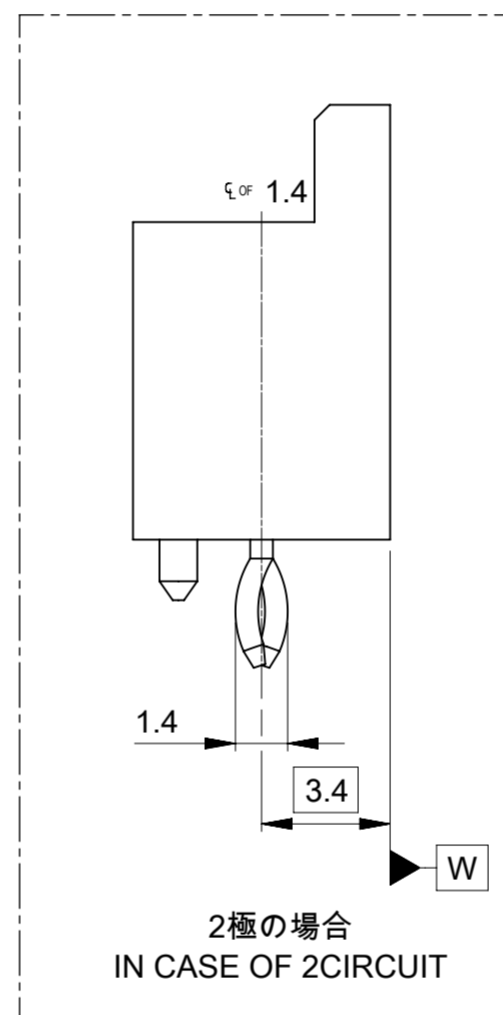
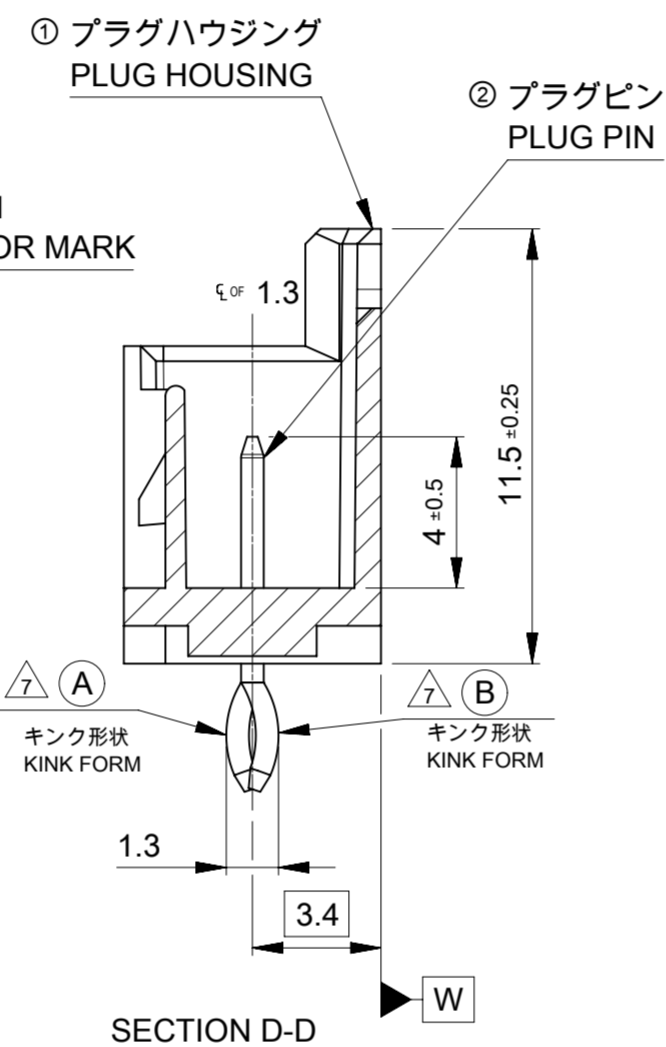
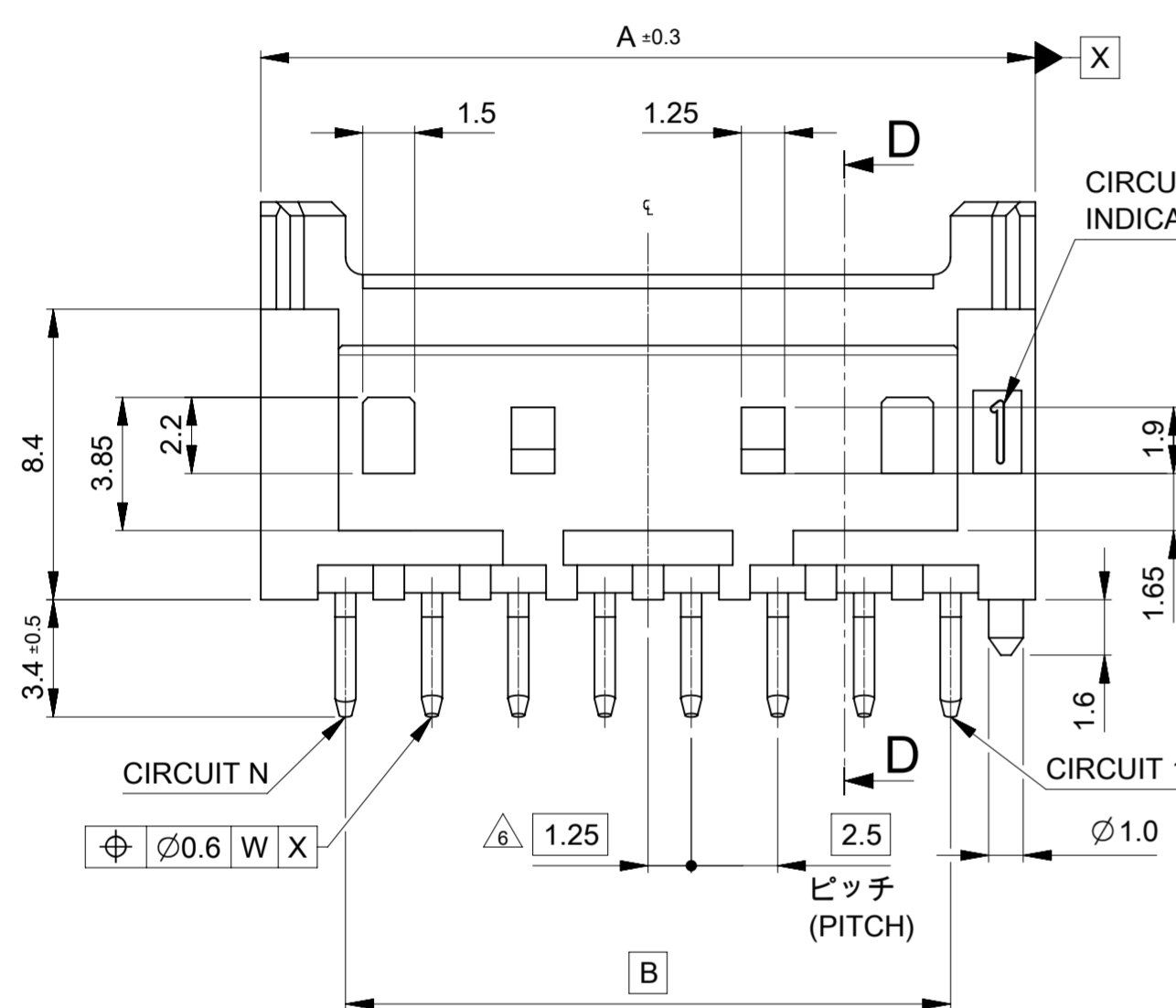
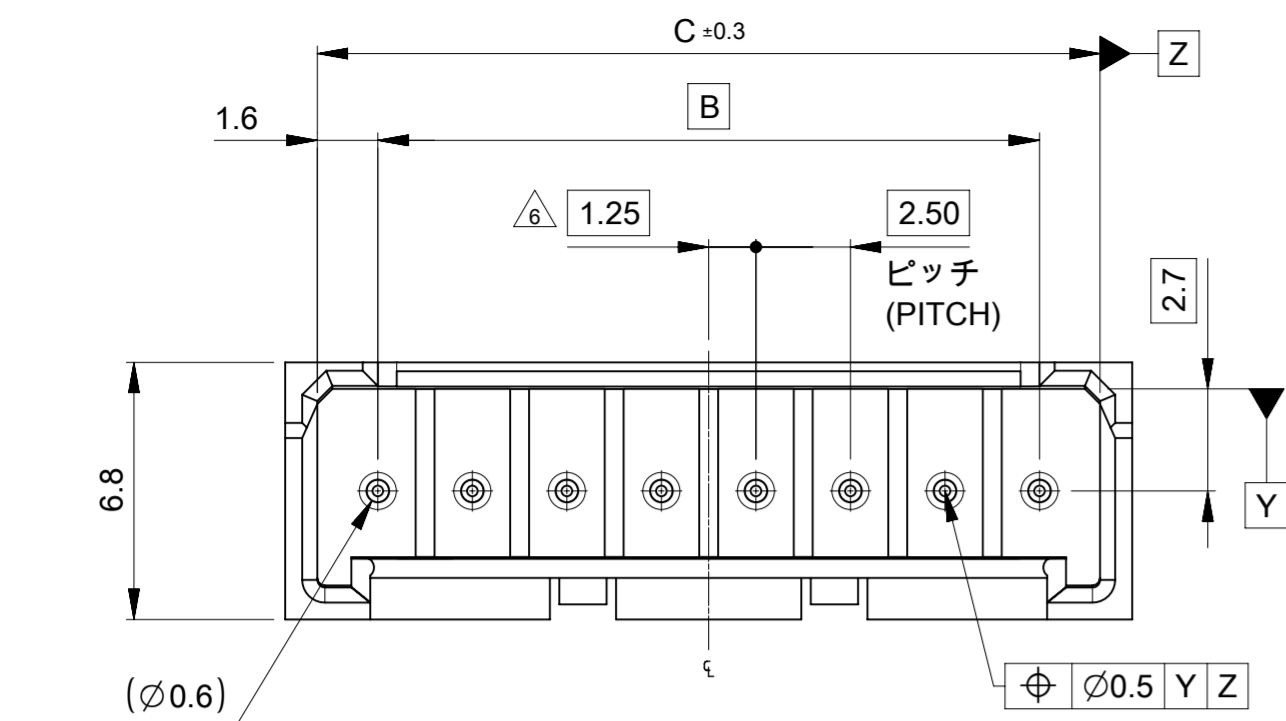


勝特力電材超市-龍山店 886-3-5773766
 勝特力電材超市-光復店 886-3-5729570
 勝特力電子(上海) 86-21-34970699
 勝特力電子(深圳) 86-755-83298787
<http://www.100y.com.tw>

NOTES

- 材料及仕上げ(めっき仕様): TABLE 1参照
MATERIAL AND FINISHES: SEE TABLE 1
- 製品仕様書: 511630000-PS 000
PRODUCT SPECIFICATION: 511630000-PS 000
- 梱包仕様書: 533759200-SPK 200
PACKAGING SPECIFICATION: 533759200-SPK 200
- 嵌合相手: 51163 シリーズ
MATES WITH: 51163 SERIES
- アプリケーション仕様書(コネクタ取扱い説明書): 2166940000-AS PS 000
APPLICATION SPECIFICATION(CONNECTOR MANUAL): 2166940000-AS PS 000
- 偶数極に適合
APPLY FOR EVEN CIRCUIT
- 3極以上のキンク形状は両サイドが (A)、その他の極はすべて (B) 形状とする
KINK FORM
MORE THAN 2 CIRCUIT :
PINS AT BOTH ENDS ARE KINK FORMED TO (A).
THE OTHER PINS ARE KINK FORMED TO (B).

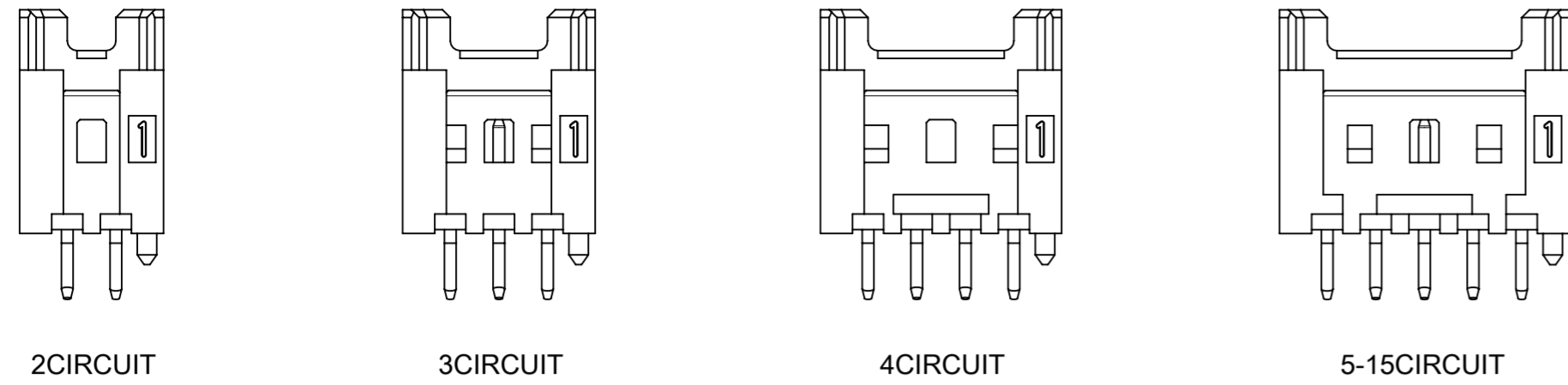


			HOUSING COLOR	
			NATURAL(WHITE)	
38.2	35	39.9	533751510	15
35.7	32.5	37.4	533751410	14
33.2	30	34.9	533751310	13
30.7	27.5	32.4	533751210	12
28.2	25	29.9	533751110	11
25.7	22.5	27.4	533751010	10
23.2	20	24.9	533750910	9
20.7	17.5	22.4	533750810	8
18.2	15	19.9	533750710	7
15.7	12.5	17.4	533750610	6
13.2	10	14.9	533750510	5
10.7	7.5	12.4	533750410	4
8.2	5	9.9	533750310	3
5.7	2.5	7.4	533750210	2
C	B	A	発注番号 ORDER No. 梱包形態: ポリ袋 PACKAGE: POLY BAG	極数 CIRCUIT SIZE

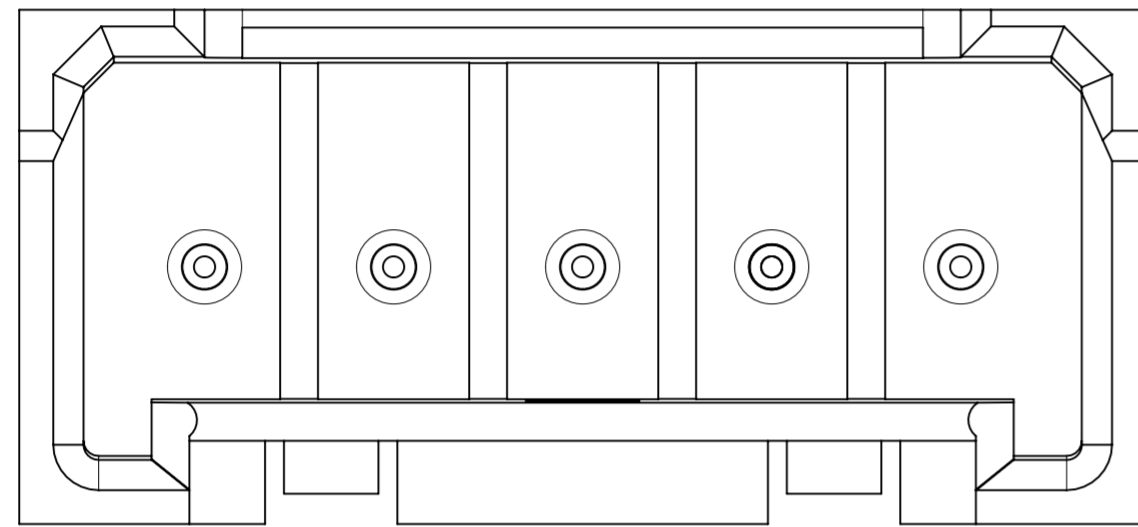
TABLE 1

部品 PART	材料 MATERIAL			
① プラグハウジング PLUG HOUSING	ポリエステル ガラス含有 UL94 V-0 色: ナチュラル(白) POLYESTER(PBT), GLASS FILLED, UL94 V-0, COLOR: NATURAL(WHITE)			
② プラグピン PLUG PIN	りん青銅 PHOSPHOR BRONZE			
	錫めっき: 1.0MICRO METER MINIMUM. TIN PLATING: 1.0MICRO METER MINIMUM.			
	銅めっき(下地めっき): 0.5MICRO METER MINIMUM COPPER PLATING(UNDER PLATING): 0.5MICRO METER MINIMUM.			
DOCUMENT STATUS	P1	RELEASE DATE	2021/04/06	06:45:31

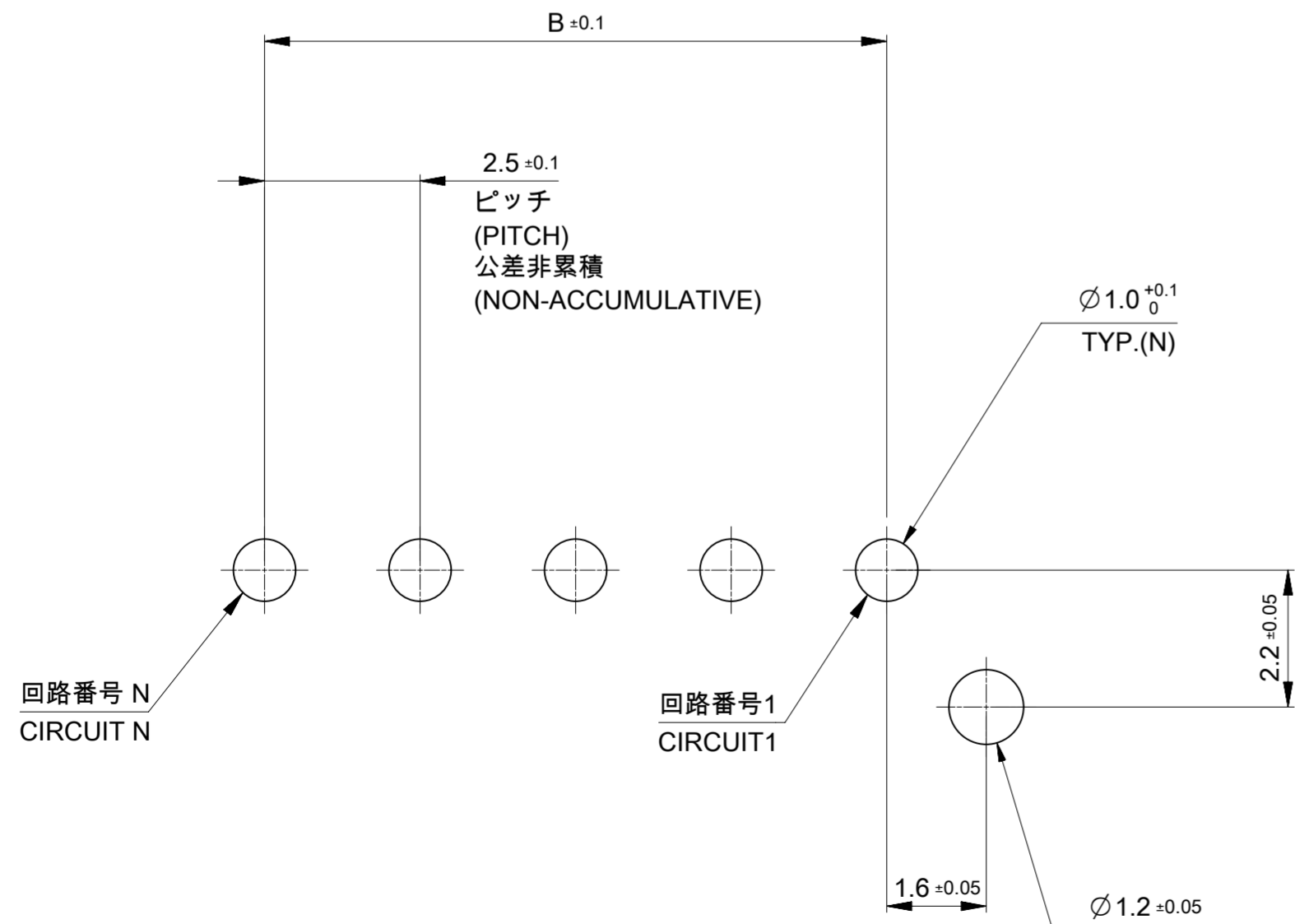
THIS DRAWING CONTAINS INFORMATION THAT IS PROPRIETARY TO MOLEX ELECTRONIC TECHNOLOGIES, LLC AND SHOULD NOT BE USED WITHOUT WRITTEN PERMISSION									
DIMENSION UNITS		SCALE		CURRENT REV DESC:					
mm		NTS							
GENERAL TOLERANCES (UNLESS SPECIFIED)									
ANGULAR TOL ± 3.0°				EC NO: 659548					
4 PLACES ± 0.2		DRWN: RWATANABE01		2021/03/30					
3 PLACES ± 0.2		CHK'D: AIDA		2021/04/06					
2 PLACES ± 0.2		APPR: SAKIYAMA		2021/04/06					
1 PLACE ± 0.2		INITIAL REVISION:							
0 PLACES ± 0.2		DRWN: RWATANABE01		2019/05/24					
		APPR: SAKIYAMA		2020/09/28					
DRAFT WHERE APPLICABLE MUST REMAIN WITHIN DIMENSIONS				THIRD ANGLE PROJECTION		DRAWING		SERIES	
		A2-SIZE		53375		MATERIAL NUMBER		CUSTOMER	
						533750000-SD		GENERAL	
						DOCUMENT NUMBER		DOC TYPE DOC PART REVISION	
						PSD		000 C	
						SHEET NUMBER		1 OF 2	



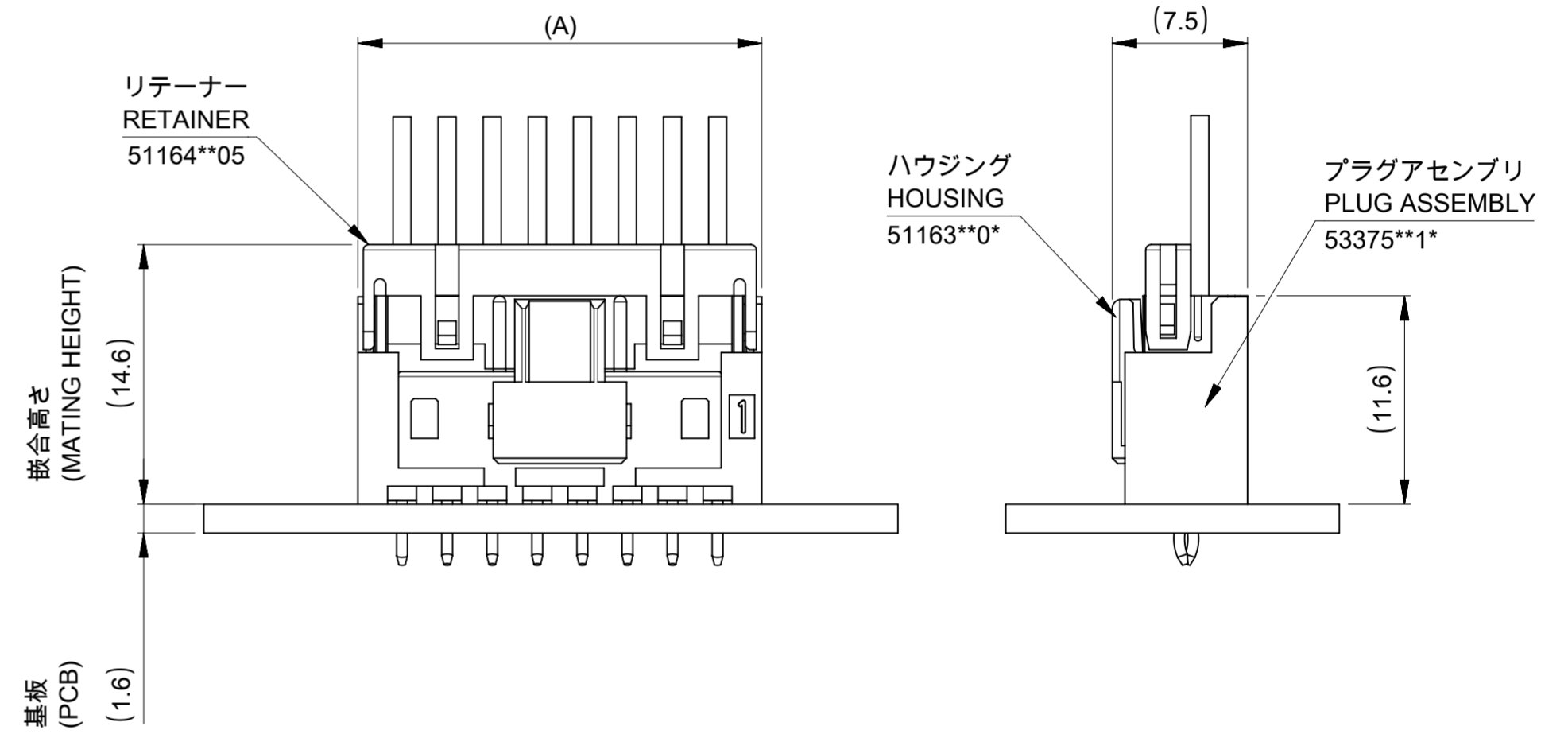
ロック形状図
LOCK CONFIGURATION



製品レイアウト
PRODUCT LAYOUT



基板取付穴推奨寸法(マウント面)
RECOMMENDED PCB HOLE DIMENSION
(MOUNTING SIDE), (t=1.6)



嵌合図
MATED CONNECTORS

THIS DRAWING CONTAINS INFORMATION THAT IS PROPRIETARY TO MOLEX ELECTRONIC TECHNOLOGIES, LLC AND SHOULD NOT BE USED WITHOUT WRITTEN PERMISSION									
DIMENSION UNITS		SCALE		CURRENT REV DESC:					
mm		NTS		<p>molex</p> <p>MINI-LOCK 2.5 W/B SINGLE ROW VERTICAL PLUG ASSEMBLY</p> <p>PRODUCT CUSTOMER DRAWING</p> <p>DOCUMENT NUMBER: 533750000-SD DOC TYPE: PSD DOC PART: 000 REVISION: C</p> <p>MATERIAL NUMBER: GENERAL CUSTOMER: GENERAL SHEET NUMBER: 2 OF 2</p>					
GENERAL TOLERANCES (UNLESS SPECIFIED)									
ANGULAR TOL ± 3.0°									
4 PLACES		± 0.2							
3 PLACES		± 0.2							
2 PLACES		± 0.2							
1 PLACE		± 0.2		EC NO: 659548		DRWN: RWATANABE01		2021/03/30	
0 PLACES		± 0.2		CHK'D: AIDA		2021/04/06		2021/04/06	
DRAFT WHERE APPLICABLE MUST REMAIN WITHIN DIMENSIONS				THIRD ANGLE PROJECTION		DRAWING		SERIES	
				A2-SIZE		53375			



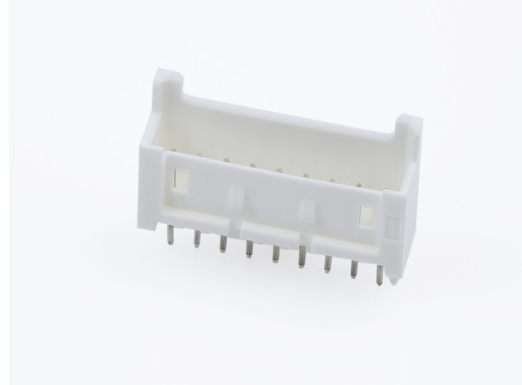
产品编号：[533750910](#)

Product Description：2.50mm Pitch, Mini-Lock PCB Header, Single Row, Vertical, Through Hole with Kinked Pins, Tin Plating, Positive Lock, 9 Circuits, Bag, 3.40mm PC Tail Length

系列号：53375

状态：Active

Product Category：PCB Headers and Receptacles



文件和资源

图纸

[图纸 533750910_sd.pdf](#)

[包装设计图 SPK-53375-001-001.pdf](#)

[包装设计图 SPK-53375-001-002.pdf](#)

3D 模型和设计文件

[3D模型 533750910_stp.zip](#)

规格

[包装规格 533759200-SPK-200.pdf](#)


[产品规格 PS-51103-005-001.pdf](#)

[产品规格 511630000-PS-000.pdf](#)

[产品规格 511631000-PS-000.pdf](#)

产物环境合规

合规

GADSL/IMDS	Compliant with Exemption 44
China RoHS	
EU ELV	Not Relevant
Low-Halogen Status	Not Low-Halogen per IEC 61249-2-21
REACH SVHC	Not Contained per D(2023)3788-DC (14 Jun 2023)
EU RoHS	Compliant per EU 2015/863

[多部分产品合规性声明](#)

- Eu RoHS

- REACH SVHC

- Low-Halogen

多部分行业合规性文件

- IPC 1752A Class C

- IPC 1752A Class D

- Molex Product Compliance Declaration

- IEC-62474

- chemSHERPA (xml)

欧盟 RoHS 合格证书

产品详情

常规

状态	活动
类别	PCB Headers and Receptacles
系列	53375
说明	2.50mm Pitch, Mini-Lock PCB Header, Single Row, Vertical, Through Hole with Kinked Pins, Tin Plating, Positive Lock, 9 Circuits, Bag, 3.40mm PC Tail Length
应用	Signal, Wire-to-Board
元件类型	PCB Header
产品系列	Mini-Lock Wire-to-Board Connector System
产品名称	Mini-Lock
UPC	800753437241

机构

CSA	LR19980
UL	E29179

电气

每触点最大电流	3.0A
电压 - 最大	250V AC (RMS) /DC

物理

断开	否
----	---

回路数 (已载入)	9
电路数 (最多)	9
颜色-树脂	Natural
耐用性(插拔次数) - 最多次数	30
先接后断	否
阻燃性	94V-0
符合灼热丝规范	否
可配插产品指南	否
插接极性	无
锁定插接部位	是
材料 - 接合部位电镀	Tin
材料 - 终端电镀	Tin
材料 - 树脂	Polyester
净重	1011.000/mg
行数	1
方向	垂直
包装形式	Bag
PC 焊脚长度	3.40mm
PCB 定位器	是
PCB 保持力	是
推荐的 PCB 厚度	1.60mm
间距 - 插配接口	2.50mm
有极性的插配件	是
PCB 极性	是
有护墙的	Fully
可堆叠的	否
运行温度范围	-55° to +105° C
终端界面类型	Through Hole - Kinked Pin

可配插/可连接使用的产品

可配插部件

描述	产品编号
Mini-Lock Single Row Receptacle Housings	<u>51163</u>

