



产品编号 : 534260810

Product Description : 2.50mm Pitch, Mini-Lock PCB Header, Single Row, Right-Angle, Through Hole with Kinked Pins, Tin Plating, Positive Lock, 8 Circuits, Tray, 3.40mm PC Tail Length, Natural

系列号 : 53426

状态 : Active

Product Category : PCB Headers and Receptacles

文件和资源

图纸

图纸 534260810_sd.pdf

3D 模型和设计文件

2D 图纸 DXF 534260810.dxf

2D 图纸 DXF PDF 534260810.pdf

3D模型 534260810_stp.zip

规格

包装规格 SPK-53426-002-001.pdf


产品规格 PS-51103-005-001.pdf

产品规格 511630000-PS-000.pdf

产品规格 511631000-PS-000.pdf

产物环境合规

合规

GADSL/IMDS	Compliant with Exemption 44; 34
China RoHS	
EU ELV	Not Relevant
Low-Halogen Status	Not Low-Halogen per IEC 61249-2-21
REACH SVHC	Not Contained per D(2023)8585-DC (23 Jan 2024)
EU RoHS	Compliant per EU 2015/863

多部分产品合规性声明

- Eu RoHS
- REACH SVHC
- Low-Halogen

- IPC 1752A Class C
- IPC 1752A Class D
- Molex Product Compliance Declaration
- IEC-62474
- chemSHERPA (xml)

欧盟 RoHS 合格证书

产品详情

常规

状态	活动
类别	PCB Headers and Receptacles
系列	53426
说明	2.50mm Pitch, Mini-Lock PCB Header, Single Row, Right-Angle, Through Hole with Kinked Pins, Tin Plating, Positive Lock, 8 Circuits, Tray, 3.40mm PC Tail Length, Natural
应用	Signal, Wire-to-Board
元件类型	PCB Header
产品系列	Mini-Lock Wire-to-Board Connector System
产品名称	Mini-Lock
UPC	800754357203

机构

CSA	LR19980
UL	E29179

电气

每触点最大电流	3.0A
电压 - 最大	250V AC (RMS)/DC

物理

断开	否
回路数 (已载入)	8
电路数 (最多)	8
颜色-树脂	Natural

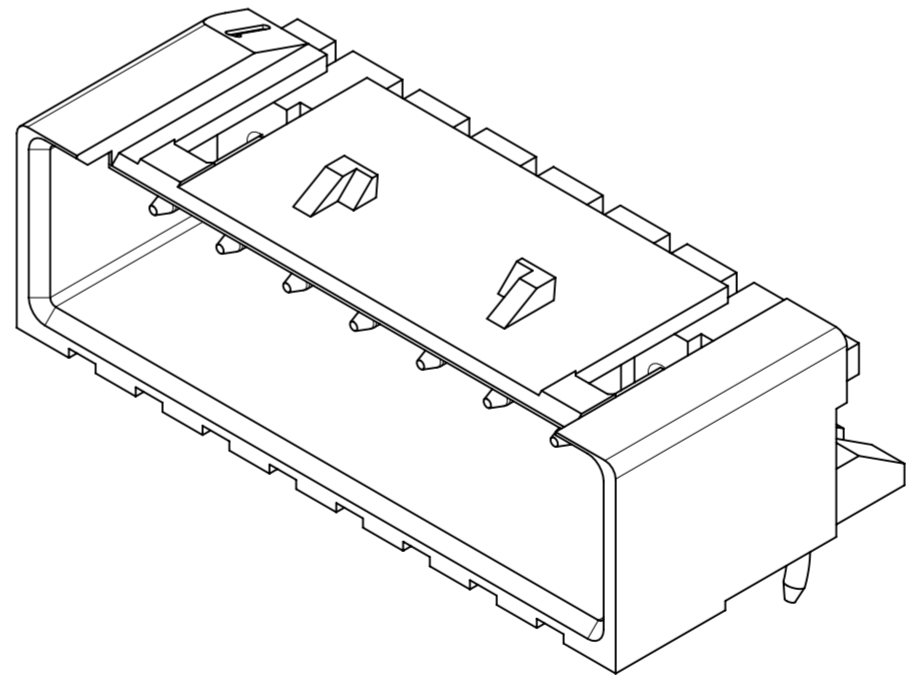
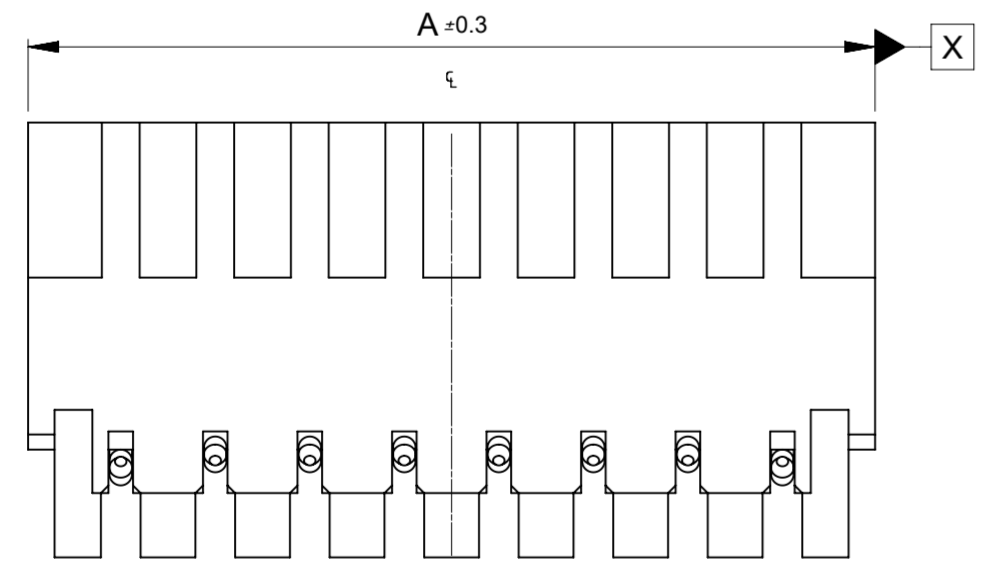
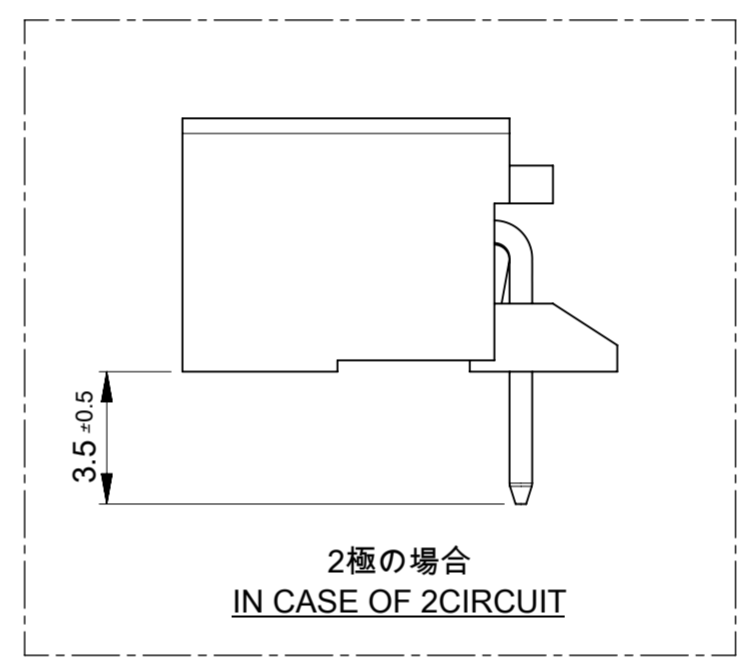
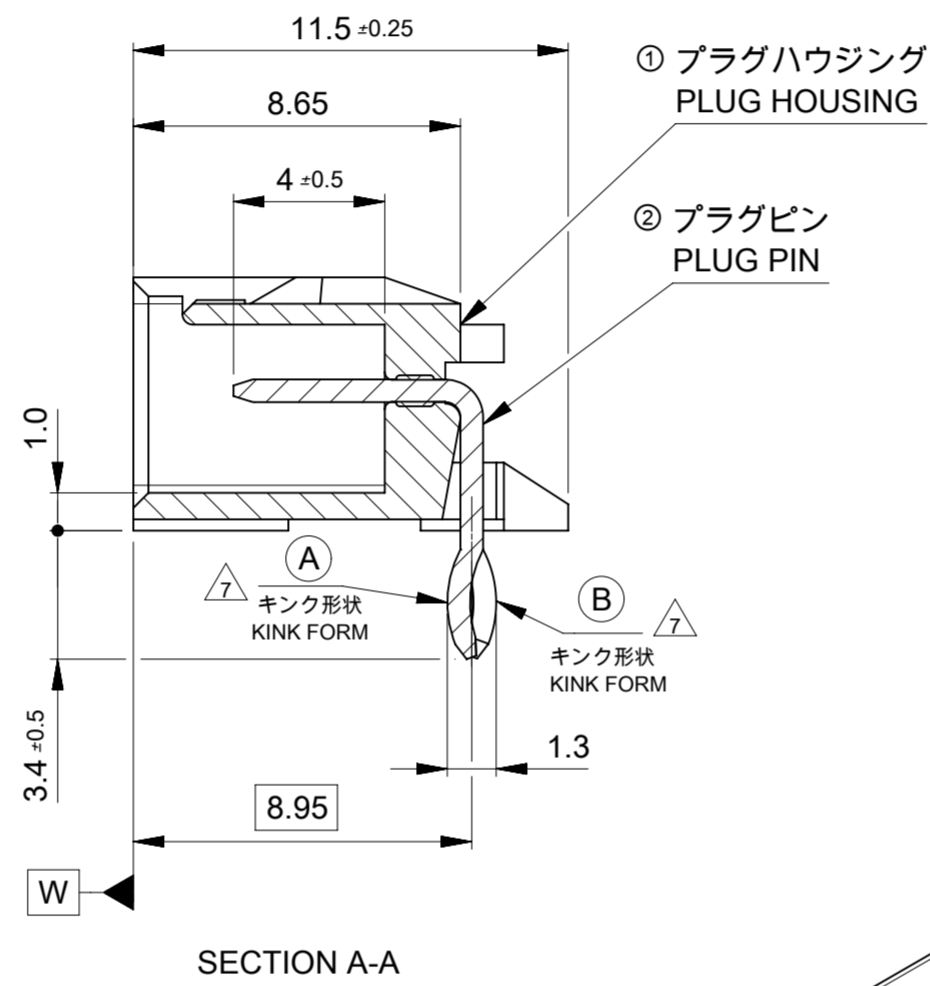
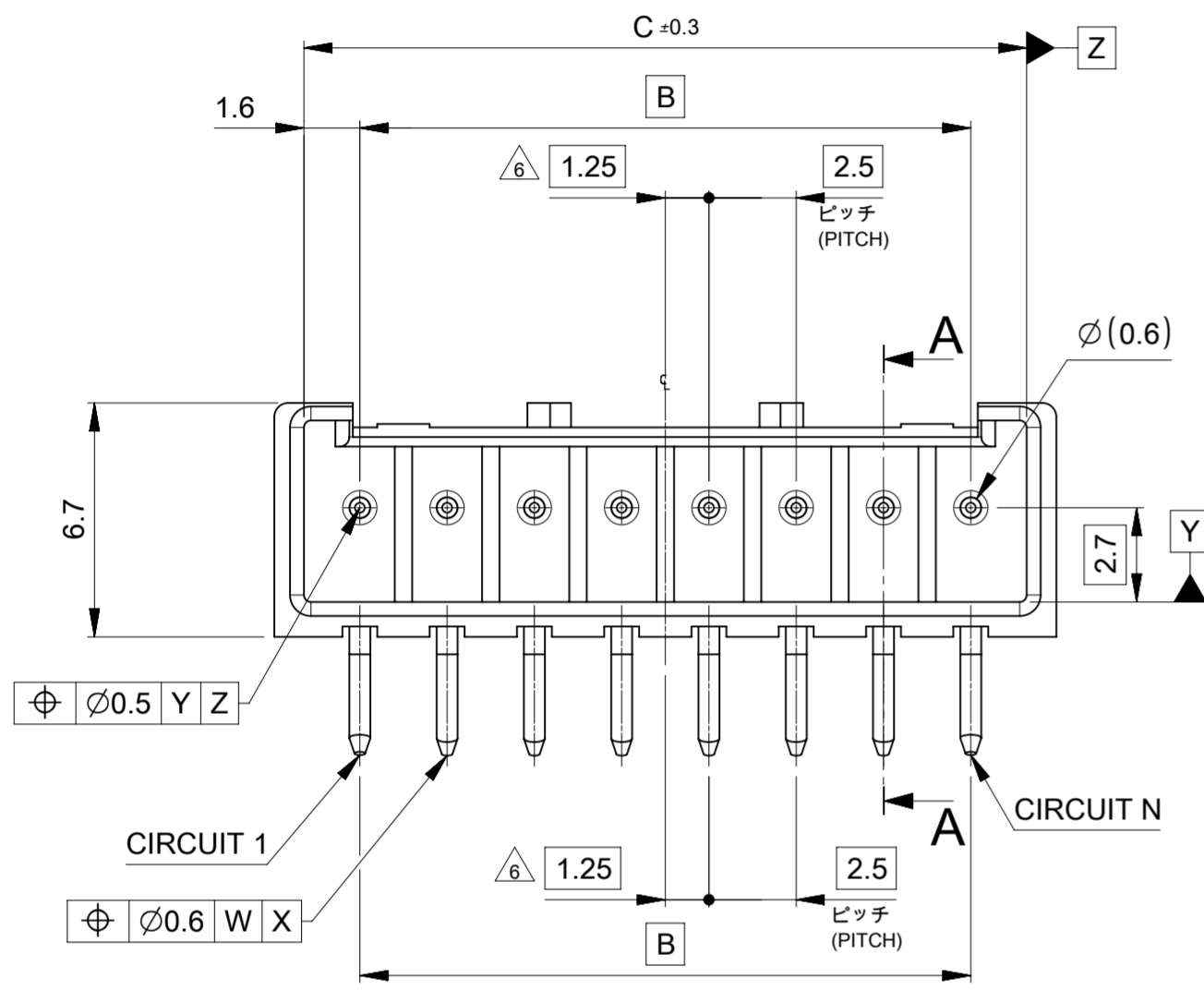
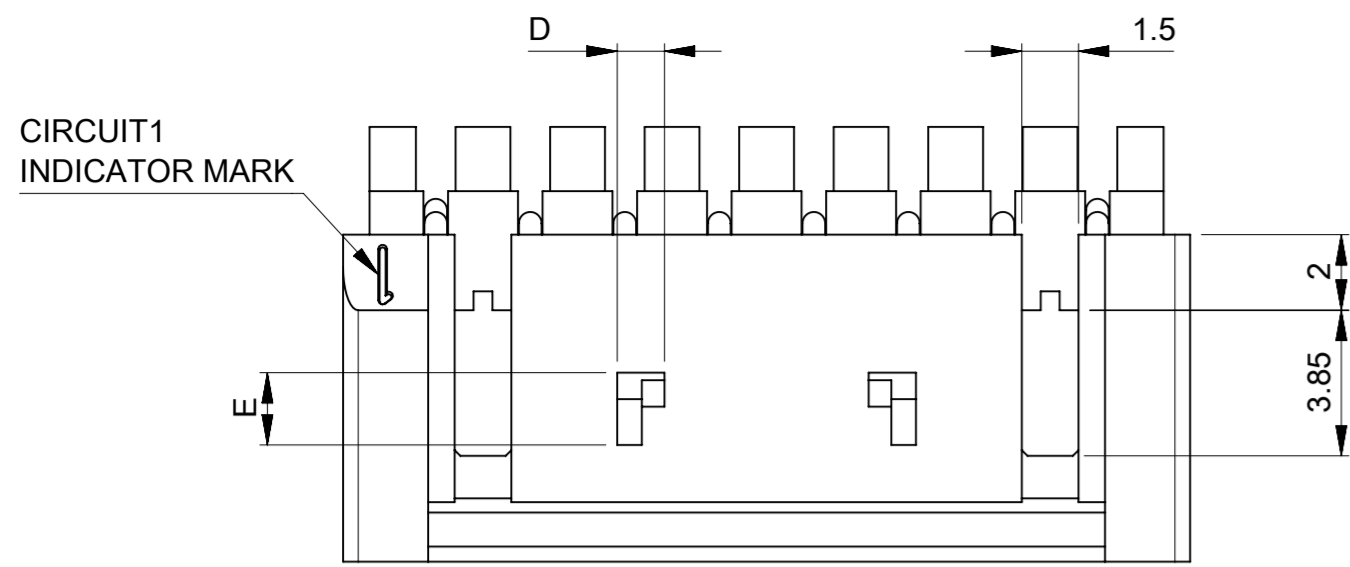
耐用性(插拔次数) - 最多次数	30
阻燃性	94V-0
符合灼热丝规范	否
插接极性	无
锁定插接部位	是
材料 - 金属	Phosphor Bronze
材料 - 接合部位电镀	Tin
材料 - 终端电镀	Tin
材料 - 树脂	Polyester
净重	1071.400/mg
行数	1
方向	Right Angle
包装形式	Tray
PC 焊脚长度	3.40mm
PCB 定位器	否
PCB 保持力	是
推荐的 PCB 厚度	1.60mm
间距 - 插配接口	2.50mm
有极性的插配件	是
PCB 极性	否
有护墙的	Fully
可堆叠的	否
运行温度范围	-55° to +105° C
终端界面类型	Through Hole - Kinked Pin

可配插/可连接使用的产品

可配插部件

描述	产品编号
Mini-Lock Single Row Receptacle Housings	<u>51163</u>
Mini-Lock-to-Mini-Lock Off-the-Shelf (OTS) Cable Assemblies	<u>15137</u>

This document was generated on Jun 03, 2024



NOTES

- ① 材料及び仕上げ(めっき仕様) : TABLE 1参照
MATERIAL AND FINISHES : SEE TABLE 1
- 2. 製品仕様書 : 511630000-PS 000
PRODUCT SPECIFICATION:511630000-PS 000
- 3. 梱包仕様書 : 533759200-SPK 200
PACKAGING SPECIFICATION: 533759200-SPK 200
- 4. 嵌合相手 : 51163 シリーズ
MATES WITH:51163 SERIES
- 5. アプリケーション仕様書(コネクタ取扱い説明書) : 2166940000-AS PS 000
APPLICATION SPECIFICATION(CONNECTOR MANUAL) : 2166940000-AS PS 000
- ⑥ 偶数極に適合
APPLY FOR EVEN CIRCUIT
- ⑦ 2極はキルクを付加しない
3極以上のキルク形状は両サイドが (B)、その他の極は全て (A) 形状とする
KINK FORM
2 CIRCUIT:PINS TO BE NOT KINKED.
MORE THAN 2 CIRCUIT:PINS AT BOTH ENDS ARE KINK FORMED TO (B),
THE OTHER PINS ARE KINK FORMED TO (A).

TABLE 1

		HOUSING COLOR				
		NATURAL(WHITE)				
1.9	1.25	38.2	35	39.9	534261510	15
		35.7	32.5	37.4	534261410	14
		33.2	30	34.9	534261310	13
		30.7	27.5	32.4	534261210	12
		28.2	25	29.9	534261110	11
		25.7	22.5	27.4	534261010	10
		23.2	20	24.9	534260910	9
		20.7	17.5	22.4	534260810	8
		18.2	15	19.9	534260710	7
		15.7	12.5	17.4	534260610	6
		13.2	10	14.9	534260510	5
		10.7	7.5	12.4	534260410	4
1	8.2	5	9.9	534260310	3	
-	-	5.7	2.5	7.4	534260210	2
E	D	C	B	A	発注番号 ORDER No.	極数 CIRCUIT SIZE
					梱包形態:トレイ PACKAGE:TRAY	

部品 PART	材料 MATERIAL
① プラグハウジング PLUG HOUSING	ポリエステル ガラス含有 UL94 V-0 色 : ナチュラル(白) POLYESTER(PBT),GLASS FILLED,UL94 V-0,COLOR:NATURAL(WHITE)
② プラグピン PLUG PIN	りん青銅 PHOSPHOR BRONZE
	錫めっき : 1.0MICRO METER MINIMUM. MATTE TIN PLATING : 1.0MICRO METER MINIMUM.
	銅めっき(下地めっき):0.5MICRO METER MINIMUM COPPER PLATING(UNDER PLATING):0.5MICRO METER MINIMUM.

THIS DRAWING CONTAINS INFORMATION THAT IS PROPRIETARY TO MOLEX ELECTRONIC TECHNOLOGIES, LLC AND SHOULD NOT BE USED WITHOUT WRITTEN PERMISSION

DIMENSION UNITS	SCALE	CURRENT REV DESC:
mm	NTS	
GENERAL TOLERANCES (UNLESS SPECIFIED)		
ANGULAR TOL	± 3.0°	
4 PLACES	± 0.2	EC NO: 650566
3 PLACES	± 0.2	DRWN: RWATANABE01 2020/12/03
2 PLACES	± 0.2	CHK'D: AIDA 2020/12/18
1 PLACE	± 0.2	APPR: SAKIYAMA 2020/12/18
0 PLACES	± 0.2	INITIAL REVISION:
DRAFT WHERE APPLICABLE MUST REMAIN WITHIN DIMENSIONS		
THIRD ANGLE PROJECTION	DRAWING	SERIES
	A2-SIZE	53426

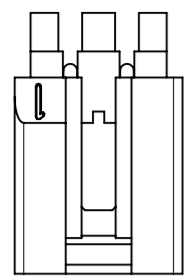
molex

MINI-LOCK 2.5 W/B
SINGLE ROW RIGHT ANGLE PLUG ASSEMBLY

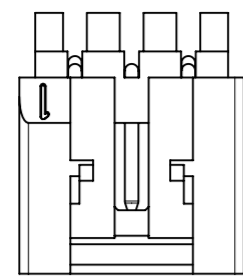
PRODUCT CUSTOMER DRAWING

DOCUMENT NUMBER	DOC TYPE	DOC PART	REVISION
534260000-SD	PSD	000	B

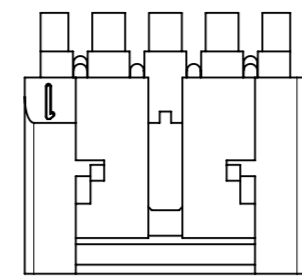
MATERIAL NUMBER	CUSTOMER	SHEET NUMBER
	GENERAL	1 OF 2



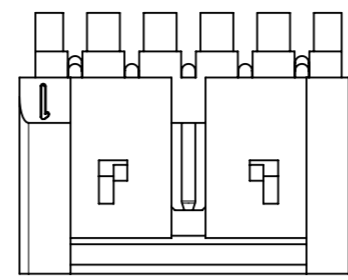
2CIRCUIT



3CIRCUIT

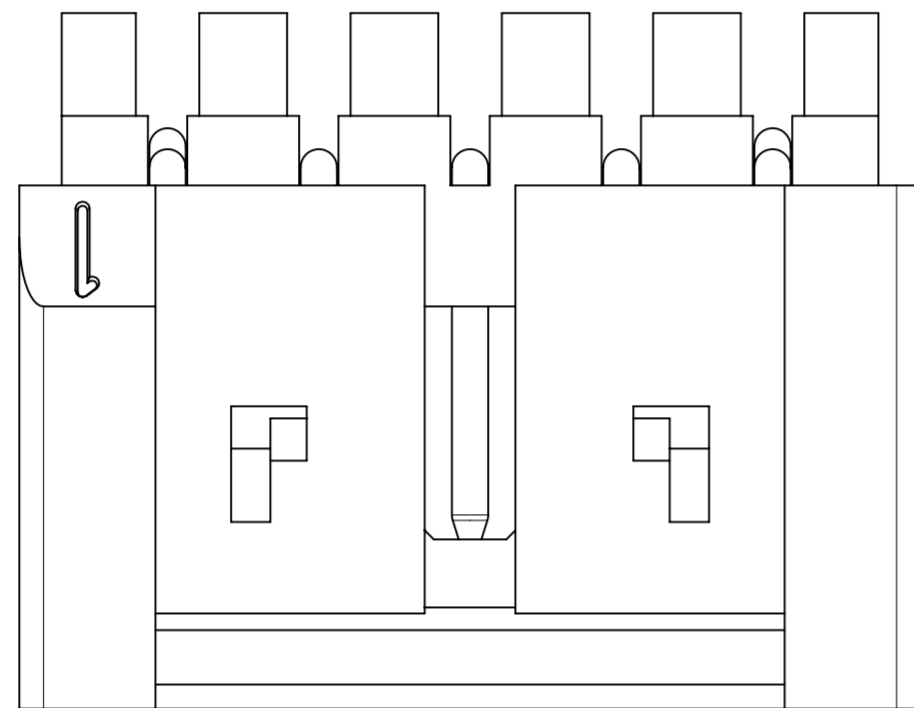


4CIRCUIT

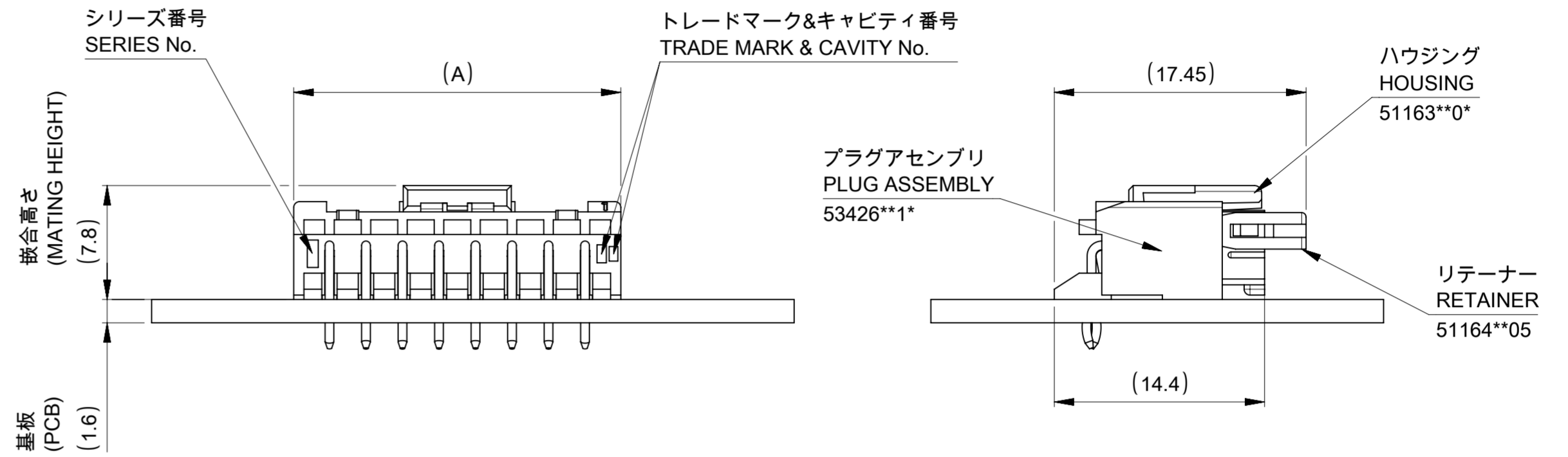


5~15CIRCUIT

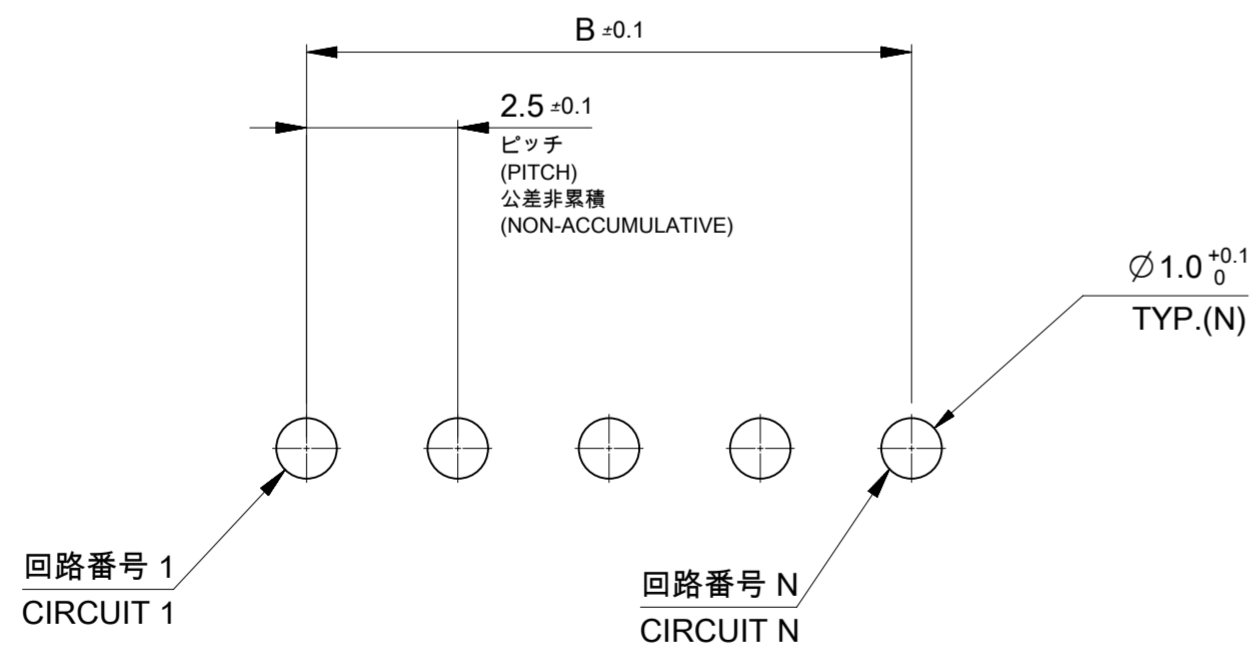
ロック形状図
LOCK CONFIGURATION



製品レイアウト
PRODUCT LAYOUT



嵌合図
MATED CONNECTORS



基板取付穴推奨寸法(マウント面)
RECOMMENDED PCB HOLE DIMENSION
(MOUNTING SIDE), (t=1.6)

THIS DRAWING CONTAINS INFORMATION THAT IS PROPRIETARY TO MOLEX ELECTRONIC TECHNOLOGIES, LLC AND SHOULD NOT BE USED WITHOUT WRITTEN PERMISSION									
DIMENSION UNITS	SCALE	CURRENT REV DESC:							
mm	NTS								
GENERAL TOLERANCES (UNLESS SPECIFIED)					MINI-LOCK 2.5 W/B SINGLE ROW RIGHT ANGLE PLUG ASSEMBLY				
ANGULAR TOL	± 3.0°	EC NO: 650566			PRODUCT CUSTOMER DRAWING				
4 PLACES	± 0.2	DRWN: RWATANABE01	2020/12/03	DOCUMENT NUMBER: 534260000-SD DOC TYPE: PSD DOC PART: 000 REVISION: B					
3 PLACES	± 0.2	CHK'D: AIDA	2020/12/18						
2 PLACES	± 0.2	APPR: SAKIYAMA	2020/12/18	MATERIAL NUMBER: GENERAL CUSTOMER: GENERAL SHEET NUMBER: 2 OF 2					
1 PLACE	± 0.2	INITIAL REVISION:							
0 PLACES	± 0.2	DRWN: RWATANABE01	2019/09/19	SERIES: 53426					
DRAFT WHERE APPLICABLE MUST REMAIN WITHIN DIMENSIONS		APPR: SAKIYAMA	2020/09/28						
THIRD ANGLE PROJECTION		DRAWING	SERIES	MATERIAL NUMBER		CUSTOMER		SHEET NUMBER	
		A2-SIZE	53426	GENERAL		GENERAL		2 OF 2	