



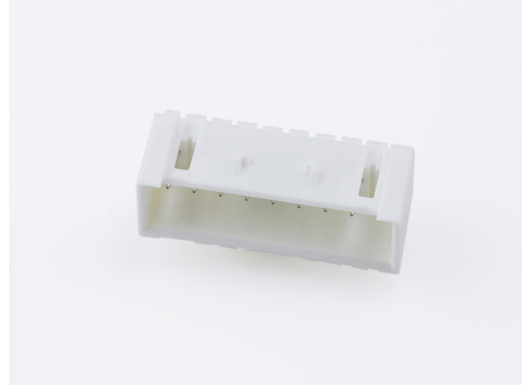
产品编号：[534260910](#)

Product Description：2.50mm Pitch, Mini-Lock PCB Header, Single Row, Right-Angle, Through Hole with Kinked Pins, Tin Plating, Positive Lock, 9 Circuits, Tray, 3.40mm PC Tail Length, Natural

系列号：53426

状态：Active

Product Category：PCB Headers and Receptacles



文件和资源

图纸

[图纸 534260910_sd.pdf](#)

3D 模型和设计文件

[2D 图纸 DXF 534260910.dxf](#)

[2D 图纸 DXF PDF 534260910.pdf](#)

[3D模型 534260910_stp.zip](#)

规格

[包装规格 SPK-53426-002-001.pdf](#)


[产品规格 PS-51103-005-001.pdf](#)

[产品规格 511630000-PS-000.pdf](#)

[产品规格 511631000-PS-000.pdf](#)

产物环境合规

合规

GADSL/IMDS	Not Relevant
China RoHS	
EU ELV	Not Relevant
Low-Halogen Status	Not Low-Halogen per IEC 61249-2-21
REACH SVHC	Not Contained per D(2023)3788-DC (14 Jun 2023)
EU RoHS	Compliant per EU 2015/863

多部分产品合规性声明

- Eu RoHS

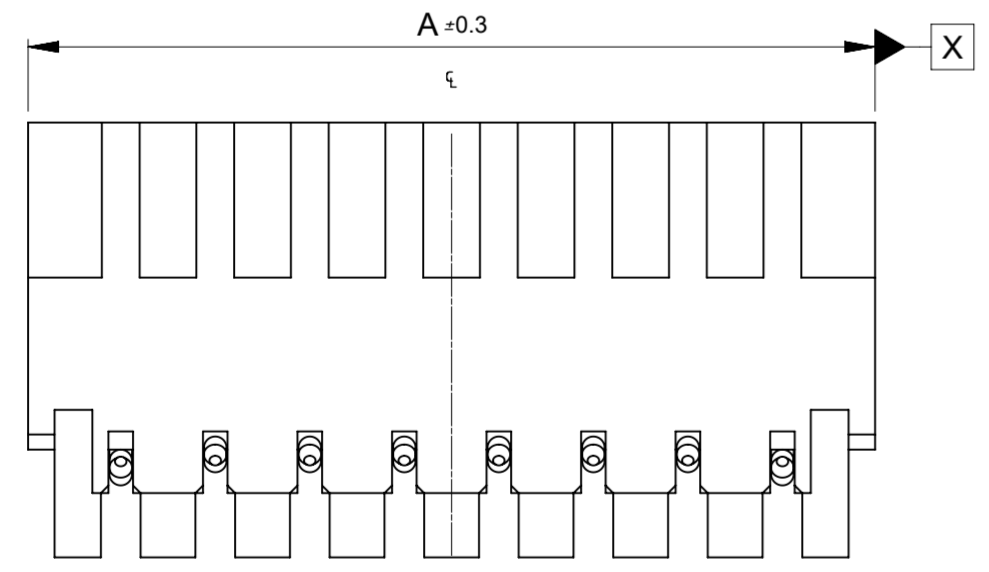
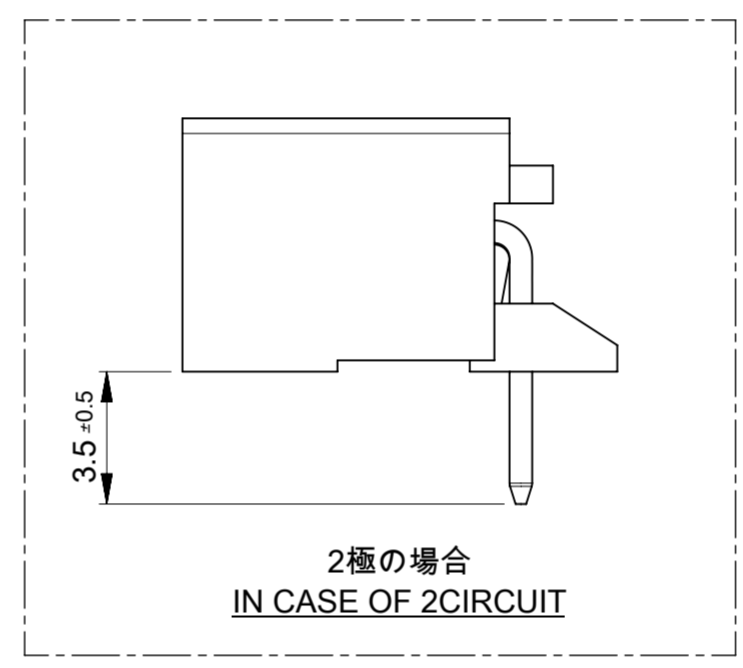
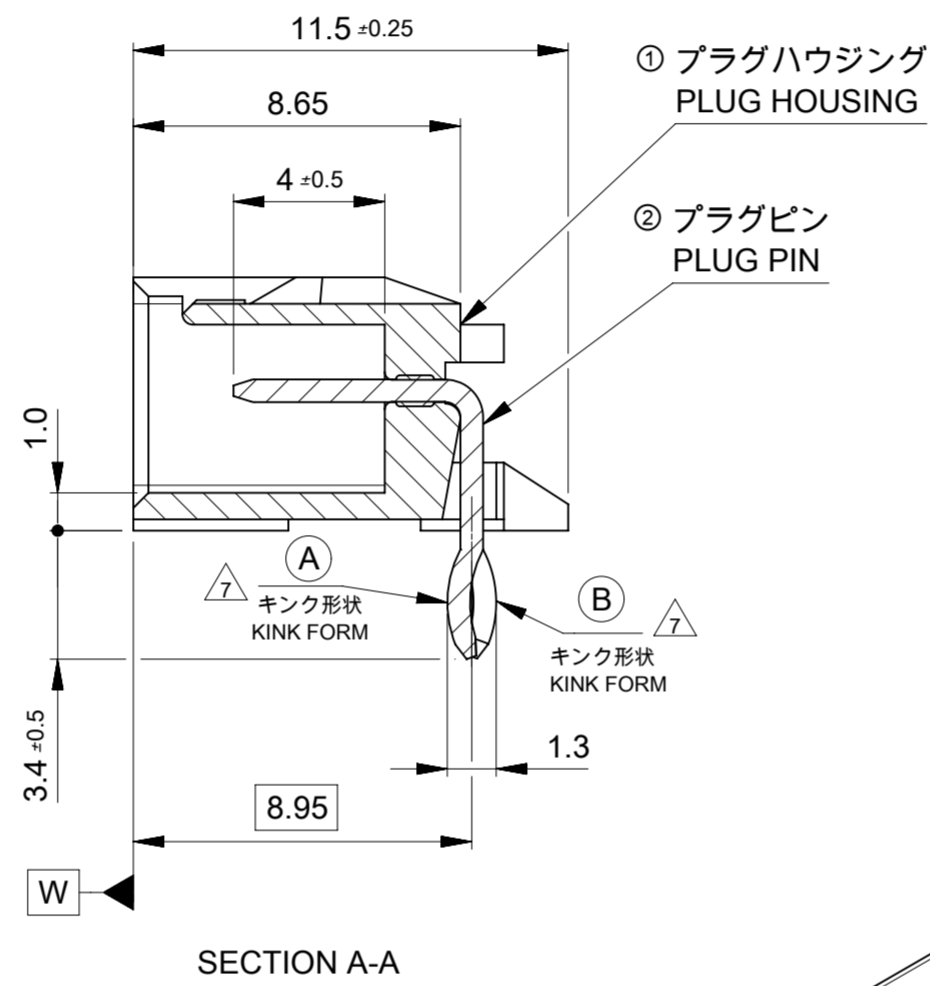
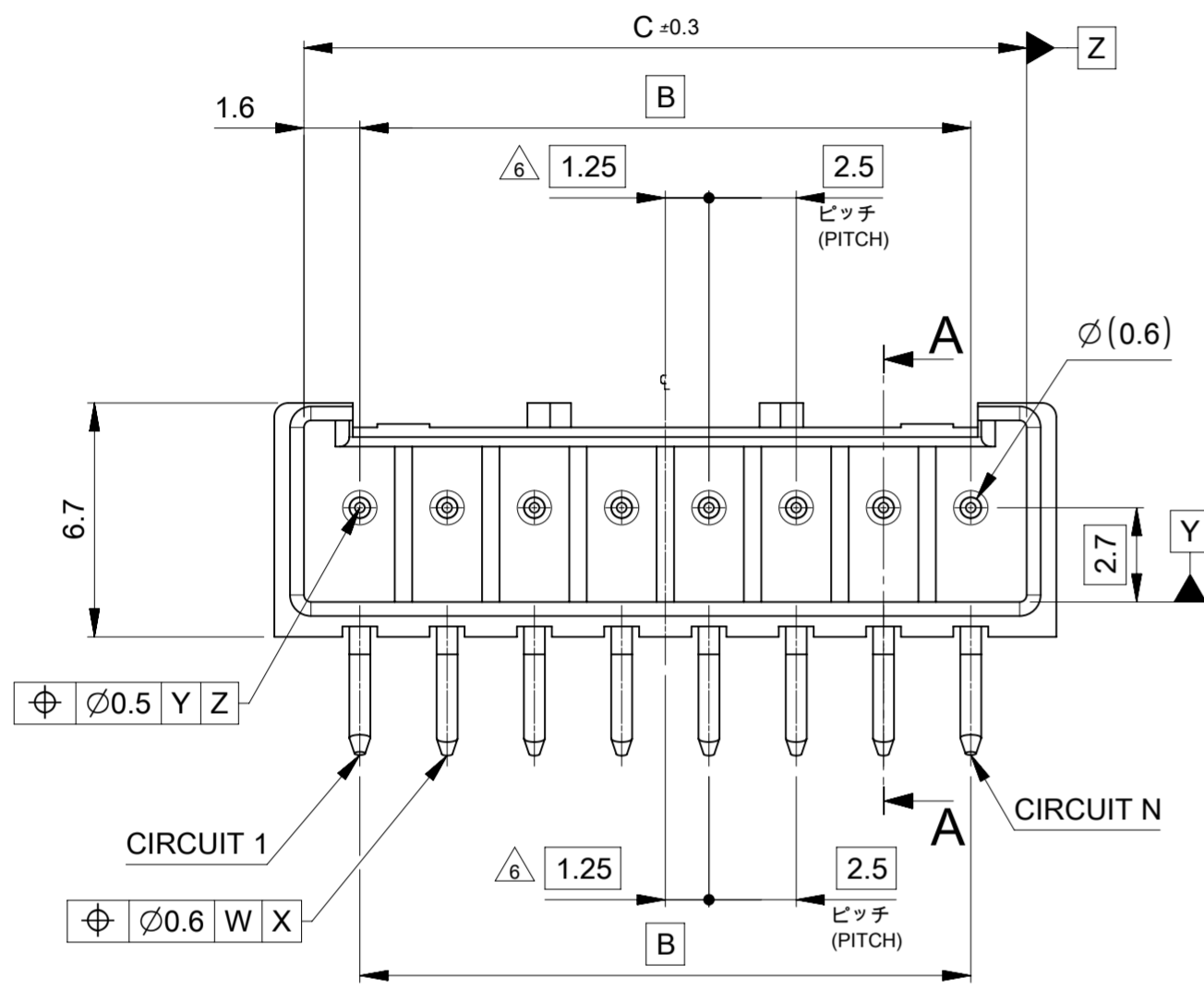
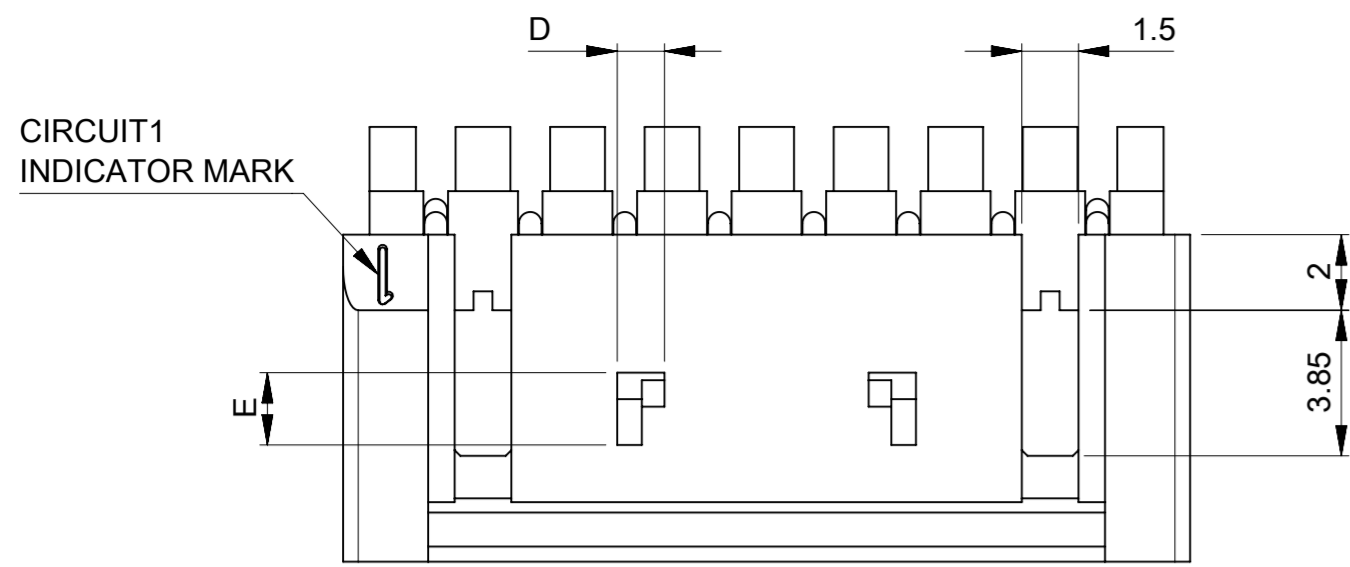
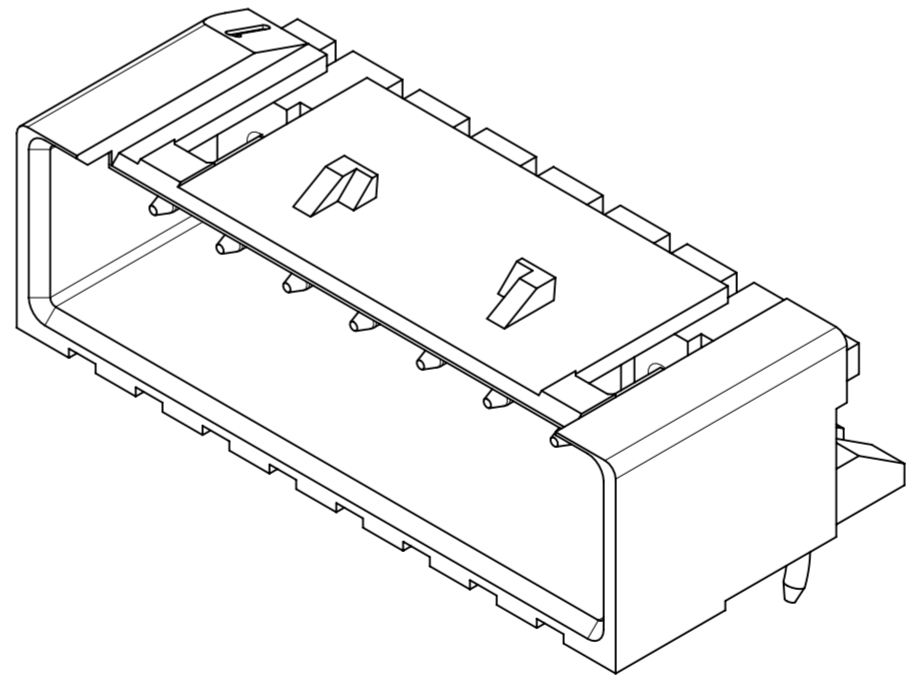


TABLE 1

NOTES

- ① 材料及び仕上げ(めっき仕様) : TABLE 1参照
MATERIAL AND FINISHES : SEE TABLE 1
- 2. 製品仕様書 : 511630000-PS 000
PRODUCT SPECIFICATION:511630000-PS 000
- 3. 梱包仕様書 : 533759200-SPK 200
PACKAGING SPECIFICATION: 533759200-SPK 200
- 4. 嵌合相手 : 51163 シリーズ
MATES WITH:51163 SERIES
- 5. アプリケーション仕様書(コネクタ取扱い説明書) : 2166940000-AS PS 000
APPLICATION SPECIFICATION(CONNECTOR MANUAL) : 2166940000-AS PS 000
- ⑥ 偶数極に適合
APPLY FOR EVEN CIRCUIT
- ⑦ 2極はキルクを付加しない
3極以上のキルク形状は両サイドが (B) 、その他の極は全て (A) 形状とする
KINK FORM
2 CIRCUIT:PINS TO BE NOT KINKED.
MORE THAN 2 CIRCUIT:PINS AT BOTH ENDS ARE KINK FORMED TO (B) ,
THE OTHER PINS ARE KINK FORMED TO (A) .



		HOUSING COLOR				
		NATURAL(WHITE)				
1.9	1.25	38.2	35	39.9	534261510	15
		35.7	32.5	37.4	534261410	14
		33.2	30	34.9	534261310	13
		30.7	27.5	32.4	534261210	12
		28.2	25	29.9	534261110	11
		25.7	22.5	27.4	534261010	10
		23.2	20	24.9	534260910	9
		20.7	17.5	22.4	534260810	8
		18.2	15	19.9	534260710	7
		15.7	12.5	17.4	534260610	6
13.2	10	14.9	534260510	5		
10.7	7.5	12.4	534260410	4		
1	8.2	5	9.9	534260310	3	
-	-	5.7	2.5	7.4	534260210	2
E	D	C	B	A	発注番号 ORDER No.	極数 CIRCUIT SIZE
					梱包形態:トレイ PACKAGE:TRAY	

部品 PART	材料 MATERIAL
① プラグハウジング PLUG HOUSING	ポリエステル ガラス含有 UL94 V-0 色 : ナチュラル(白) POLYESTER(PBT),GLASS FILLED,UL94 V-0,COLOR:NATURAL(WHITE)
② プラグピン PLUG PIN	りん青銅 PHOSPHOR BRONZE
	錫めっき : 1.0MICRO METER MINIMUM. MATTE TIN PLATING : 1.0MICRO METER MINIMUM.
	銅めっき(下地めっき):0.5MICRO METER MINIMUM COPPER PLATING(UNDER PLATING):0.5MICRO METER MINIMUM.

THIS DRAWING CONTAINS INFORMATION THAT IS PROPRIETARY TO MOLEX ELECTRONIC TECHNOLOGIES, LLC AND SHOULD NOT BE USED WITHOUT WRITTEN PERMISSION

DIMENSION UNITS	SCALE	CURRENT REV DESC:
mm	NTS	
GENERAL TOLERANCES (UNLESS SPECIFIED)		
ANGULAR TOL	± 3.0°	
4 PLACES	± 0.2	EC NO: 650566
3 PLACES	± 0.2	DRWN: RWATANABE01 2020/12/03
2 PLACES	± 0.2	CHK'D: AIDA 2020/12/18
1 PLACE	± 0.2	APPR: SAKIYAMA 2020/12/18
0 PLACES	± 0.2	INITIAL REVISION:
DRAFT WHERE APPLICABLE MUST REMAIN WITHIN DIMENSIONS		
THIRD ANGLE PROJECTION	DRAWING	SERIES
	A2-SIZE	53426

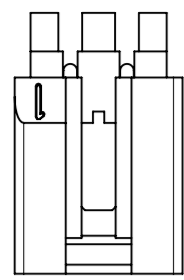
molex

MINI-LOCK 2.5 W/B
SINGLE ROW RIGHT ANGLE PLUG ASSEMBLY

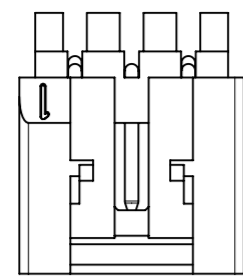
PRODUCT CUSTOMER DRAWING

DOCUMENT NUMBER	DOC TYPE	DOC PART	REVISION
534260000-SD	PSD	000	B

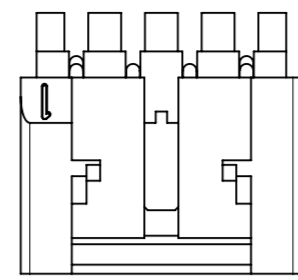
MATERIAL NUMBER	CUSTOMER	SHEET NUMBER
	GENERAL	1 OF 2



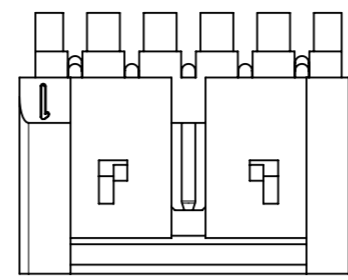
2CIRCUIT



3CIRCUIT

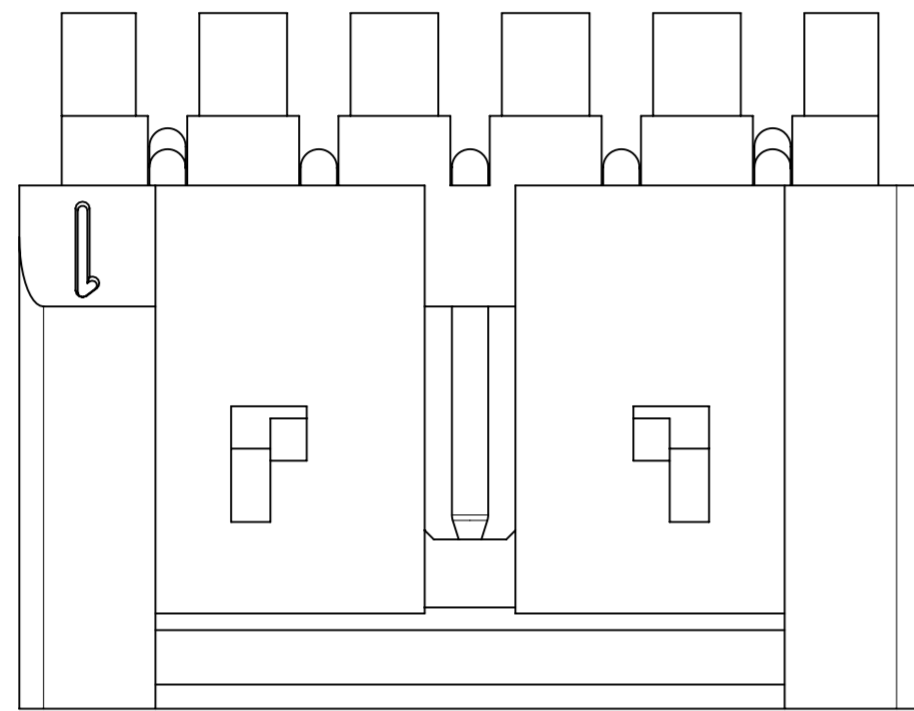


4CIRCUIT

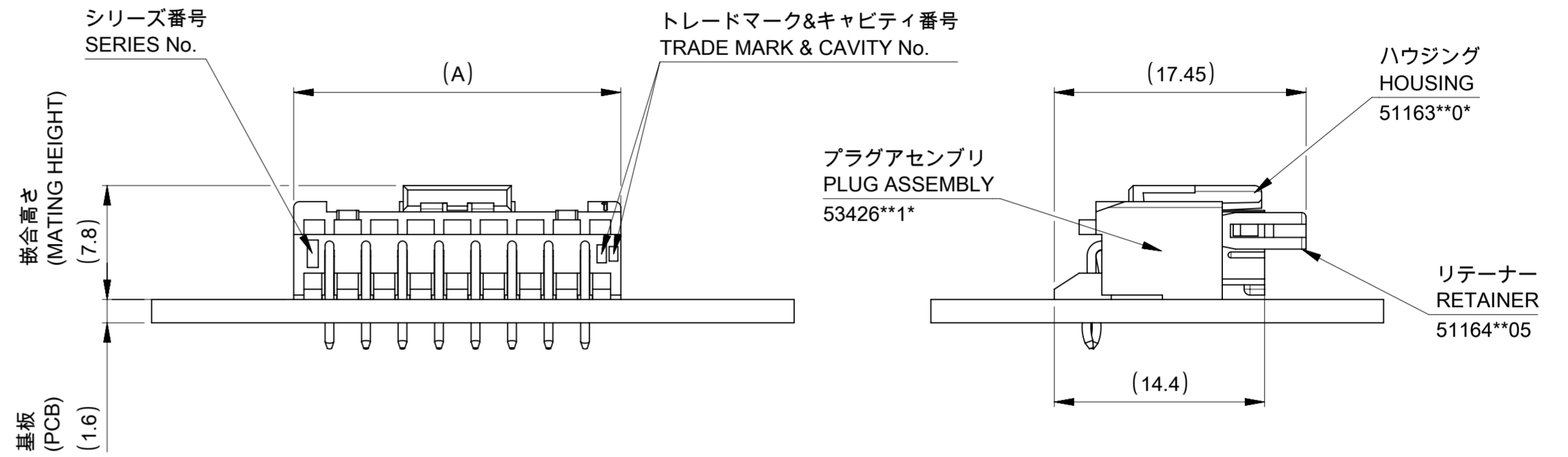


5~15CIRCUIT

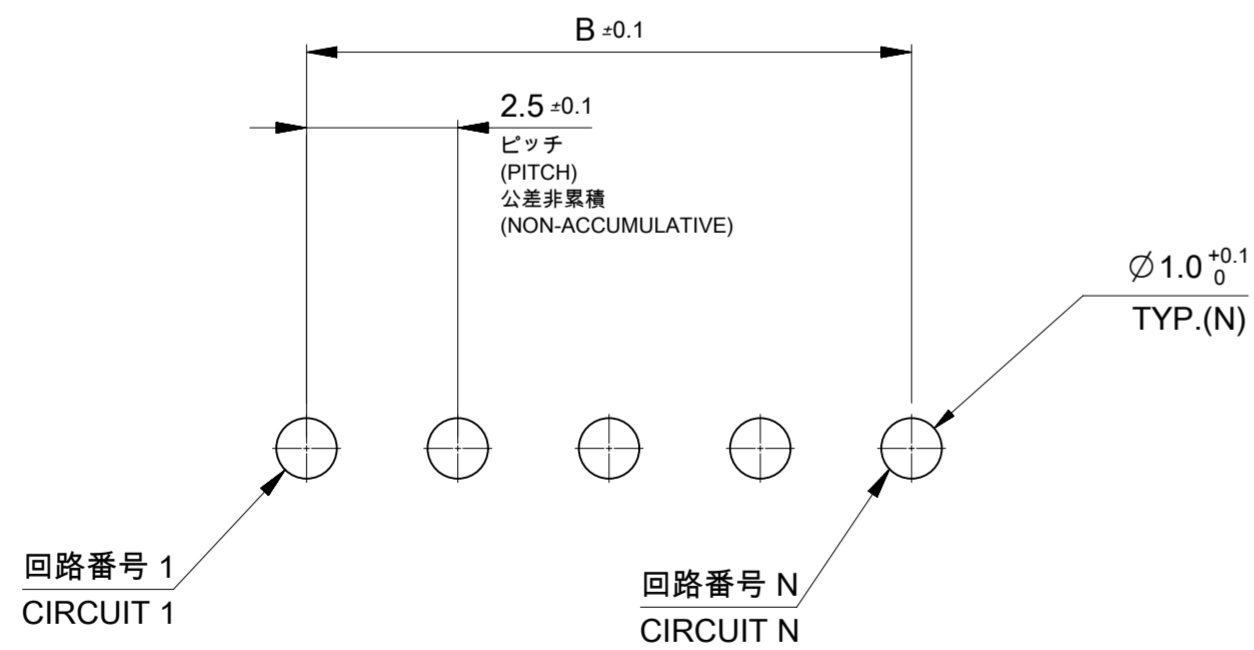
ロック形状図
LOCK CONFIGURATION



製品レイアウト
PRODUCT LAYOUT



嵌合図
MATED CONNECTORS



基板取付穴推奨寸法(マウント面)
RECOMMENDED PCB HOLE DIMENSION
(MOUNTING SIDE), (t=1.6)

THIS DRAWING CONTAINS INFORMATION THAT IS PROPRIETARY TO MOLEX ELECTRONIC TECHNOLOGIES, LLC AND SHOULD NOT BE USED WITHOUT WRITTEN PERMISSION													
DIMENSION UNITS		SCALE		CURRENT REV DESC:									
mm		NTS		<p>molex</p> <p>MINI-LOCK 2.5 W/B SINGLE ROW RIGHT ANGLE PLUG ASSEMBLY</p> <p>PRODUCT CUSTOMER DRAWING</p>									
GENERAL TOLERANCES (UNLESS SPECIFIED)													
ANGULAR TOL ± 3.0°													
4 PLACES ± 0.2		DRWN: RWATANABE01								2020/12/03		2020/12/18	
3 PLACES ± 0.2		CHK'D: AIDA								2020/12/18		2020/12/18	
2 PLACES ± 0.2		APPR: SAKIYAMA		2020/12/18		INITIAL REVISION:							
1 PLACE ± 0.2		DRWN: RWATANABE01		2019/09/19		2020/09/28		DOCUMENT NUMBER					
0 PLACES ± 0.2		APPR: SAKIYAMA		2020/09/28		534260000-SD		DOC TYPE DOC PART REVISION					
DRAFT WHERE APPLICABLE MUST REMAIN WITHIN DIMENSIONS		THIRD ANGLE PROJECTION		DRAWING		SERIES		MATERIAL NUMBER CUSTOMER SHEET NUMBER					
				A2-SIZE		53426		GENERAL 2 OF 2					

- REACH SVHC

- Low-Halogen

多部分行业合规性文件

- IPC 1752A Class C

- IPC 1752A Class D

- Molex Product Compliance Declaration

- IEC-62474

- chemSHERPA (xml)

欧盟 RoHS 合格证书

产品详情

常规

状态	活动
类别	PCB Headers and Receptacles
系列	53426
说明	2.50mm Pitch, Mini-Lock PCB Header, Single Row, Right-Angle, Through Hole with Kinked Pins, Tin Plating, Positive Lock, 9 Circuits, Tray, 3.40mm PC Tail Length, Natural
应用	Signal, Wire-to-Board
元件类型	PCB Header
产品系列	Mini-Lock Wire-to-Board Connector System
产品名称	Mini-Lock
UPC	800753446472

机构

CSA	LR19980
UL	E29179

电气

每触点最大电流	3.0A
电压 - 最大	250V AC (RMS) /DC

物理

断开	否
----	---

回路数 (已载入)	9
电路数 (最多)	9
颜色-树脂	Natural
耐用性(插拔次数) - 最多次数	30
阻燃性	94V-0
符合灼热丝规范	否
插接极性	无
锁定插接部位	是
材料 - 金属	Phosphor Bronze
材料 - 接合部位电镀	Tin
材料 - 终端电镀	Tin
材料 - 树脂	Polyester
净重	1183.300/mg
行数	1
方向	Right Angle
包装形式	Tray
PC 焊脚长度	3.40mm
PCB 定位器	否
PCB 保持力	是
推荐的 PCB 厚度	1.60mm
间距 - 插配接口	2.50mm
有极性的插配件	是
PCB 极性	否
有护墙的	Fully
可堆叠的	否
运行温度范围	-55° to +105° C
终端界面类型	Through Hole - Kinked Pin

可配插/可连接使用的产品

可配插部件

描述	产品编号
Mini-Lock Single Row Receptacle Housings	<u>51163</u>
Mini-Lock-to-Mini-Lock Off-the-Shelf (OTS) Cable Assemblies	<u>15137</u>

This document was generated on Feb 28, 2024