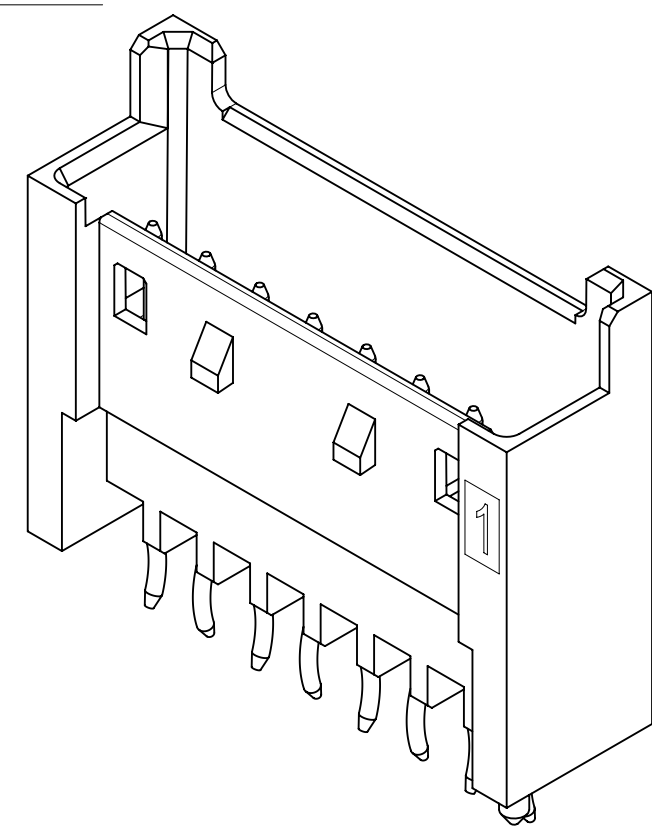
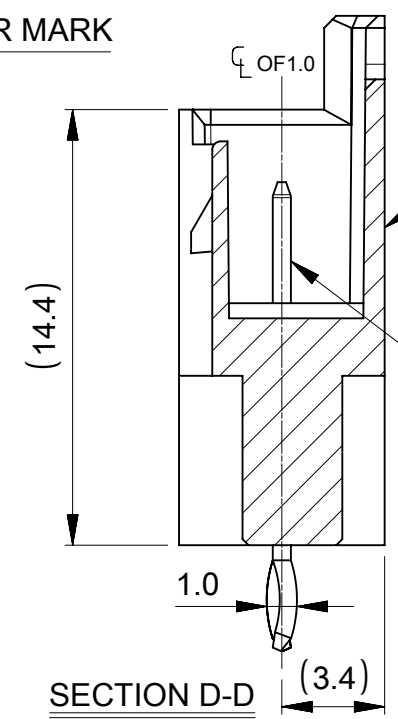


勝特力電材超市-龍山店 886-3-5773766
 勝特力電材超市-光復店 886-3-5729570
 勝特力電子(上海) 86-21-34970699
 勝特力電子(深圳) 86-755-83298787
<http://www.100y.com.tw>

NOTES

- ① 材料及び仕上げ(めっき仕様) : TABLE 1参照
MATERIAL AND FINISHES : SEE TABLE 1
- 2. 製品仕様書 : 511630000-PS 000
PRODUCT SPECIFICATION:511630000-PS 000
- 3. 梱包仕様書 : 535179200-SPK 200
PACKAGING SPECIFICATION: 535179200-SPK 200
- 4. 嵌合相手 : 51163 シリーズ
MATES WITH:51163 SERIES
- 5. アプリケーション仕様書(コネクタ取扱い説明書) : 2166940000-AS PS 000
APPLICATION SPECIFICATION(CONNECTOR MANUAL) : 2166940000-AS PS 000
- ⑥ 偶数極に適用
APPLY FOR EVEN CIRCUIT
- 7. GLOW WIRE TEST適合品
THIS PRODUCT IS GLOW WIRE TEST COMPATIBLE.



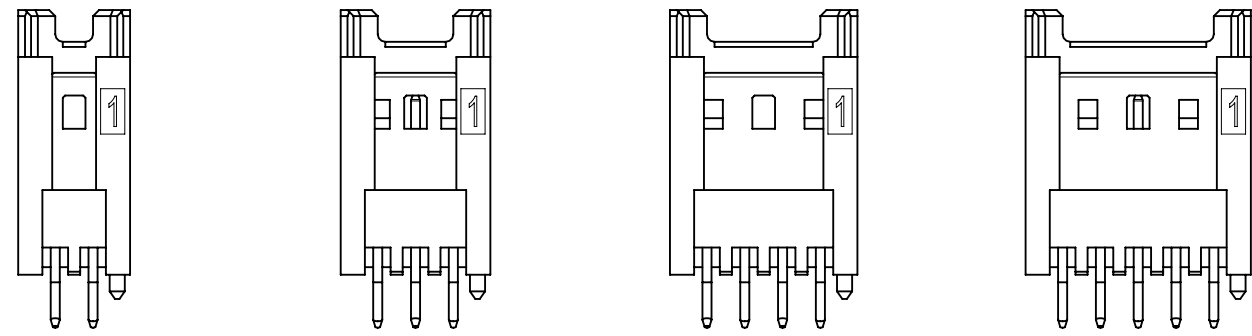
			HOUSING COLOR SEE SHEET 2	
38.2	35	39.9	5351715**	15
35.7	32.5	37.4	5351714**	14
33.2	30	34.9	5351713**	13
30.7	27.5	32.4	5351712**	12
28.2	25	29.9	5351711**	11
25.7	22.5	27.4	5351710**	10
23.2	20.0	24.9	5351709**	9
20.7	17.5	22.4	5351708**	8
18.2	15.0	19.9	5351707**	7
15.7	12.5	17.4	5351706**	6
13.2	10.0	14.9	5351705**	5
10.7	7.5	12.4	5351704**	4
8.2	5.0	9.9	5351703**	3
5.7	2.5	7.4	5351702**	2
C	B	A	発注番号 ORDER No. 梱包形態 : トレイ PACKAGE:TRAY	極数 CIRCUIT SIZE

① TABLE 1

部品 PART	材料 MATERIAL
① プラグハウジング PLUG HOUSING	ポリアミド,ガラス含有,UL94V-0,色 : SEE SHEET 2 POLYAMIDE(PA),GLASS FILLED,UL94V-0,COLOR: SEE SHEET 2
② プラグピン PLUG PIN	りん青銅 PHOSPHOR BRONZE
	錫めっき : 1.0 MICROMETER MINIMUM MATTE TIN PLATING : 1.0 MICROMETER MINIMUM
	銅めっき(下地めっき) : 0.5 MICROMETERS MINIMUM COPPER PLATING(UNDER PLATING) : 0.5 MICROMETERS MINIMUM

THIS DRAWING CONTAINS INFORMATION THAT IS PROPRIETARY TO MOLEX ELECTRONIC TECHNOLOGIES, LLC AND SHOULD NOT BE USED WITHOUT WRITTEN PERMISSION

DIMENSION UNITS mm	SCALE NTS	CURRENT REV DESC:		molex		
GENERAL TOLERANCES (UNLESS SPECIFIED)		EC NO: 652870				
ANGULAR TOL ± 3.0°	4 PLACES ±	DRWN: MIKEDA01	2023/03/27	PRODUCT CUSTOMER DRAWING		
3 PLACES ±	2 PLACES ± 0.2	CHK'D: SAKIYAMA	2023/05/15	DOCUMENT NUMBER		
1 PLACE ± 0.2	0 PLACES ± 0.2	APPR: AIDA	2023/05/15	DOC TYPE DOC PART REVISION		
DRAFT WHERE APPLICABLE MUST REMAIN WITHIN DIMENSIONS		INITIAL REVISION:	DRWN: RWATANABE01	535170000-SD		
THIRD ANGLE PROJECTION		APPR: TKANEKO	2018/03/14	PSD 001 E		
DRAWING		SERIES	2018/09/10	SHEET NUMBER		
A3-SIZE		53517	GENERAL			



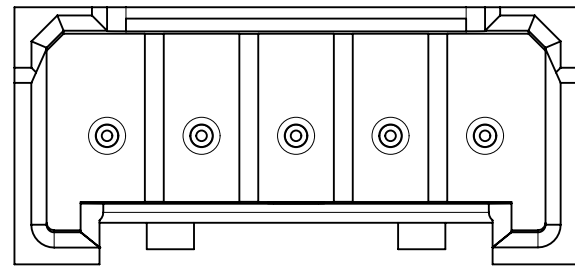
2CIRCUIT

3CIRCUIT

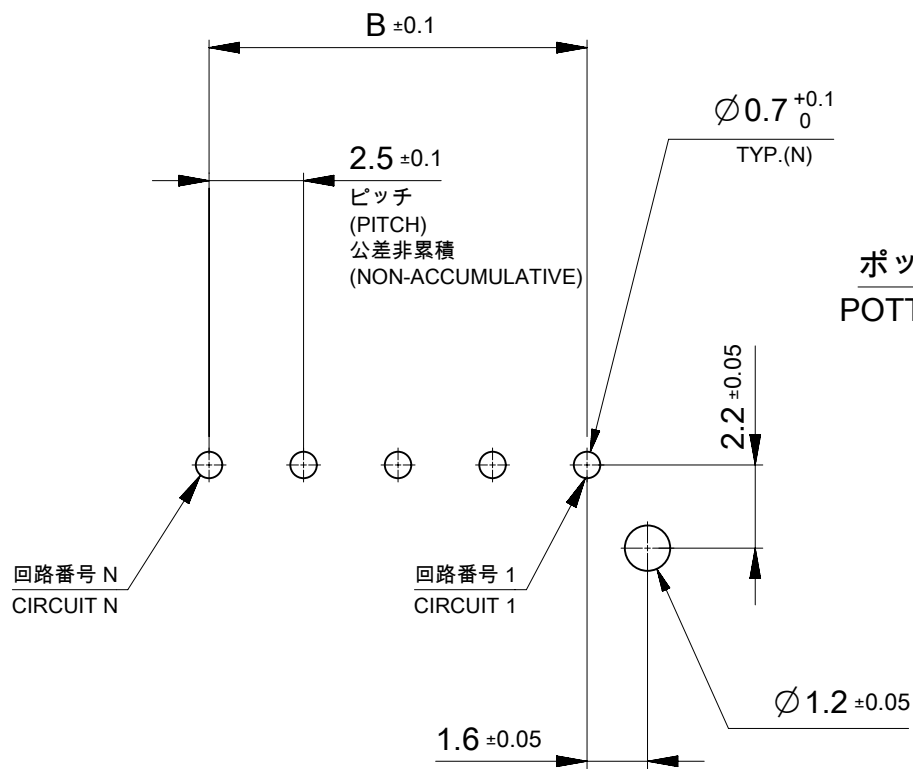
4CIRCUIT

5-15CIRCUIT

ロック形状図
LOCK CONFIGURATION

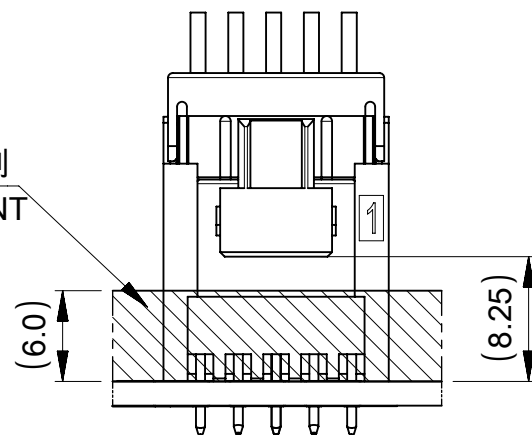


製品レイアウト
PRODUCT LAYOUT

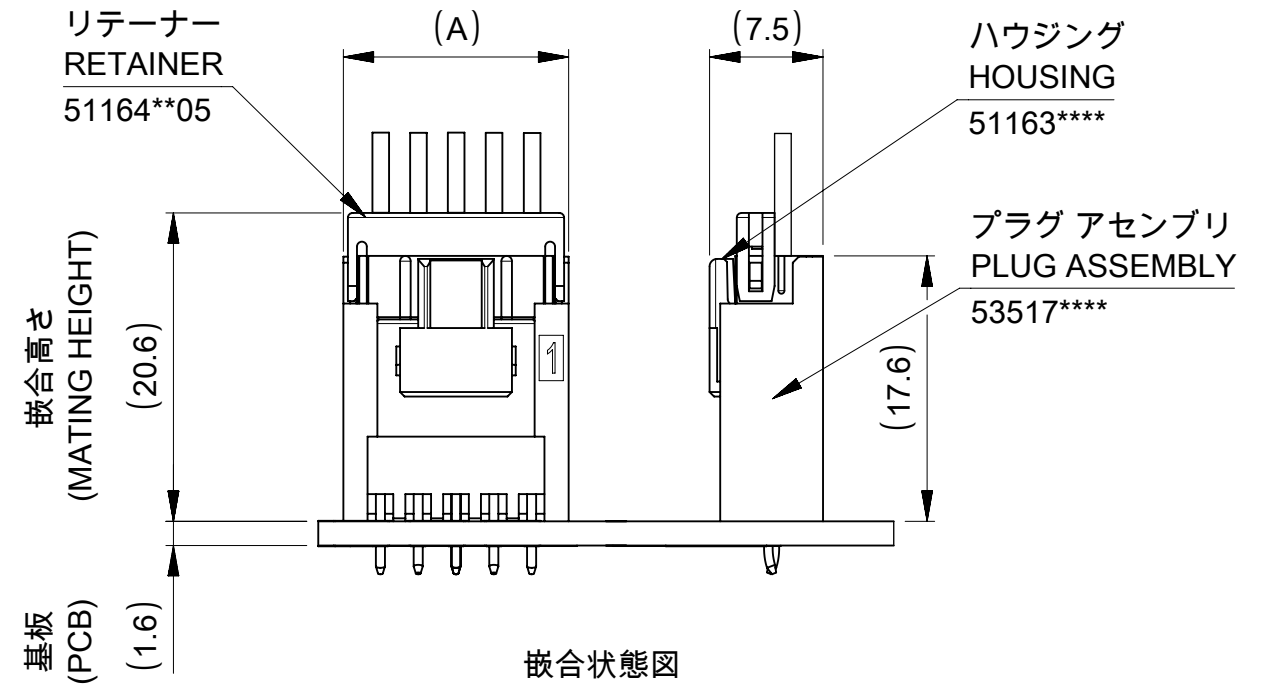


基板取付穴推奨寸法(マウント面)
RECOMMENDED PCB HOLE DIMENSION
(MOUNTING SIDE), (t=1.6)

ポッティング剤
POTTING AGENT



参考ポッティング高さ
POTTING HEIGHT (REFERENCE)



BLACK	NATURAL (WHITE)	HOUSING COLOR
535171541	535171530	15
535171441	535171430	14
535171341	535171330	13
535171241	535171230	12
535171141	535171130	11
535171041	535171030	10
535170941	535170930	9
535170841	535170830	8
535170741	535170730	7
535170641	535170630	6
535170541	535170530	5
535170441	535170430	4
535170341	535170330	3
535170241	535170230	2
発注番号 ORDER NO.		極数 CIRCUIT SIZE

THIS DRAWING CONTAINS INFORMATION THAT IS PROPRIETARY TO MOLEX ELECTRONIC TECHNOLOGIES, LLC AND SHOULD NOT BE USED WITHOUT WRITTEN PERMISSION

DIMENSION UNITS	SCALE	CURRENT REV DESC:	
mm	NTS		
GENERAL TOLERANCES (UNLESS SPECIFIED)			
ANGULAR TOL	± 3.0 °		
4 PLACES	±	EC NO: 652870	2023/03/27
3 PLACES	±	DRWN: MIKEDA01	2023/05/15
2 PLACES	± 0.2	CHK'D: SAKIYAMA	2023/05/15
1 PLACE	± 0.2	APPR: AIDA	2023/05/15
0 PLACES	± 0.2	INITIAL REVISION:	
DRAFT WHERE APPLICABLE MUST REMAIN WITHIN DIMENSIONS		DRWN: RWATANABE01	2018/03/14
THIRD ANGLE PROJECTION		APPR: TKANEKO	2018/09/10
DRAWING	SERIES	MATERIAL NUMBER	CUSTOMER
A3-SIZE	53517	535170000-SD	GENERAL
SHEET NUMBER		DOC TYPE	DOC PART
2 OF 2		PSD	001

molex

MINI-LOCK 2.5 W/B
SINGLE ROW VERTICAL PLUG ASSEMBLY FOR
POTTING

PRODUCT CUSTOMER DRAWING

DOCUMENT NUMBER: 535170000-SD

SHEET NUMBER: 2 OF 2



产品编号 : [535170230](#)

Product Description : 2.50mm Pitch, Mini-Lock PCB Header, Single Row, Vertical, Through Hole, Matte Tin Plating, Positive Lock, 2 Circuits, with Potting Capability, Tray, 3.50mm PC Tail Length, Natural

系列号 : 53517

状态 : Active

Product Category : PCB Headers and Receptacles



文件和资源

图纸

[图纸 535170230_sd.pdf](#)

3D 模型和设计文件

[2D 图纸 DXF 535170230.dxf](#)

[2D 图纸 DXF PDF 535170230.pdf](#)

[3D模型 535170230_stp.zip](#)

规格

[包装规格 535179200-SPK-200.pdf](#)


[产品规格 511030000-PS-000.pdf](#)

[产品规格 511630000-PS-000.pdf](#)

[产品规格 511631000-PS-000.pdf](#)

产物环境合规

合规

GADSL/IMDS	Not Relevant
China RoHS	
EU ELV	Not Relevant
Low-Halogen Status	Not Low-Halogen per IEC 61249-2-21
REACH SVHC	Not Contained per D(2023)3788-DC (14 Jun 2023)
EU RoHS	Compliant per EU 2015/863

[多部分产品合规性声明](#)

- Eu RoHS

- REACH SVHC

- Low-Halogen

多部分行业合规性文件

- IPC 1752A Class C

- IPC 1752A Class D

- Molex Product Compliance Declaration

- IEC-62474

- chemSHERPA (xml)

欧盟 RoHS 合格证书

产品详情

常规

状态	活动
类别	PCB Headers and Receptacles
系列	53517
说明	2.50mm Pitch, Mini-Lock PCB Header, Single Row, Vertical, Through Hole, Matte Tin Plating, Positive Lock, 2 Circuits, with Potting Capability, Tray, 3.50mm PC Tail Length, Natural
应用	Signal, Wire-to-Board
个评论	GWT performed on end product as per IEC 60695-2-11
元件类型	PCB Header
产品系列	Mini-Lock Wire-to-Board Connector System
产品名称	Mini-Lock
UPC	191128828529

机构

UL	E29179
----	--------

电气

每触点最大电流	3.5A
电压 - 最大	250V AC (RMS)/DC

物理

断开	否
----	---

回路数 (已载入)	2
电路数 (最多)	2
颜色-树脂	Natural
耐用性(插拔次数) - 最多次数	30
符合灼热丝规范	是
插接极性	无
锁定插接部位	是
材料 - 金属	Copper Alloy
材料 - 接合部位电镀	Matte Tin
材料 - 树脂	Polyamide
净重	723.648/mg
行数	1
方向	垂直
包装形式	Tray
PC 焊脚长度	3.50mm
PCB 定位器	是
PCB 保持力	是
推荐的 PCB 厚度	1.60mm
间距 - 插配接口	2.50mm
最薄镀层 - 接合部位	1.000µm
有极性的插配件	是
PCB 极性	是
有护墙的	Fully
可堆叠的	否
运行温度范围	-55° to +105° C
终端界面类型	Through Hole - Kinked Pin

可配插/可连接使用的产品

可配插部件

描述	产品编号
Mini-Lock Single Row Receptacle Housings	<u>51163</u>
Mini-Lock-to-Mini-Lock Off-the-Shelf (OTS) Cable Assemblies	<u>15137</u>

This document was generated on Dec 11, 2023