

勝特力電材超市-龍山店 886-3-5773766
 勝特力電材超市-光復店 886-3-5729570
 勝特力電子(上海) 86-21-34970699
 勝特力電子(深圳) 86-755-83298787
<http://www.100y.com.tw>

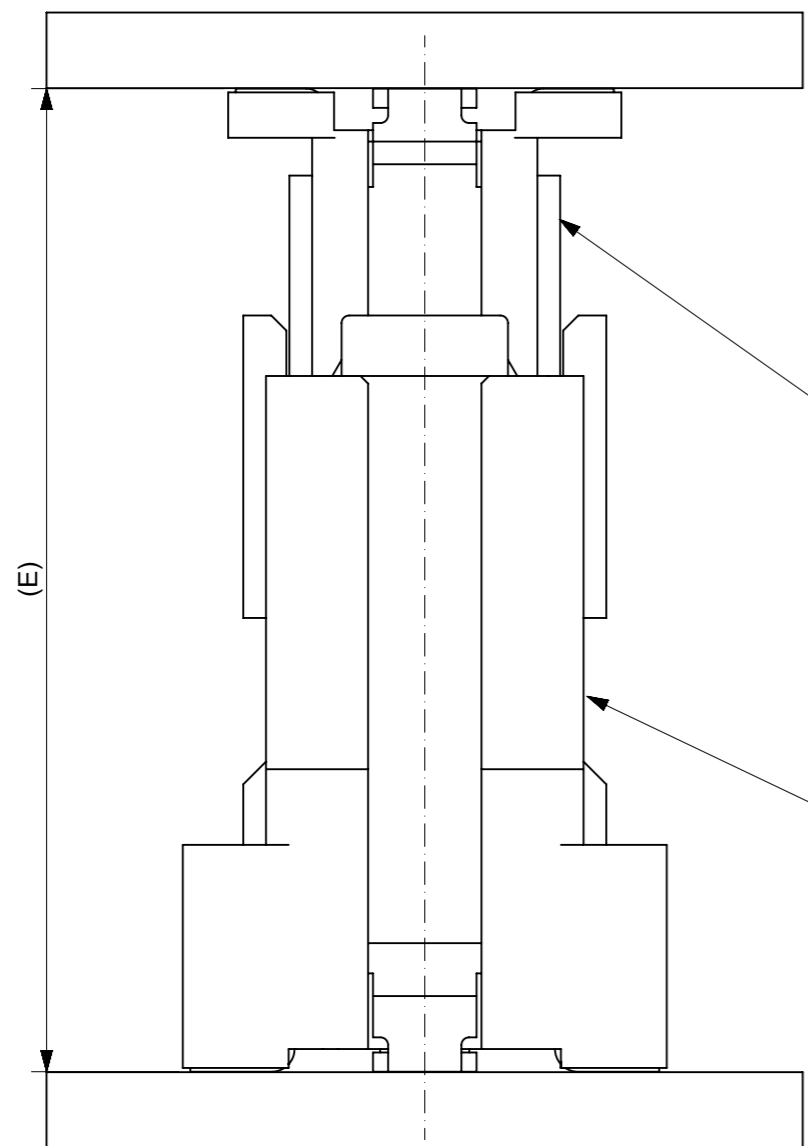
NOTES

1. 材質
 MATERIAL
 ハウジング: ガラス入りPPS、茶色、UL94V-0
 HOUSING: POLYPHENYLENE SULFIDE, GLASS FILLED, BROWN, UL94V-0
 ターミナル: 銅合金 (t=0.2)、ニッケルメッキ下地1.5マイクロメートル以上
 TERMINAL: COPPER ALLOY, UNDER-PLATING: NICKEL 1.5 MICROMETER MIN.
 接点部 : 金メッキ 0.25マイクロメートル以上
 CONTACT AREA: GOLD 0.25 MICROMETER MIN.
 半田付け部 : 錫メッキ1.0マイクロメートル以上
 SOLDER TAIL AREA: TIN 1.0 MICROMETER MIN.
 ネール : リン青銅(t=0.2)、ニッケルメッキ下地1.0マイクロメートル以上
 NAIL: PHOSPHOR BRONZE, UNDER-PLATING: NICKEL 1.0 MICROMETER MIN.
 錫メッキ1.0マイクロメートル以上
 TIN 1.0 MICROMETER MIN.
 吸着カバー: ステンレス (t=0.2)
 VACUUM COVER: STAINLESS STEEL

無し WITHOUT	66.47	65.37	62.865	70.37	53627-2074	-	200
	60.12	59.02	56.515	64.02	53627-1874	-	180
	53.77	52.67	50.165	57.67	53627-1674	53627-1675	160
	47.42	46.32	43.815	51.32	53627-1474	-	140
	41.07	39.97	37.465	44.97	53627-1274	-	120
	34.72	33.62	31.115	38.62	53627-1074	-	100
	31.55	30.45	27.94	35.45	53627-0974	-	90
有り WITH	28.37	27.27	24.765	32.27	53627-0874	-	80
	25.2	24.1	21.59	29.1	53627-0774	-	70
	22.02	20.92	18.415	25.92	53627-0674	-	60
	18.85	17.75	15.24	22.75	53627-0574	-	50
	15.67	14.57	12.065	19.57	53627-0474	-	40
	12.5	11.4	8.89	16.4	53627-0374	-	30
	9.32	8.22	5.715	13.22	53627-0274	-	20
ハウジングロック HSG LOCK	D	C	B	A	エンボス梱包 EMBOSSED PACKAGE	スティック梱包 STICK PACKAGE	極数 CKT
オーダー番号 ORDER NO.							

2. テールのバラツキ寸法
 TAIL COPLANARITY
 テール平坦度は、0.1ミリ以下とする。
 TAILS COPLANARITY TO BE 0.1 MILLIMETER MAX.

GENERAL TOLERANCES (UNLESS SPECIFIED)		THIS DRAWING CONTAINS INFORMATION THAT IS PROPRIETARY TO MOLEX ELECTRONIC TECHNOLOGIES, LLC AND SHOULD NOT BE USED WITHOUT WRITTEN PERMISSION		CURRENT REV DESC:				
		DIMENSION UNITS	SCALE					
10 UNDER	± 0.2	mm	-	EC NO: 627249		PRODUCT CUSTOMER DRAWING		
10 OVER 30 UNDER	± 0.25	GENERAL TOLERANCES (UNLESS SPECIFIED)		DRWN: JFURUKAWA 2019/11/08				
30 OVER	± 0.3	ANGULAR TOL ± 30°		CHK'D: HSHIMOYAMA 2019/11/14		DOC TYPE: PSD		
ANGULAR ± 3°		4 PLACES ± 0.2		APPR: SHOSHIKAWA 2020/01/13				
DRAFT WHERE APPLICABLE MUST REMAIN WITHIN DIMENSIONS		3 PLACES ± 0.25		INITIAL REVISION:		SHEET NUMBER: 1 OF 2		
		2 PLACES ± 0.3		DRWN: YSAKIYAMA 2004/03/15				
DRAFT WHERE APPLICABLE MUST REMAIN WITHIN DIMENSIONS		1 PLACE ±		APPR: MSASAO 2004/03/16		MATERIAL NUMBER: SEE CHART		
		0 PLACES ±		THIRD ANGLE PROJECTION				
		DRAWING: A3-SIZE		SERIES: 53627				



55091 series
53625 series
53647 series
53649 series
53627 series
Plug

52885 series
52901 series
Receptacle

嵌合高さ一覧 Stacking Height variation			
	6	52885 series	55091 series
	7		53625 series
	8		53647 series
	9		53649 series
○	10		53627 series
	12	52901 series	55091 series
	13		53625 series
	14		53647 series
	15		53649 series
○	16		53627 series
本図製品該当高さ Height Application	嵌合高さ E Stacking Height	リセプタクル Receptacle	プラグ Plug

GENERAL TOLERANCES (UNLESS SPECIFIED)		THIS DRAWING CONTAINS INFORMATION THAT IS PROPRIETARY TO MOLEX ELECTRONIC TECHNOLOGIES, LLC AND SHOULD NOT BE USED WITHOUT WRITTEN PERMISSION	
10 UNDER	± 0.2	DIMENSION UNITS	SCALE
10 OVER 30 UNDER	± 0.25	mm	-
30 OVER	± 0.3	CURRENT REV DESC:	
ANGULAR	± 3 °	EC NO: 627249	
DRAFT WHERE APPLICABLE MUST REMAIN WITHIN DIMENSIONS		DRWN: JFURUKAWA 2019/11/08	
		CHK'D: HSHIMOYAMA 2019/11/14	
		APPR: SHOSHIKAWA 2020/01/13	
		INITIAL REVISION:	
		DRWN: YSAKIYAMA 2004/03/15	
		APPR: MSASAO 2004/03/16	
		THIRD ANGLE PROJECTION	
		DRAWING	
		SERIES	
		MATERIAL NUMBER	
		CUSTOMER	
		SHEET NUMBER	
		A3-SIZE	
		53627	
		SEE CHART	
		GENERAL MARKET	
		2 OF 2	

molex

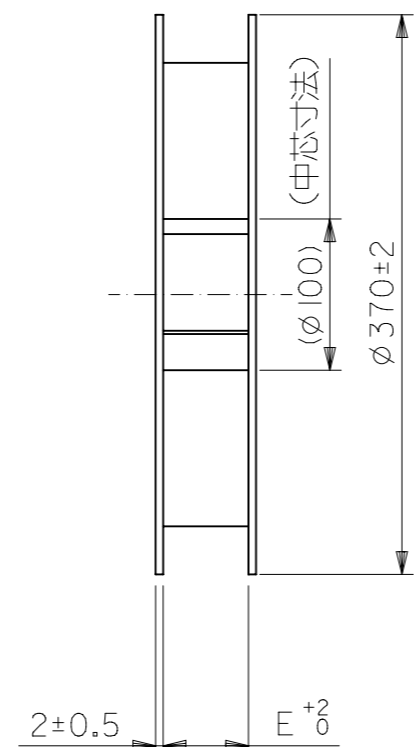
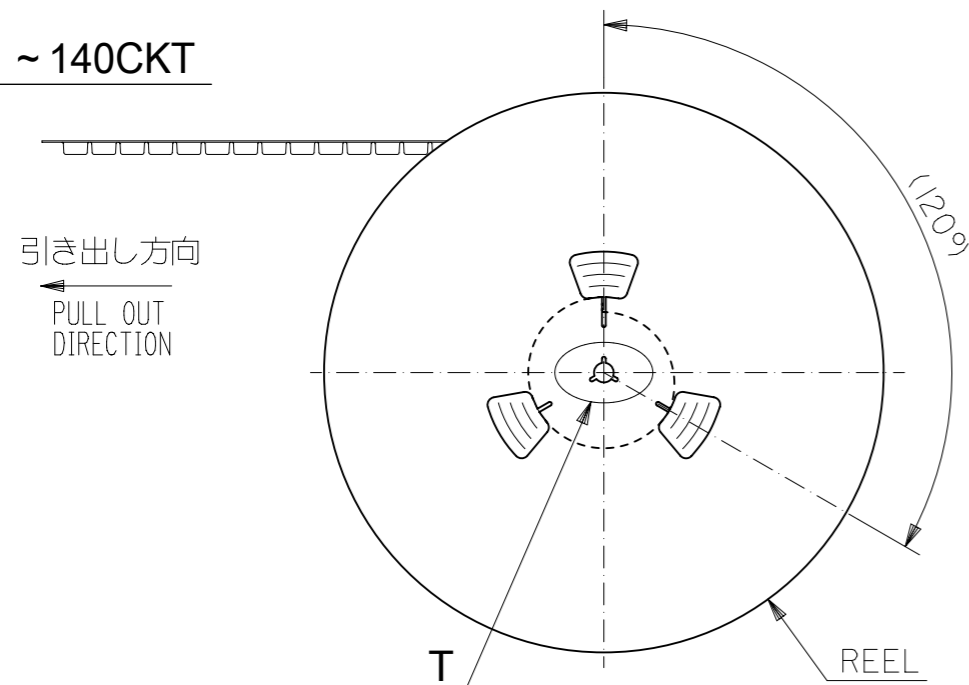
0.635 PITCH B/B CONN.
PLUG HSG COVER ASSY -LEAD FREE-

PRODUCT CUSTOMER DRAWING

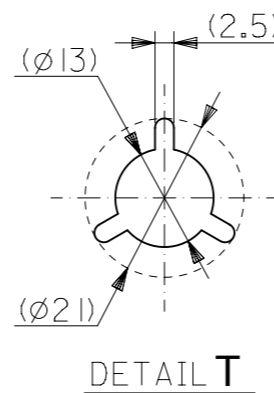
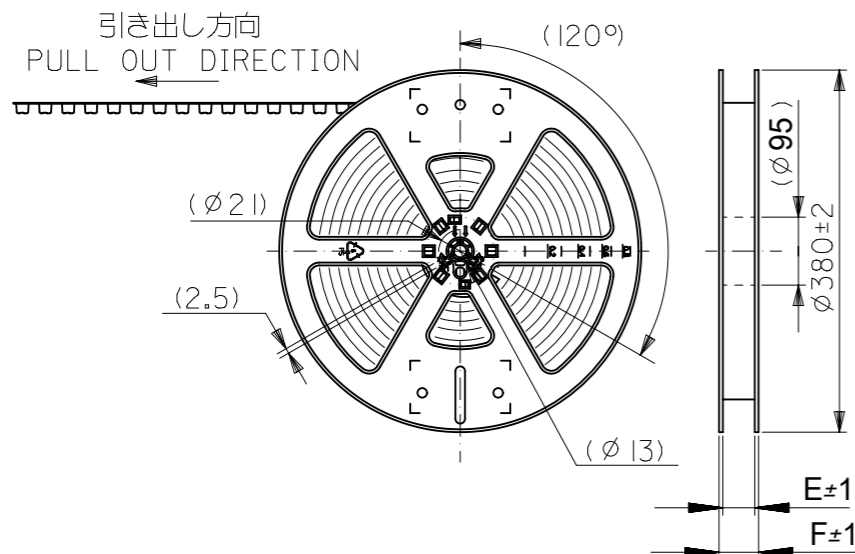
DOCUMENT NUMBER	DOC TYPE	DOC PART	REVISION
SD-53627-001	PSD	001	F

DOCUMENT STATUS	P1	RELEASE DATE	2020/01/13 17:10:35
-----------------	----	--------------	---------------------

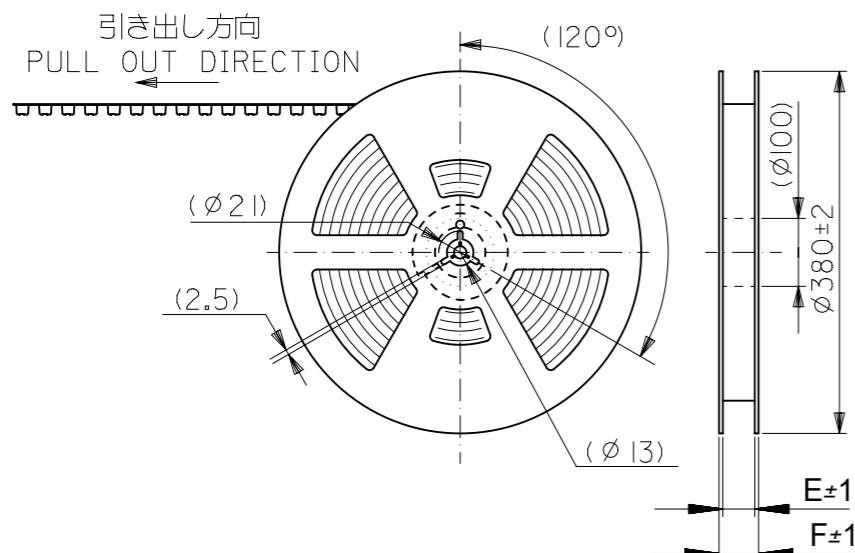
20 ~ 140CKT



160CKT

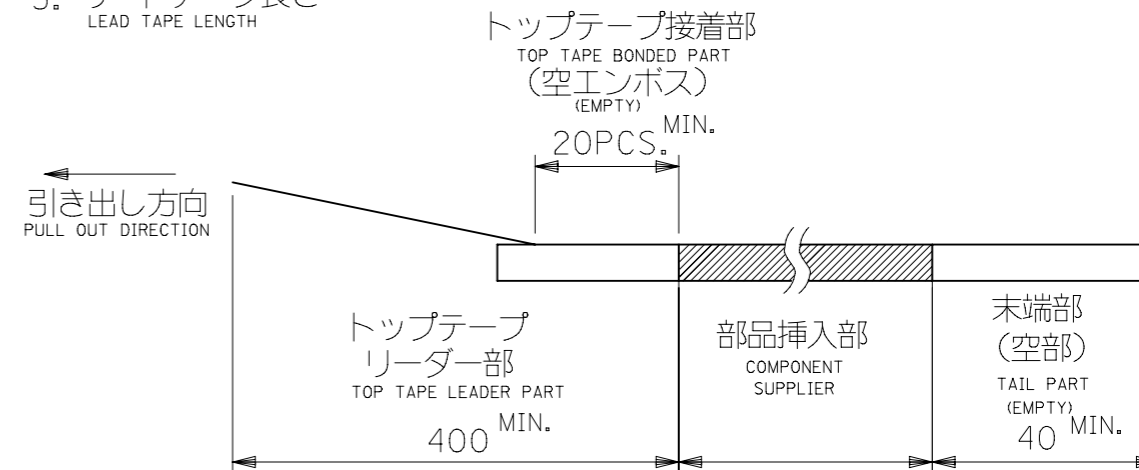


180, 200CKT



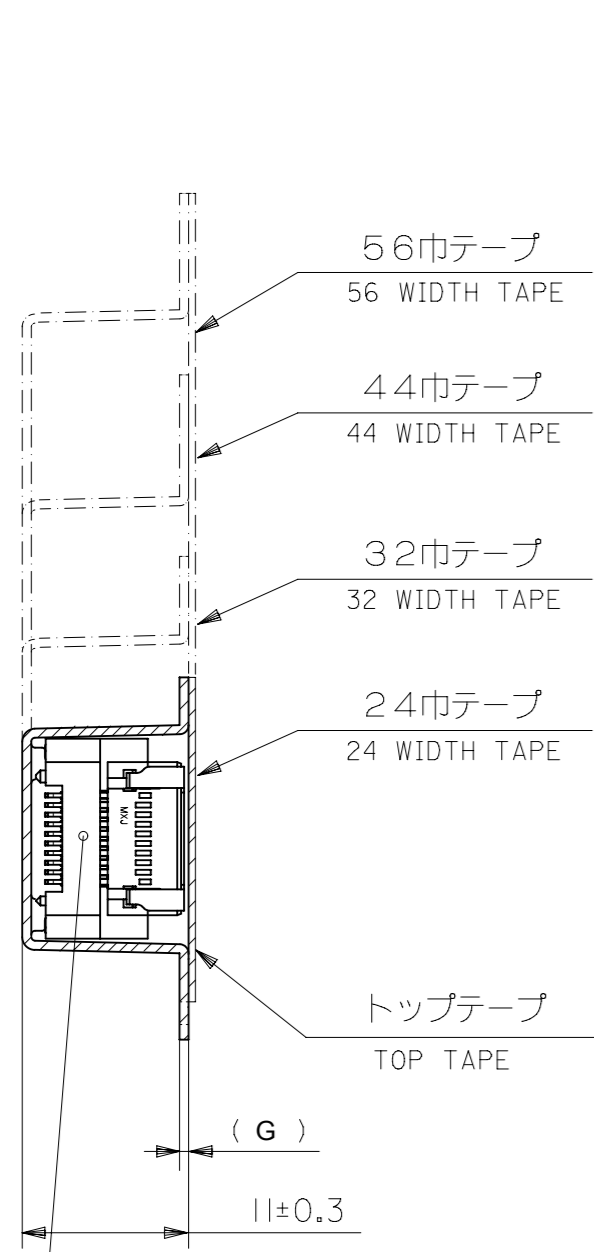
NOTES

- 製品番号 53627-**72 の詳細寸法については SD-53627-001 を参照下さい。
IN THE PACKAGE , PART NO. 53627-**72 DETAILED DIMENSIONS , SEE SD-53627-001.
- 梱包数量 : 700個/リール
NUMBER OF CONNECTORS : 700 PCS/REEL
- リードテープ長さ
LEAD TAPE LENGTH



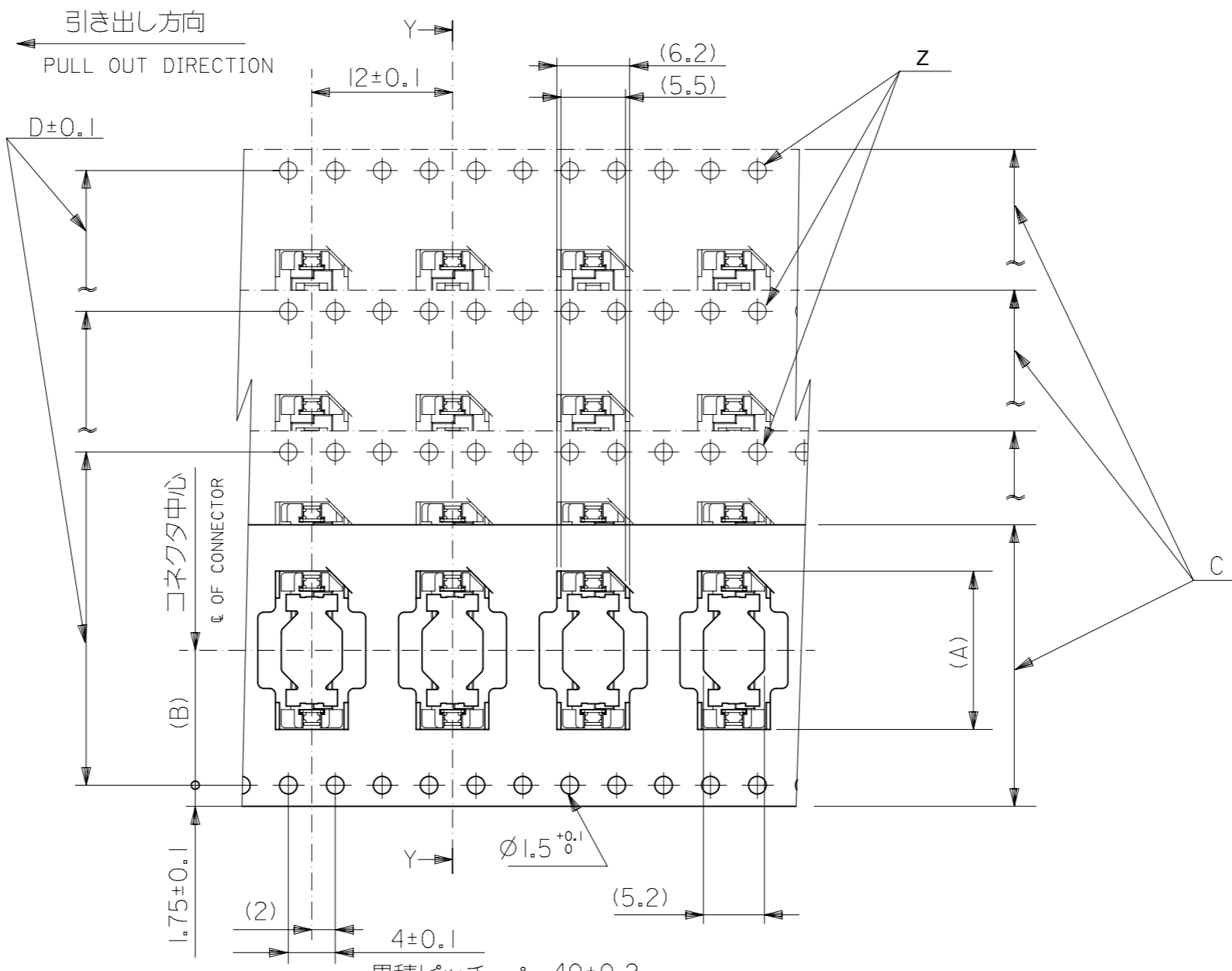
- 材料
MATERIAL
キャリアテープ : ポリプロピレン (PP) : 20~140, 200極
ポリスチレン (PS) : 160, 180極
CARRIER TAPE : POLYPROPYLENE (PP) : 20~140, 200CKT
POLYSTYRENE (PS) : 160, 180CKT
トップテープ : PET, PE, PEF
TOP TAPE : PET, PE, PEF
リール : 紙 : 20~140極
ポリスチレン : 160~200極
REEL : CARD BOARD : 20~140, 200CKT
POLYSTYRENE : 160, 180CKT

THIS DRAWING CONTAINS INFORMATION THAT IS PROPRIETARY TO MOLEX ELECTRONIC TECHNOLOGIES, LLC AND SHOULD NOT BE USED WITHOUT WRITTEN PERMISSION		CURRENT REV DESC:		molex	
DIMENSION UNITS	SCALE				
mm	-			EMBSTP PKG FOR 0.635 B/B PLUG HSG ASSY (H=10) -LEAD FREE-	
GENERAL TOLERANCES (UNLESS SPECIFIED)		EC NO: 175909		PRODUCT CUSTOMER DRAWING	
ANGULAR TOL ± 30°		DRWN: RMIYAMOTO 2018/03/16		DOCUMENT NUMBER	
4 PLACES ± 0.2		CHK'D: KSASAKI 2018/05/01		SD-53627-002	
3 PLACES ± 0.25		APPR: RTAKEUCHI 2018/05/01		DOC TYPE	
2 PLACES ± 0.3		INITIAL REVISION:		PSD	
1 PLACE ±		DRWN: YSAKIYAMA 2004/03/15		DOC PART	
0 PLACES ±		APPR: MSASAO 2004/03/16		001	
DRAFT WHERE APPLICABLE MUST REMAIN WITHIN DIMENSIONS		THIRD ANGLE PROJECTION		REVISION	
		DRAWING		C	
		SERIES		SHEET NUMBER	
		A3-SIZE		1 OF 3	
		53627		SEE CHART	
		MATERIAL NUMBER		GENERAL MARKET	
		CUSTOMER			

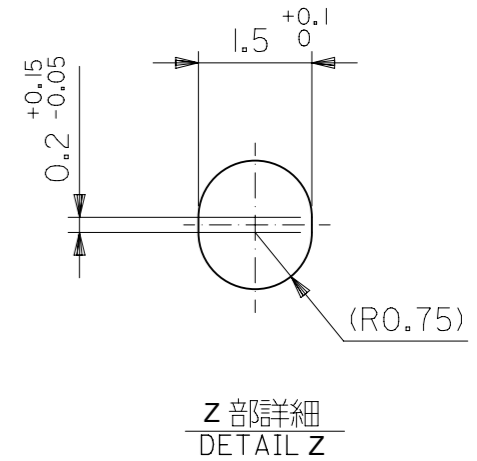


53627-***72
CONNECTOR

断面 Y-Y
SECTION Y-Y



累積ピッチ : 40±0.2
ACCUMULATIVE
PITCH : 40±0.2



CARD BOARD	PP	0.6	-	56.4	52.4	56±0.3	26.2	38.9	55091-1074	100
								35.8	55091-0974	90
								32.6	55091-0874	80
								29.4	55091-0774	70
								26.2	55091-0674	60
				23.1	55091-0574	50				
				32.4	28.4	32±0.3	14.2	19.9	55091-0474	40
				24.4	-	24±0.3	11.5	13.5	55091-0274	20
リール REEL	キャリアテープ CARRIER TAPE	G	F	E	D	C キャリアテープ幅 CARRIER TAPE WIDTH	B	A	オーダー番号 ORDER NO.	極数 CKT.NO.

THIS DRAWING CONTAINS INFORMATION THAT IS PROPRIETARY TO MOLEX ELECTRONIC TECHNOLOGIES, LLC AND SHOULD NOT BE USED WITHOUT WRITTEN PERMISSION

DIMENSION UNITS mm	SCALE -	CURRENT REV DESC:		molex	
GENERAL TOLERANCES (UNLESS SPECIFIED)					
ANGULAR TOL ± 30°		EC NO: 175909		EMBSTP PKG FOR 0.635 B/B PLUG HSG ASSY (H=10) -LEAD FREE-	
4 PLACES ± 0.2		DRWN: RMIYAMOTO	2018/03/16	PRODUCT CUSTOMER DRAWING	
3 PLACES ± 0.25		CHK'D: KSASAKI	2018/05/01	DOCUMENT NUMBER	
2 PLACES ± 0.3		APPR: RTAKEUCHI	2018/05/01	DOC TYPE	
1 PLACE ±		INITIAL REVISION:		DOC PART	
0 PLACES ±		DRWN: YSAKIYAMA	2004/03/15	REVISION	
DRAFT WHERE APPLICABLE MUST REMAIN WITHIN DIMENSIONS	THIRD ANGLE PROJECTION	APPR: MSASAO	2004/03/16	SD-53627-002	
	DRAWING	SERIES		MATERIAL NUMBER	CUSTOMER
	A3-SIZE	53627		SEE CHART	GENERAL MARKET
					SHEET NUMBER
					2 OF 3

9 8 7 6 5 4 3 2 1

引き出し方向
PULL OUT DIRECTION

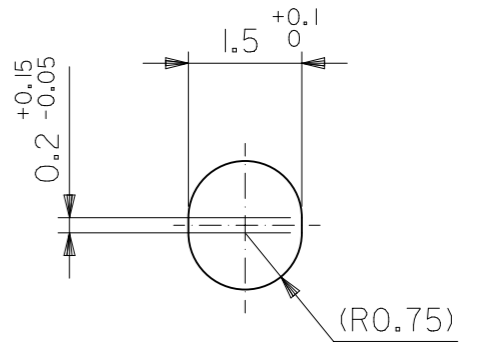
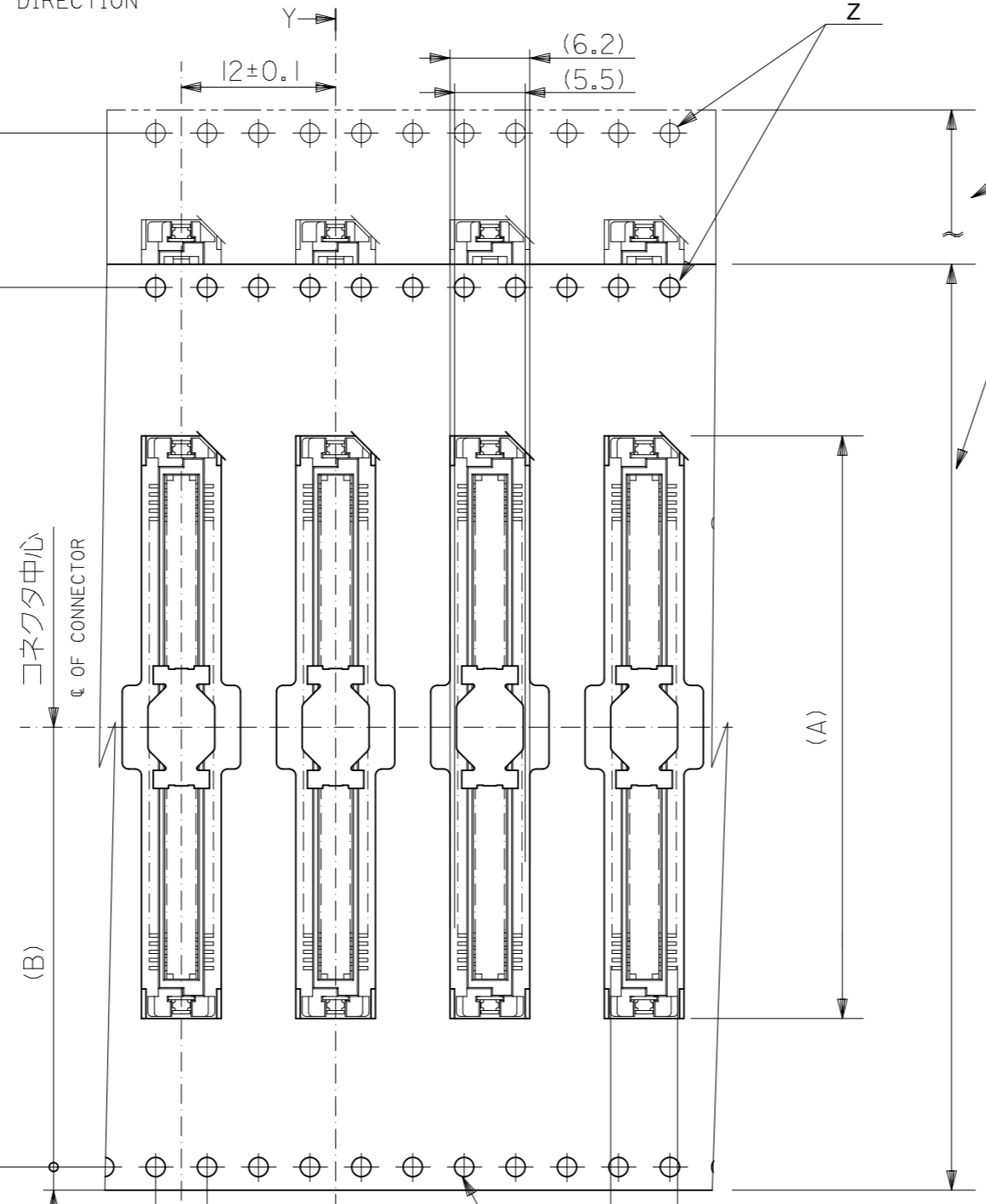
88巾テープ
88 WIDTH TAPE

72巾テープ
72 WIDTH TAPE

トップテープ
TOP TAPE

53627-**-72
CONNECTOR

断面 Y-Y
SECTION Y-Y



Z部詳細
DETAIL Z

累積ピッチ : 40±0.2
ACCUMULATIVE
PITCH : 40±0.2

PS	PP	0.6	94	90	84.4	88±0.3	42.2	70.7	53627-2074	200
PS	PS	0.5	78.1	73.5				64.4	53627-1874	180
CARD BOARD	PP	0.6	-	72.4	68.4	72±0.3	34.2	58.0	53627-1674	160
								51.6	53627-1474	140
								45.3	53627-1274	120
リール REEL	キャリアテープ CARRIER TAPE	G	F	E	D	C キャリアテープ幅 CARRIER TAPE WIDTH	B	A	オーダー番号 ORDER NO.	極数 CKT.NO.

THIS DRAWING CONTAINS INFORMATION THAT IS PROPRIETARY TO MOLEX ELECTRONIC TECHNOLOGIES, LLC AND SHOULD NOT BE USED WITHOUT WRITTEN PERMISSION

DIMENSION UNITS	SCALE	CURRENT REV DESC:		molex	
mm	-				
GENERAL TOLERANCES (UNLESS SPECIFIED)		EC NO: 175909		EMBSTP PKG FOR 0.635 B/B PLUG HSG ASSY (H=10) -LEAD FREE-	
ANGULAR TOL	± 30°	DRWN: RMIYAMOTO	2018/03/16	PRODUCT CUSTOMER DRAWING	
4 PLACES	± 0.2	CHK'D: KSASAKI	2018/05/01	DOCUMENT NUMBER	
3 PLACES	± 0.25	APPR: RTAKEUCHI	2018/05/01	SD-53627-002	
2 PLACES	± 0.3	INITIAL REVISION:		DOC TYPE	DOC PART
1 PLACE	±	DRWN: YSAKIYAMA	2004/03/15	PSD	001
0 PLACES	±	APPR: MSASAO	2004/03/16	REVISION	
DRAFT WHERE APPLICABLE MUST REMAIN WITHIN DIMENSIONS		THIRD ANGLE PROJECTION	DRAWING	SERIES	MATERIAL NUMBER
			A3-SIZE	53627	SEE CHART
				CUSTOMER	SHEET NUMBER
				GENERAL MARKET	3 OF 3

9 8 7 6 5 4 3 2 1



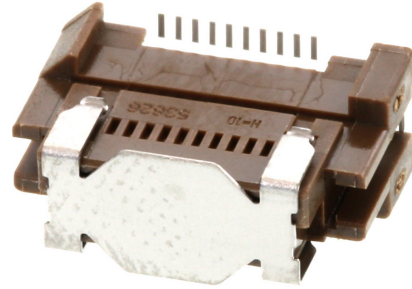
产品编号：[536270274](#)

Product Description：SlimStack Board-to-Board Connector, 0.635mm Pitch, 0.635 Series, Plug, 10.00 or 16.00mm Mated Height, 6.40mm Mated Width, 20 Circuits

系列号：53627

状态：Active

Product Category：Board-to-Board Connectors



文件和资源

图纸

[图纸 536270274_sd.pdf](#)

3D 模型和设计文件

[3D模型 536270274_stp.zip](#)

规格

[包装规格 SPK-53627-001-001.pdf](#)

[产品规格 527600000-000.pdf](#)

产物环境合规

合规

GADSL/IMDS	Compliant with Exemption 44; 33
China RoHS	
EU ELV	Not Relevant
Low-Halogen Status	Not Low-Halogen per IEC 61249-2-21
REACH SVHC	Not Contained per D(2023)3788-DC (14 Jun 2023)
EU RoHS	Compliant per EU 2015/863

[多部分产品合规性声明](#)

- Eu RoHS
- REACH SVHC
- Low-Halogen

[多部分行业合规性文件](#)

- IPC 1752A Class C
- IPC 1752A Class D
- Molex Product Compliance Declaration
- IEC-62474
- chemSHERPA (xml)

欧盟 RoHS 合格证书

产品详情

常规

状态	活动
类别	Board-to-Board Connectors
系列	53627
说明	SlimStack Board-to-Board Connector, 0.635mm Pitch, 0.635 Series, Plug, 10.00 or 16.00mm Mated Height, 6.40mm Mated Width, 20 Circuits
产品系列	0.635, Rigid
应用	Board-to-Board, Signal
个评论	Stacking-Type
元件类型	PCB Header
产品系列	SlimStack Board-to-Board/Board-to-FPC Connectors
产品名称	SlimStack
UPC	822348164493

机构

UL	E29179
----	--------

电气

每触点最大电流	0.5A
电压 - 最大	100V

物理

断开	否
回路数 (已载入)	20
电路数 (最多)	20

颜色-树脂	棕色
耐用性(插拔次数) - 最多次数	50
先接后断	否
符合灼热丝规范	否
可配插产品指南	否
插接极性	无
锁定插接部位	是
插配长度	10.00mm, 16.00mm
插配宽度	6.40mm
材料 - 金属	Copper Alloy
材料 - 接合部位电镀	金牌
材料 - 终端电镀	Tin
净重	579.461/mg
行数	2
方向	垂直
包装形式	Embossed Tape on Reel
PCB 定位器	是
PCB 保持力	是
间距 - 插配接口	0.635mm
PCB 极性	是
自动布局	Metal Cap
有护墙的	Fully
运行温度范围	-55° to +105° C
终端界面类型	Surface Mount

可配插/可连接使用的产品

可配插部件

描述	产品编号
0.635mm Pitch Vertical SlimStack Receptacles	<u>52885</u>
0.635mm Pitch Vertical SlimStack Receptacles	<u>52901</u>

This document was generated on Dec 11, 2023