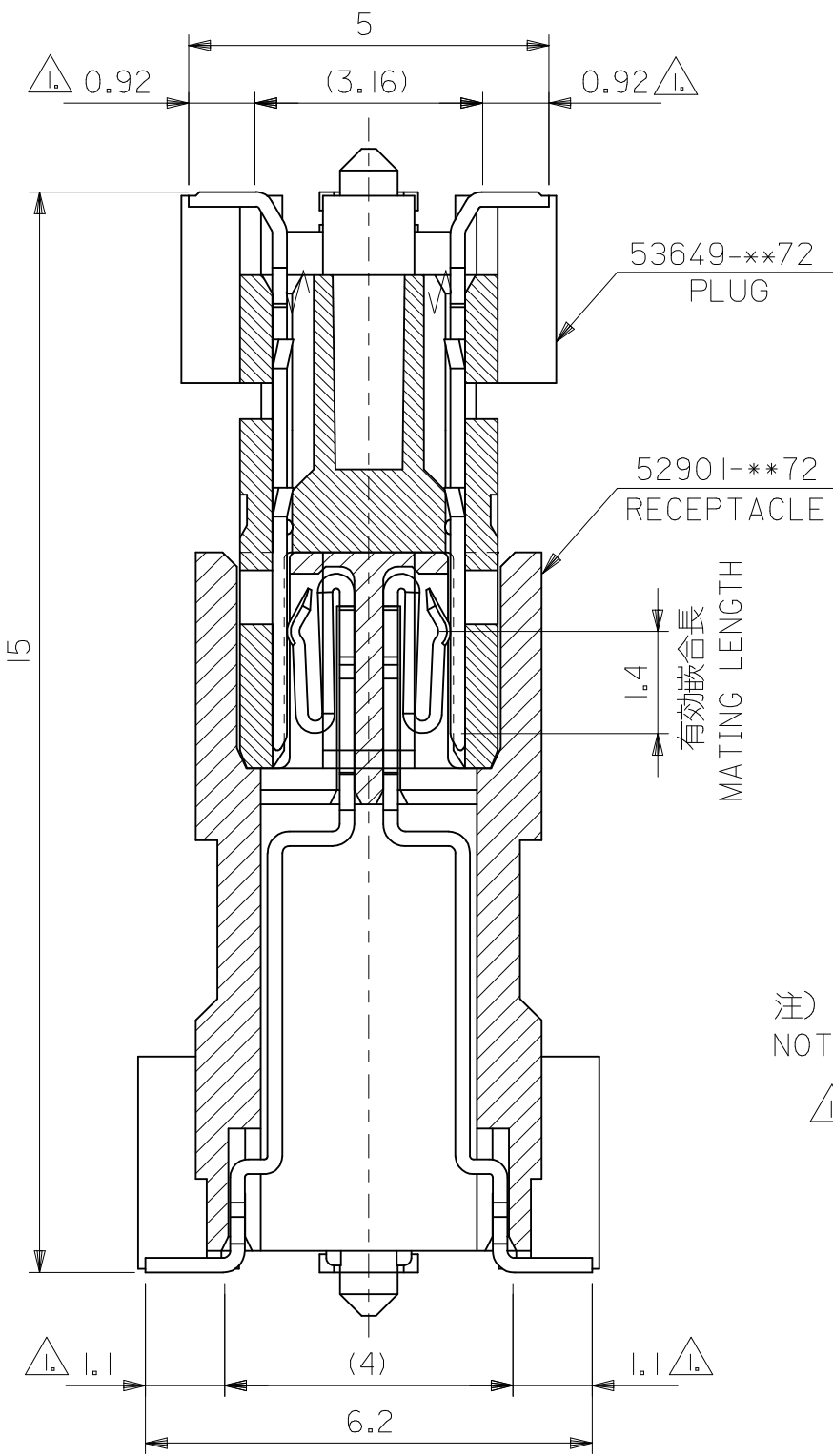


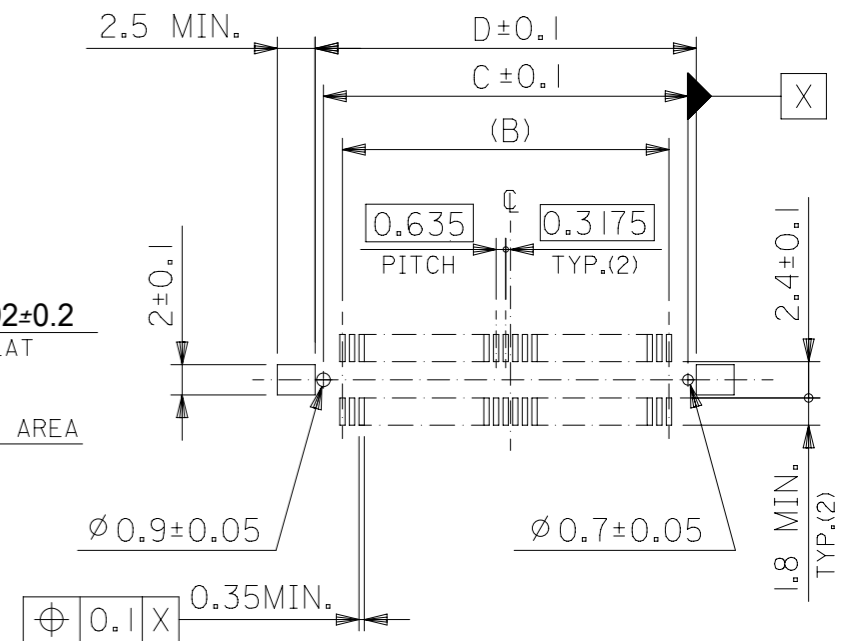
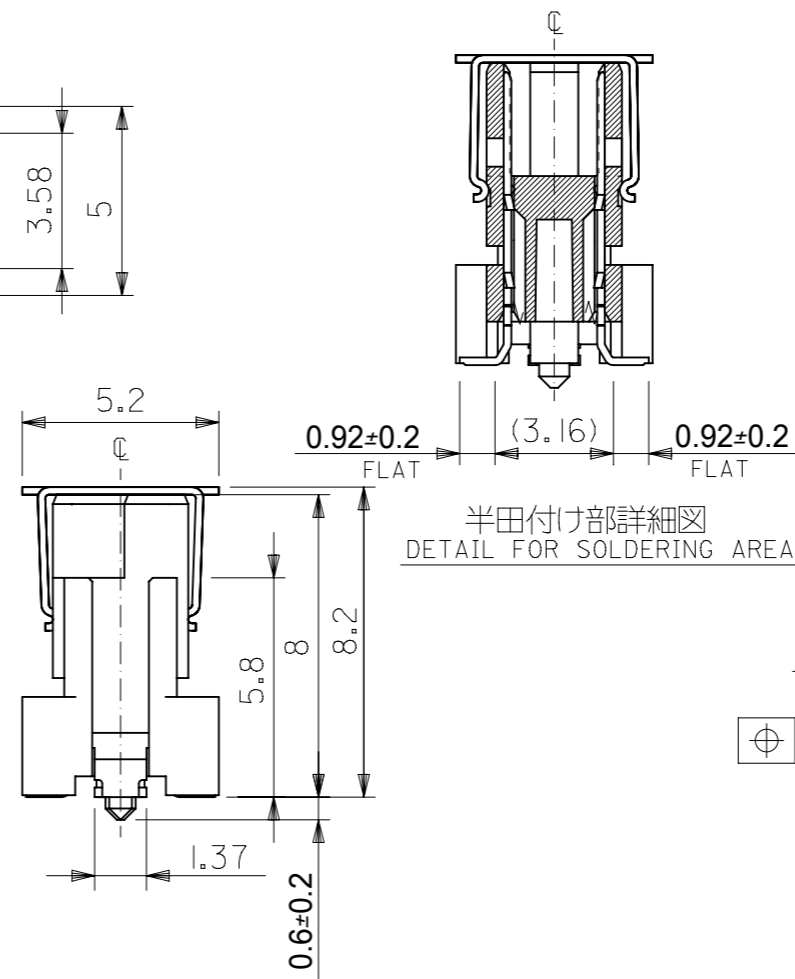
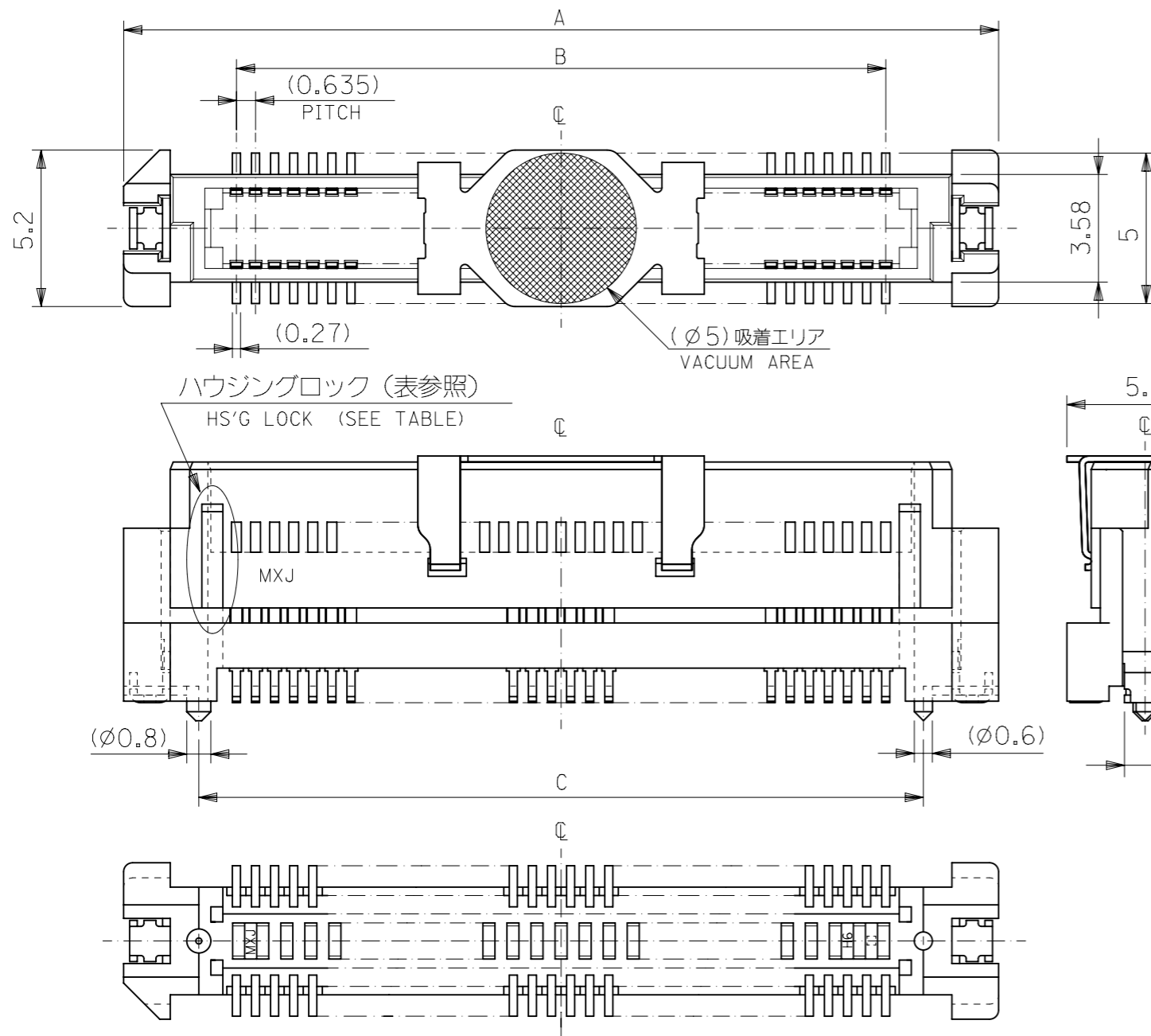
勝特力電材超市-龍山店 886-3-5773766
 勝特力電材超市-光復店 886-3-5729570
 勝特力電子(上海) 86-21-34970699
 勝特力電子(深圳) 86-755-83298787
<http://www.100y.com.tw>



注)
NOTE)

△ 基板接地長さ
FLAT AREA

RELEASED EC NO: J2005-3798 DRWN: KENSUZUKI 2005/06/20 CH'KD: NUKITA 2005/06/20 APPR: NUKITA 2005/06/23	DESCRIPTION REV	GENERAL TOLERANCES (UNLESS SPECIFIED)		DIMENSION STYLE MM ONLY		SCALE 10:1	DESIGN UNITS METRIC	THIRD ANGLE PROJECTION		
		10 UNDER	±0.2	DRAWN BY KENSUZUKI	DATE 2005/06/20	TITLE 0.635 PITCH B TO B CONN. 52901/53649 SERIES MATING CROSS SECTION				
		10 OVER 30 UNDER	±0.25	CHECKED BY NUKITA	DATE 2005/06/20					
		30 OVER	±0.3	APPROVED BY NUKITA	DATE 2005/06/20	MOLEX INCORPORATED DOCUMENT NO. SD-52901-015 SHEET NO. 1 OF 1				
		ANGULAR ±3 °		MATERIAL NO. SEE DRAWING						
DRAFT WHERE APPLICABLE MUST REMAIN WITHIN DIMENSIONS		SIZE A3		THIS DRAWING CONTAINS INFORMATION THAT IS PROPRIETARY TO MOLEX INCORPORATED AND SHOULD NOT BE USED WITHOUT WRITTEN PERMISSION						



推奨基板寸法
RECOMMENDED PCB PATTERN LAYOUT
(SCALE:2-1)

注) NOTES

1.材質 MATERIAL
ハウジング: ガラス入りPPS、茶色、UL94V-0
HOUSING: G.F.PPS, BROWN, UL94V-0
ターミナル: 銅合金 (t=0.2)
TERMINAL: COPPER ALLOY
フィッティングネイル: 銅合金 (t=0.2)
FITTING NAIL: COPPER ALLOY
吸着カバー: ステンレス (t=0.2)
VACUUM COVER: STAINLESS STEEL

2.メッキ仕様 PLATING

ターミナル TERMINAL
接点部: 金メッキ 0.25μmMIN.
CONTACT AREA: GOLD 0.25μmMIN.
半田付け部: 錫メッキ 1.0μmMIN.
SOLDER TAIL AREA: TIN 1.0μmMIN.
下地メッキ: ニッケルメッキ 1.5μmMIN.
UNDER-PLATING: NICKEL 1.5μmMIN.

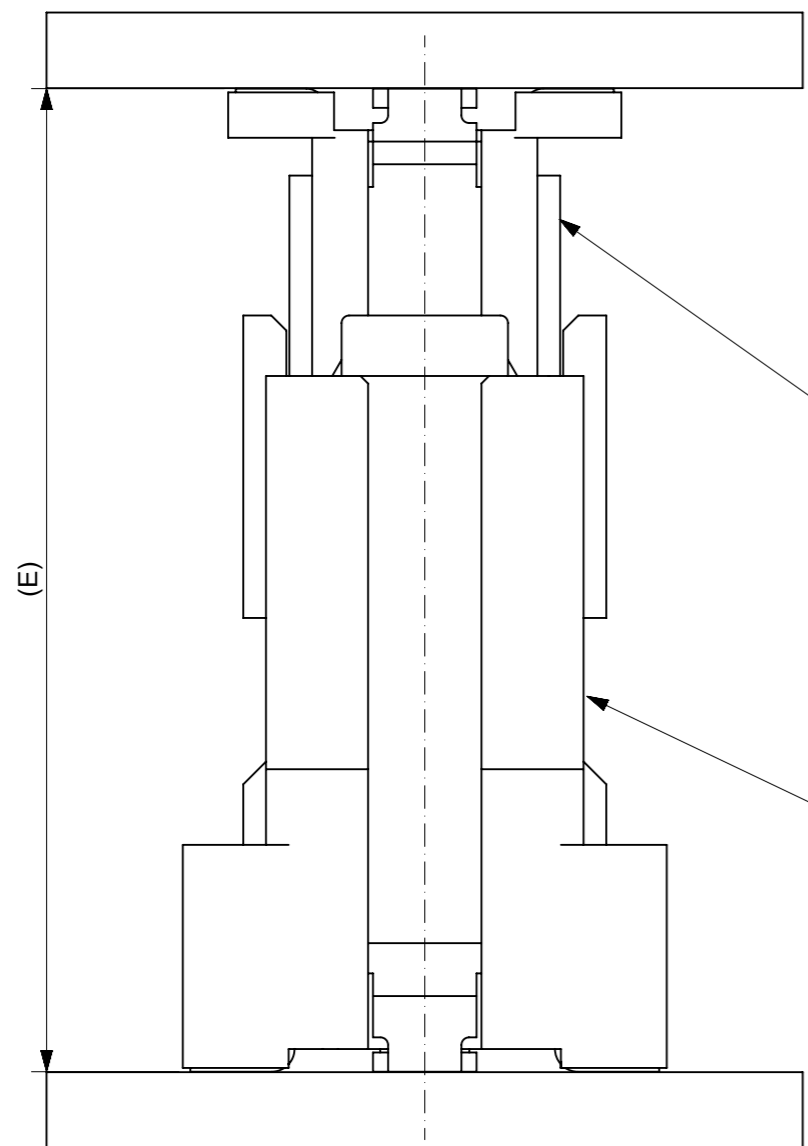
フィッティングネイル FITTING NAIL
錫メッキ 1.0μmMIN.
TIN 1.0μmMIN.
下地メッキ: ニッケルメッキ 1.0μmMIN.
UNDER-PLATING: NICKEL 1.0μmMIN.

3.テールのバラツキ寸法 TAIL COPLANARITY
テール平坦度は、0.1MAX.とする。
TAIL COPLANARITY TO BE 0.1MAX.

4.本製品は 53649-***2の鉛フリー品である。
THIS PRODUCT IS LEAD FREE OF 53649-***2

無し WITHOUT	47.42	46.32	43.815	51.32	53649-1474	140
	34.72	33.62	31.115	38.62	53649-1074	100
	28.37	27.27	24.765	32.27	53649-0874	80
有り WITH	22.02	20.92	18.415	25.92	53649-0674	60
	15.67	14.57	12.065	19.57	53649-0474	40
	12.5	11.4	8.89	16.4	53649-0374	30
ハウジングロック HSG LOCK	D	C	B	A	エンボス梱包 EMBOSSED PACKAGE オーダー番号 ORDER NO.	極数 CKT

GENERAL TOLERANCES (UNLESS SPECIFIED)		THIS DRAWING CONTAINS INFORMATION THAT IS PROPRIETARY TO MOLEX ELECTRONIC TECHNOLOGIES, LLC AND SHOULD NOT BE USED WITHOUT WRITTEN PERMISSION		CURRENT REV DESC:			
10 UNDER	± 0.2	DIMENSION UNITS	SCALE	EC NO: 647727			
10 OVER 30 UNDER	± 0.25	mm	1:1	DRWN: AHMADI2		PRODUCT CUSTOMER DRAWING	
30 OVER	± 0.3	GENERAL TOLERANCES (UNLESS SPECIFIED)		CHK'D: HSHIMOYAMA		DOCUMENT NUMBER	
ANGULAR ± 3 °		ANGULAR TOL ± 30 °		APPR: SHOSHIKAWA		DOC TYPE DOC PART REVISION	
DRAFT WHERE APPLICABLE MUST REMAIN WITHIN DIMENSIONS		DRAFT WHERE APPLICABLE MUST REMAIN WITHIN DIMENSIONS		INITIAL REVISION:		SD-53649-004	
				DRWN: MNABEI		PSD 001 J	
				APPR: MSASAO		SHEET NUMBER	
				THIRD ANGLE PROJECTION		GENERAL MARKET	
				DRAWING		1 OF 2	
				A3-SIZE			
				SERIES			
				MATERIAL NUMBER			
				CUSTOMER			
				53649			



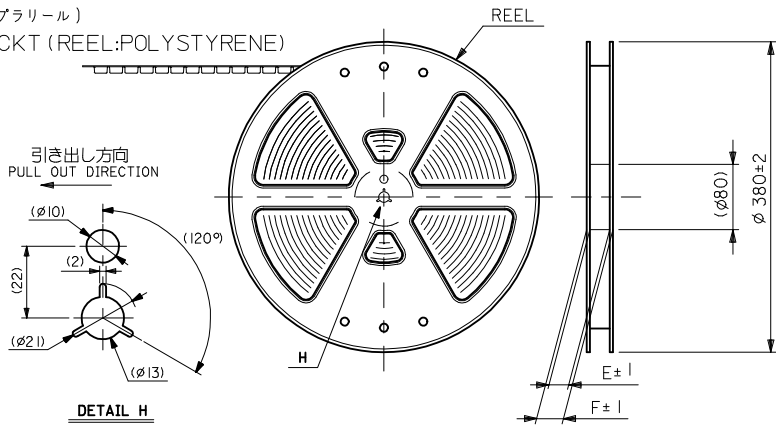
55091 series
53625 series
53647 series
53649 series
53627 series
Plug

52885 series
52901 series
Receptacle

嵌合高さ一覧 Stacking Height variation			
	6	52885 series	55091 series
	7		53625 series
	8		53647 series
○	9		53649 series
	10		53627 series
	12	52901 series	55091 series
	13		53625 series
	14		53647 series
○	15		53649 series
	16		53627 series
本図製品該当高さ Height Application	嵌合高さ E Stacking Height	リセプタクル Receptacle	プラグ Plug

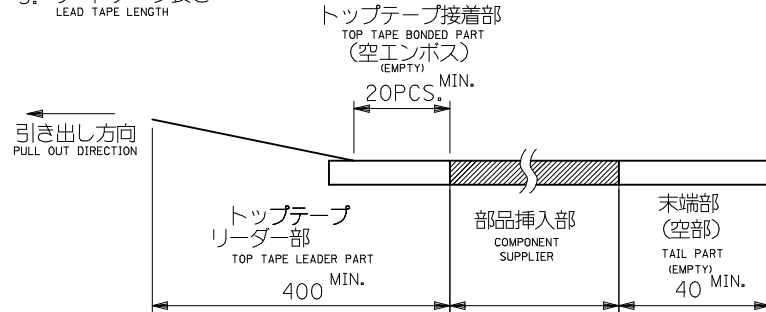
GENERAL TOLERANCES (UNLESS SPECIFIED)		THIS DRAWING CONTAINS INFORMATION THAT IS PROPRIETARY TO MOLEX ELECTRONIC TECHNOLOGIES, LLC AND SHOULD NOT BE USED WITHOUT WRITTEN PERMISSION		
DIMENSION UNITS	SCALE	CURRENT REV DESC:		
mm	1:1	molex 0.635 B/B CONN. PLUG HS'G COVER ASS'Y -LEAD FREE- PRODUCT CUSTOMER DRAWING		
10 UNDER	± 0.2			EC NO: 647727
10 OVER 30 UNDER	± 0.25			DRWN: AHMADI2 2020/10/26
30 OVER	± 0.3			CHK'D: HSHIMOYAMA 2020/10/26
ANGULAR ± 3 °				APPR: SHOSHIKAWA 2020/10/26
DRAFT WHERE APPLICABLE MUST REMAIN WITHIN DIMENSIONS		INITIAL REVISION:		
		DRWN: MNABEI 2004/03/04	DOCUMENT NUMBER	
		APPR: MSASAO 2004/03/08	SD-53649-004	
		THIRD ANGLE PROJECTION	DOC TYPE	
		DRAWING	PSD	
		SERIES	DOC PART	
		A3-SIZE	001	
		MATERIAL NUMBER	REVISION	
		53649	J	
		CUSTOMER	SHEET NUMBER	
		GENERAL MARKET	2 OF 2	

140極に対応(ブラリール)
FOR 140 CKT (REEL:POLYSTYRENE)



注)
NOTES

- 製品番号 53649-***72 の詳細寸法については、SD-53649-004 を参照下さい。
IN THE PACKAGE , PART NO. 53649-***72 DETAILED DIMENSIONS , SEE SD-53649-004
- 梱包数量 : 760 個/リール
NUMBER OF CONNECTORS : 760 PCS/REEL
- リードテープ長さ
LEAD TAPE LENGTH



4. トップテープの剥離強度 (剥離方向は下図参照)

PEELING OFF FORCE OF TOP TAPE (PEELING DIRECTION AS SHOWN IN FOLLOWING FIG.)

0.1 - 1.3 N (30,40,60,80,100CKT)

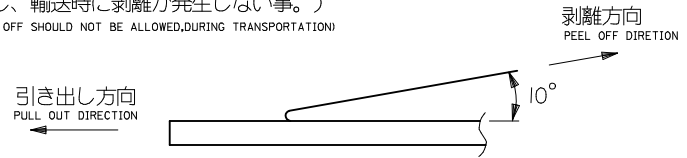
0.1 - 1.5 N (140CKT)

尚、本規格値は、出荷時に適用。

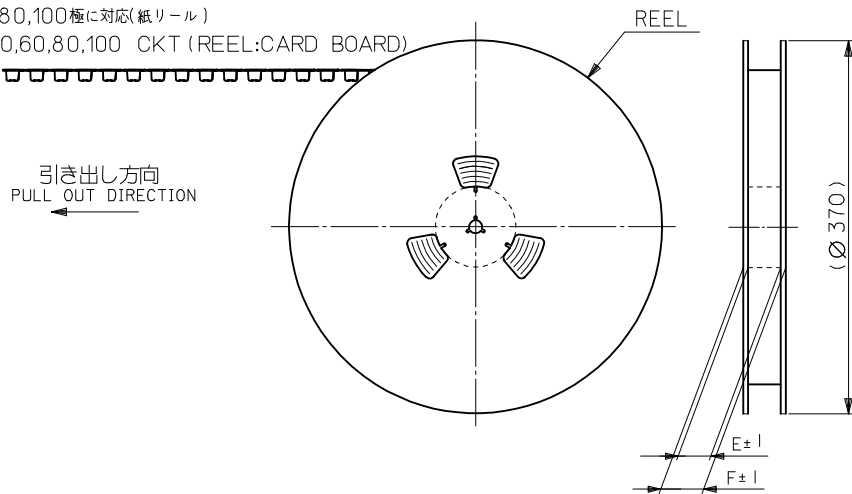
THIS REQUIREMENT SHOULD BE APPLIED AT SHIPMENT

(但し、輸送時に剥離が発生しない事。)

(PEEL OFF SHOULD NOT BE ALLOWED,DURING TRANSPORTATION)



30,40,60,80,100極に対応(紙リール)
FOR 30,40,60,80,100 CKT (REEL:CARD BOARD)



5. 材料

MATERIAL

キャリアテープ : ポリプロピレン (PP)

CARRIER TAPE : POLYPROPYLENE (PP)

トップテープ : PET, PE, PEF

TOP TAPE : PET, PE, P-F

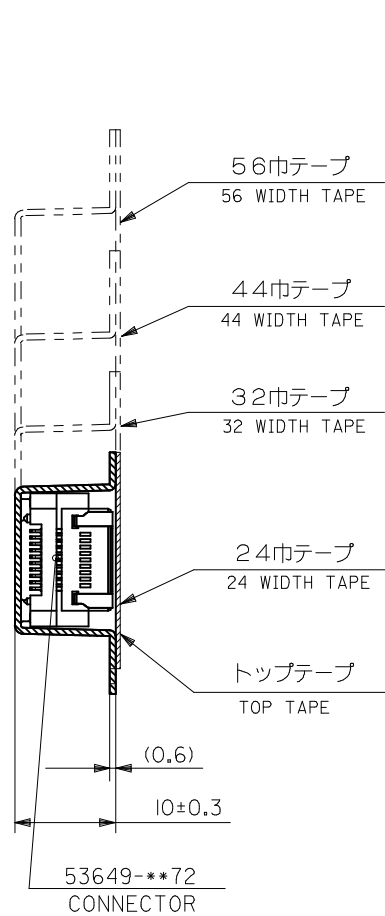
リール : 紙 (30,40,60,80,100極) ポリスチレン (140極)

REEL : CARDBOARD(FOR 30,40,60,80,100CKT) POLYSTYRENE(140CKT)

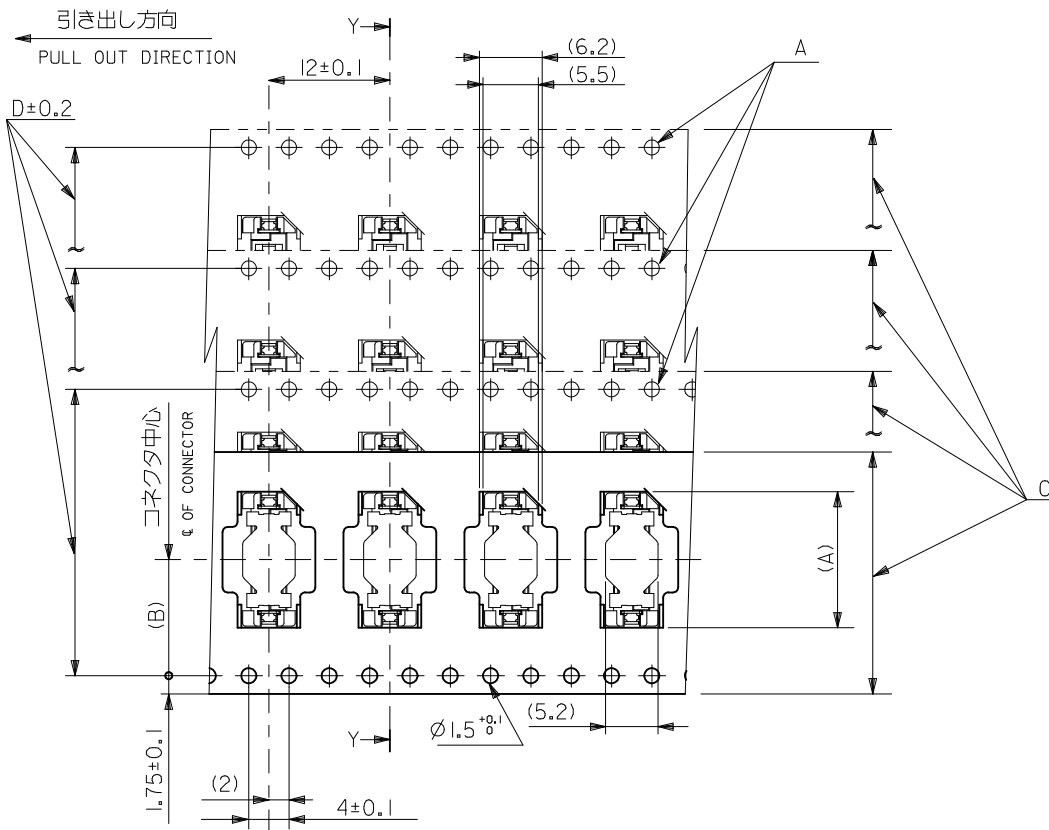
6. 本製品は 53649-***4 の鉛フリー品である。

THIS PRODUCT IS LEAD FREE OF 53649-***4

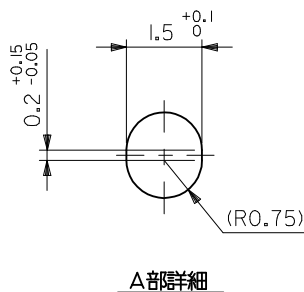
REVISED EC NO.: J2013-1013 2013/03/14 DRW:KTOYODA 2013/03/15 CHKD:TASAKAWA 2013/03/27 APPR:MSASAO	DESCRIPTION D	GENERAL TOLERANCES (UNLESS SPECIFIED)		DIMENSION STYLE MM ONLY		SCALE ---	DESIGN UNITS METRIC	THIRD ANGLE PROJECTION	
		10 UNDER	± ---	DRAWN BY M. NABE I	DATE '04/02/25	TITLE EMBOSSED TAPE PACKAGE FOR 53649-***72 -LEAD FREE-			
		10 OVER 30 UNDER	± ---	CHECKED BY K. TOJO	DATE '04/02/25				
		30 OVER	± ---	APPROVED BY M. SASAO	DATE '04/02/25				
		ANGULAR	± --- °	MATERIAL NO.	DOCUMENT NO.	SHEET NO.			
		DRAFT WHERE APPLICABLE MUST REMAIN WITHIN DIMENSIONS		SEE CHART		SD-53649-005 1 OF 2			
				SIZE A3	THIS DRAWING CONTAINS INFORMATION THAT IS PROPRIETARY TO MOLEX INCORPORATED AND SHOULD NOT BE USED WITHOUT WRITTEN PERMISSION				



断面 Y-Y
SECTION Y-Y



累積ピッチ : 40±0.2
ACCUMULATIVE
PITCH : 40±0.2



A部詳細

78.1	73.5	68.4	72 ^{+0.3}	34.2	51.6	53649-1474	140
61.4	57.4	52.4	56 ^{+0.3}	26.2	38.9	53649-1074	100
49.4	45.4	40.4	44 ^{+0.3}	20.2	32.6	53649-0874	80
37.4	33.4	28.4	32 ^{+0.3}	14.2	26.2	53649-0674	60
29.4	25.4	#	24 ^{+0.3}	11.5	19.9	53649-0474	40
F	E	D	C	キャリアテープ幅 CARRIER TAPE WIDTH	(B)	(A)	MATERIAL NO. 極数 NO. OF CXTS.

MODEL NO. 53649-**74

REVISED EC NO: J2013-1013 2013/03/14 DRW:KTOYODA 2013/03/14 CHK:D.TASAKAWA 2013/03/27 APPR:MSASAO	GENERAL TOLERANCES (UNLESS SPECIFIED)		DIMENSION STYLE MM ONLY		SCALE ---	DESIGN UNITS METRIC		THIRD ANGLE PROJECTION	
	10 UNDER	± ---	DRAWN BY M. NABEI	DATE '04/02/25	TITLE EMBOSSD TAPE PACKAGE FOR 53649-**72 -LEAD FREE-				
	10 OVER 30 UNDER	± ---	CHECKED BY K. TOJO	DATE '04/02/25					
	30 OVER	± ---	APPROVED BY M. SASAO	DATE '04/02/25					
ANGULAR	± --- °	MATERIAL NO.		DOCUMENT NO.		SHEET NO.			
DRAFT WHERE APPLICABLE MUST REMAIN WITHIN DIMENSIONS		SEE CHART		SD-53649-005		2 OF 2			
THIS DRAWING CONTAINS INFORMATION THAT IS PROPRIETARY TO MOLEX INCORPORATED AND SHOULD NOT BE USED WITHOUT WRITTEN PERMISSION									



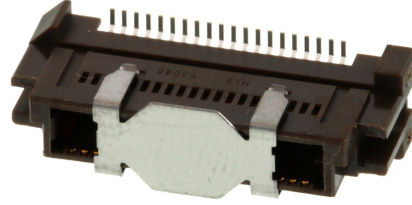
产品编号 : [536490474](#)

Product Description : SlimStack Board-to-Board Connector, 0.635mm Pitch, 0.635 Series, Plug, 9.00 or 15.00mm Mated Height, 6.40mm Mated Width, 40 Circuits

系列号 : 53649

状态 : Active

Product Category : Board-to-Board Connectors



文件和资源

图纸

[图纸 536490474_sd.pdf](#)

3D 模型和设计文件

[3D模型 536490474_stp.zip](#)


规格

[包装规格 SPK-53649-001-001.pdf](#)

[产品规格 527600000-000.pdf](#)

产物环境合规

合规

GADSL/IMDS	Compliant with Exemption 44; 33
China RoHS	
EU ELV	Not Relevant
Low-Halogen Status	Not Low-Halogen per IEC 61249-2-21
REACH SVHC	Not Contained per D(2023)3788-DC (14 Jun 2023)
EU RoHS	Compliant per EU 2015/863

[多部分产品合规性声明](#)

- Eu RoHS
- REACH SVHC
- Low-Halogen

[多部分行业合规性文件](#)

- IPC 1752A Class C
- IPC 1752A Class D
- Molex Product Compliance Declaration
- IEC-62474
- chemSHERPA (xml)

欧盟 RoHS 合格证书

产品详情

常规

状态	活动
类别	Board-to-Board Connectors
系列	53649
说明	SlimStack Board-to-Board Connector, 0.635mm Pitch, 0.635 Series, Plug, 9.00 or 15.00mm Mated Height, 6.40mm Mated Width, 40 Circuits
产品系列	0.635, Floating, Rigid
应用	Board-to-Board, Signal
个评论	Stacking-Type
元件类型	PCB Header
产品系列	SlimStack Board-to-Board/Board-to-FPC Connectors
产品名称	SlimStack
UPC	822348184132

电气

每触点最大电流	0.5A
电压 - 最大	100V

物理

断开	否
回路数 (已载入)	40
电路数 (最多)	40
颜色-树脂	Natural
耐用性(插拔次数) - 最多次数	50
先接后断	否

符合灼热丝规范	否
可配插产品指南	否
插接极性	无
锁定插接部位	是
插配长度	15.00mm, 9.00mm
插配宽度	6.40mm
材料 - 金属	Copper Alloy
材料 - 接合部位电镀	金牌
材料 - 终端电镀	Tin
材料 - 树脂	High Temperature Thermoplastic
净重	761.581/mg
行数	2
方向	垂直
包装形式	Embossed Tape on Reel
PCB 定位器	是
PCB 保持力	是
间距 - 插配接口	0.635mm
最薄镀层 - 接合部位	0.254µm
最薄镀层 - 端接	2.032µm
PCB 极性	是
自动布局	Metal Cap
有护墙的	Fully
运行温度范围	-55° to +105° C
终端界面类型	Surface Mount

可配插/可连接使用的产品

可配插部件

描述	产品编号
0.635mm Pitch Vertical SlimStack Receptacles	<u>52885</u>
0.635mm Pitch Vertical SlimStack Receptacles	<u>52901</u>

This document was generated on Dec 11, 2023