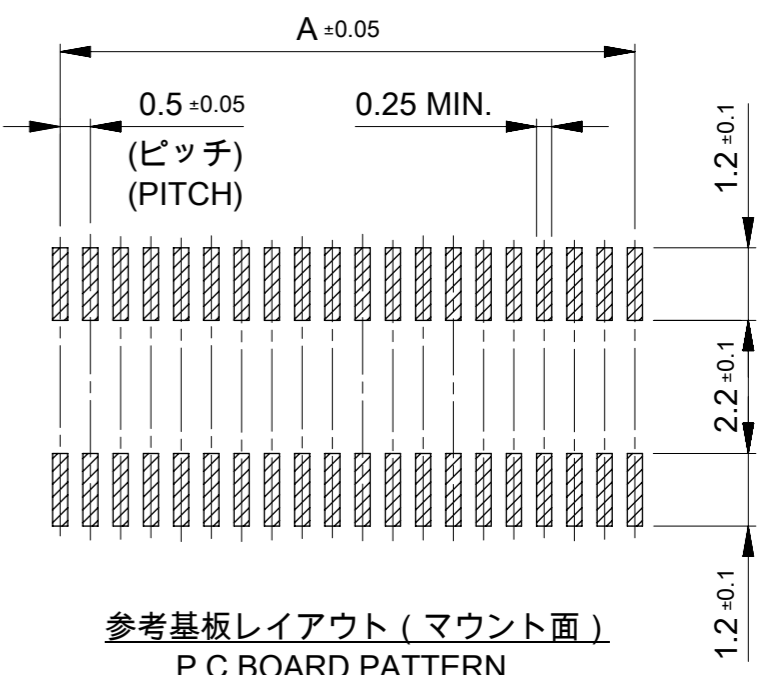
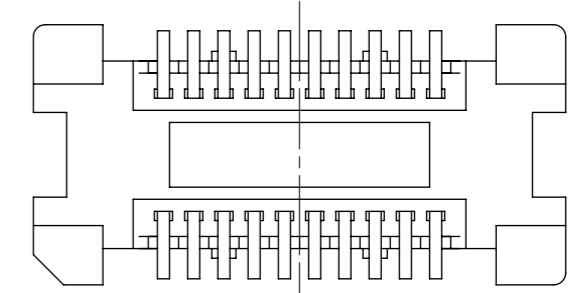
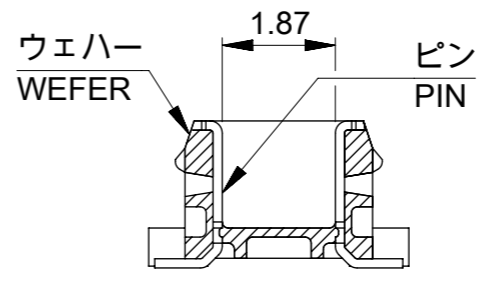
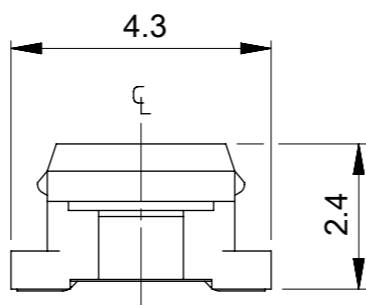
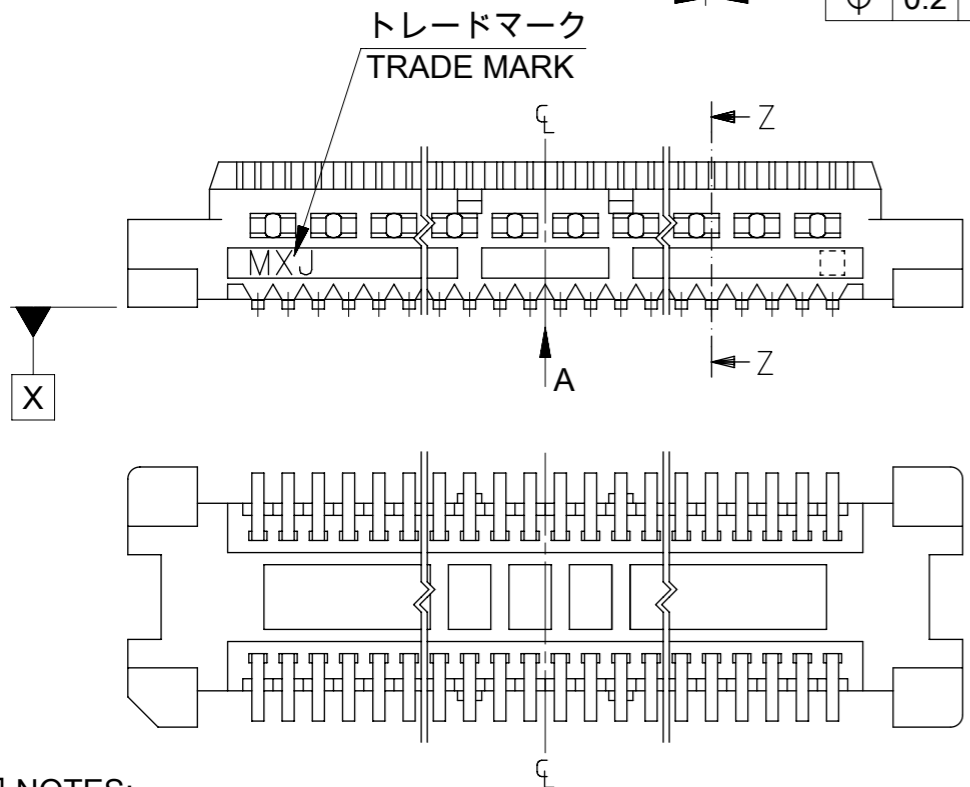


勝特力電材超市-龍山店 886-3-5773766  
 勝特力電材超市-光復店 886-3-5729570  
 勝特力電子(上海) 86-21-34970699  
 勝特力電子(深圳) 86-755-83298787  
<http://www.100y.com.tw>



参考基板レイアウト (マウント面)  
 P.C. BOARD PATTERN  
 DIMENSION. (REF.)  
 (MOUNTING AREA)



VIEW A (CASE OF 20-30CKT)

- 注記 NOTES:
1. 使用材料 MATERIAL  
 ハウジング : LCPガラス入り (白), UL94V-0  
 HOUSING : LCP(G.F.)(COLOR:WHITE), UL94V0  
 ターミナル : 黄銅 (t=0.15)  
 TERMINAL: BRASS (t=0.15)
  2. メッキ仕様 PLATING  
 全体仕上げ : 金メッキ 0.1 MICROMETER MIN.  
 ALL OVER : GOLD 0.1 MICROMETER MIN.  
 下地メッキ : ニッケルメッキ 1.5 MICROMETER MIN.  
 UNDER PLATING : NICKEL 1.5 MICROMETER MIN.
  3. 基準面 X からのソルダーテールの半田付け面のズレ量は、上方向 0 下方向 0.15MAX. とする。  
 MISALIGNMENT OF SOLDER TAIL FROM X  
 : UPPER DIRECTION 0, LOWER DIRECTION 0.15 MAX.  
 △ (全極数/2) = 偶数の場合に適用。  
 APPLY FOR (CIRCUIT/2)=EVEN.
  5. 嵌合相手 : 52991シリーズ (嵌合高さ = 3mm)、54167シリーズ (嵌合高さ = 3mm)  
 MATE WITH: 52991 SERIES (HEIGHT = 3mm), AND 54167 SERIES (HEIGHT = 3mm)
  6. テール平坦度は、0.1MAX.  
 TAIL COPLANARITY TO BE 0.1MAX.
  7. ELV及びRoHS適合品  
 ELV AND RoHS COMPLIANT

|                      |       |      |               |         |
|----------------------|-------|------|---------------|---------|
| 23.8                 | 20.24 | 19.5 | 53748-0808    | 80      |
| 21.3                 | 17.74 | 17   | 53748-0708    | 70      |
| 18.8                 | 15.24 | 14.5 | 53748-0608    | 60      |
| 16.3                 | 12.74 | 12   | 53748-0508    | 50      |
| 13.8                 | 10.24 | 9.5  | 53748-0408    | 40      |
| 11.3                 | 7.74  | 7    | 53748-0308    | 30      |
| 8.8                  | 5.24  | 4.5  | 53748-0208    | 20      |
| C                    | B     | A    | EMBOSSED TAPE | 極数      |
|                      |       |      | ORDER NO.     | CIRCUIT |
| CONNECTOR SERIES NO. |       |      | 53748-***0    |         |

THIS DRAWING CONTAINS INFORMATION THAT IS PROPRIETARY TO MOLEX ELECTRONIC TECHNOLOGIES, LLC AND SHOULD NOT BE USED WITHOUT WRITTEN PERMISSION

CURRENT REV DESC:

**molex**

0.5 MM PITCH B-TO-B CONN.  
 HEIGHT = 3 PLUG

PRODUCT CUSTOMER DRAWING

DOCUMENT NUMBER: SD-53748-002  
 DOC TYPE: PSD  
 DOC PART: 001  
 REVISION: F

EC NO: 739518  
 DRWN: TNAKAGAWA01  
 CHK'D: SMARUYAMA  
 APPR: YNAITO

INITIAL REVISION:  
 DRWN: NAKAMURAA  
 APPR: NUKITA

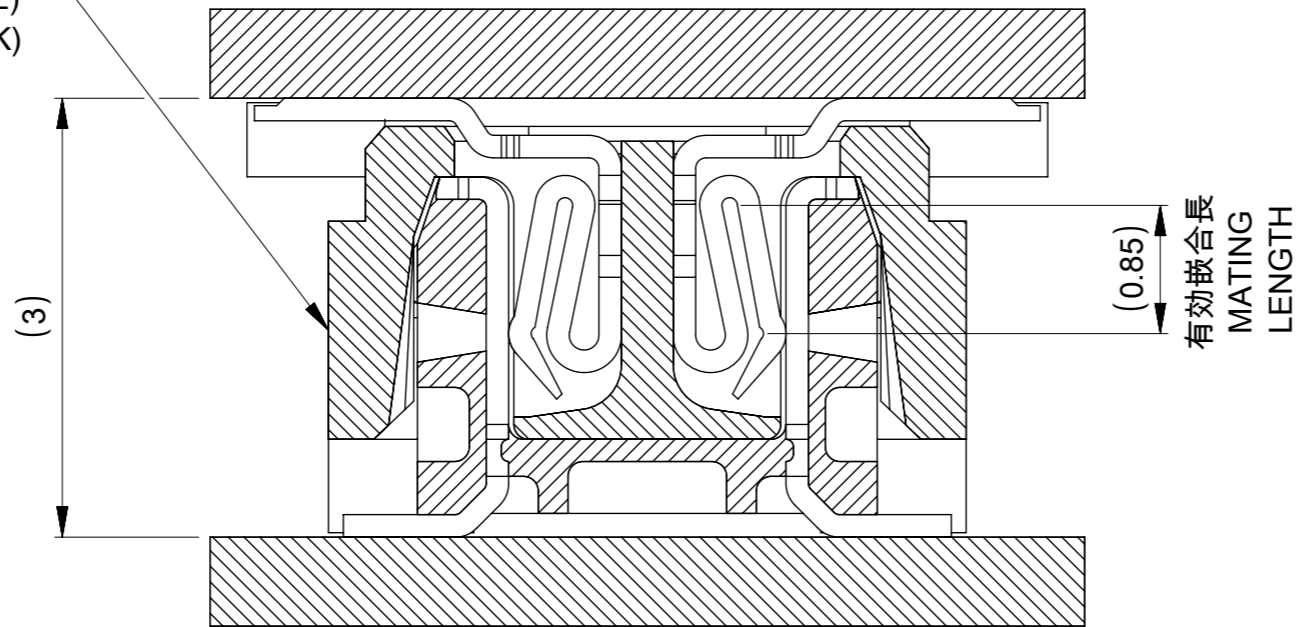
THIRD ANGLE PROJECTION

DRAWING: A3-SIZE  
 SERIES: 53748

MATERIAL NUMBER: SEE TABLE  
 CUSTOMER: GENERAL

SHEET NUMBER: 1 OF 2

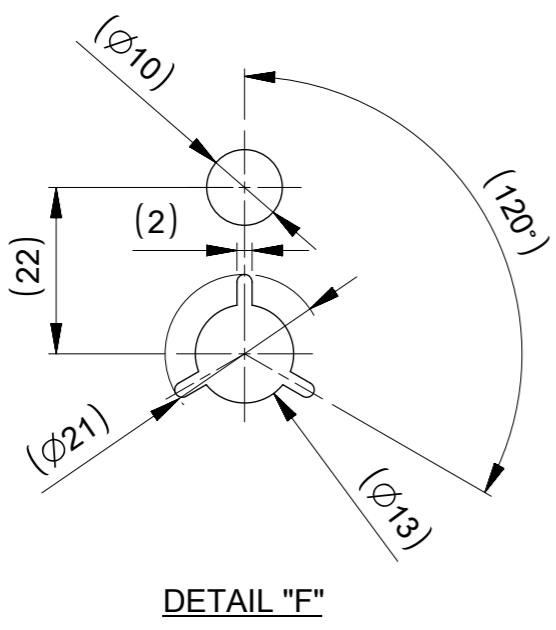
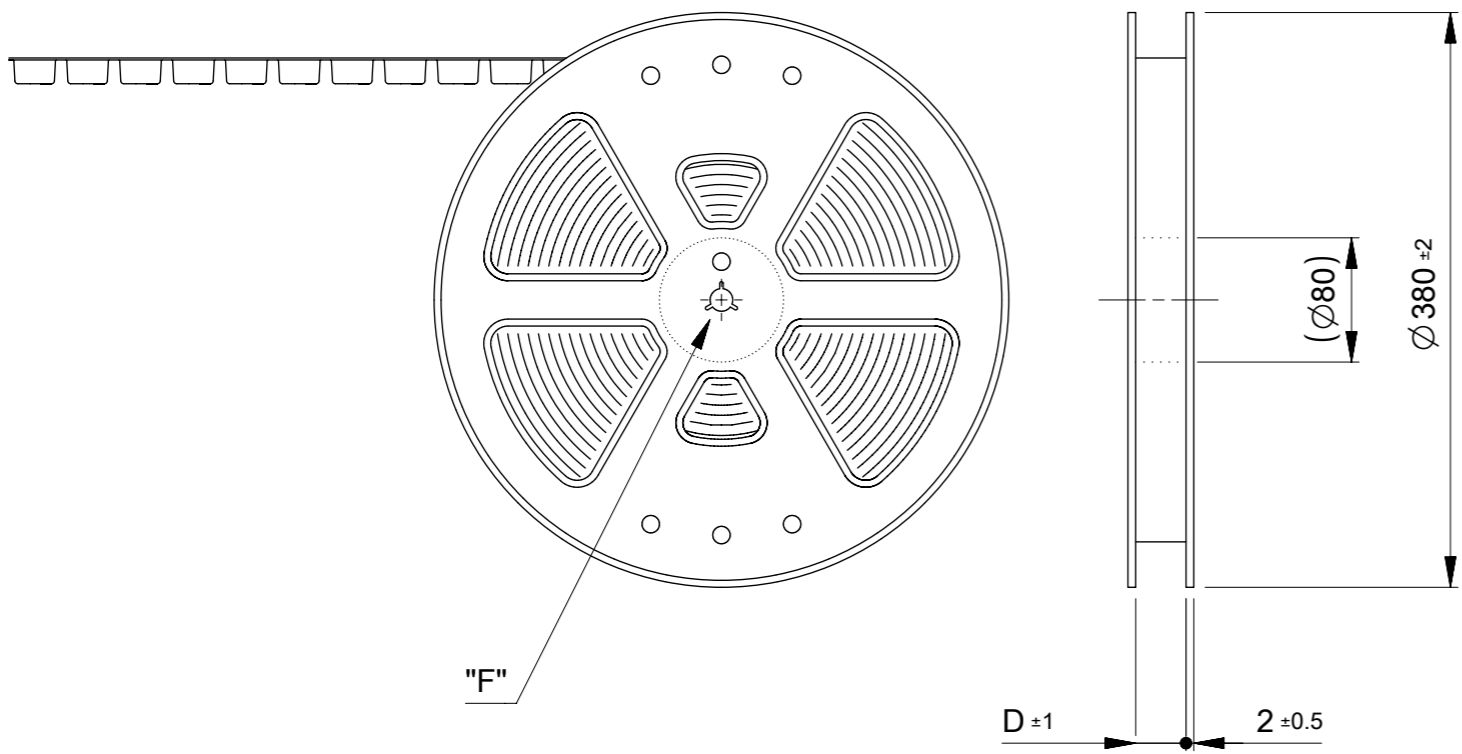
嵌合相手 MATE WITH  
 52991-\*\*\*8 (白 WHITE)  
 52991-\*\*\*2 (白 WHITE)  
 54167-\*\*\*8 (黒 BLACK)



嵌合断面図 (参考)  
 MATED DRAWING (REF.)

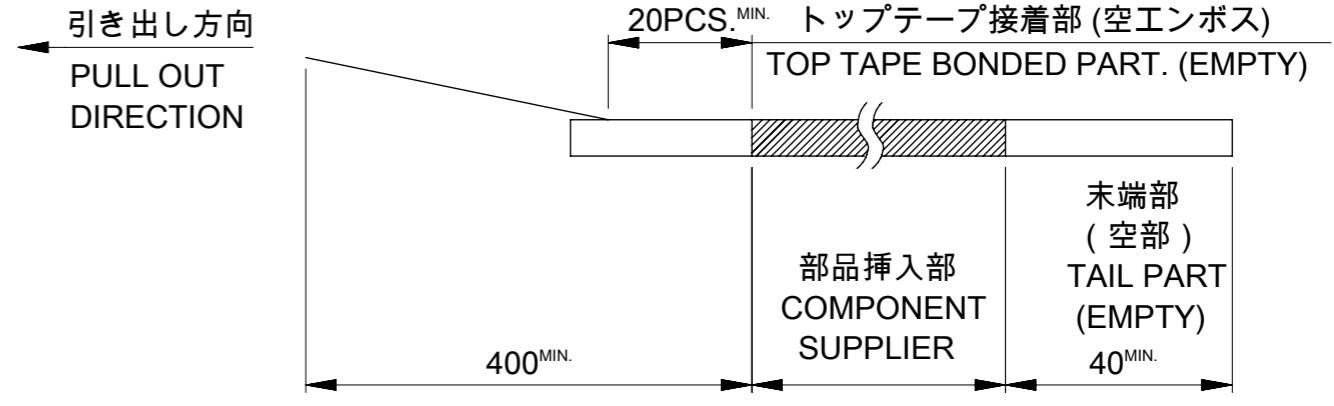
|   |  |       |  |  |  |         |  |          |  |                              |  |  |  |  |  |
|---|--|-------|--|--|--|---------|--|----------|--|------------------------------|--|--|--|--|--|
| THIS DRAWING CONTAINS INFORMATION THAT IS PROPRIETARY TO MOLEX ELECTRONIC TECHNOLOGIES, LLC AND SHOULD NOT BE USED WITHOUT WRITTEN PERMISSION |  |       |  |  |  |         |  |          |  |                              |  |  |  |  |  |
| DIMENSION UNITS   |  | SCALE |  | CURRENT REV DESC:  |  |         |  |          |  |                              |  |  |  |  |  |
| mm  |  | 20:1  |  | <b>molex</b><br>0.5 MM PITCH B-TO-B CONN.<br>HEIGHT = 3 PLUG<br>PRODUCT CUSTOMER DRAWING |  |         |  |          |  |                              |  |  |  |  |  |
| GENERAL TOLERANCES (UNLESS SPECIFIED)   |  |       |  |  |  |         |  |          |  | EC NO: 739518                |  |  |  |  |  |
| ANGULAR TOL ± 30°   |  |       |  |  |  |         |  |          |  | DRWN: TNAKAGAWA01 2023/02/21 |  |  |  |  |  |
| 4 PLACES ± 0.2  |  |       |  |  |  |         |  |          |  | CHK'D: SMARUYAMA 2023/06/02  |  |  |  |  |  |
| 3 PLACES ± 0.25   |  |       |  | APPR: YNAITO 2023/06/02  |  |         |  |          |  |                              |  |  |  |  |  |
| 2 PLACES ± 0.3  |  |       |  | INITIAL REVISION:  |  |         |  |          |  |                              |  |  |  |  |  |
| 1 PLACE ±   |  |       |  | DRWN: NAKAMURAA 2008/12/08   |  |         |  |          |  |                              |  |  |  |  |  |
| 0 PLACES ±  |  |       |  | APPR: NUKITA 2009/01/09  |  |         |  |          |  |                              |  |  |  |  |  |
| GENERAL TOLERANCES (UNLESS SPECIFIED)   |  |       |  | THIRD ANGLE PROJECTION   |  | DRAWING |  | SERIES   |  | MATERIAL NUMBER              |  |  |  |  |  |
| DRAFT WHERE APPLICABLE MUST REMAIN WITHIN DIMENSIONS  |  |       |  | THIRD ANGLE PROJECTION   |  | A3-SIZE |  | 53748    |  | SEE SHEET 1                  |  |  |  |  |  |
| DRAFT WHERE APPLICABLE MUST REMAIN WITHIN DIMENSIONS  |  |       |  | DRAWING  |  | SERIES  |  | CUSTOMER |  | SHEET NUMBER                 |  |  |  |  |  |
| DRAFT WHERE APPLICABLE MUST REMAIN WITHIN DIMENSIONS  |  |       |  | DRAWING  |  | SERIES  |  | CUSTOMER |  | SHEET NUMBER                 |  |  |  |  |  |

引き出し方向  
PULL OUT  
DIRECTION

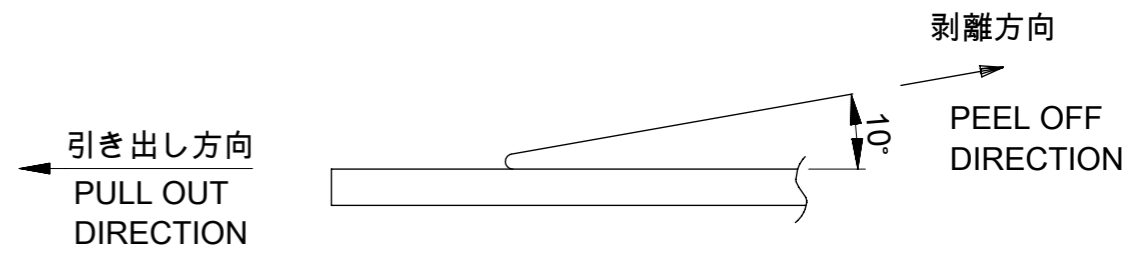


NOTES

- 製品詳細寸法については図面 SD-53748-002を参照下さい。  
DETAIL DIMENSION, SEE SD-53748-002
- 梱包数量 : 3000個 / リール  
NUMBER OF CONNECTORS : 3000PCS/REEL
- リードテープ長さ LEAD TAPE LENGTH



- トップテープの剥離強度 : 0.1N ~ 0.7N(10.2gf ~ 71.4gf)  
(剥離方向は下図参照)  
尚、本規格値は出荷時に適用。(但し、輸送時に剥離が発生しないこと。)  
PEELING OFF FORCE OF TOP TAPE: 0.1N ~ 0.7N(10.2gf ~ 71.4gf)  
(PEELING DIRECTION AS SHOWN IN FOLLOWING FIG.)  
THIS REQUIREMENT SHOULD BE APPLIED AT SHIPMENT.  
PEEL OFF SHOULD NOT BE ALLOWED, DURING TRANSPORTATION.

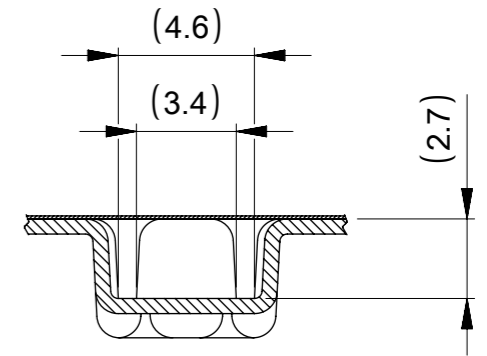
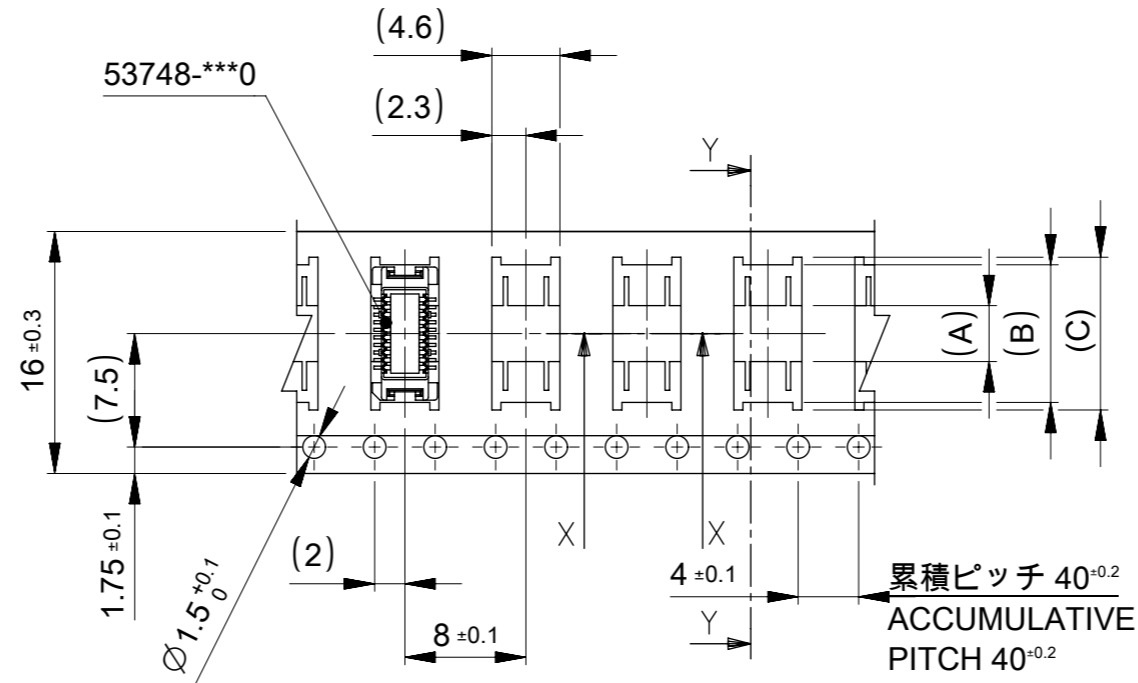
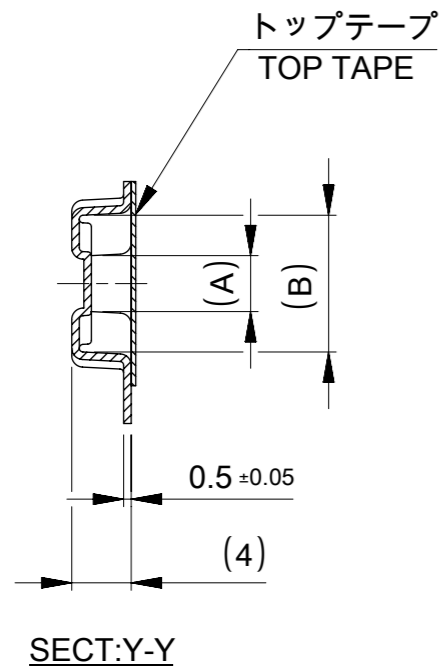


- 材料 ( MATERIAL )  
キャリアテープ ( CARRIER TAPE ) : ポリプロピレン ( POLYPROPYLENE )  
トップテープ ( TOPTAPE ) : PET , PE , PEF  
リール(REEL) : ポリスチレン ( PS ) <リサイクル材を含む>  
POLYSTYREN(PS) <RECYCLE MATERIAL CONTANED>

THIS DRAWING CONTAINS INFORMATION THAT IS PROPRIETARY TO MOLEX ELECTRONIC TECHNOLOGIES, LLC AND SHOULD NOT BE USED WITHOUT WRITTEN PERMISSION

|  |  |  |  |                        |  |  |  |
|--|--|--|--|------------------------|--|--|--|
| DIMENSION UNITS                                      |  | SCALE  |  | CURRENT REV DESC:      |  | <b>molex</b>   |  |
| mm   |  | NTS  |  |                        |  |  |  |
| GENERAL TOLERANCES (UNLESS SPECIFIED)                |  | ANGULAR TOL ± 30°                                    |  | EC NO: 739518          |  | 0.5 MM PITCH B-TO-B CONN.<br>HEIGHT = 3 PLUG EMBOSS TAPE PACKAGE |  |
| 10 <sup>UNDER</sup> ±0.2                             |  | 4 PLACES ± 0.2                                       |  | DRWN: TNAKAGAWA01      |  | 2023/02/21   |  |
| 10 <sup>OVER</sup> 30 <sup>UNDER</sup> ±0.25         |  | 3 PLACES ± 0.25                                      |  | CHK'D: SMARUYAMA       |  | 2023/06/02   |  |
| 30 <sup>OVER</sup> ±0.3                              |  | 2 PLACES ± 0.3                                       |  | APPR: YNAITO           |  | 2023/06/02   |  |
| ANGULAR±3°   |  | 1 PLACE ±  |  | INITIAL REVISION:      |  | DOCUMENT NUMBER  |  |
| DRAFT WHERE APPLICABLE MUST REMAIN WITHIN DIMENSIONS |  | DRAFT WHERE APPLICABLE MUST REMAIN WITHIN DIMENSIONS |  | DRWN: NAKAMURAA        |  | SD-53748-005   |  |
|  |  | 0 PLACES ±   |  | APPR: NUKITA           |  | PSD 001 F  |  |
|  |  |  |  | THIRD ANGLE PROJECTION |  | MATERIAL NUMBER  |  |
|  |  |  |  | DRAWING                |  | CUSTOMER   |  |
|  |  |  |  | A3-SIZE                |  | GENERAL  |  |
|  |  |  |  | SERIES                 |  | SHEET NUMBER   |  |
|  |  |  |  | 53748                  |  | 1 OF 5   |  |

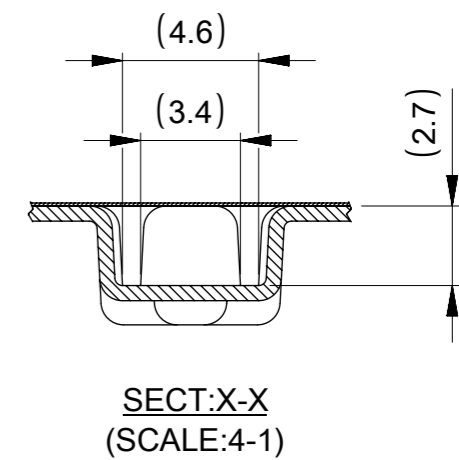
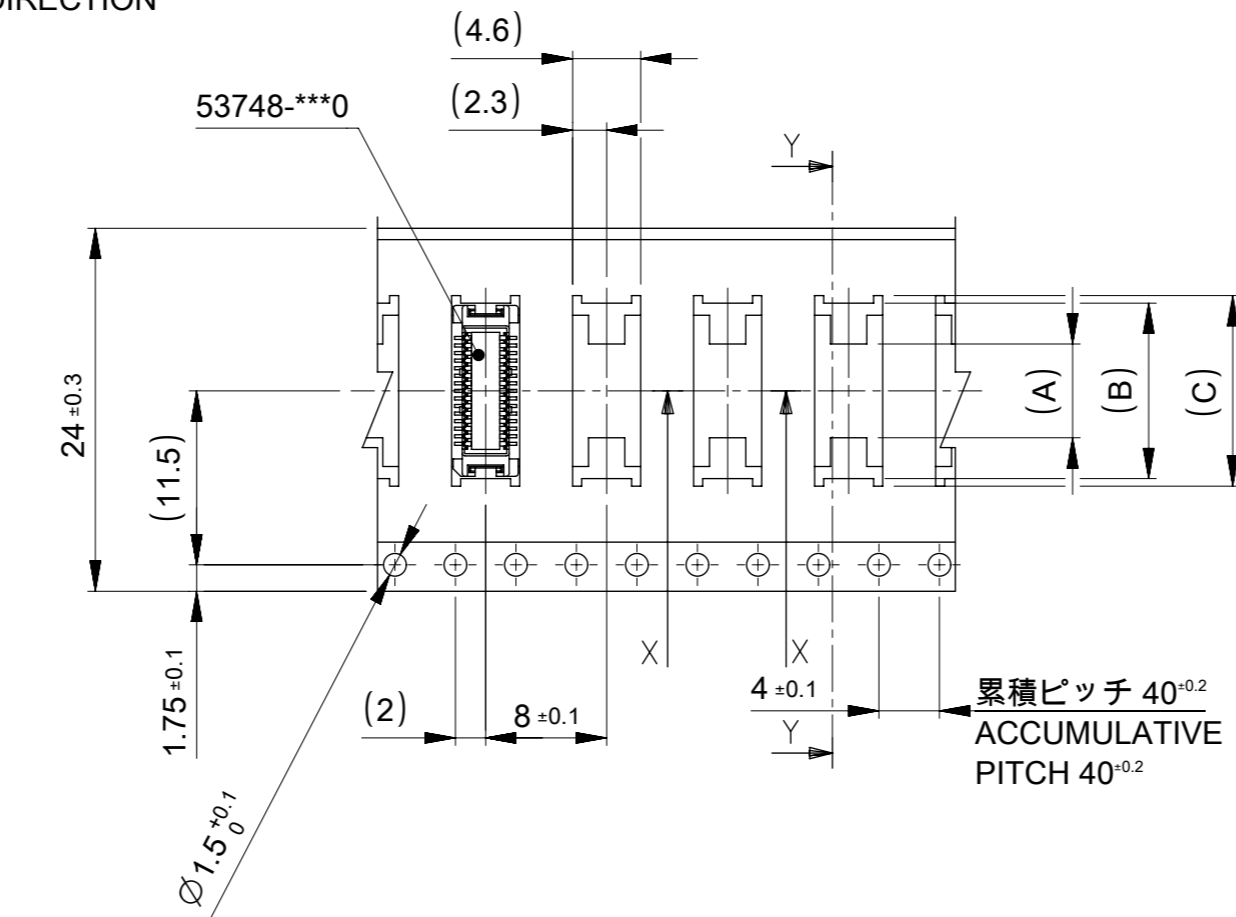
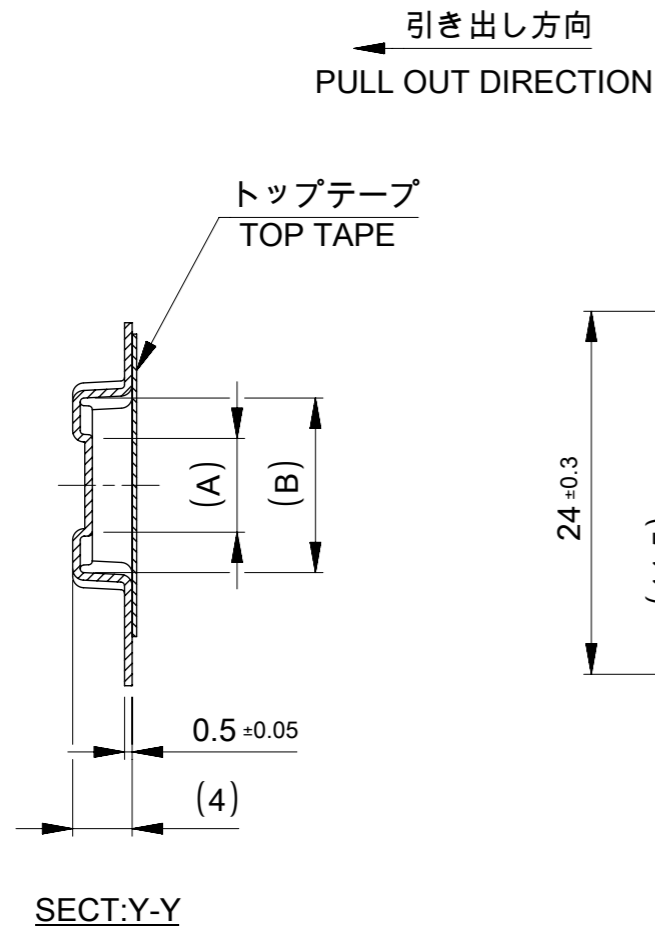
引き出し方向  
PULL OUT DIRECTION



16mm 幅キャリアテープ  
16mm WIDTH CARRIER TAPE

|                                |      |      |     |     |            |                         |
|--------------------------------|------|------|-----|-----|------------|-------------------------|
| 16                             | 17.5 | 10.1 | 9.1 | 3.7 | 53748-0208 | 20                      |
| キャリアテープ幅<br>CARRIER TAPE WIDTH |      | D    | (C) | (B) | (A)        | MATERIAL NO. 極数<br>CKT. |

|   |       |                        |  |                          |  |              |          |
|---|-------|------------------------|--|--------------------------|--|--------------|----------|
| THIS DRAWING CONTAINS INFORMATION THAT IS PROPRIETARY TO MOLEX ELECTRONIC TECHNOLOGIES, LLC AND SHOULD NOT BE USED WITHOUT WRITTEN PERMISSION |       | CURRENT REV DESC:      |  | <b>molex</b>             |  |              |          |
| DIMENSION UNITS   | SCALE | EC NO: 739518          |  |                          |  |              |          |
| mm  | NTS   | DRWN: TNAKAGAWA01      |  | PRODUCT CUSTOMER DRAWING |  |              |          |
| GENERAL TOLERANCES (UNLESS SPECIFIED)   |       | CHK'D: SMARUYAMA       |  | DOCUMENT NUMBER          |  |              |          |
| ANGULAR TOL ± 30°   |       | APPR: YNAITO           |  | SD-53748-005             |  | DOC TYPE     | DOC PART |
| 4 PLACES ± 0.2  |       | INITIAL REVISION:      |  | 2008/12/08               |  | REVISION     |          |
| 3 PLACES ± 0.25   |       | DRWN: NAKAMURAA        |  | 2009/01/09               |  | 001          | F        |
| 2 PLACES ± 0.3  |       | APPR: NUKITA           |  | MATERIAL NUMBER          |  | GENERAL      |          |
| 1 PLACE ±   |       | THIRD ANGLE PROJECTION |  | CUSTOMER                 |  | SHEET NUMBER |          |
| 0 PLACES ±  |       | DRAWING                |  | SERIES                   |  | 2 OF 5       |          |
| DRAFT WHERE APPLICABLE MUST REMAIN WITHIN DIMENSIONS  |       | A3-SIZE                |  | 53748                    |  |              |          |

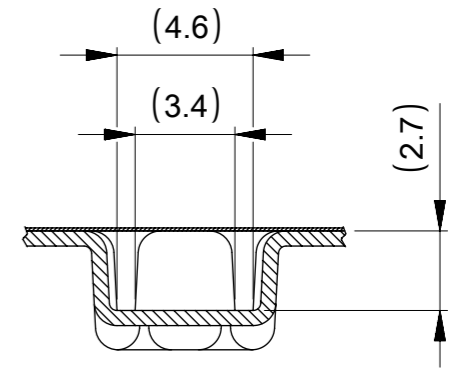
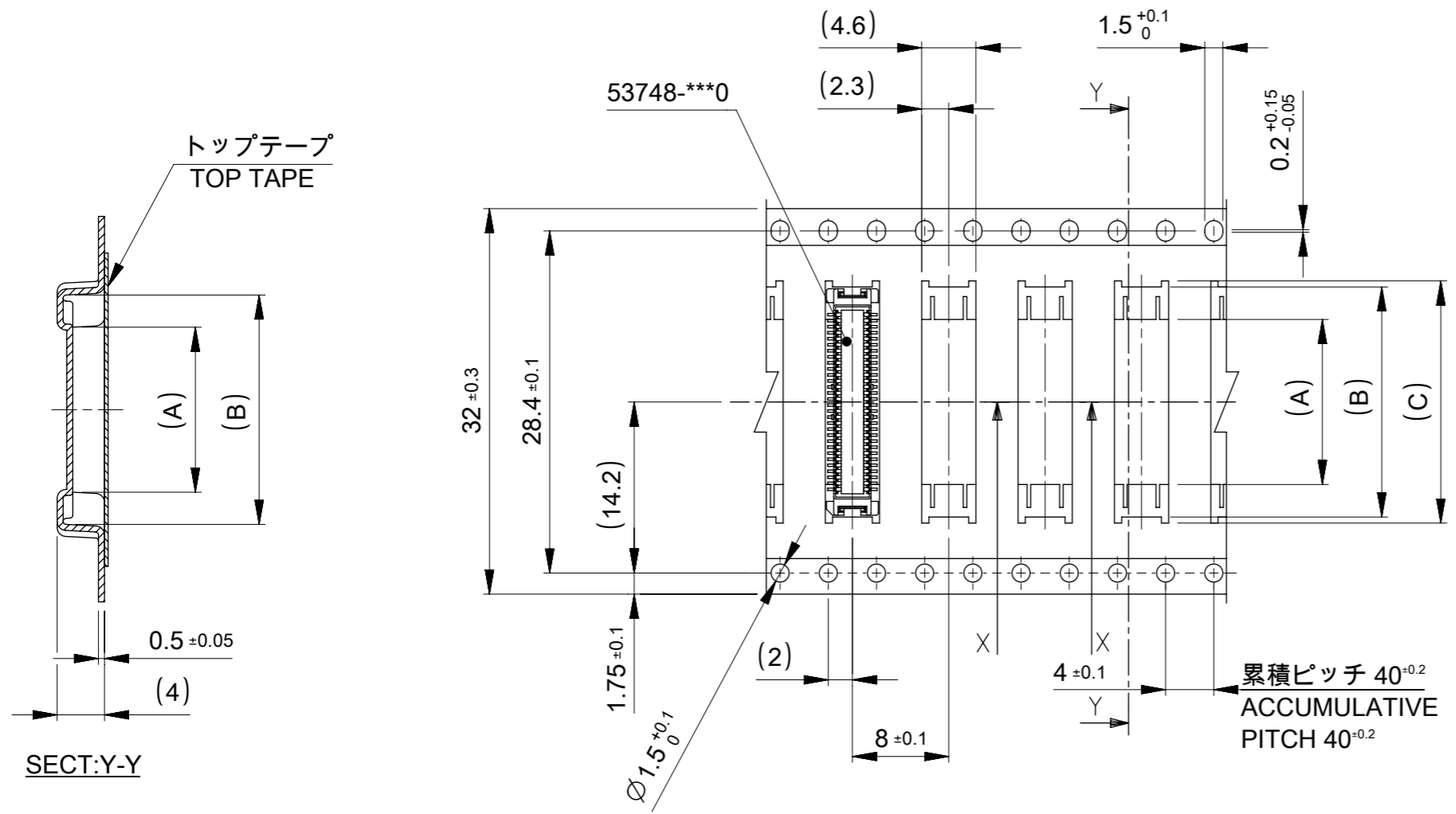


24mm 幅キャリアテープ  
24mm WIDTH CARRIER TAPE

|                                |      |      |      |     |            |                         |
|--------------------------------|------|------|------|-----|------------|-------------------------|
| 24                             | 25.5 | 15.1 | 14.1 | 7.4 | 53748-0408 | 40                      |
|                                |      | 12.6 | 11.6 | 4.9 | 53748-0308 | 30                      |
| キャリアテープ幅<br>CARRIER TAPE WIDTH |      | D    | (C)  | (B) | (A)        | MATERIAL NO. 極数<br>CKT. |

|   |       |                        |  |  |  |
|---|-------|------------------------|--|--|--|
| THIS DRAWING CONTAINS INFORMATION THAT IS PROPRIETARY TO MOLEX ELECTRONIC TECHNOLOGIES, LLC AND SHOULD NOT BE USED WITHOUT WRITTEN PERMISSION |       | CURRENT REV DESC:      |  | <b>molex</b>   |  |
| DIMENSION UNITS   | SCALE | EC NO: 739518          |  |  |  |
| mm  | NTS   | DRWN: TNAKAGAWA01      |  | 0.5 MM PITCH B-TO-B CONN.<br>HEIGHT = 3 PLUG EMBOSS TAPE PACKAGE |  |
| GENERAL TOLERANCES (UNLESS SPECIFIED)   |       | CHK'D: SMARUYAMA       |  | PRODUCT CUSTOMER DRAWING   |  |
| ANGULAR TOL ± 30°   |       | APPR: YNAITO           |  | DOCUMENT NUMBER  |  |
| 4 PLACES ± 0.2  |       | INITIAL REVISION:      |  | SD-53748-005   |  |
| 3 PLACES ± 0.25   |       | DRWN: NAKAMURAA        |  | PSD 001 F  |  |
| 2 PLACES ± 0.3  |       | APPR: NUKITA           |  | MATERIAL NUMBER  |  |
| 1 PLACE ±   |       | SERIES                 |  | CUSTOMER   |  |
| 0 PLACES ±  |       | A3-SIZE                |  | GENERAL  |  |
| DRAFT WHERE APPLICABLE MUST REMAIN WITHIN DIMENSIONS  |       | THIRD ANGLE PROJECTION |  | SHEET NUMBER   |  |
| DRAFT WHERE APPLICABLE MUST REMAIN WITHIN DIMENSIONS  |       | DRAWING                |  | 3 OF 5   |  |

引き出し方向  
PULL OUT DIRECTION



SECT:X-X  
(SCALE:4-1)

SECT:Y-Y

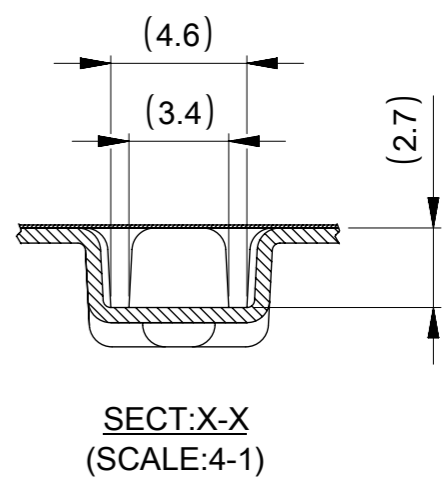
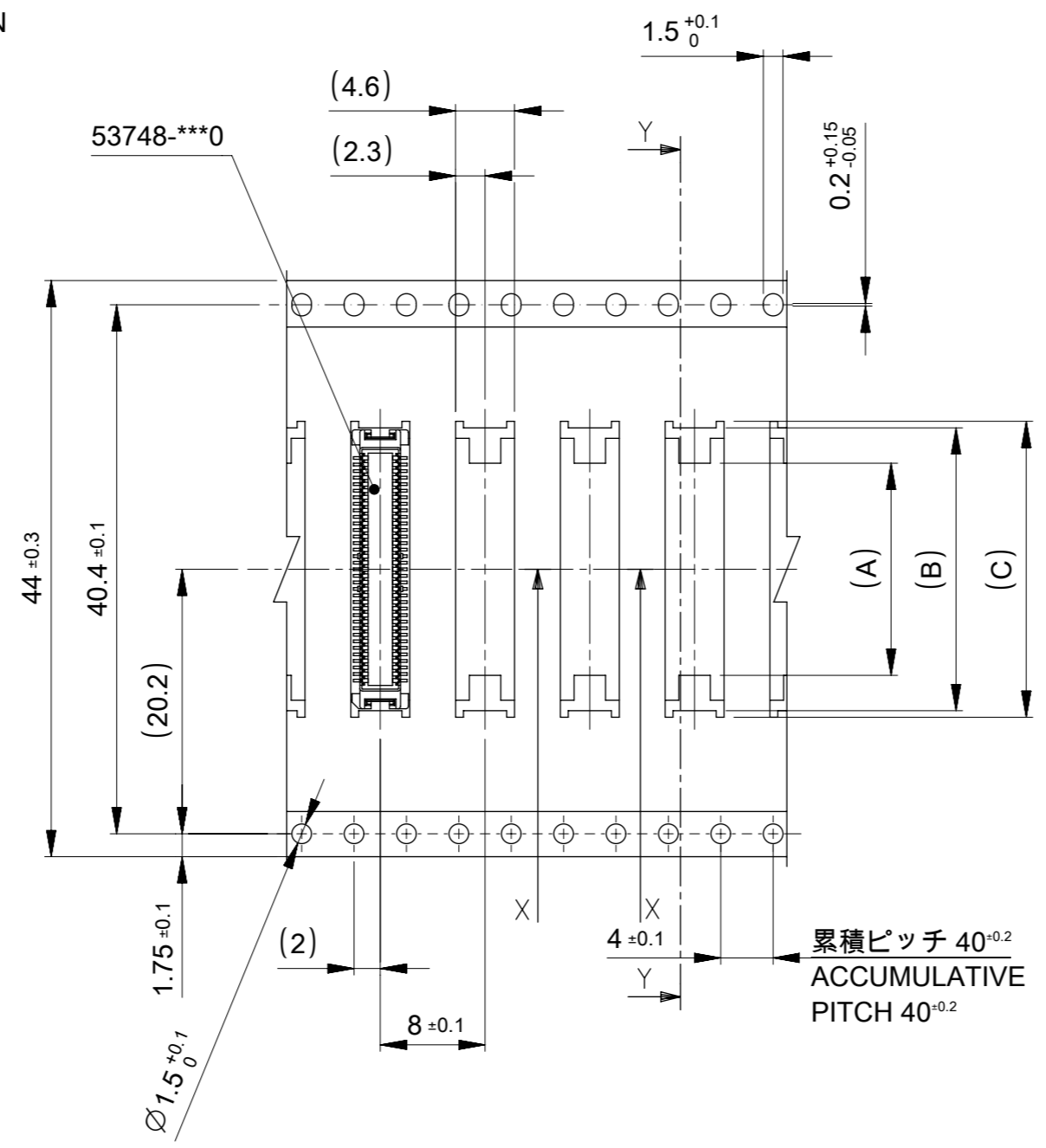
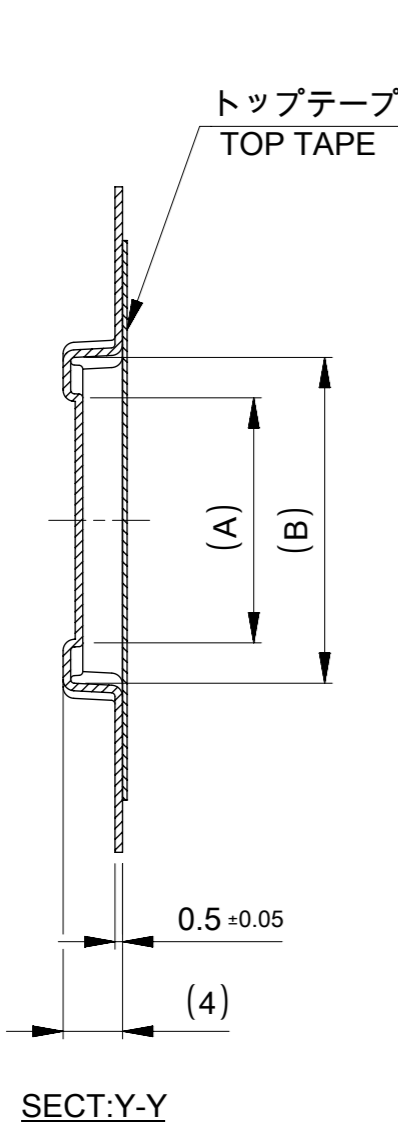
32mm 幅キャリアテープ  
32mm WIDTH CARRIER TAPE

|                                |      |      |      |      |              |            |
|--------------------------------|------|------|------|------|--------------|------------|
| 32                             | 33.5 | 20.1 | 19.1 | 13.7 | 53748-0608   | 60         |
|                                |      | 17.6 | 16.6 | 11.2 | 53748-0508   | 50         |
| キャリアテープ幅<br>CARRIER TAPE WIDTH | D    | (C)  | (B)  | (A)  | MATERIAL NO. | 極数<br>CKT. |

THIS DRAWING CONTAINS INFORMATION THAT IS PROPRIETARY TO MOLEX ELECTRONIC TECHNOLOGIES, LLC AND SHOULD NOT BE USED WITHOUT WRITTEN PERMISSION

|  |  |  |                 |
|--|--|--|-----------------|
| DIMENSION UNITS                                      | SCALE  | CURRENT REV DESC:  |                 |
| mm   | NTS  |  |                 |
| GENERAL TOLERANCES (UNLESS SPECIFIED)                |  | molex  |                 |
| ANGULAR TOL ± 30°                                    |  | 0.5 MM PITCH B-TO-B CONN.<br>HEIGHT = 3 PLUG EMBOSS TAPE PACKAGE |                 |
| GENERAL TOLERANCES (UNLESS SPECIFIED)                | 4 PLACES ± 0.2                                       | EC NO: 739518  | 2023/02/21      |
| 10 <sup>UNDER</sup> ± 0.2                            | 3 PLACES ± 0.25                                      | DRWN: TNAKAGAWA01  | 2023/06/02      |
| 10 <sup>OVER</sup> 30 <sup>UNDER</sup> ± 0.25        | 2 PLACES ± 0.3                                       | CHK'D: SMARUYAMA   | 2023/06/02      |
| 30 <sup>OVER</sup> ± 0.3                             | 1 PLACE ±  | APPR: YNAITO   | 2023/06/02      |
| ANGULAR ± 3°   | 0 PLACES ±   | INITIAL REVISION:  |                 |
| DRAFT WHERE APPLICABLE MUST REMAIN WITHIN DIMENSIONS | DRAFT WHERE APPLICABLE MUST REMAIN WITHIN DIMENSIONS | DRWN: NAKAMURAA  | 2008/12/08      |
|  |  | APPR: NUKITA   | 2009/01/09      |
| THIRD ANGLE PROJECTION                               | DRAWING  | SERIES   | DOCUMENT NUMBER |
|  | A3-SIZE  | 53748  | SD-53748-005    |
|  |  | MATERIAL NUMBER  | CUSTOMER        |
|  |  | SEE TABLE  | GENERAL         |
|  |  | DOC TYPE   | DOC PART        |
|  |  | PSD  | 001             |
|  |  | REVISION   | F               |
|  |  | SHEET NUMBER   | 4 OF 5          |

引き出し方向  
PULL OUT DIRECTION



44mm 幅キャリアテープ  
44mm WIDTH CARRIER TAPE

|                                |      |      |      |      |            |                         |
|--------------------------------|------|------|------|------|------------|-------------------------|
| 44                             | 45.5 | 25.1 | 24.1 | 18.7 | 53748-0808 | 80                      |
|                                |      | 22.6 | 21.6 | 16.2 | 53748-0708 | 70                      |
| キャリアテープ幅<br>CARRIER TAPE WIDTH |      | D    | (C)  | (B)  | (A)        | MATERIAL NO. 極数<br>CKT. |

THIS DRAWING CONTAINS INFORMATION THAT IS PROPRIETARY TO MOLEX ELECTRONIC TECHNOLOGIES, LLC AND SHOULD NOT BE USED WITHOUT WRITTEN PERMISSION

|  |       |  |                            |
|--|-------|--|----------------------------|
| DIMENSION UNITS                                      | SCALE | CURRENT REV DESC:  |                            |
| mm   | NTS   |  |                            |
| GENERAL TOLERANCES (UNLESS SPECIFIED)                |       | molex  |                            |
| ANGULAR TOL ± 30°                                    |       | 0.5 MM PITCH B-TO-B CONN.<br>HEIGHT = 3 PLUG EMBOSS TAPE PACKAGE |                            |
| 4 PLACES ± 0.2                                       |       | EC NO: 739518  |                            |
| 3 PLACES ± 0.25                                      |       | DRWN: TNAKAGAWA01 2023/02/21                                     |                            |
| 2 PLACES ± 0.3                                       |       | CHK'D: SMARUYAMA 2023/06/02                                      |                            |
| 1 PLACE ±  |       | APPR: YNAITO 2023/06/02  |                            |
| 0 PLACES ±   |       | INITIAL REVISION:  |                            |
| DRAFT WHERE APPLICABLE MUST REMAIN WITHIN DIMENSIONS |       | DRWN: NAKAMURAA 2008/12/08                                       |                            |
|  |       | APPR: NUKITA 2009/01/09  |                            |
| THIRD ANGLE PROJECTION                               |       | DRAWING  | SERIES                     |
| DRAFT WHERE APPLICABLE MUST REMAIN WITHIN DIMENSIONS |       | A3-SIZE  | 53748                      |
|  |       | MATERIAL NUMBER  | CUSTOMER                   |
|  |       | SEE TABLE  | GENERAL                    |
|  |       | DOCUMENT NUMBER  | DOC TYPE DOC PART REVISION |
|  |       | SD-53748-005   | PSD 001 F                  |
|  |       | SHEET NUMBER   | 5 OF 5                     |



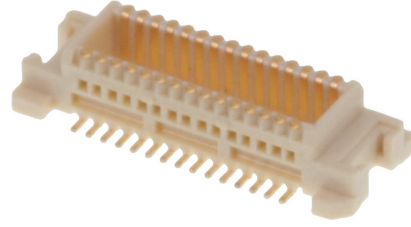
产品编号 : [537480308](#)

Product Description : 0.50mm Pitch SlimStack Plug, Surface Mount, Dual Row, Vertical, 3.00mm Stack Height, 30 Circuits, without Vacuum Pick-up Tape

系列号 : 53748

状态 : Active

Product Category : Board-to-Board Connectors



---

## 文件和资源

### 图纸

[图纸 537480308\\_sd.pdf](#)

### 3D 模型和设计文件

[3D模型 537480308\\_stp.zip](#)

### 规格

[SPK-53748-001-001.pdf](#)

[产品规格 PS-52991-003-001.pdf](#)

---

## 产物环境合规

### 合规

|                    |  |
|--------------------|--|
| GADSL/IMDS         | Not Relevant                                   |
| China RoHS         |  |
| EU ELV             | Not Relevant                                   |
| Low-Halogen Status | Low-Halogen per IEC 61249-2-21                 |
| REACH SVHC         | Not Contained per D(2023)3788-DC (14 Jun 2023) |
| EU RoHS            | Compliant per EU 2015/863                      |

### [多部分产品合规性声明](#)

- Eu RoHS
- REACH SVHC
- Low-Halogen

### [多部分行业合规性文件](#)

- IPC 1752A Class C



- IPC 1752A Class D
- Molex Product Compliance Declaration
- IEC-62474
- chemSHERPA (xml)

欧盟 RoHS 合格证书

## 产品详情

### 常规

|      |   |
|------|---|
| 状态   | 活动  |
| 类别   | Board-to-Board Connectors   |
| 系列   | 53748   |
| 说明   | 0.50mm Pitch SlimStack Plug, Surface Mount, Dual Row, Vertical, 3.00mm Stack Height, 30 Circuits, without Vacuum Pick-up Tape |
| 产品系列 | 0.5, BB H3/4  |
| 应用   | Board-to-Board, Signal  |
| 元件类型 | PCB Header  |
| 产品系列 | SlimStack Board-to-Board/Board-to-FPC Connectors  |
| 产品名称 | SlimStack   |
| UPC  | 800754359559  |

### 电气

|         |      |
|---------|------|
| 每触点最大电流 | 0.5A |
| 电压 - 最大 | 50V  |

### 物理

|           |    |
|-----------|----|
| 断开        | 否  |
| 回路数 (已载入) | 30 |
| 电路数 (最多)  | 30 |
| 先接后断      | 否  |
| 符合灼热丝规范   | 否  |
| 可配插产品指南   | 否  |
| 插接极性      | 无  |
| 锁定插接部位    | 无  |

|             |                       |
|-------------|-----------------------|
| 插配长度        | 3.00mm                |
| 插配宽度        | 5.40mm                |
| 材料 - 金属     | Brass                 |
| 材料 - 接合部位电镀 | 金牌                    |
| 材料 - 终端电镀   | 金牌                    |
| 净重          | 88.619/mg             |
| 行数          | 2                     |
| 方向          | 垂直                    |
| 包装形式        | Embossed Tape on Reel |
| PCB 定位器     | 否                     |
| PCB 保持力     | 无                     |
| 间距 - 插配接口   | 0.50mm                |
| 最薄镀层 - 接合部位 | 0.102µm               |
| PCB 极性      | 否                     |
| 有护墙的        | Fully                 |
| 运行温度范围      | -40° to +105° C       |
| 终端界面类型      | Surface Mount         |

---

## 可配插/可连接使用的产品

### 可配插部件

| 描述  | 产品编号         |
|---|--------------|
| 0.50mm Pitch Vertical SlimStack Receptacles | <u>52991</u> |
| 0.50mm Pitch Vertical SlimStack Receptacles | <u>54167</u> |