



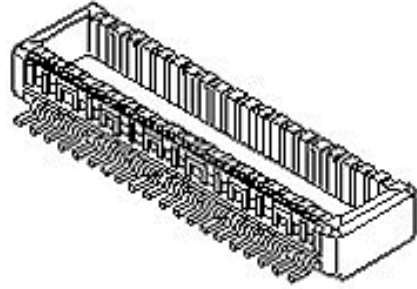
产品编号 : [538850608](#)

Product Description : 0.50mm Pitch SlimStack Plug, Surface Mount, Dual Row, Vertical, 2.50mm Stack Height, without Solder Tab, 60 Circuits

系列号 : 53885

状态 : Active

Product Category : Board-to-Board Connectors



---

## 文件和资源

### 图纸

[图纸 538850608\\_sd.pdf](#)

### 3D 模型和设计文件

[3D模型 538850608\\_stp.zip](#)

### 规格

[包装规格 SPK-53885-001-001.pdf](#)

[产品规格 PS-54102-011-001.pdf](#)

---

## 产物环境合规

### 合规

GADSL/IMDS	Not Relevant
China RoHS	
EU ELV	Not Relevant
Low-Halogen Status	Low-Halogen per IEC 61249-2-21
REACH SVHC	Not Contained per D(2023)3788-DC (14 Jun 2023)
EU RoHS	Compliant per EU 2015/863

### [多部分产品合规性声明](#)

- Eu RoHS
- REACH SVHC
- Low-Halogen

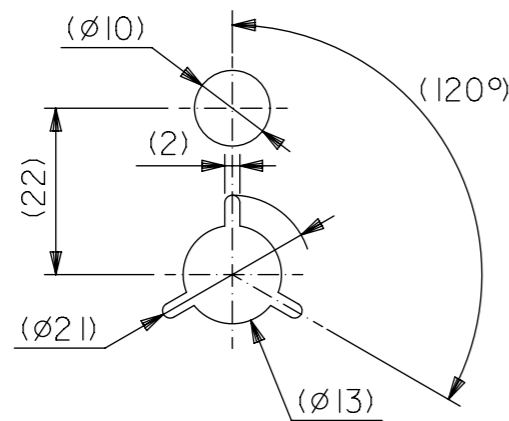
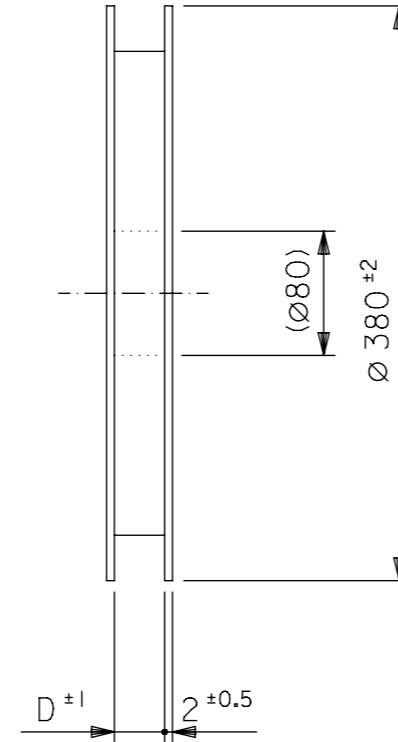
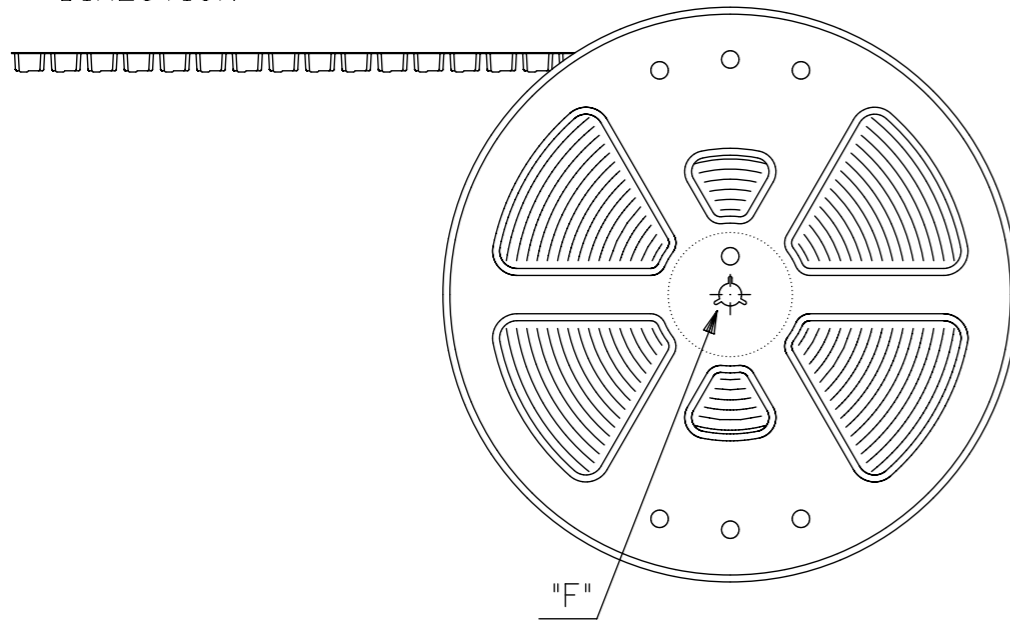
### [多部分行业合规性文件](#)

- IPC 1752A Class C

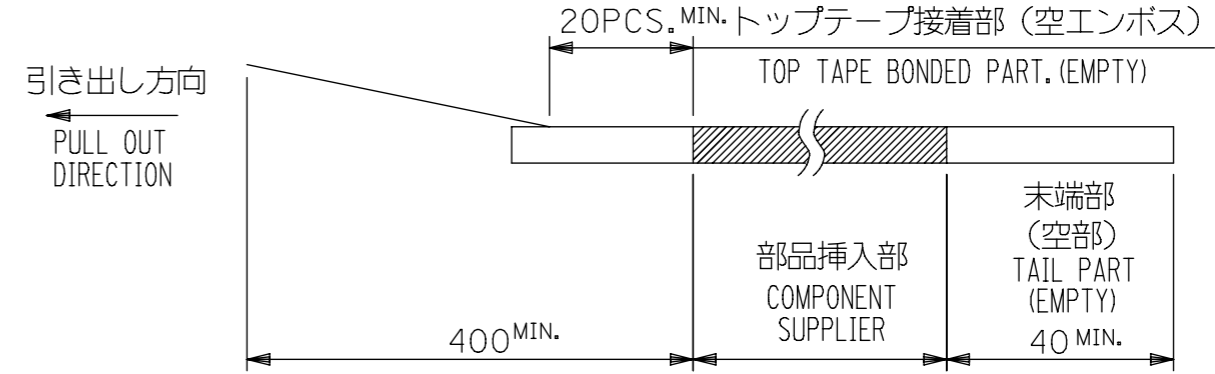
NOTES

- 製品詳細寸法については図面 538851000-SD を参照下さい。  
 DETAILED DIMENSION, SEE 538851000-SD
- 梱包数量：3000個/リール  
 NUMBER OF CONNECTORS : 3000PCS/REEL
- リードテープ長さ LEAD TAPE LENGTH

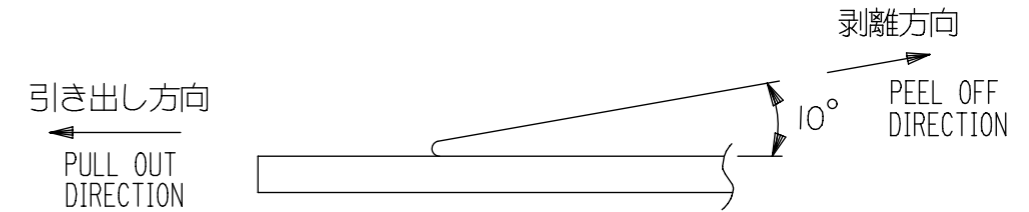
引き出し方向  
 PULL OUT  
 DIRECTION



DETAIL "F"



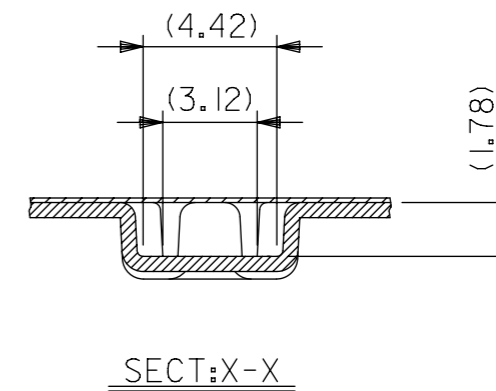
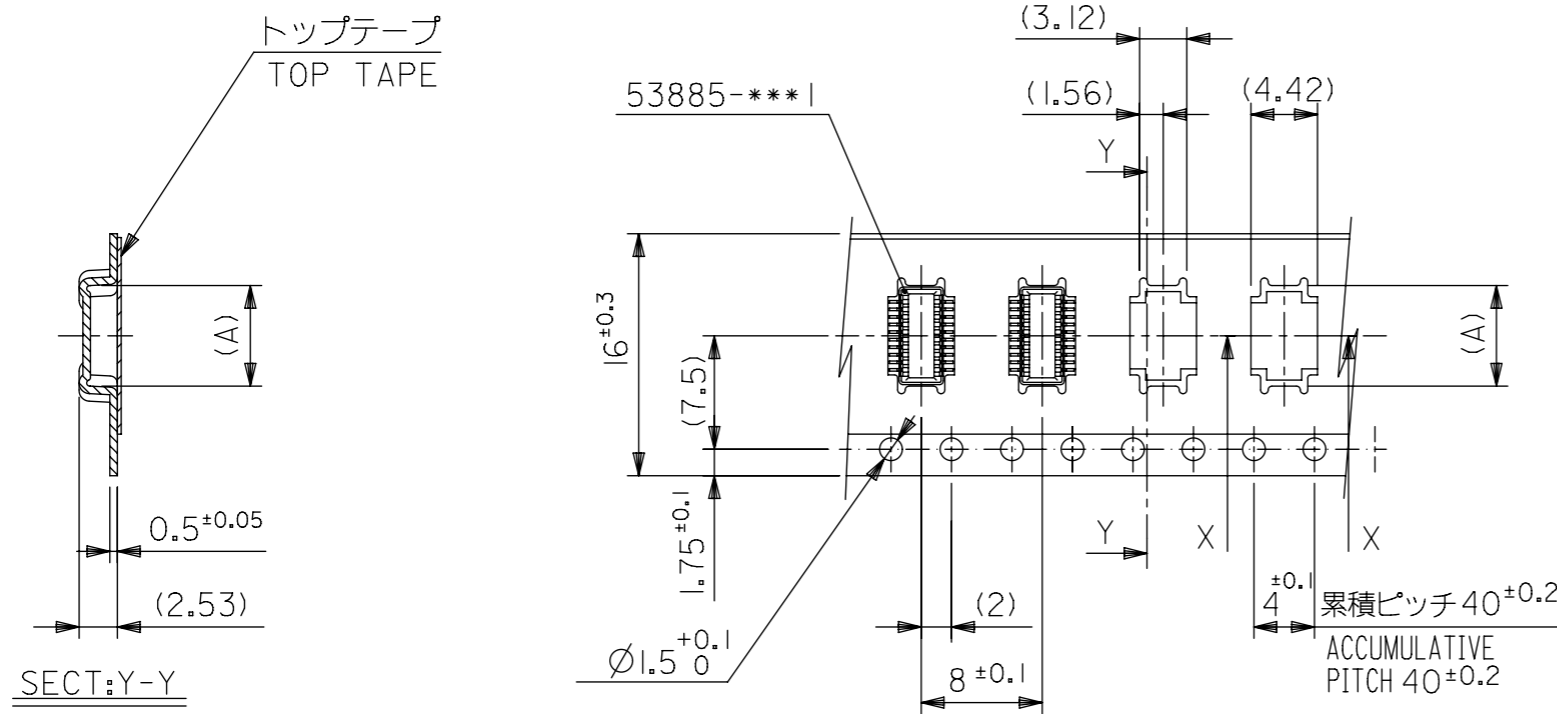
- トップテープの剥離強度：0.1N ~ 0.7N(10.2gf ~ 71.4gf)  
 (剥離方向は下図参照)  
 尚、本規格値は出荷時に適用。(但し、輸送時に剥離が発生しないこと。)  
 PEELING OFF FORCE OF TOP TAPE : 0.1N ~ 0.7N(10.2gf ~ 71.4gf)  
 (PEELING DIRECTION AS SHOWN IN FOLLOWING FIG.)  
 THIS REQUIREMENT SHOULD BE APPLIED AT SHIPMENT.  
 PEEL OFF SHOULD NOT BE ALLOWED , DURING TRANSPORTATION.



- 材料(MATERIAL)  
 キャリアテープ(CARRIER TAPE)：ポリプロピレン(POLYPROPYLENE)  
 トップテープ(TOPTAPE)：PET , PE , PEF  
 リール(REEL)：ポリスチレン (PS) <リサイクル材を含む>  
 POLYSTYREN(PS) <RECYCLE MATERIAL CONTAINED>

THIS DRAWING CONTAINS INFORMATION THAT IS PROPRIETARY TO MOLEX ELECTRONIC TECHNOLOGIES, LLC AND SHOULD NOT BE USED WITHOUT WRITTEN PERMISSION		CURRENT REV DESC: REDRWAN AND REVISED		<b>molex</b>	
0.5 MM PITCH B-TO-B CONN. HEIGHT = 2.5 PLUG EMBOSS TAPE PACKAGE		PRODUCT CUSTOMER DRAWING			
GENERAL TOLERANCES (UNLESS SPECIFIED)		EC NO: 642297		DOCUMENT NUMBER	
ANGULAR TOL ±		DRWN: TNAKAGAWA01		538850000-SD	
4 PLACES ±		CHK'D: HSHIMUYAMA		DOC TYPE	
3 PLACES ±		APPR: SHOSHIKAWA		PSD	
2 PLACES ±		INITIAL REVISION:		DOC PART	
1 PLACE ±		DRWN: TNAKAGAWA01		000	
0 PLACES ±		APPR: SHOSHIKAWA		REVISION	
ANGULAR ±3°		SERIES		A	
DRAFT WHERE APPLICABLE MUST REMAIN WITHIN DIMENSIONS		THIRD ANGLE PROJECTION		MATERIAL NUMBER	
		DRAWING		CUSTOMER	
		A3-SIZE		GENERAL	
		SERIES		SHEET NUMBER	
		53885		1 OF 4	

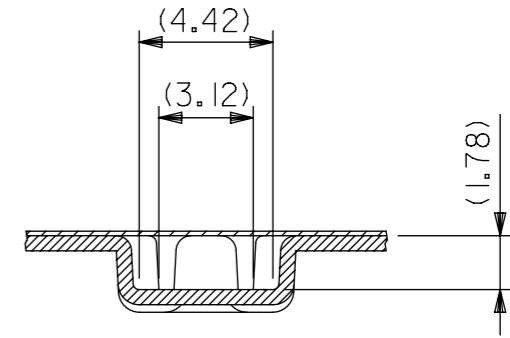
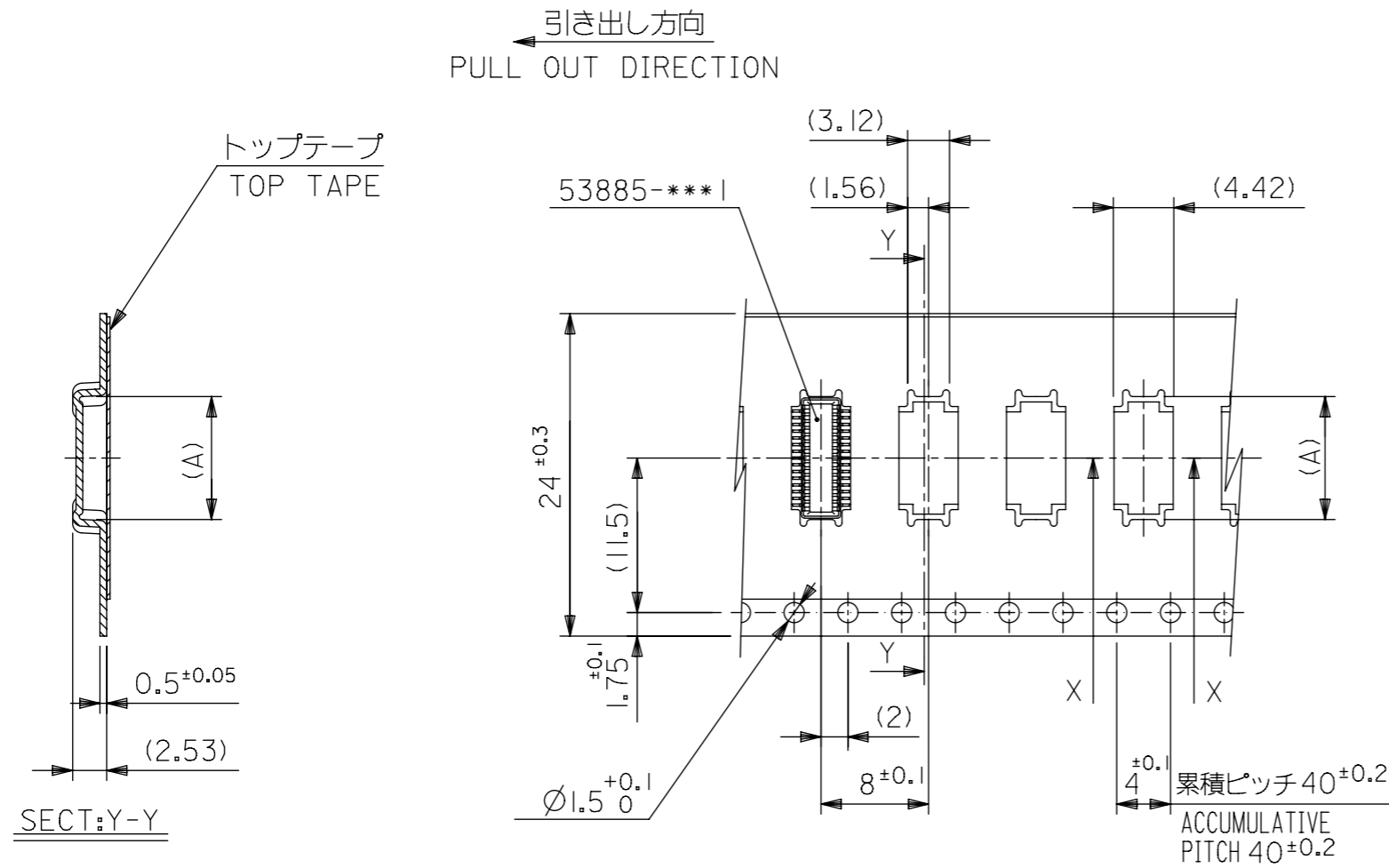
引き出し方向  
PULL OUT DIRECTION



16mm幅キャリアテープ  
16mm WIDTH CARRIER TAPE

16	17.4	6.65	53885-0208	20
キャリアテープ幅 CARRIER TAPE WIDTH	D	(A)	EMBOSSED TAPE PACKAGE オーダー番号 ORDER No.	極数 CIRCUITS

THIS DRAWING CONTAINS INFORMATION THAT IS PROPRIETARY TO MOLEX ELECTRONIC TECHNOLOGIES, LLC AND SHOULD NOT BE USED WITHOUT WRITTEN PERMISSION		CURRENT REV DESC: REDRWAN AND REVISED		<b>molex</b>	
GENERAL TOLERANCES (UNLESS SPECIFIED)		GENERAL TOL ±			
10 <sup>UNDER</sup>		±0.2		EC NO: 642297	
10 <sup>OVER</sup> 30 <sup>UNDER</sup>		±0.25		DRWN: TNAKAGAWA01 2020/08/31	
30 <sup>OVER</sup>		±0.3		CHK'D: HSHIMOYAMA 2020/11/30	
ANGULAR ±3°		0 PLACES ±		APPR: SHOSHIKAWA 2020/11/30	
DRAFT WHERE APPLICABLE MUST REMAIN WITHIN DIMENSIONS		DRAFT WHERE APPLICABLE MUST REMAIN WITHIN DIMENSIONS		INITIAL REVISION:	
		THIRD ANGLE PROJECTION		DRWN: TNAKAGAWA01 2020/08/31	
		DRAWING		APPR: SHOSHIKAWA 2020/11/30	
DOCUMENT STATUS		P1		RELEASE DATE 2020/11/30 03:37:50	
SERIES		A3-SIZE		53885	
MATERIAL NUMBER		SEE TABLE		CUSTOMER GENERAL	
DOCUMENT NUMBER		538850000-SD		DOC TYPE PSD	
DOC PART		000		REVISION A	
SHEET NUMBER		2 OF 4			



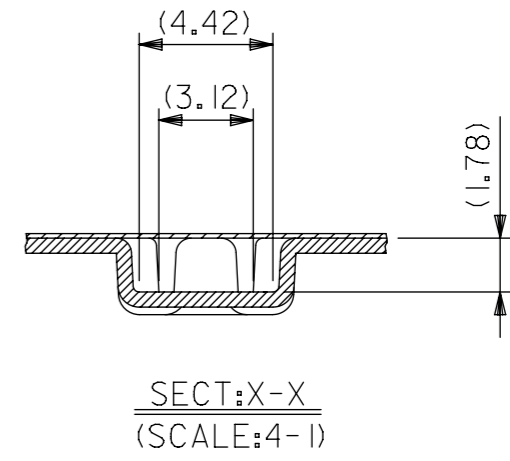
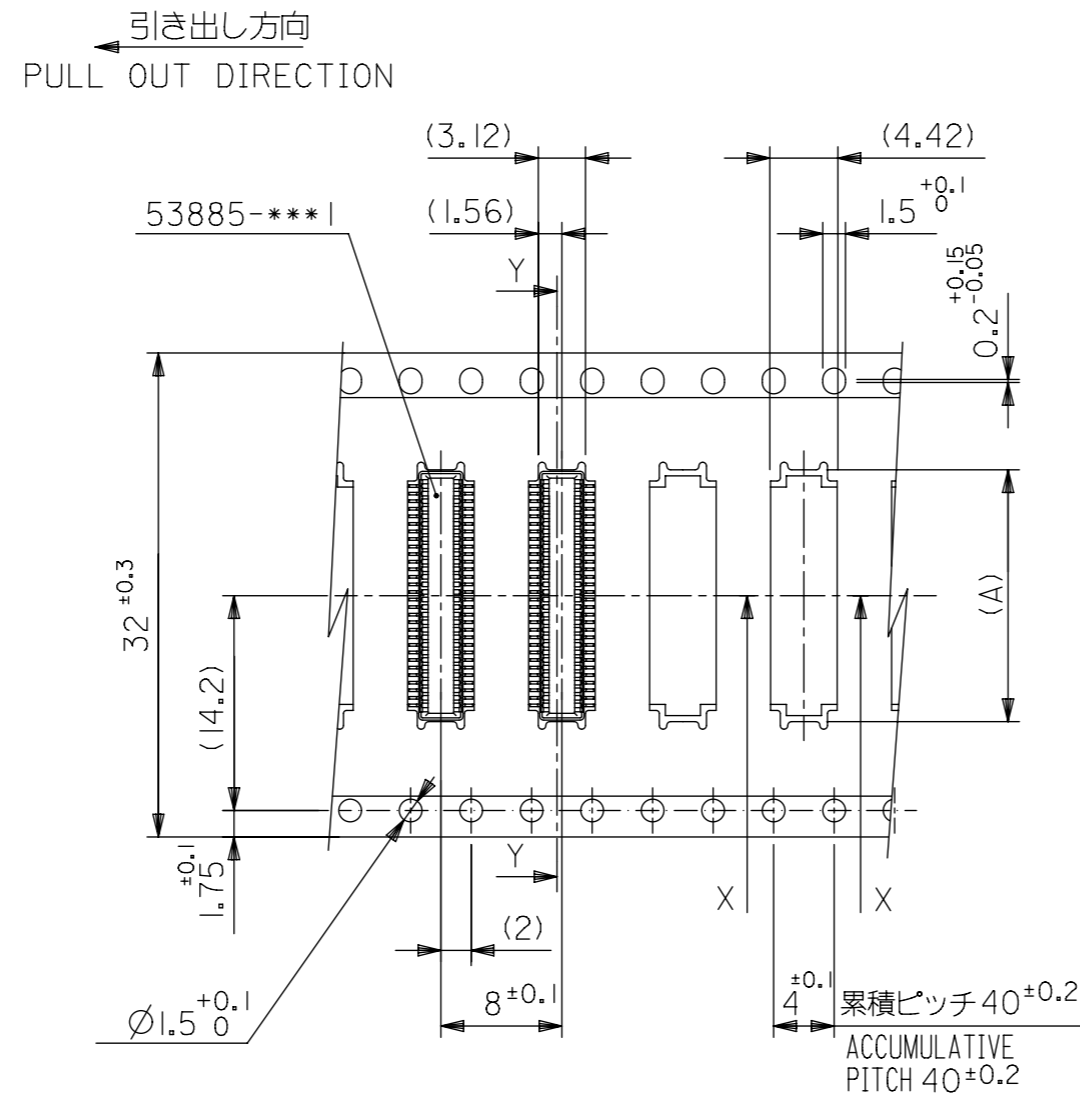
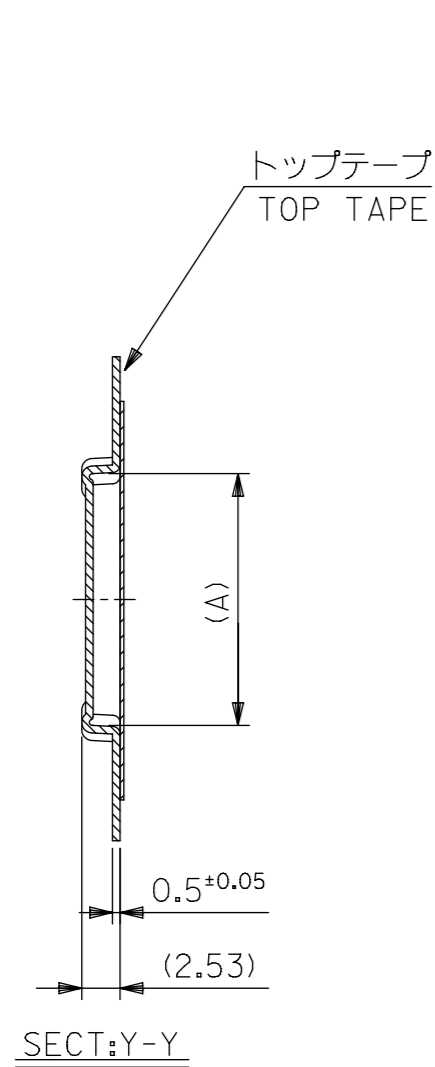
24mm幅キャリアテープ  
24mm WIDTH CARRIER TAPE

24	25.4	14.15	53885-0508	50
		11.65	53885-0408	40
		9.15	53885-0308	30
キャリアテープ幅 CARRIER TAPE WIDTH	D	(A)	EMBOSSED TAPE PACKAGE	極数
			オーダー番号 ORDER No.	CIRCUITS

THIS DRAWING CONTAINS INFORMATION THAT IS PROPRIETARY TO MOLEX ELECTRONIC TECHNOLOGIES, LLC AND SHOULD NOT BE USED WITHOUT WRITTEN PERMISSION

DIMENSION UNITS mm	SCALE NTS	CURRENT REV DESC: REDRWAN AND REVISED	
GENERAL TOLERANCES (UNLESS SPECIFIED)		<b>molex</b> 0.5 MM PITCH B-TO-B CONN. HEIGHT = 2.5 PLUG EMBOSS TAPE PACKAGE	
ANGULAR TOL ±			
GENERAL TOLERANCES (UNLESS SPECIFIED)	ANGULAR TOL ±	EC NO: 642297	
10 <sup>UNDER</sup>	±0.2	DRWN: TNAKAGAWA01	2020/08/31
10 <sup>OVER</sup> 30 <sup>UNDER</sup>	±0.25	CHK'D: HSHIMUYAMA	2020/11/30
30 <sup>OVER</sup>	±0.3	APPR: SHOSHIKAWA	2020/11/30
ANGULAR ±3°	0 PLACES ±	INITIAL REVISION:	
DRAFT WHERE APPLICABLE MUST REMAIN WITHIN DIMENSIONS	DRAFT WHERE APPLICABLE MUST REMAIN WITHIN DIMENSIONS	DRWN: TNAKAGAWA01	2020/08/31
		APPR: SHOSHIKAWA	2020/11/30
THIRD ANGLE PROJECTION	DRAWING	SERIES	MATERIAL NUMBER
	A3-SIZE	53885	SEE TABLE
		CUSTOMER	SHEET NUMBER
		GENERAL	3 OF 4

DOCUMENT NUMBER: 538850000-SD  
DOC TYPE: PSD  
DOC PART: 000  
REVISION: A



32mm幅キャリアテープ  
32mm WIDTH CARRIER TAPE

32	33.4	19.15	53885-0708	70
		16.65	53885-0608	60
キャリアテープ幅 CARRIER TAPE WIDTH	D	(A)	EMBOSSED TAPE PACKAGE オーダー番号 ORDER No.	極数 CIRCUITS

THIS DRAWING CONTAINS INFORMATION THAT IS PROPRIETARY TO MOLEX ELECTRONIC TECHNOLOGIES, LLC AND SHOULD NOT BE USED WITHOUT WRITTEN PERMISSION

CURRENT REV DESC: REDRWAN AND REVISED

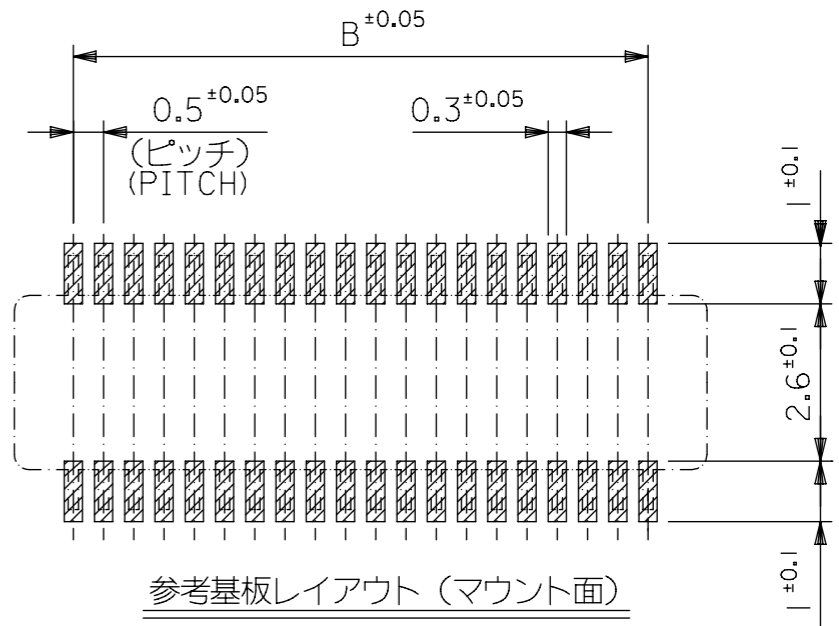
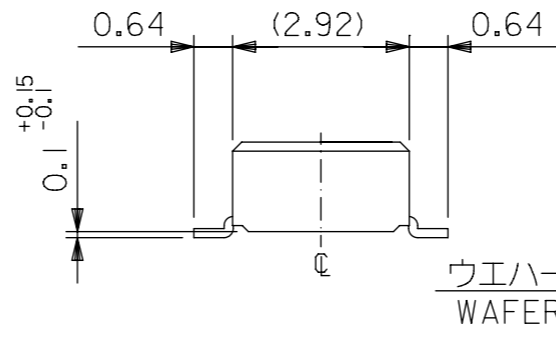
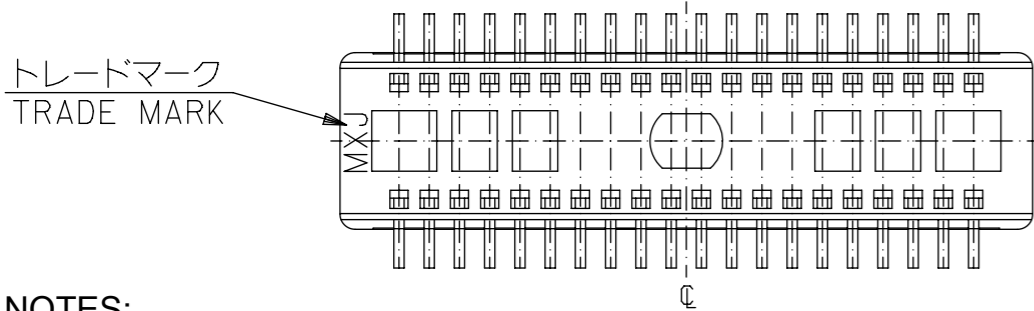
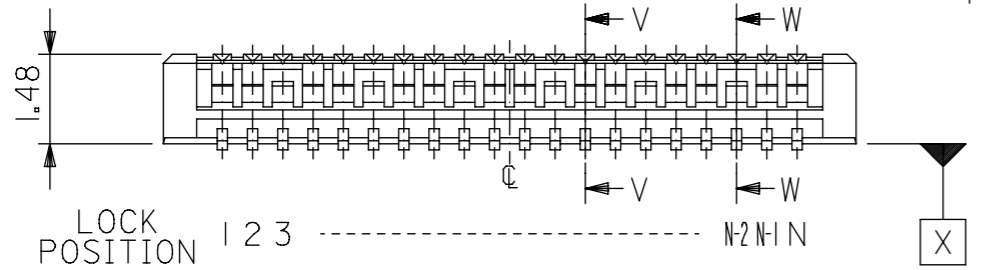
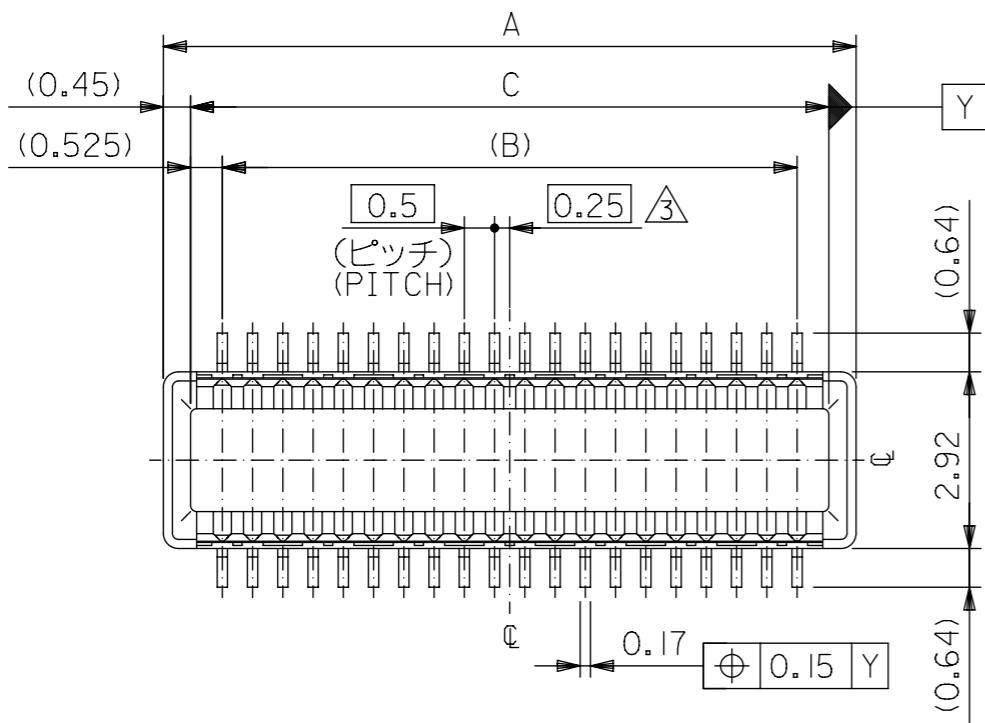
GENERAL TOLERANCES (UNLESS SPECIFIED)	ANGULAR TOL ±	EC NO: 642297	2020/08/31
10 <sup>UNDER</sup>	±0.2	DRWN: TNAKAGAWA01	2020/11/30
10 <sup>OVER</sup> 30 <sup>UNDER</sup>	±0.25	CHK'D: HSHIMYOYAMA	2020/11/30
30 <sup>OVER</sup>	±0.3	APPR: SHOSHIKAWA	2020/11/30
ANGULAR ±3°	0 PLACES ±	INITIAL REVISION:	
DRAFT WHERE APPLICABLE MUST REMAIN WITHIN DIMENSIONS	DRAFT WHERE APPLICABLE MUST REMAIN WITHIN DIMENSIONS	DRWN: TNAKAGAWA01	2020/08/31
		APPR: SHOSHIKAWA	2020/11/30

0.5 MM PITCH B-TO-B CONN.  
HEIGHT = 2.5 PLUG EMBOSS TAPE PACKAGE

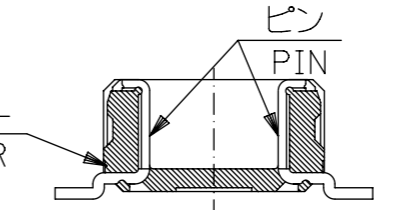
PRODUCT CUSTOMER DRAWING

DOCUMENT NUMBER	DOC TYPE	DOC PART	REVISION
538850000-SD	PSD	000	A

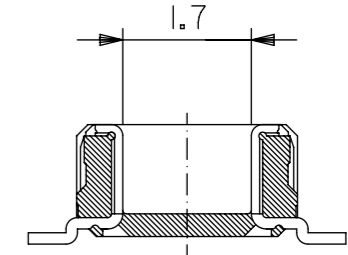
DRAWING	SERIES	MATERIAL NUMBER	CUSTOMER	SHEET NUMBER
A3-SIZE	53885	SEE TABLE	GENERAL	4 OF 4



参考基板レイアウト (マウント面)  
RECOMMENDED P.C. BOARD  
PATTERN DIMENSION. (REF.)  
(MOUNTING AREA)



SECT. W-W (LOCK PART)  
(SCALE 10:1)



SECT. V-V (W/O LOCK PART)  
(SCALE 10:1)

注記 NOTES:

1. 使用材料 MATERIAL

ハウジング : 液晶ポリマ, ガラス充填, UL94V-0, 色 : 黒,  
HOUSING: LCP, GLASS FILL, UL94V-0, COLOR: BLACK  
ターミナル : 黄銅 (t=0.15)  
TERMINAL: BRASS (t=0.15)

2. メッキ仕様 PLATING

金メッキ 0.25 マイクロメートル以上 (コンタクト部)  
GOLD(Au) 0.25 MICROMETER MIN. (CONTACT AREA)  
金メッキ 0.4 マイクロメートル以下 (テール部)  
GOLD(Au) 0.4 MICROMETER MAX. (TAIL AREA)  
下地メッキ : ニッケルメッキ 1.5 マイクロメートル以上  
UNDER PLATING : NICKEL 1.5 MICROMETER MIN.

- 3 (全極数/2) = 偶数の場合に適用。  
APPLY FOR (CIRCUIT/2) = EVEN.
4. 嵌合相手 : 54102 シリーズ (嵌合高さ = 2.5mm)  
MATE WITH: 54102 SERIES (HEIGHT = 2.5mm)
5. テール平坦度は、0.1MAX.  
TAIL COPLANARITY TO BE 0.1MAX.

NONE	18.05	17.0	18.95	53885-0708	70
10, 21	15.55	14.5	16.45	53885-0608	60
4, 10, 16, 22	13.05	12.0	13.95	53885-0508	50
3, 6, 9, 12, 15, 18	10.55	9.5	11.45	53885-0408	40
1, 3, 5, 7, 9, 11, 13, 15	8.05	7.0	8.95	53885-0308	30
ALL	5.55	4.5	6.45	53885-0208	20
LOCK POSITION	C	B	A	EMBOSSED PACKAGE	極数
				オーダー番号 ORDER No.	CIRCUIT

CONNECTOR SERIES No. 53885-\*\*\*1

THIS DRAWING CONTAINS INFORMATION THAT IS PROPRIETARY TO MOLEX ELECTRONIC TECHNOLOGIES, LLC AND SHOULD NOT BE USED WITHOUT WRITTEN PERMISSION

CURRENT REV DESC: REDRWAN AND REVISED

EC NO: 642297  
DRWN: TNAKAGAWA01  
CHK'D: HSHIMOYAMA  
APPR: SHOSHIKAWA

INITIAL REVISION:  
DRWN: TNAKAGAWA01  
APPR: SHOSHIKAWA

GENERAL TOLERANCES (UNLESS SPECIFIED)

10 <sup>UNDER</sup>	±0.2
10 <sup>OVER</sup> 30 <sup>UNDER</sup>	±0.25
30 <sup>OVER</sup>	±0.3

ANGULAR TOL ±

4 PLACES	±
3 PLACES	±
2 PLACES	±
1 PLACE	±
0 PLACES	±

DRAFT WHERE APPLICABLE MUST REMAIN WITHIN DIMENSIONS

THIRD ANGLE PROJECTION

DRAWING A3-SIZE

SERIES 53885

MATERIAL NUMBER SEE TABLE

CUSTOMER GENERAL

SHEET NUMBER 1 OF 2

DOCUMENT NUMBER 538851000-SD

DOC TYPE PSD

DOC PART 001

REVISION A

DATE 2020/11/30

03:37:51

10

9

8

7

6

5

4

3

2

1

F

E

D

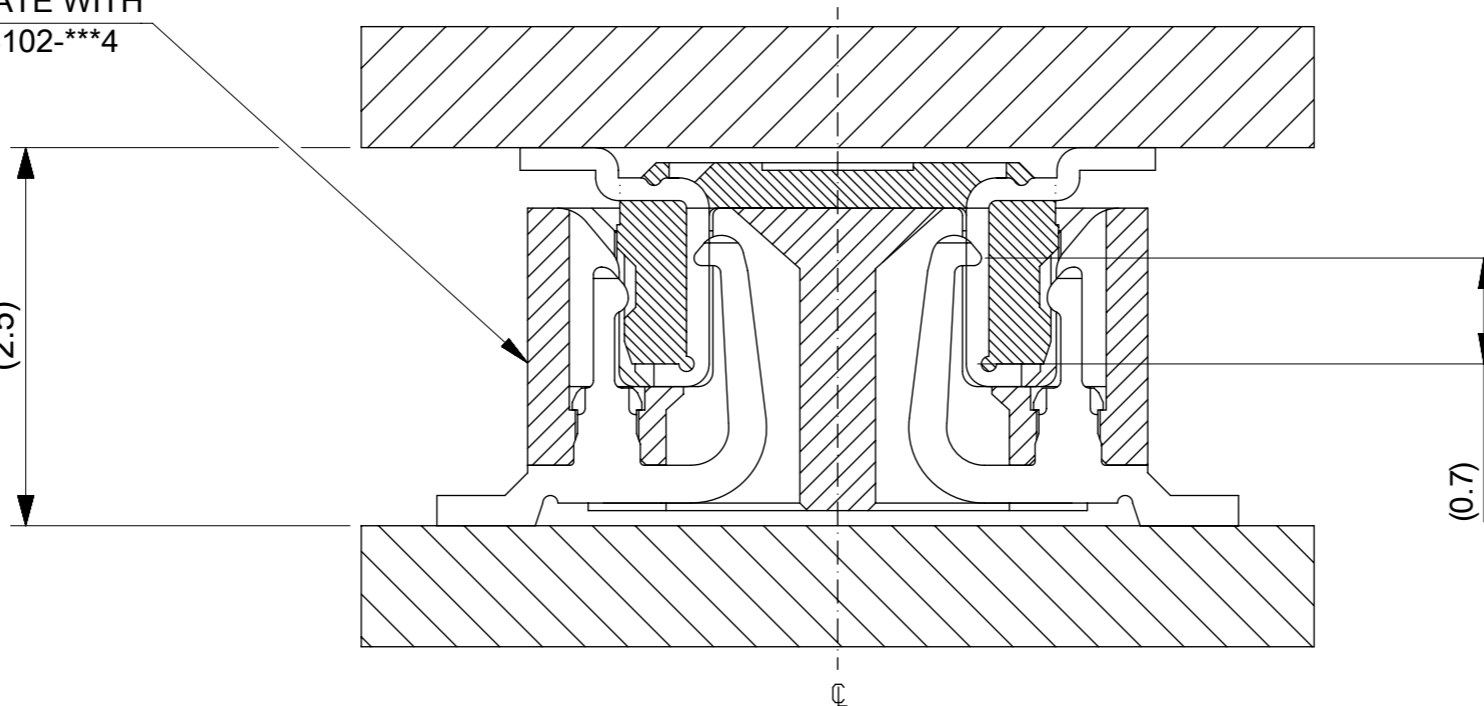
C

B

A

嵌合相手  
MATE WITH  
54102-\*\*\*4

(2.5)



(0.7)  
有効嵌合長  
MATING  
LENGTH

嵌合断面図 (参考)

MATED DRAWING (REF.)

THIS DRAWING CONTAINS INFORMATION THAT IS PROPRIETARY TO MOLEX ELECTRONIC TECHNOLOGIES, LLC AND SHOULD NOT BE USED WITHOUT WRITTEN PERMISSION

DIMENSION UNITS SCALE  
mm 20:1

CURRENT REV DESC: REDRWAN AND REVISED

**molex**

0.5 MM PITCH B-TO-B CONN.  
HEIGHT = 2.5 PLUG

PRODUCT CUSTOMER DRAWING

GENERAL TOLERANCES (UNLESS SPECIFIED)	
10 <sup>UNDER</sup>	±0.2
10 <sup>OVER</sup> 30 <sup>UNDER</sup>	±0.25
30 <sup>OVER</sup>	±0.3
ANGULAR±3°	

GENERAL TOLERANCES (UNLESS SPECIFIED)	
ANGULAR TOL ±	*
4 PLACES ±	
3 PLACES ±	
2 PLACES ±	
1 PLACE ±	
0 PLACES ±	

EC NO: 642297  
 DRWN: TNAKAGAWA01 2020/08/31  
 CHK'D: HSHIMUYAMA 2020/11/30  
 APPR: SHOSHIKAWA 2020/11/30

INITIAL REVISION:  
 DRWN: TNAKAGAWA01 2020/08/31  
 APPR: SHOSHIKAWA 2020/11/30

DOCUMENT NUMBER	DOC TYPE	DOC PART	REVISION
538851000-SD	PSD	001	A

DRAFT WHERE APPLICABLE MUST REMAIN WITHIN DIMENSIONS	DRAFT WHERE APPLICABLE MUST REMAIN WITHIN DIMENSIONS	THIRD ANGLE PROJECTION	DRAWING	SERIES	MATERIAL NUMBER	CUSTOMER	SHEET NUMBER
			A3-SIZE	53885	SEE SHEET 1	GENERAL	2 OF 2

DOCUMENT STATUS	P1	RELEASE DATE	2020/11/30	03:37:51

9

8

7

6

5

4

3

2

1

FORMAT: master-b-prod-A3  
REVISION: J  
DATE: 2020/11/14

- IPC 1752A Class D
- Molex Product Compliance Declaration
- IEC-62474
- chemSHERPA (xml)

欧盟 RoHS 合格证书

## 产品详情

### 常规

状态	活动
类别	Board-to-Board Connectors
系列	53885
说明	0.50mm Pitch SlimStack Plug, Surface Mount, Dual Row, Vertical, 2.50mm Stack Height, without Solder Tab, 60 Circuits
产品系列	0.5, BB H2.5
应用	Board-to-Board, Signal
元件类型	PCB Header
产品系列	SlimStack Board-to-Board/Board-to-FPC Connectors
产品名称	SlimStack
UPC	800753493810

### 电气

每触点最大电流	0.5A
电压 - 最大	50V

### 物理

断开	否
回路数 (已载入)	60
电路数 (最多)	60
耐用性 (插拔次数) - 最多次数	30
先接后断	否
符合灼热丝规范	否
可配插产品指南	否
插接极性	无
锁定插接部位	是



插配长度	2.50mm
插配宽度	5.30mm
材料 - 金属	Brass
材料 - 接合部位电镀	金牌
材料 - 终端电镀	金牌
净重	107.619/mg
行数	2
方向	垂直
包装形式	Embossed Tape on Reel
PC 焊脚长度	0.64mm
PCB 定位器	否
PCB 保持力	无
间距 - 插配接口	0.50mm
最薄镀层 - 接合部位	0.254µm
最薄镀层 - 端接	0.102µm
PCB 极性	否
有护墙的	Fully
运行温度范围	-40° to +105° C
终端界面类型	Surface Mount

---

## 可配插/可连接使用的产品

### 可配插部件

描述	产品编号
0.50mm Pitch Vertical SlimStack Receptacles	<u>54102</u>