



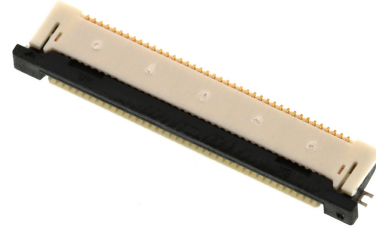
产品编号 : [541324062](#)

Product Description : Easy-On FFC/FPC Connector, 0.50mm Pitch, Slider Series, Right-Angle, Bottom Contact, 2.00mm Height, 40 Circuits, Gold Plating

系列号 : 54132

状态 : Active

Product Category : FFC / FPC Connectors



文件和资源

图纸

[图纸 541324062_sd.pdf](#)

3D 模型和设计文件

[2D 图纸 DXF 541324062.dxf](#)

[2D 图纸 DXF PDF 541324062.pdf](#)

[3D模型 541324062_stp.zip](#)

规格

[包装规格 SPK-54132-001-001.pdf](#)

[产品规格 PS-54132-061-001.pdf](#)

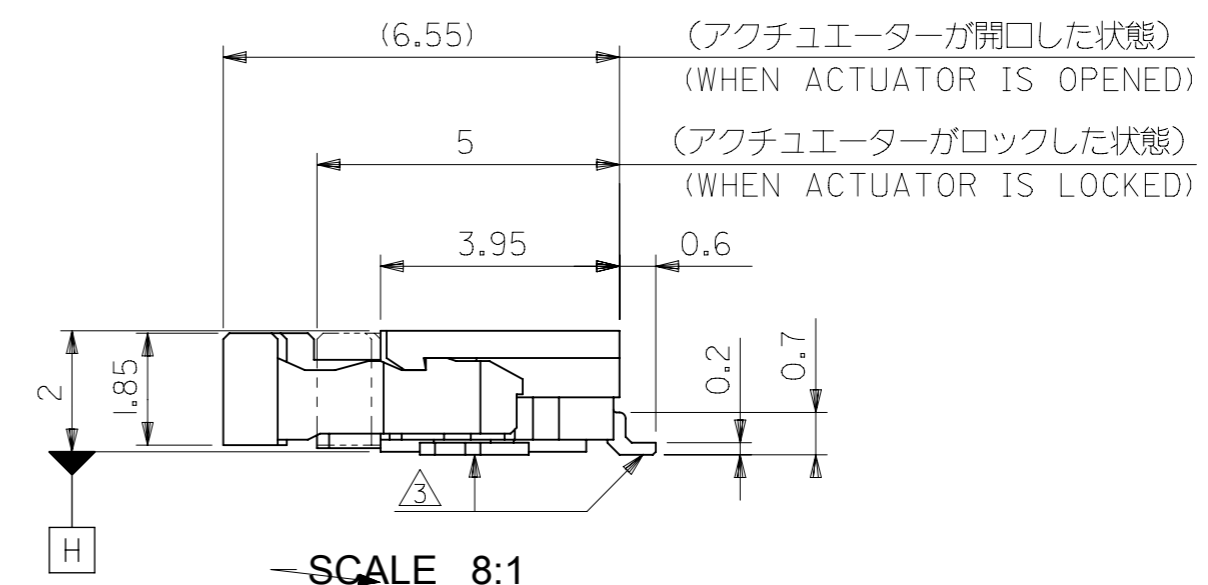
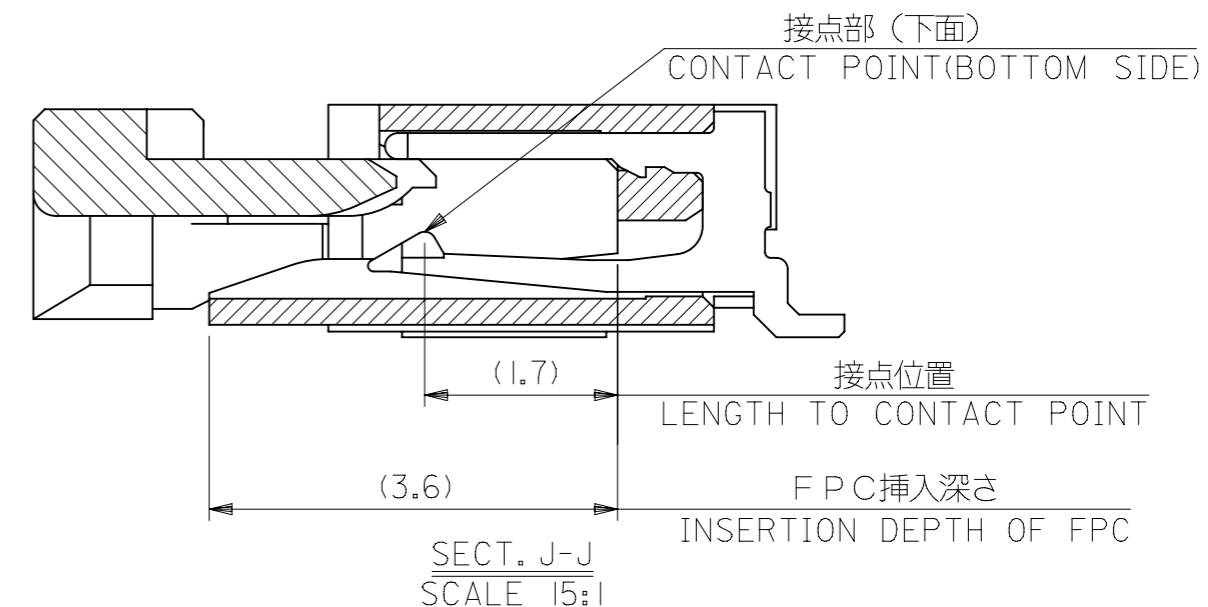
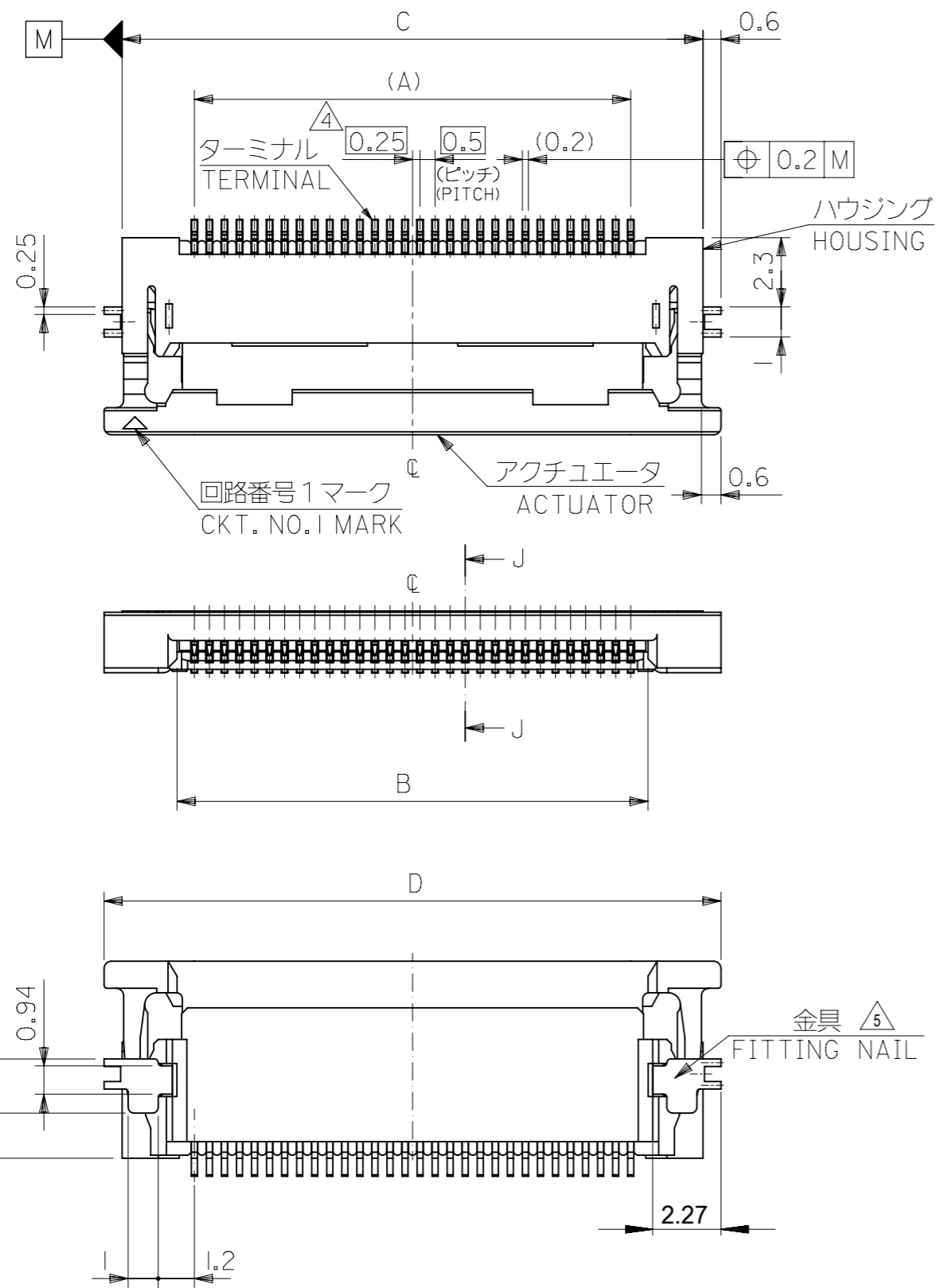
产物环境合规

合规

GADSL/IMDS	Not Relevant
China RoHS	
EU ELV	Not Relevant
Low-Halogen Status	Not Low-Halogen per IEC 61249-2-21
REACH SVHC	Not Contained per D(2023)3788-DC (14 Jun 2023)
EU RoHS	Compliant per EU 2015/863

多部分产品合规性声明

- Eu RoHS
- REACH SVHC
- Low-Halogen



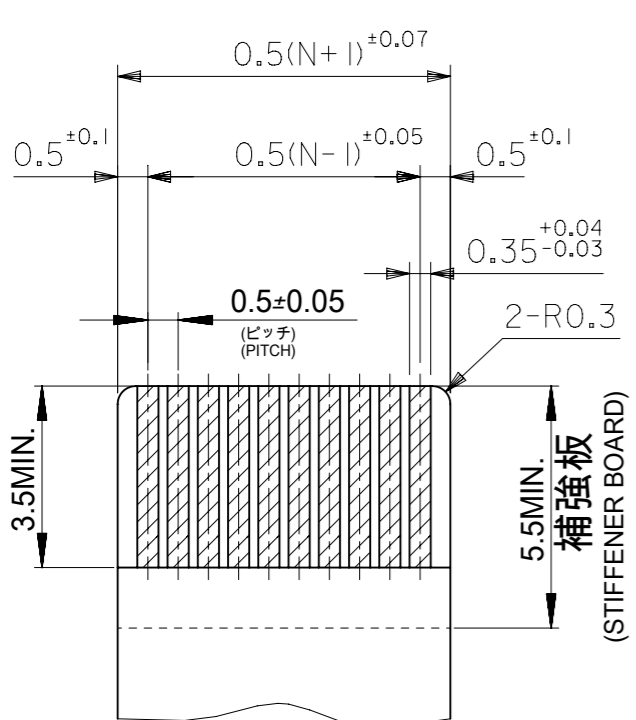
30.5	29.3	25.65	24.5	54132-5062	50
28.0	26.8	23.15	22.0	54132-4562	45
27.0	25.8	22.15	21.0	54132-4362	43
25.5	24.3	20.65	19.5	54132-4062	40
24.5	23.3	19.65	18.5	54132-3862	38
23.5	22.3	18.65	17.5	54132-3662	36
23.0	21.8	18.15	17.0	54132-3562	35
22.5	21.3	17.65	16.5	54132-3462	34
22.0	20.8	17.15	16.0	54132-3362	33
21.5	20.3	16.65	15.5	54132-3262	32
20.5	19.3	15.65	14.5	54132-3062	30
D	C	B	A	EMBOSSED TAPE	CKT.
ORDER No. オーダー番号					

CONNECTOR SERIES NO. : 54132-**68

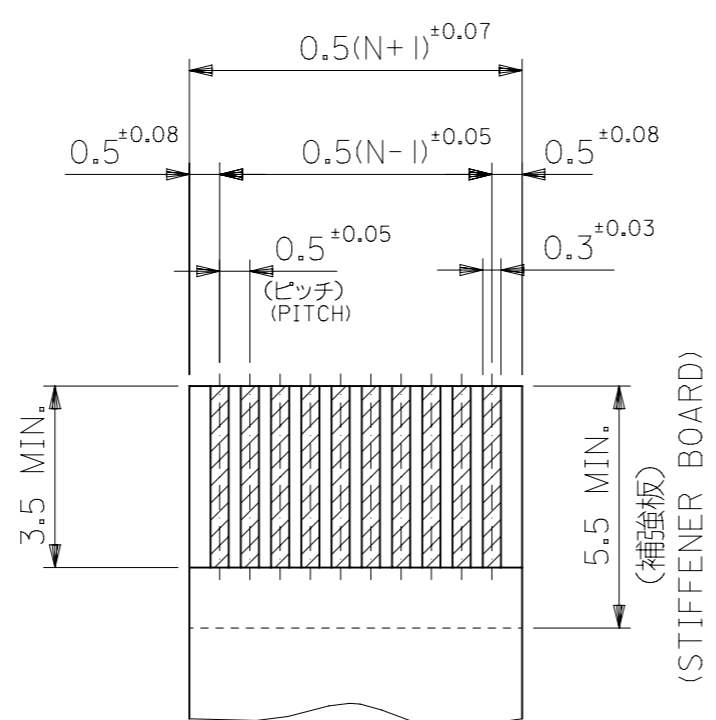
GENERAL TOLERANCES (UNLESS SPECIFIED)	
10 UNDER	± 0.2
10 OVER 30 UNDER	± 0.25
30 OVER	± 0.3
ANGULAR ± 3 °	
DRAFT WHERE APPLICABLE MUST REMAIN WITHIN DIMENSIONS	

THIS DRAWING CONTAINS INFORMATION THAT IS PROPRIETARY TO MOLEX ELECTRONIC TECHNOLOGIES, LLC AND SHOULD NOT BE USED WITHOUT WRITTEN PERMISSION

<table border="1"> <tr> <th>DIMENSION UNITS</th> <th>SCALE</th> </tr> <tr> <td>mm</td> <td>5:1</td> </tr> </table>	DIMENSION UNITS	SCALE	mm	5:1	<table border="1"> <tr> <th colspan="2">CURRENT REV DESC:</th> </tr> <tr> <td>EC NO: 600082</td> <td>2018/03/02</td> </tr> <tr> <td>DRWN: YCHEN128</td> <td>2018/03/14</td> </tr> <tr> <td>CHK'D: KTAKAHASHI</td> <td>2018/03/14</td> </tr> <tr> <td>APPR: NUKITA</td> <td>2018/03/14</td> </tr> <tr> <th colspan="2">INITIAL REVISION:</th> </tr> <tr> <td>DRWN: MUMEDA</td> <td>2004/10/08</td> </tr> <tr> <td>APPR: NUKITA</td> <td>2004/10/14</td> </tr> </table>	CURRENT REV DESC:		EC NO: 600082	2018/03/02	DRWN: YCHEN128	2018/03/14	CHK'D: KTAKAHASHI	2018/03/14	APPR: NUKITA	2018/03/14	INITIAL REVISION:		DRWN: MUMEDA	2004/10/08	APPR: NUKITA	2004/10/14	
DIMENSION UNITS	SCALE																					
mm	5:1																					
CURRENT REV DESC:																						
EC NO: 600082	2018/03/02																					
DRWN: YCHEN128	2018/03/14																					
CHK'D: KTAKAHASHI	2018/03/14																					
APPR: NUKITA	2018/03/14																					
INITIAL REVISION:																						
DRWN: MUMEDA	2004/10/08																					
APPR: NUKITA	2004/10/14																					
<table border="1"> <tr> <td colspan="2">R/A BOTTOM CONTACT NI-BARRIER GOLD PLATING</td> </tr> <tr> <td colspan="2">PRODUCT CUSTOMER DRAWING</td> </tr> </table>		R/A BOTTOM CONTACT NI-BARRIER GOLD PLATING		PRODUCT CUSTOMER DRAWING		<table border="1"> <tr> <td>DOCUMENT NUMBER</td> <td>DOC TYPE</td> <td>DOC PART</td> <td>REVISION</td> </tr> <tr> <td>SD-54132-064</td> <td>PSD</td> <td>001</td> <td>G</td> </tr> </table>	DOCUMENT NUMBER	DOC TYPE	DOC PART	REVISION	SD-54132-064	PSD	001	G								
R/A BOTTOM CONTACT NI-BARRIER GOLD PLATING																						
PRODUCT CUSTOMER DRAWING																						
DOCUMENT NUMBER	DOC TYPE	DOC PART	REVISION																			
SD-54132-064	PSD	001	G																			
<table border="1"> <tr> <td>THIRD ANGLE PROJECTION</td> <td>DRAWING</td> <td>SERIES</td> <td>MATERIAL NUMBER</td> <td>CUSTOMER</td> <td>SHEET NUMBER</td> </tr> <tr> <td></td> <td>A3-SIZE</td> <td>54132</td> <td>SEE TABLE</td> <td>GENERAL MARKET</td> <td>1 OF 3</td> </tr> </table>	THIRD ANGLE PROJECTION	DRAWING	SERIES	MATERIAL NUMBER	CUSTOMER	SHEET NUMBER		A3-SIZE	54132	SEE TABLE	GENERAL MARKET	1 OF 3										
THIRD ANGLE PROJECTION	DRAWING	SERIES	MATERIAL NUMBER	CUSTOMER	SHEET NUMBER																	
	A3-SIZE	54132	SEE TABLE	GENERAL MARKET	1 OF 3																	

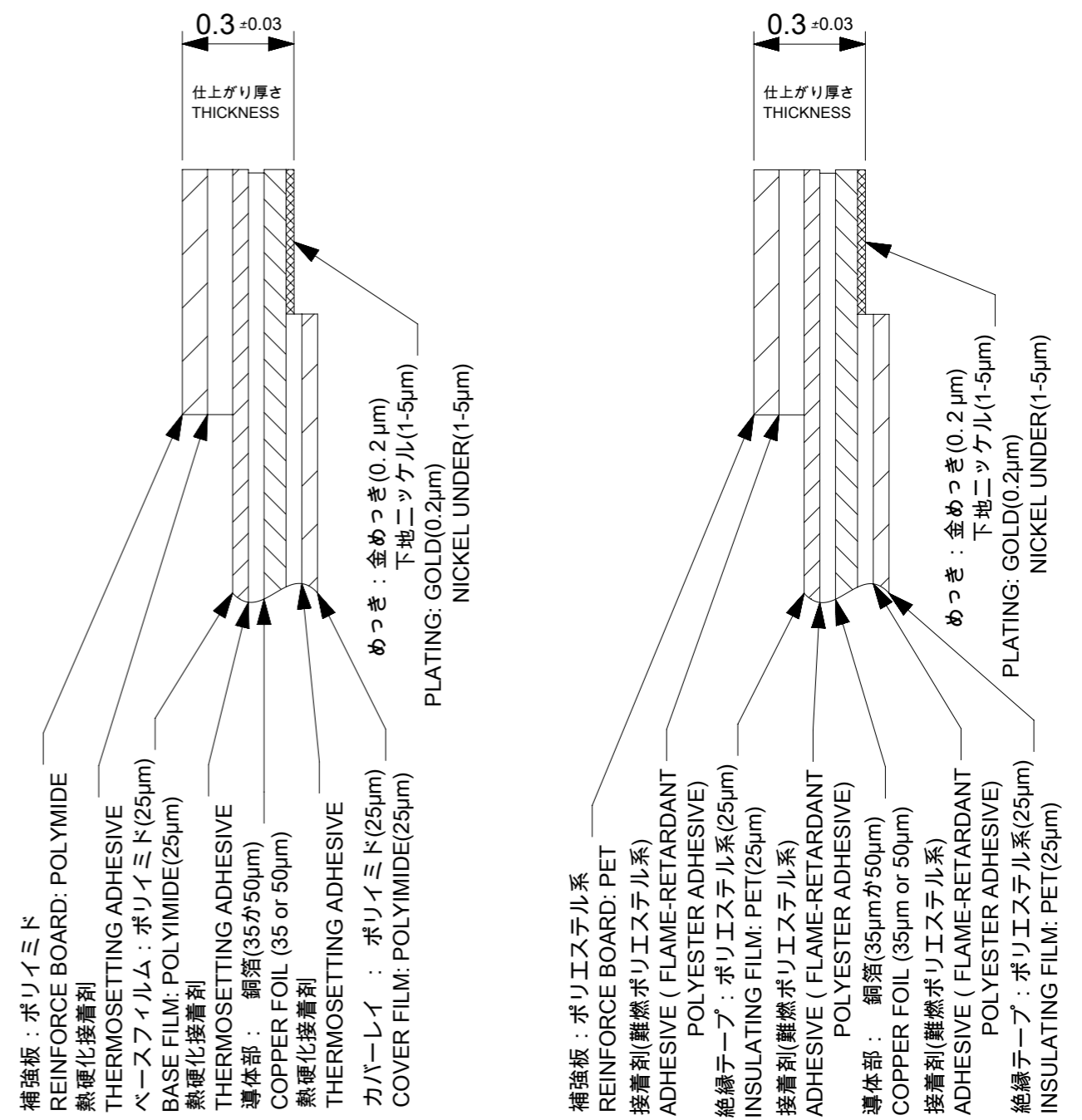


適合金めっきFPC推奨寸法
 APPLICABLE FPC OF GOLD PLATING
 RECOMMENDED DIMENSION
 (仕上がり厚さ : 0.3±0.03)
 (THICKNESS : 0.3±0.03)



適合金めっきFFC推奨寸法
 APPLICABLE FFC OF GOLD PLATING
 RECOMMENDED DIMENSION
 (仕上がり厚さ : 0.3±0.03)
 (THICKNESS : 0.3±0.03)

FPC/FFCについて：
 打ち抜き方向は導体側から補強板側を推奨いたします。
 RECOMMENDED PUNCHER DIRECTION
 FROM CONDUCTOR SIDE TO STIFFENER BOARD SIDE.



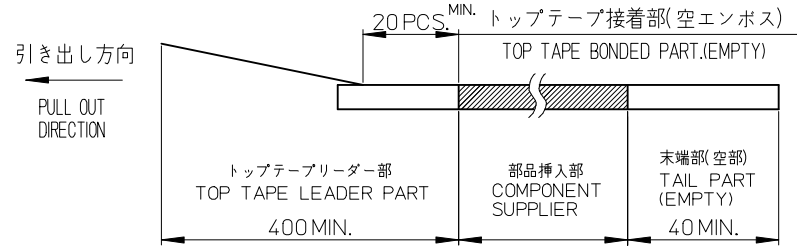
FPC構成推奨仕様
 STRUCTURE OF FPC

FFC構成推奨仕様
 STRUCTURE OF FFC

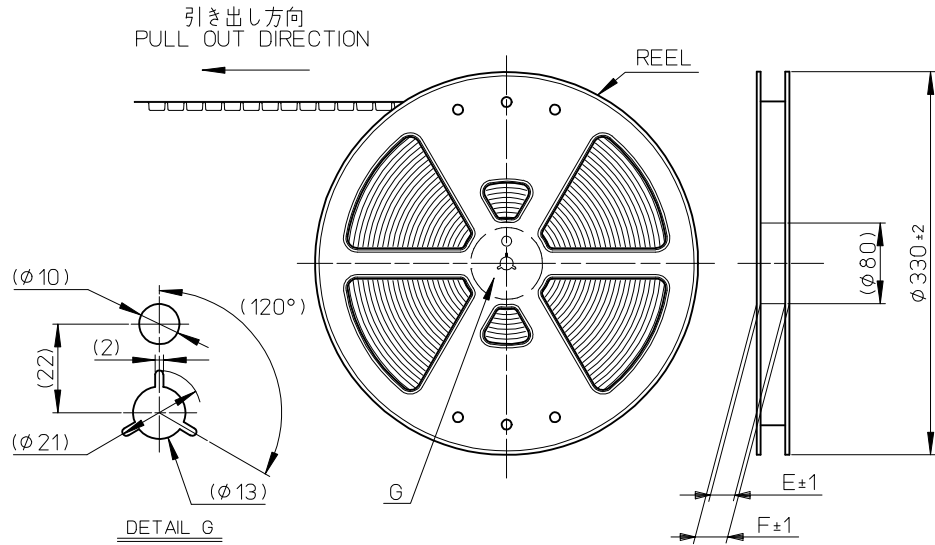
GENERAL TOLERANCES (UNLESS SPECIFIED) 10 UNDER ± 0.2 10 OVER 30 UNDER ± 0.25 30 OVER ± 0.3 ANGULAR ± 3 ° DRAFT WHERE APPLICABLE MUST REMAIN WITHIN DIMENSIONS		DIMENSION UNITS: mm SCALE: 8:1 ANGULAR TOL ± 30 ° 4 PLACES ± 0.2 3 PLACES ± 0.25 2 PLACES ± 0.3 1 PLACE ± 0 PLACES ± DRAFT WHERE APPLICABLE MUST REMAIN WITHIN DIMENSIONS	CURRENT REV DESC: EC NO: 600082 DRWN: YCHEN128 2018/03/02 CHK'D: KTAKAHASHI 2018/03/14 APPR: NUKITA 2018/03/14 INITIAL REVISION: DRWN: MUMEDA 2004/10/08 APPR: NUKITA 2004/10/14 THIRD ANGLE PROJECTION DRAWING: A3-SIZE SERIES: 54132	molex 0.5 FPC CONN. ZIF SMT R/A BOTTOM CONTACT NI-BARRIER GOLD PLATING PRODUCT CUSTOMER DRAWING DOCUMENT NUMBER: SD-54132-064 DOC TYPE: PSD DOC PART: 001 REVISION: G MATERIAL NUMBER: SEE TABLE CUSTOMER: GENERAL MARKET SHEET NUMBER: 3 OF 3
--	--	--	--	---

NOTE

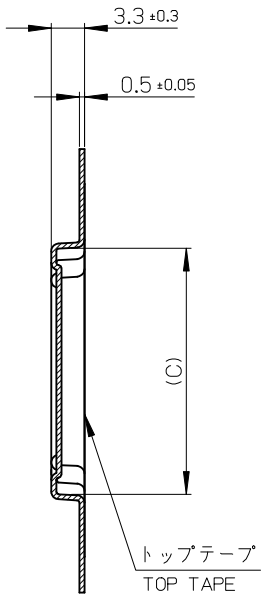
- 1. 梱包数量 : 1500個/リール
NUMBER OF CONNECTORS : 1500PCS/REEL
- 2. リードテープ長さ
LEAD TAPE LENGTH



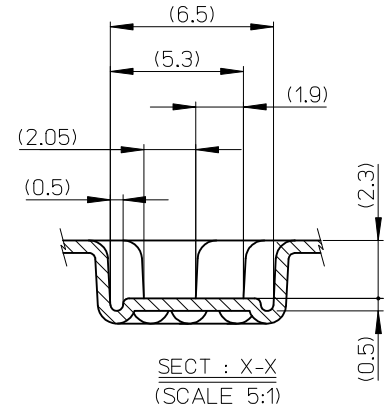
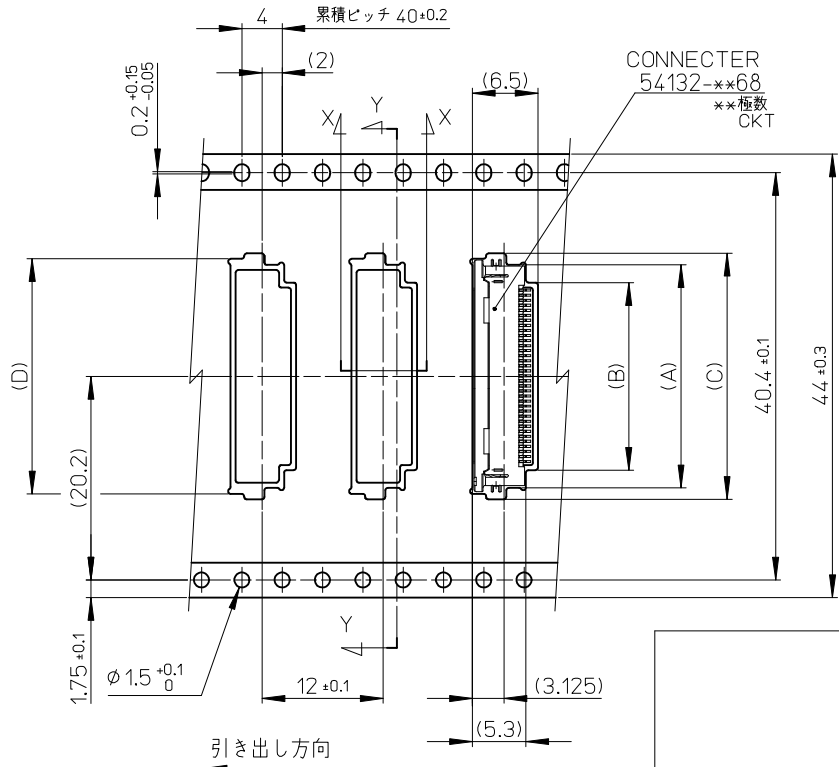
- 3. カバーテープの はく離強度については、IEC60286-3に準拠
COVER TAPE PEEL FORCE IS DEFINED BY IEC 60286-3.
- 4. 材料 キャリアテープ : ポリプロピレン(PP)
トップテープ : PET,PE,PEF
リール : ポリスチレン(PS) <リサイクル材を含む>
MATERIAL CARRIER TAPE : POLYPROPYLENE
TOP TAPE : PET,PE,PEF
REEL : POLYSTYRENE<RECYCLE MATERIAL CONTAINED>
- 5. ELV & RoHS適合品
ELV AND RoHS COMPLIANT



RELEASED EC NO.: J2011-0041 DRWN: HYOSHINO 2010/07/13 CHKD: HIJIMA 2010/07/13 APPR: KMORIKAWA 2010/07/16	GENERAL TOLERANCES (UNLESS SPECIFIED)		DIMENSION STYLE MM ONLY		SCALE ---	DESIGN UNITS METRIC	THIRD ANGLE PROJECTION	
	10 UNDER	± ---	DRAWN BY HYOSHINO	DATE 2010/07/13	TITLE 0.5 FPC CONN. ZIF SMT R/A BOTTOM CONTACT TAPING PACKAGE			
	10 OVER 30 UNDER	± ---	CHECKED BY HIJIMA	DATE 2010/07/13	MOLEX INCORPORATED			
	30 OVER	± ---	APPROVED BY KMORIKAWA	DATE 2010/07/16	DOCUMENT NO. SD-54132-065		SHEET NO. 1 OF 2	
0	DESCRIPTION ANGULAR ± --- ° DRAFT WHERE APPLICABLE MUST REMAIN WITHIN DIMENSIONS	SEE SHEET		THIS DRAWING CONTAINS INFORMATION THAT IS PROPRIETARY TO MOLEX INCORPORATED AND SHOULD NOT BE USED WITHOUT WRITTEN PERMISSION				



SECT : Y-Y



44	49.4	45.4	30.8	31.9	26.1	29.6	54132-5062	50		
			28.3	29.4	23.6	27.1	54132-4562	45		
			27.3	28.4	22.6	26.1	54132-4362	43		
			25.8	26.9	21.1	24.6	54132-4062	40		
			24.8	25.9	20.1	23.6	54132-3862	38		
			23.8	24.9	19.1	22.6	54132-3662	36		
			23.3	24.4	18.6	22.1	54132-3562	35		
			22.8	23.9	18.1	21.6	54132-3462	34		
			22.3	23.4	17.6	21.1	54132-3362	33		
			21.8	22.9	17.1	20.6	54132-3262	32		
20.8	21.9	16.1	19.6	54132-3062	30					
キャリアテープ幅 CARRIAR TAPE WIDTH			F	E	D	C	B	A	MATERIAL NO. (EMBOSS PKG)	CKT.

RELEASED EC NO: J2011-0041 DRWN:HYOSHINO 2010/07/13 CHKD:H IJIMA 2010/07/13 APPR:KMORIKAWA 2010/07/16	GENERAL TOLERANCES (UNLESS SPECIFIED)		DIMENSION STYLE MM ONLY		SCALE ---	DESIGN UNITS METRIC	THIRD ANGLE PROJECTION	
	10 UNDER	± ---	DRAWN BY HYOSHINO	DATE 2010/07/13	TITLE 0.5 FPC CONN. ZIF SMT R/A BOTTOM CONTACT TAPING PACKAGE			
	10 OVER 30 UNDER	± ---	CHECKED BY HIJIMA	DATE 2010/07/13	MOLEX INCORPORATED			
	30 OVER	± ---	APPROVED BY KMORIKAWA	DATE 2010/07/16	DOCUMENT NO. SD-54132-065		SHEET NO. 2 OF 2	
	ANGULAR ± --- °		MATERIAL NO. SEE SHEET		THIS DRAWING CONTAINS INFORMATION THAT IS PROPRIETARY TO MOLEX INCORPORATED AND SHOULD NOT BE USED WITHOUT WRITTEN PERMISSION			
DRAFT WHERE APPLICABLE MUST REMAIN WITHIN DIMENSIONS								

多部分行业合规性文件

- IPC 1752A Class C
- IPC 1752A Class D
- Molex Product Compliance Declaration
- IEC-62474
- chemSHERPA (xml)

欧盟 RoHS 合格证书

产品详情

常规

状态	活动
类别	FFC / FPC Connectors
系列	54132
说明	Easy-On FFC/FPC Connector, 0.50mm Pitch, Slider Series, Right-Angle, Bottom Contact, 2.00mm Height, 40 Circuits, Gold Plating
产品系列	Slider
产品系列	Easy-On FFC FPC Connectors
产品名称	Easy-On
UPC	822348824885

机构

UL	E29179
----	--------

电气

每触点最大电流	0.5A
电压 - 最大	50V

物理

驱动器类型	Slider
回路数 (已载入)	40
颜色-树脂	Black, Natural
接触部位	底部
耐用性(插拔次数) - 最多次数	20
阻燃性	94V-0
插配长度	2.00mm

材料 - 金属	Phosphor Bronze
材料 - 接合部位电镀	金牌
材料 - 终端电镀	金牌
材料 - 树脂	High Temperature Thermoplastic
净重	339.054/mg
方向	Right Angle
包装形式	Embossed Tape on Reel
PCB 定位器	否
PCB安装	Surface Mount
PCB 保持力	是
间距 - 插配接口	0.50mm
最薄镀层 - 接合部位	0.102µm
最薄镀层 - 端接	0.051µm
PCB 极性	是
可堆叠的	否
运行温度范围	-20° to +85° C
导线/电缆型号	FFC/FPC

可配插/可连接使用的产品

可配插部件

描述	产品编号
0.50mm Pitch Premo-Flex FFC Jumpers	<u>15020</u>
0.50mm Pitch Premo-Flex FFC Jumpers	<u>15120</u>