



产品编号 : [547220204](#)

**Product Description :** 0.50mm Pitch SlimStack Receptacle, Surface Mount, Dual Row, Vertical, 1.50mm Stacking Height, Lower Circuit Size Version, 20 Circuits, Gold Plating with Nickel Barrier Plating Between Contact and Tail

系列号 : 54722

**状态 :** Active

**Product Category :** Board-to-Board Connectors

---

## 文件和资源

### 图纸

[图纸 547220204\\_sd.pdf](#)

[包装设计图 SPK-54722-001-002.pdf](#)

### 3D 模型和设计文件

[2D 图纸 DXF 547220204.dxf](#)

[2D 图纸 DXF PDF 547220204.pdf](#)

[3D模型 547220204\\_stp.zip](#)

### 规格


[应用规格 547220000-A00.pdf](#)

[产品规格 PS-54722-010-001.pdf](#)

---

## 产物环境合规

### 合规

GADSL/IMDS	Compliant with Exemption 44; 34; 33
China RoHS	
EU ELV	Not Relevant
Low-Halogen Status	Low-Halogen per IEC 61249-2-21
REACH SVHC	Not Contained per D(2023)8585-DC (23 Jan 2024)
EU RoHS	Compliant per EU 2015/863

### 多部分产品合规性声明

- Eu RoHS
- REACH SVHC
- Low-Halogen

- IPC 1752A Class C
- IPC 1752A Class D
- Molex Product Compliance Declaration
- IEC-62474
- chemSHERPA (xml)

欧盟 RoHS 合格证书

## 产品详情

### 常规

状态	活动
类别	Board-to-Board Connectors
系列	54722
说明	0.50mm Pitch SlimStack Receptacle, Surface Mount, Dual Row, Vertical, 1.50mm Stacking Height, Lower Circuit Size Version, 20 Circuits, Gold Plating with Nickel Barrier Plating Between Contact and Tail
产品系列	0.5, BB H1.5
应用	Board-to-Board, Signal
个评论	Embossed Tape Reel Height: 380.00mm; Gold plating with Nickel plating between contact and tail
元件类型	PCB Receptacle
产品系列	SlimStack Board-to-Board/Board-to-FPC Connectors
产品名称	SlimStack
UPC	756054574324

### 机构

UL	E29179
----	--------

### 电气

每触点最大电流	0.5A
电压 - 最大	50V

### 物理

回路数 (已载入)	20
-----------	----

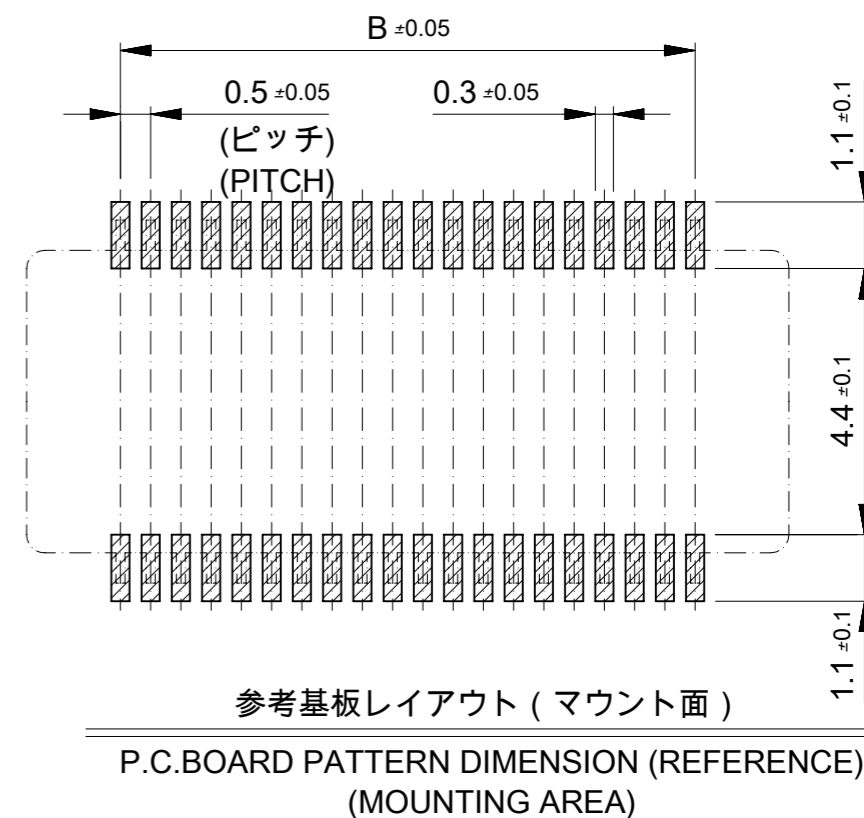
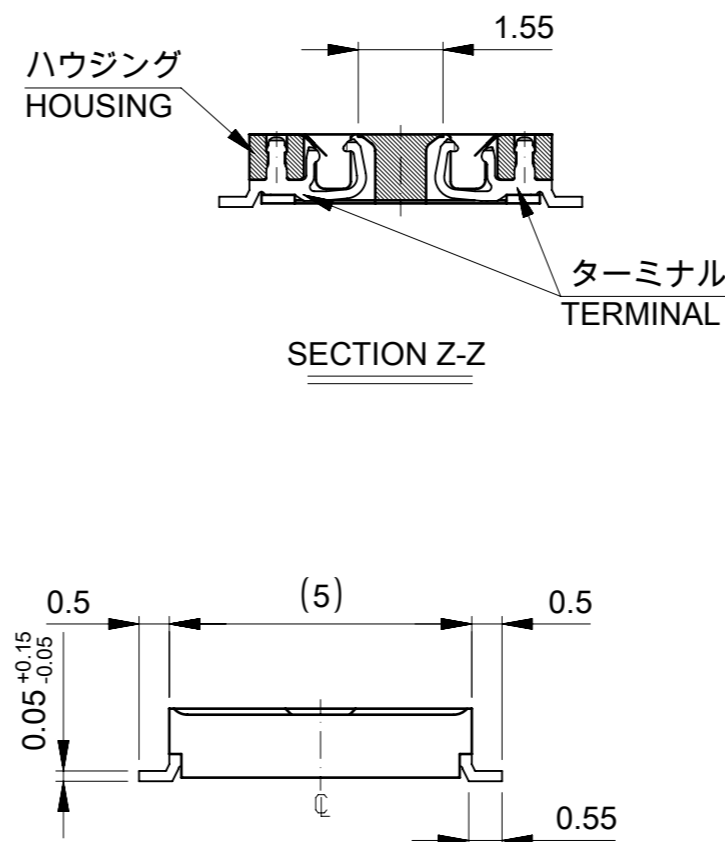
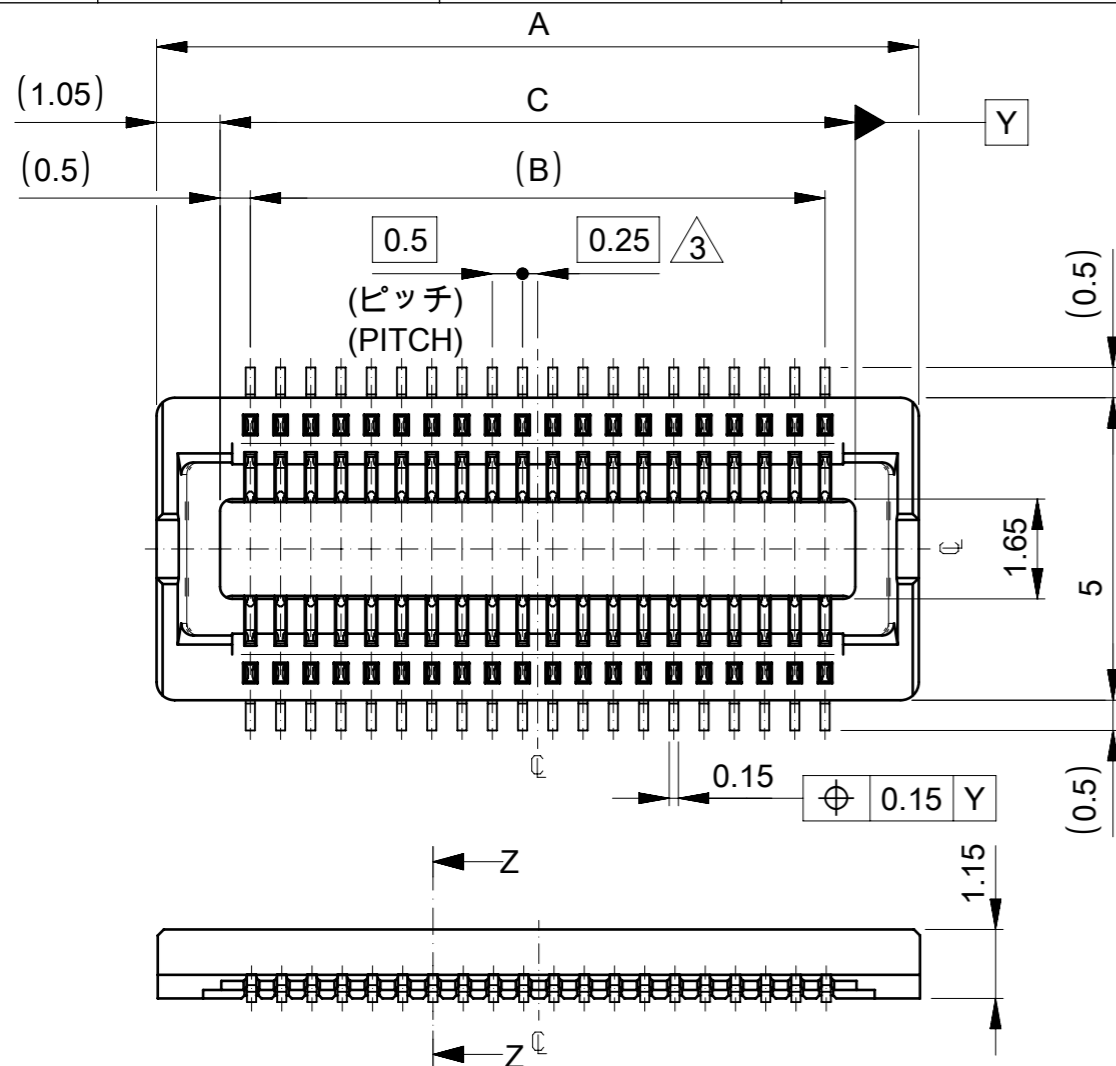
电路数 (最多)	20
颜色-树脂	黑色
耐用性(插拔次数) - 最多次数	30
符合灼热丝规范	否
锁定插接部位	无
插配长度	1.50mm
插配宽度	6.00mm
材料 - 金属	Phosphor Bronze
材料 - 接合部位电镀	金牌
材料 - 终端电镀	金牌
材料 - 树脂	High Temperature Thermoplastic
净重	70.201/mg
行数	2
方向	垂直
包装形式	Embossed Tape on Reel
PCB 定位器	否
PCB 保持力	无
推荐的 PCB 厚度	1.60mm
间距 - 插配接口	0.50mm
PCB 极性	否
运行温度范围	-40° to +105° C
终端界面类型	Surface Mount

---

## 可配插/可连接使用的产品

### 可配插部件

描述	产品编号
0.50mm Pitch Vertical SlimStack Plugs	<u>55560</u>



30 極以下品形状  
SHAPE OF 30 CIRCUITS OR LESS

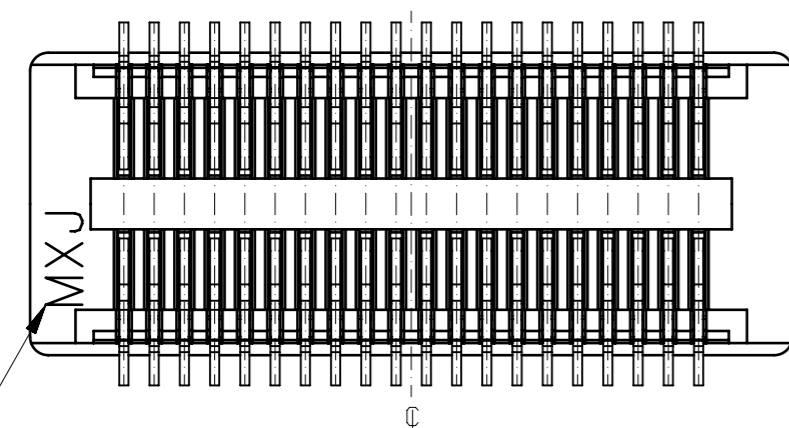
注記 NOTES:

1. 使用材料 MATERIAL  
 ハウジング : 液晶ポリマーガラス充填, UL94V-0 (黒)  
 HOUSING : LIQUID CRYSTAL POLYMER (GLASS FILLED)  
 UL94V-0 (COLOR:BLACK)  
 ターミナル : リン青銅 (t=0.15)  
 TERMINAL : PHOSPHOR BRONZE (t=0.15)
2. メッキ仕様 PLATING  
 金メッキ 0.25 マイクロメートル以上 (コンタクト部)  
 GOLD 0.25 MICROMETER MINIMUM (CONTACT AREA).  
 金メッキ 0.4 マイクロメートル以下 (テール部)  
 GOLD 0.4 MICROMETER MAXIMUM (TAIL AREA).  
 下地メッキ: ニッケルメッキ 1.5 マイクロメートル以上  
 UNDER PLATING : NICKEL 1.5 MICROMETER MINIMUM.  
 \*コンタクト部とテール部はニッケルメッキによって  
 分断されている金メッキです。  
 DIVIDE INTO PARTS THE GOLD PLATING OF THE CONTACT  
 AND THE TAIL PART BY THE NICKEL PLATING.

3. (全極数 / 2) = 偶数の場合に適用。  
 APPLY FOR (CIRCUIT/2)=EVEN.
4. 嵌合相手 : 55560シリーズ(嵌合高さ = 1.5mm)  
 MATE WITH : 55560 SERIES.(HEIGHT=1.5mm)
5. テール平坦度は、0.1以下  
 TAIL COPLANARITY TO BE 0.1 MAXIMUM.

8.0	7.0	10.1	54722-0304	30
6.5	5.5	8.6	54722-0244	24
6.0	5.0	8.1	54722-0224	22
5.5	4.5	7.6	54722-0204	20
4.5	3.5	6.6	54722-0164	16
C	B	A	Emboss tape Package ORDER No. オーダー番号	極数 CIRCUIT

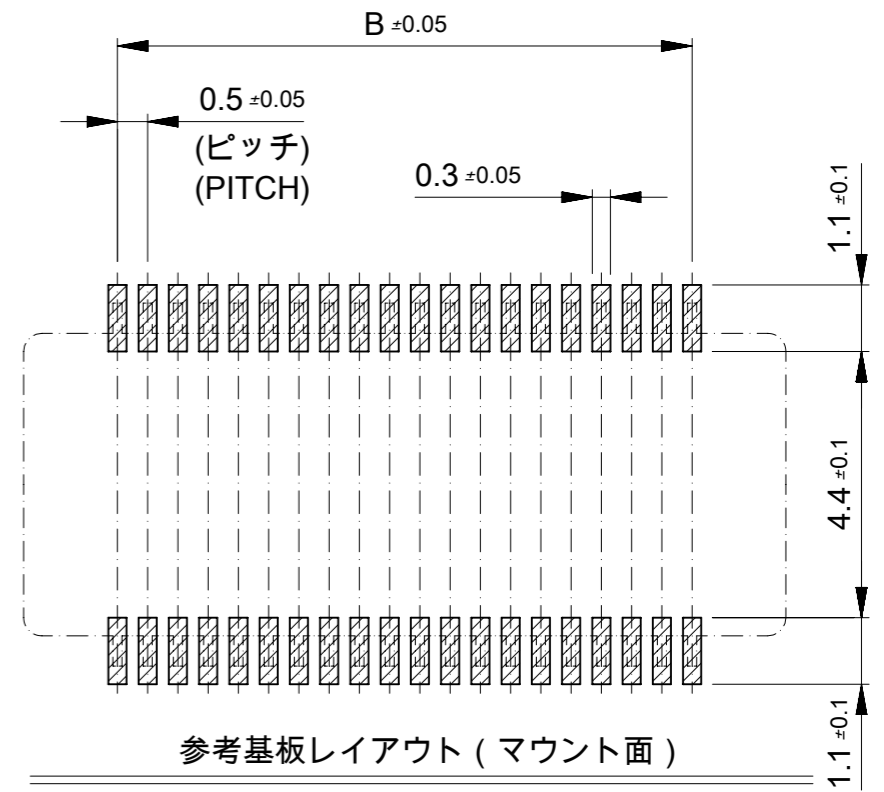
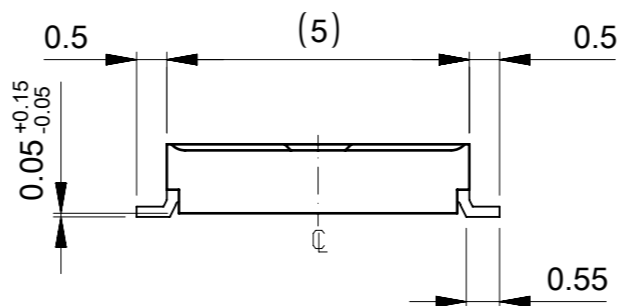
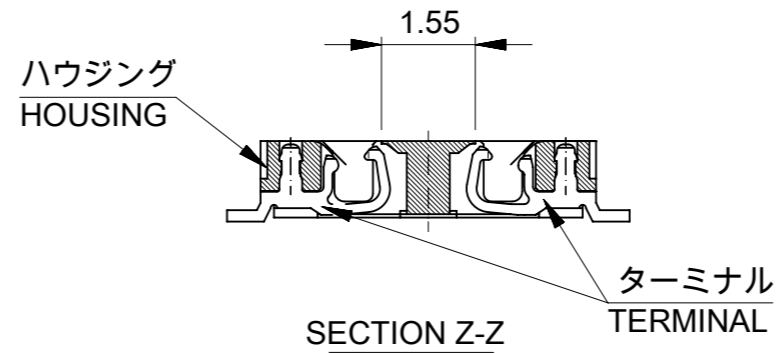
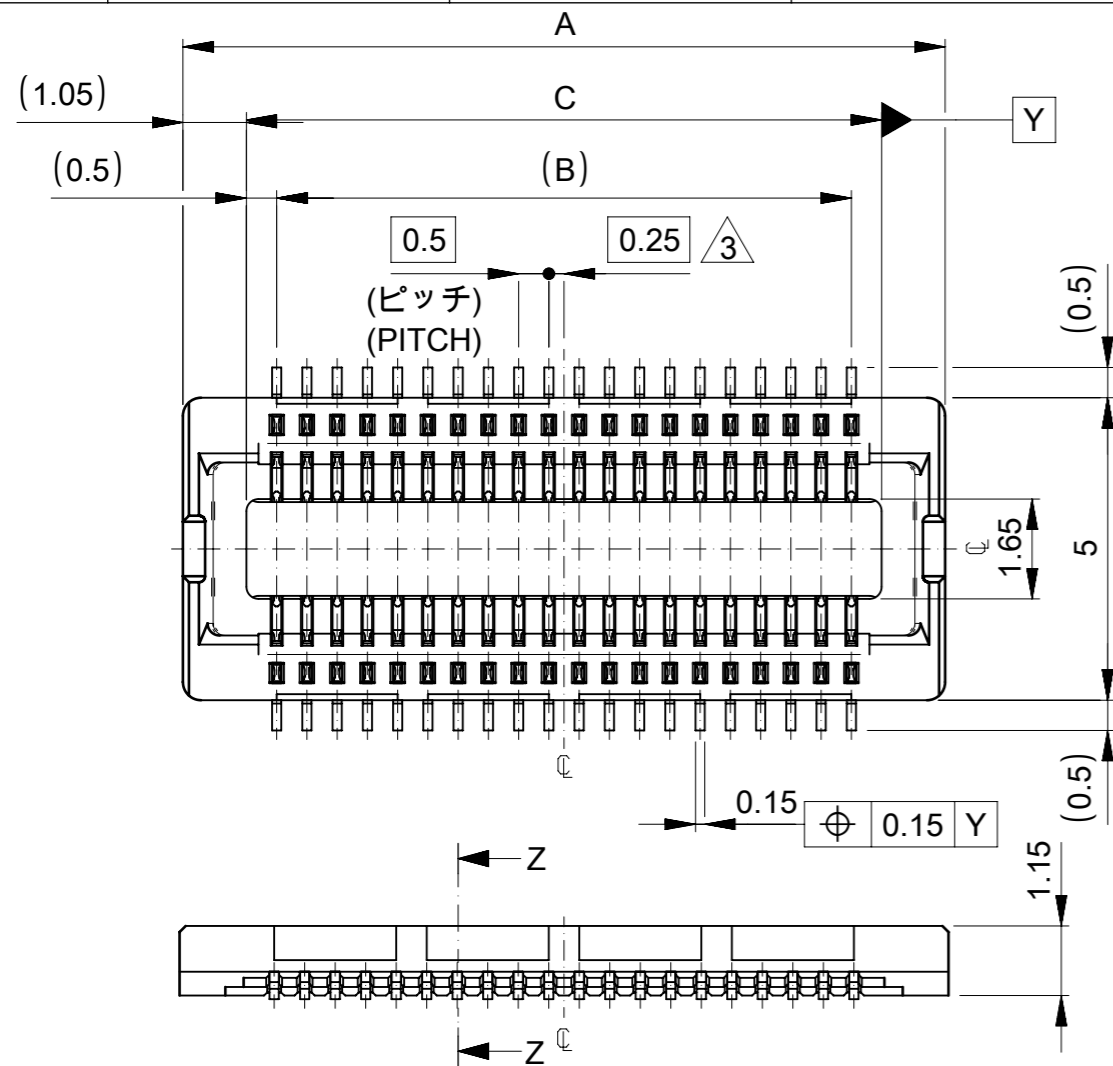
CONNECTOR SERIES No. 54722-\*\*\*3



トレードマーク  
TRADE MARK

THIS DRAWING CONTAINS INFORMATION THAT IS PROPRIETARY TO MOLEX ELECTRONIC TECHNOLOGIES, LLC AND SHOULD NOT BE USED WITHOUT WRITTEN PERMISSION

GENERAL TOLERANCES (UNLESS SPECIFIED)		mm	SCALE	CURRENT REV DESC: REVISED		<b>molex</b>	
0.25 <sup>UNDER</sup>		±0.2	8:1	EC NO: 642297			
0.25 <sup>OVER</sup> 0.5 <sup>UNDER</sup>		±0.2	ANGULAR TOL	DRWN: SCV		0.5 MM PITCH B-TO-B CONN. HEIGHT = 1.5 RECEPTACLE	
0.5 <sup>OVER</sup> 1.0 <sup>UNDER</sup>		±0.2	4 PLACES	CHK'D: HSHIMOMYAMA		PRODUCT CUSTOMER DRAWING	
1.0 <sup>OVER</sup> 1.0 <sup>UNDER</sup>		±0.2	3 PLACES	APPR: SHOSHIKAWA		DOCUMENT NUMBER	
10 <sup>OVER</sup> 30 <sup>UNDER</sup>		±0.25	2 PLACES	INITIAL REVISION:		DOC TYPE DOC PART REVISION	
30 <sup>OVER</sup>		±0.3	1 PLACE	DRWN: T.ITO		SD-54722-011	
ANGULAR+3°		±	0 PLACES	APPR: T.YAMAGUCHI		PSD 001 D	
DRAFT WHERE APPLICABLE MUST REMAIN WITHIN DIMENSIONS		DRAFT WHERE APPLICABLE MUST REMAIN WITHIN DIMENSIONS		THIRD ANGLE PROJECTION	DRAWING	SERIES	MATERIAL NUMBER
					A3-SIZE	54722	SEE TABLE
DOCUMENT STATUS		P1	RELEASE DATE	2020/11/30	03:37:43	CUSTOMER	
						GENERAL	
						SHEET NUMBER	
						1 OF 3	



参考基板レイアウト (マウント面)  
P.C.BOARD PATTERN DIMENSION (REFERENCE)  
(MOUNTING AREA)

34 極以上品形状  
SHAPE OF 34 CIRCUITS OR MORE

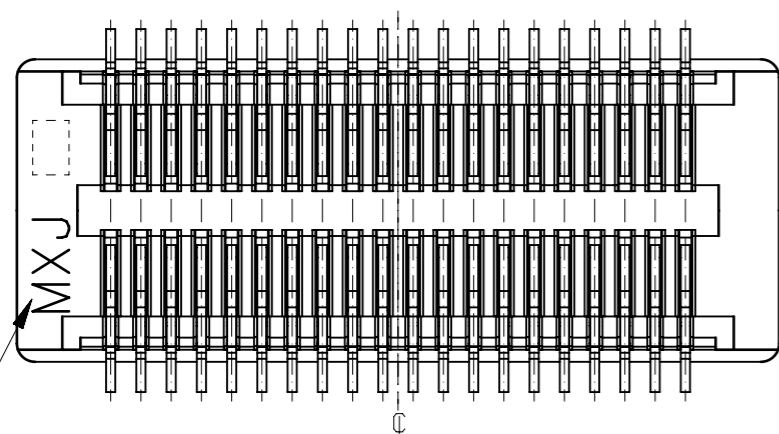
注記 NOTES:

1. 使用材料 MATERIAL  
ハウジング : 液晶ポリマーガラス充填, UL94V-0 (黒)  
HOUSING : LIQUID CRYSTAL POLYMER (GLASS FILLED)  
UL94V-0 (COLOR:BLACK)  
ターミナル : リン青銅 (t=0.15)  
TERMINAL : PHOSPHOR BRONZE (t=0.15)

2. メッキ仕様 PLATING  
金メッキ 0.25 マイクロメートル以上 (コンタクト部)  
GOLD 0.25 MICROMETER MINIMUM (CONTACT AREA).  
金メッキ 0.4 マイクロメートル以下 (テール部)  
GOLD 0.4 MICROMETER MAXIMUM (TAIL AREA).  
下地メッキ: ニッケルメッキ 1.5 マイクロメートル以上  
UNDER PLATING : NICKEL 1.5 MICROMETER MINIMUM.

\*コンタクト部とテール部はニッケルメッキによって分断されている金メッキです。  
DIVIDE INTO PARTS THE GOLD PLATING OF THE CONTACT AND THE TAIL PART BY THE NICKEL PLATING.

3. (全極数 / 2) = 偶数の場合に適用。  
APPLY FOR (CIRCUIT/2)=EVEN.
4. 嵌合相手 : 55560シリーズ(嵌合高さ = 1.5mm)  
MATE WITH : 55560 SERIES.(HEIGHT=1.5mm)
5. テール平坦度は、0.1以下  
TAIL COPLANARITY TO BE 0.1 MAXIMUM.



トレードマーク  
TRADE MARK

20.5	19.5	22.6	54722-0804	80
15.5	14.5	17.6	54722-0604	60
13.0	12.0	15.1	54722-0504	50
10.5	9.5	12.6	54722-0404	40
9.5	8.5	11.6	54722-0364	36
9.0	8.0	11.1	54722-0344	34
C	B	A	Emboss tape Package ORDER No. オーダー番号	極数 CIRCUIT

CONNECTOR SERIES No. 54722-\*\*\*3

THIS DRAWING CONTAINS INFORMATION THAT IS PROPRIETARY TO MOLEX ELECTRONIC TECHNOLOGIES, LLC AND SHOULD NOT BE USED WITHOUT WRITTEN PERMISSION

GENERAL TOLERANCES (UNLESS SPECIFIED)		mm	SCALE
0.25 <sup>UNDER</sup>	±0.2	mm	8:1
0.25 <sup>OVER</sup> 0.5 <sup>UNDER</sup>	±0.2	GENERAL TOLERANCES (UNLESS SPECIFIED)	
0.5 <sup>OVER</sup> 1.0 <sup>UNDER</sup>	±0.2	ANGULAR TOL	±
1.0 <sup>OVER</sup> 1.0 <sup>UNDER</sup>	±0.2	4 PLACES	±
1.0 <sup>OVER</sup> 3.0 <sup>UNDER</sup>	±0.25	3 PLACES	±
3.0 <sup>OVER</sup>	±0.3	2 PLACES	±
ANGULAR+3°		1 PLACE	±
0 PLACES		0 PLACES	±

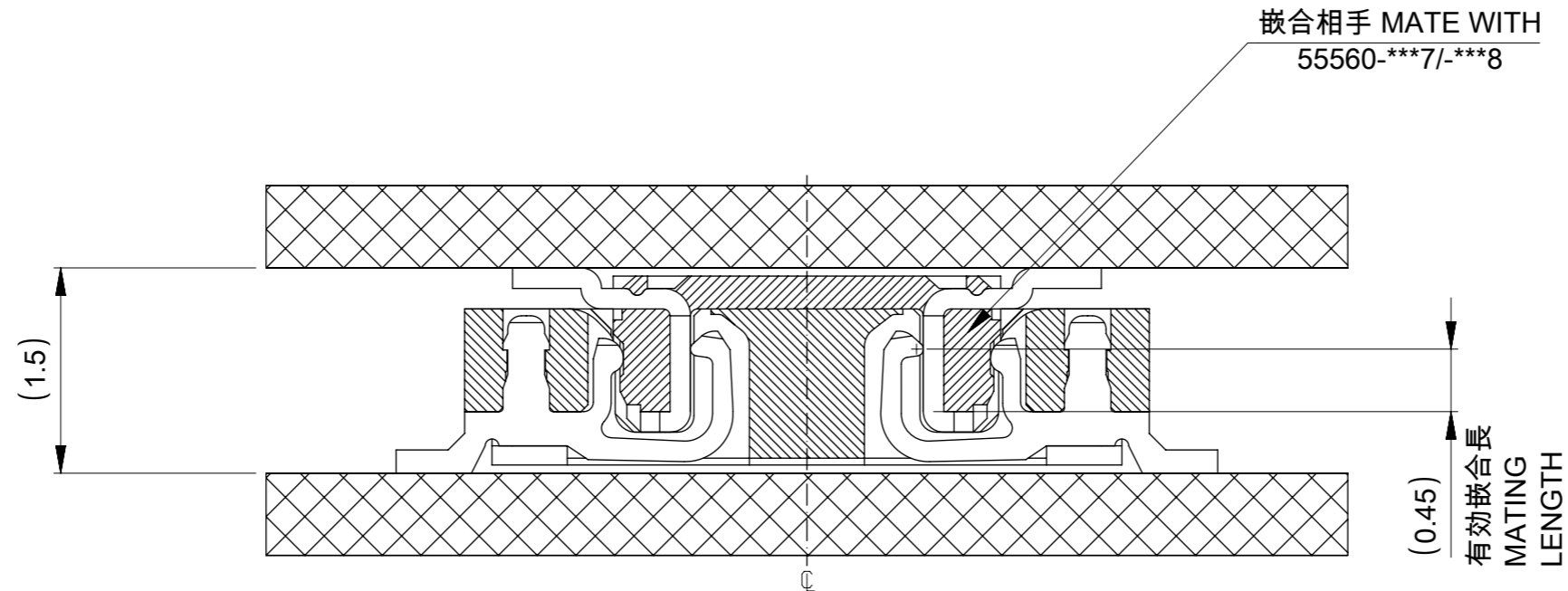
EC NO: 642297  
DRWN: SCV  
CHK'D: HSHIMOMYAMA  
APPR: SHOSHIKAWA  
INITIAL REVISION:  
DRWN: T.ITO  
APPR: T.YAMAGUCHI

**molex**

0.5 MM PITCH B-TO-B CONN.  
HEIGHT = 1.5 RECEPTACLE

PRODUCT CUSTOMER DRAWING

DOCUMENT NUMBER: SD-54722-011  
DOC TYPE: PSD  
DOC PART: 001  
REVISION: D

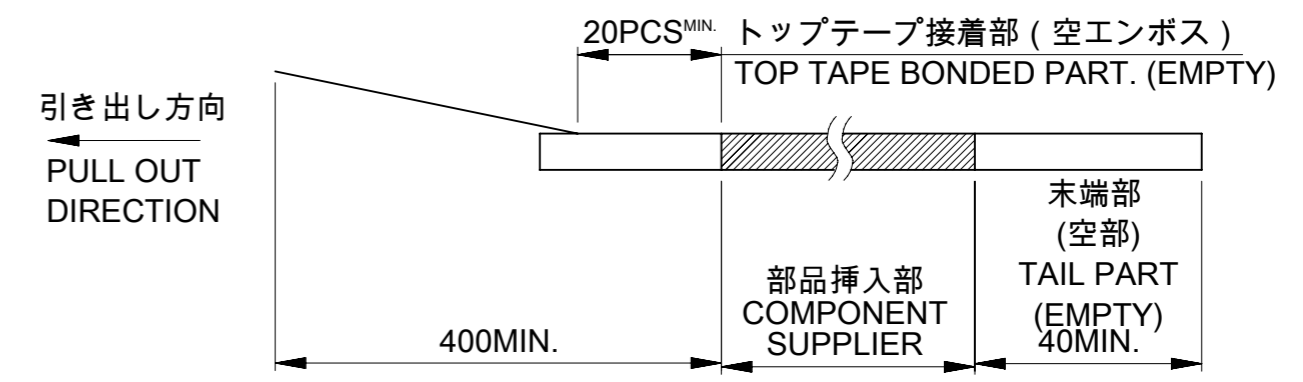
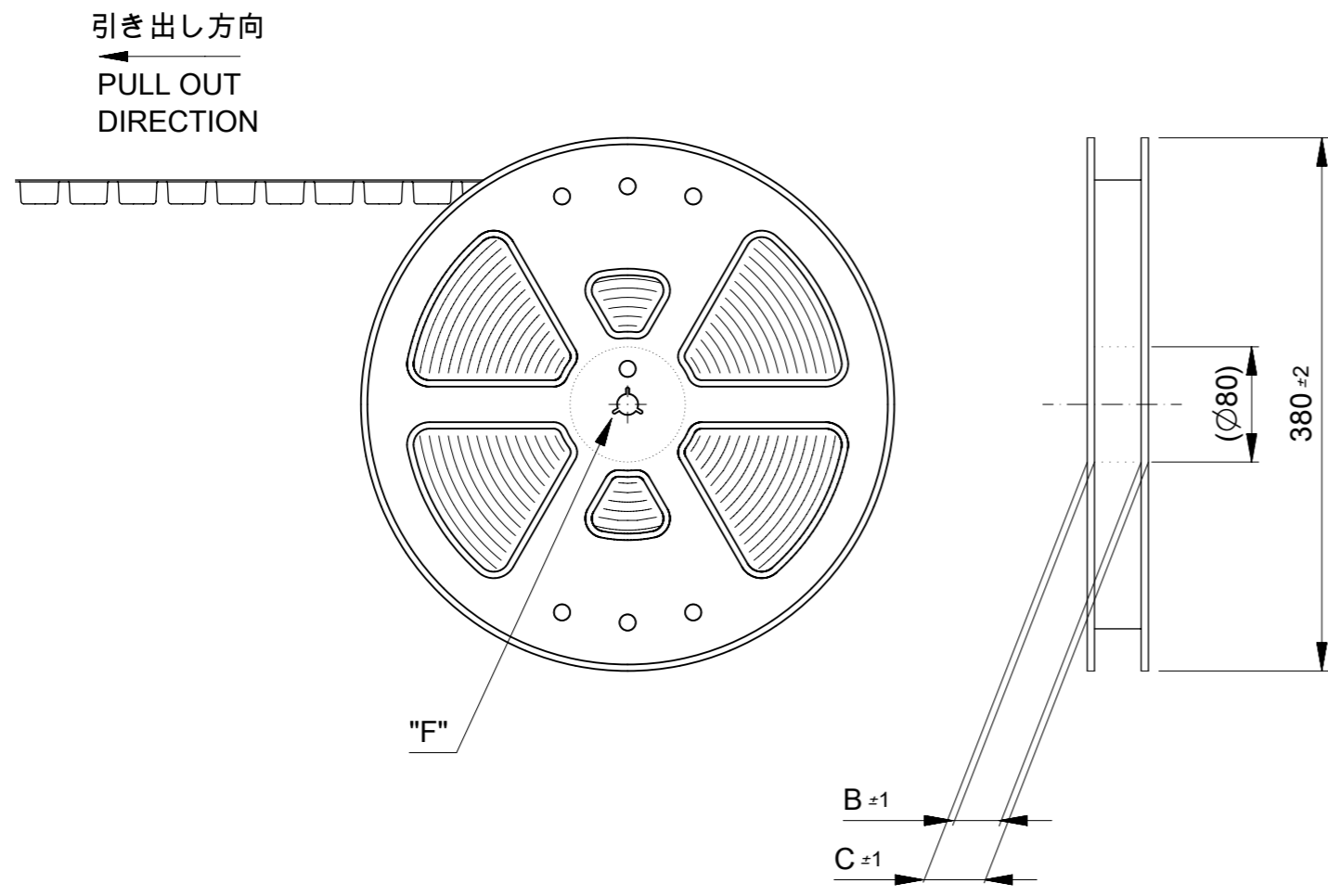


嵌合断面図 (参考)  
MATED DRAWING (REF.)

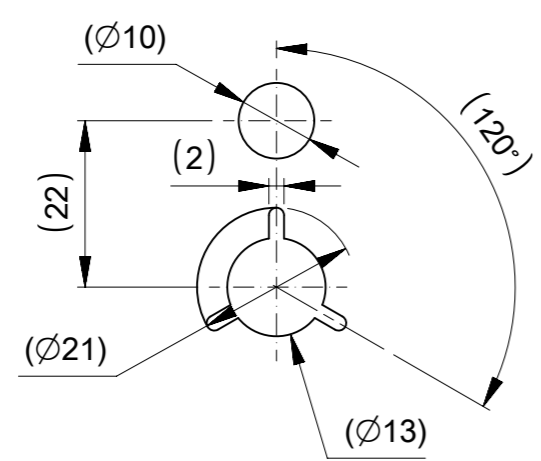
GENERAL TOLERANCES (UNLESS SPECIFIED)		DIMENSION UNITS		SCALE		CURRENT REV DESC: REVISED		<b>molex</b>	
0.25 <sup>OVER</sup>	±0.2	mm	20:1						
GENERAL TOLERANCES (UNLESS SPECIFIED)		GENERAL TOLERANCES (UNLESS SPECIFIED)		ANGULAR TOL		EC NO: 642297		0.5 MM PITCH B-TO-B CONN. HEIGHT = 1.5 RECEPTACLE	
0.25 <sup>OVER</sup> 0.5 <sup>UNDER</sup>	±0.2			±	*	DRWN: SCV 2020/07/29			
0.5 <sup>OVER</sup> 1.0 <sup>UNDER</sup>	±0.2			4 PLACES	±	CHK'D: HSHIMOYAMA 2020/11/30			
1.0 <sup>OVER</sup> 10 <sup>UNDER</sup>	±0.2			3 PLACES	±	APPR: SHOSHIKAWA 2020/11/30		PRODUCT CUSTOMER DRAWING	
10 <sup>OVER</sup> 30 <sup>UNDER</sup>	±0.25			2 PLACES	±	INITIAL REVISION:		DOCUMENT NUMBER	
30 <sup>OVER</sup>	±0.3			1 PLACE	±	DRWN: T.ITO 2003/08/20		SD-54722-011	
ANGULAR±3°				0 PLACES	±	APPR: T.YAMAGUCHI 2003/08/20		DOC TYPE DOC PART REVISION	
DRAFT WHERE APPLICABLE MUST REMAIN WITHIN DIMENSIONS		DRAFT WHERE APPLICABLE MUST REMAIN WITHIN DIMENSIONS		THIRD ANGLE PROJECTION		DRAWING		SERIES	
						A3-SIZE		54722	
MATERIAL NUMBER		CUSTOMER		SHEET NUMBER					
SEE TABLE		GENERAL		3 OF 3					

### 注記 NOTE

- 製品詳細寸法については図面 SD-54722-011 を参照下さい。  
DETAIL DIMENSIONS, SEE SD-54722-011
- 梱包数量 : 3000個 / リール  
NUMBER OF CONNECTORS : 3000PCS/REEL
- リードテープ長さ LEAD TAPE LENGTH

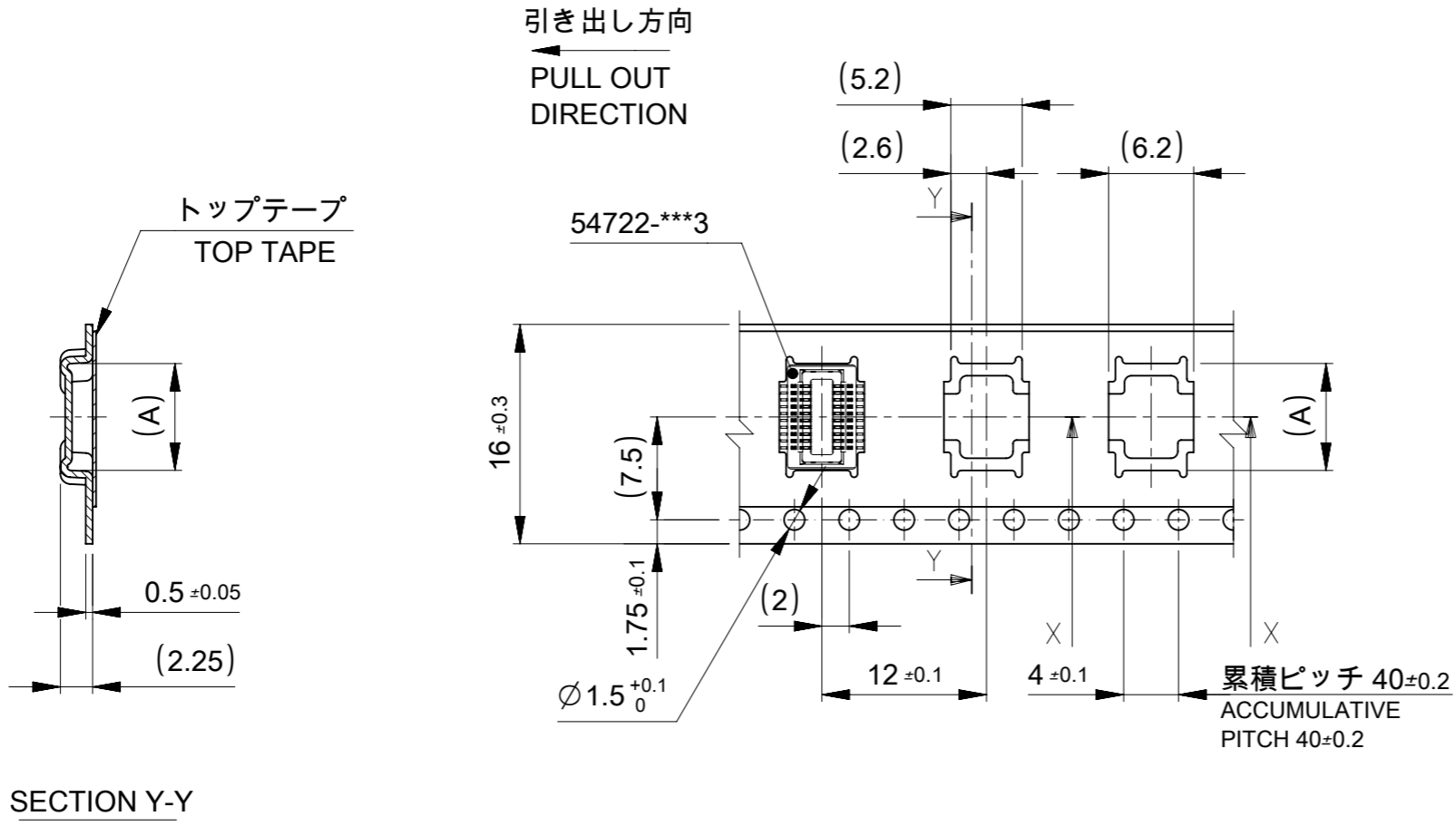


- カバーテープの剥離強度については、IEC60286-3に準拠  
COVER TAPE PEEL FORCE IS DEFINED BY IEC60286-3.
- 材料 (MATERIAL)  
キャリアテープ (CARRIER TAPE) : ポリプロピレン (POLYPROPYLENE)  
トップテープ (TOP TAPE) : PET, PE, PEF  
リール (REEL) : ポリスチレン (PS) <リサイクル材を含む>  
POLYSTYRENE(PS) <RECYCLE MATERIAL CONTAINED >



DETAIL "F"

THIS DRAWING CONTAINS INFORMATION THAT IS PROPRIETARY TO MOLEX ELECTRONIC TECHNOLOGIES, LLC AND SHOULD NOT BE USED WITHOUT WRITTEN PERMISSION		CURRENT REV DESC: REVISED		<b>molex</b>	
DIMENSION UNITS	SCALE				
mm	NTS			PRODUCT CUSTOMER DRAWING	
GENERAL TOLERANCES (UNLESS SPECIFIED)		GENERAL TOLERANCES (UNLESS SPECIFIED)		DOCUMENT NUMBER	
ANGULAR TOL ± °		ANGULAR TOL ± °		SD-54722-012	
4 PLACES ±		4 PLACES ±		DOC TYPE DOC PART REVISION	
3 PLACES ±		3 PLACES ±		PSD 001 D	
2 PLACES ±		2 PLACES ±		MATERIAL NUMBER	
1 PLACE ±		1 PLACE ±		SEE SHEET 2-5	
0 PLACES ±		0 PLACES ±		CUSTOMER	
DRAFT WHERE APPLICABLE MUST REMAIN WITHIN DIMENSIONS		DRAFT WHERE APPLICABLE MUST REMAIN WITHIN DIMENSIONS		GENERAL	
		THIRD ANGLE PROJECTION		SHEET NUMBER	
		DRAWING		1 OF 5	
		SERIES			
		A3-SIZE			
		54722			



16 mm幅キャリアテープ  
16mm WIDTH CARRIER TAPE

16	21.4	17.4	6.8	54722-0204	20
				54722-0164	16
キャリアテープ幅 CARRIER TAPE WIDTH		C	B	(A)	極数 CIRCUIT
				MATERIAL NO.	

THIS DRAWING CONTAINS INFORMATION THAT IS PROPRIETARY TO MOLEX ELECTRONIC TECHNOLOGIES, LLC AND SHOULD NOT BE USED WITHOUT WRITTEN PERMISSION

CURRENT REV DESC: REVISED

**molex**

0.5 MM PITCH B-TO-B CONN.  
HEIGHT = 1.5 RECEPTACLE EMBOSS TAPE  
PACKAGE

PRODUCT CUSTOMER DRAWING

EC NO: 649457  
DRWN: SCV 2020/07/29  
CHK'D: HSHIMOYAMA 2020/12/02  
APPR: SHOSHIKAWA 2020/12/02

INITIAL REVISION:  
DRWN: T.ITO 2003/08/20  
APPR: Y.YAMAGUCHI 2003/08/20

DOCUMENT NUMBER: SD-54722-012  
DOC TYPE: PSD  
DOC PART: 001  
REVISION: D

DRAFT WHERE APPLICABLE MUST REMAIN WITHIN DIMENSIONS

THIRD ANGLE PROJECTION

DRAWING: A3-SIZE

SERIES: 54722

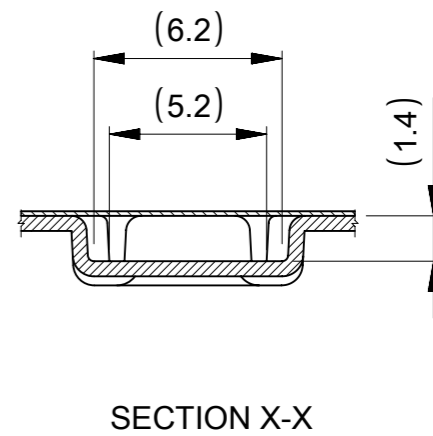
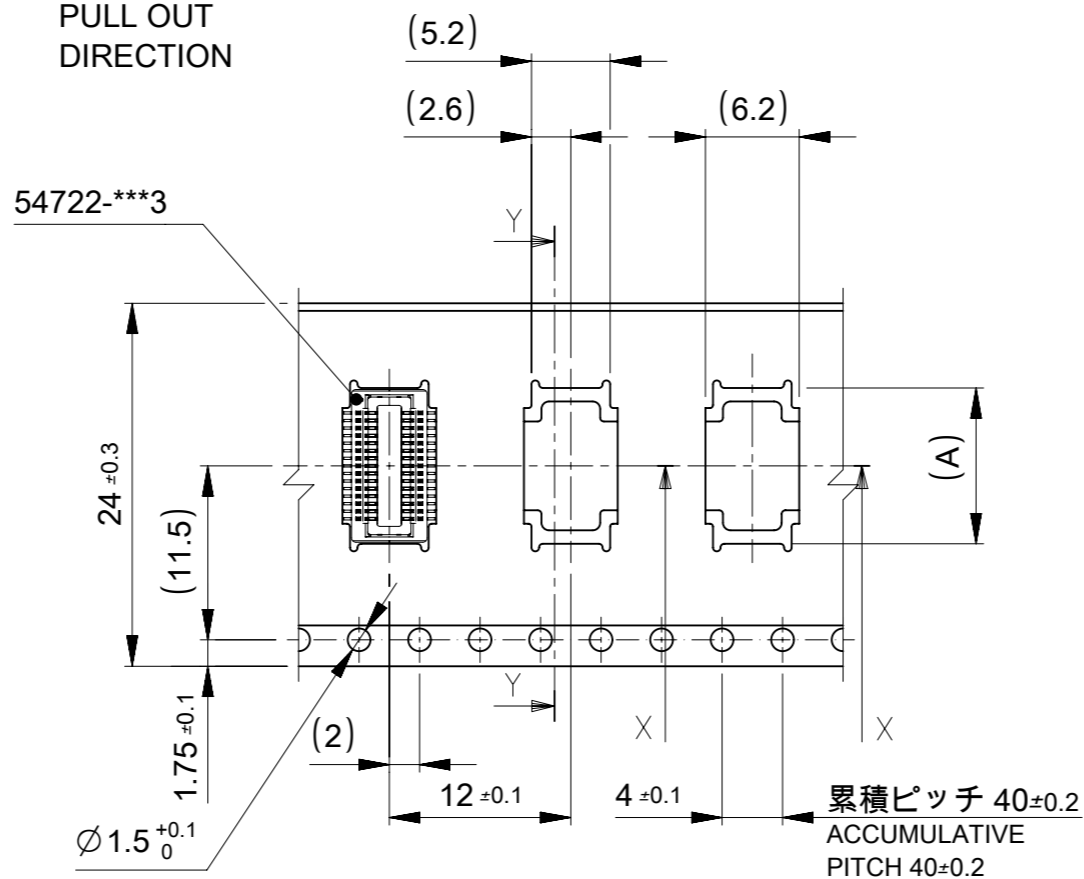
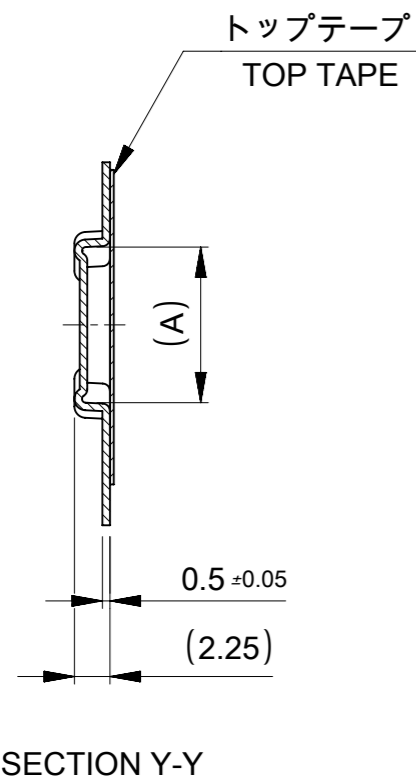
MATERIAL NUMBER: SEE TABLE

CUSTOMER: GENERAL

SHEET NUMBER: 2 OF 5



引き出し方向  
 ←  
 PULL OUT  
 DIRECTION



24 mm幅キャリアテープ  
 24mm WIDTH CARRIER TAPE

24	29.4	25.4	15.3	54722-0504	50		
			12.8	54722-0404	40		
			11.8	54722-0364	36		
			11.3	54722-0344	34		
			10.3	54722-0304	30		
			8.8	54722-0244	24		
			8.3	54722-0224	22		
キャリアテープ幅 CARRIER TAPE WIDTH			C	B	(A)	MATERIAL NO.	極数 CIRCUIT

THIS DRAWING CONTAINS INFORMATION THAT IS PROPRIETARY TO MOLEX ELECTRONIC TECHNOLOGIES, LLC AND SHOULD NOT BE USED WITHOUT WRITTEN PERMISSION

DIMENSION UNITS: mm SCALE: NTS

CURRENT REV DESC: REVISED

**molex**

0.5 MM PITCH B-TO-B CONN.  
HEIGHT = 1.5 RECEPTACLE EMBOSS TAPE PACKAGE

PRODUCT CUSTOMER DRAWING

EC NO: 649457  
DRWN: SCV 2020/07/29  
CHK'D: HSHIMUYAMA 2020/12/02  
APPR: SHOSHIKAWA 2020/12/02

INITIAL REVISION:  
DRWN: T.ITO 2003/08/20  
APPR: Y.YAMAGUCHI 2003/08/20

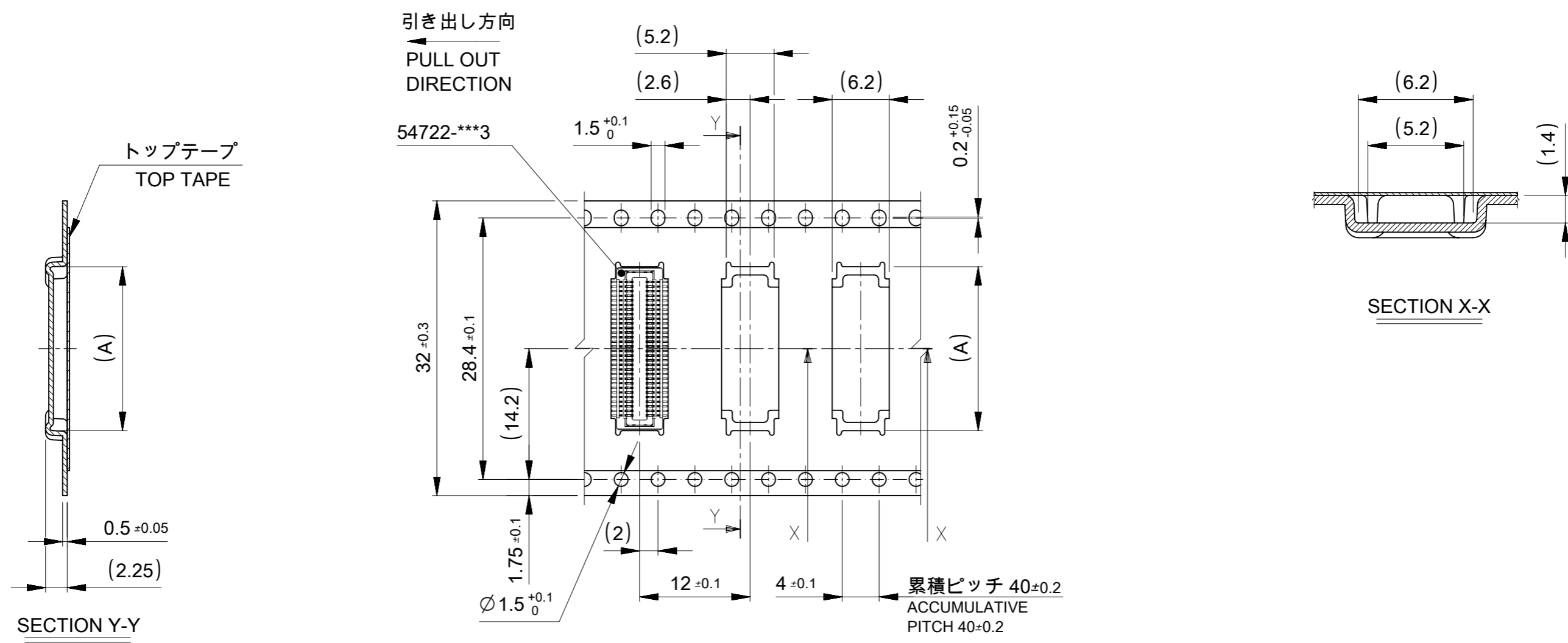
DOCUMENT NUMBER: SD-54722-012 DOC TYPE: PSD DOC PART: 001 REVISION: D

DRAFT WHERE APPLICABLE MUST REMAIN WITHIN DIMENSIONS

THIRD ANGLE PROJECTION

DRAWING: A3-SIZE SERIES: 54722 MATERIAL NUMBER: SEE TABLE CUSTOMER: GENERAL SHEET NUMBER: 3 OF 5

GENERAL TOLERANCES (UNLESS SPECIFIED)	
10 <sup>UNDER</sup>	± 0.2
10 <sup>OVER</sup> 30 <sup>UNDER</sup>	± 0.25
30 <sup>OVER</sup>	± 0.3
ANGULAR ± 3°	
DRAFT WHERE APPLICABLE MUST REMAIN WITHIN DIMENSIONS	



32 mm幅キャリアテープ  
32mm WIDTH CARRIER TAPE

32	37.4	33.4	17.8	54722-0604	60
キャリアテープ幅 CARRIER TAPE WIDTH		C	B	(A) MATERIAL NO.	極数 CIRCUIT

THIS DRAWING CONTAINS INFORMATION THAT IS PROPRIETARY TO MOLEX ELECTRONIC TECHNOLOGIES, LLC AND SHOULD NOT BE USED WITHOUT WRITTEN PERMISSION

DIMENSION UNITS: mm SCALE: NTS

GENERAL TOLERANCES (UNLESS SPECIFIED):

10 <sup>UNDER</sup>	±0.2
10 <sup>OVER</sup> 30 <sup>UNDER</sup>	±0.25
30 <sup>OVER</sup>	±0.3

ANGULAR TOL: ± 3°

DRAFT WHERE APPLICABLE MUST REMAIN WITHIN DIMENSIONS

THIRD ANGLE PROJECTION

DRAWING: A3-SIZE

SERIES: 54722

MATERIAL NUMBER: SEE TABLE

CUSTOMER: GENERAL

SHEET NUMBER: 4 OF 5

EC NO: 649457  
DRWN: SCV  
CHK'D: HSHIMOYAMA  
APPR: SHOSHIKAWA

INITIAL REVISION:  
DRWN: T.ITO  
APPR: Y.YAMAGUCHI

2020/07/29  
2020/12/02  
2020/12/02

2003/08/20  
2003/08/20

DOCUMENT NUMBER: SD-54722-012

DOC TYPE: PSD

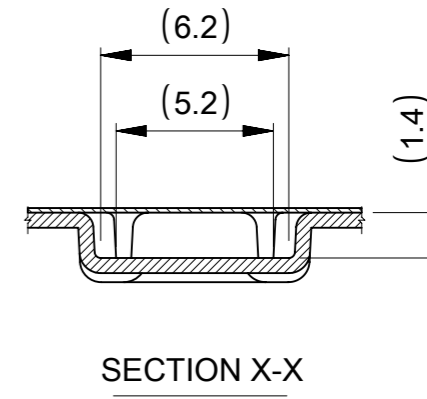
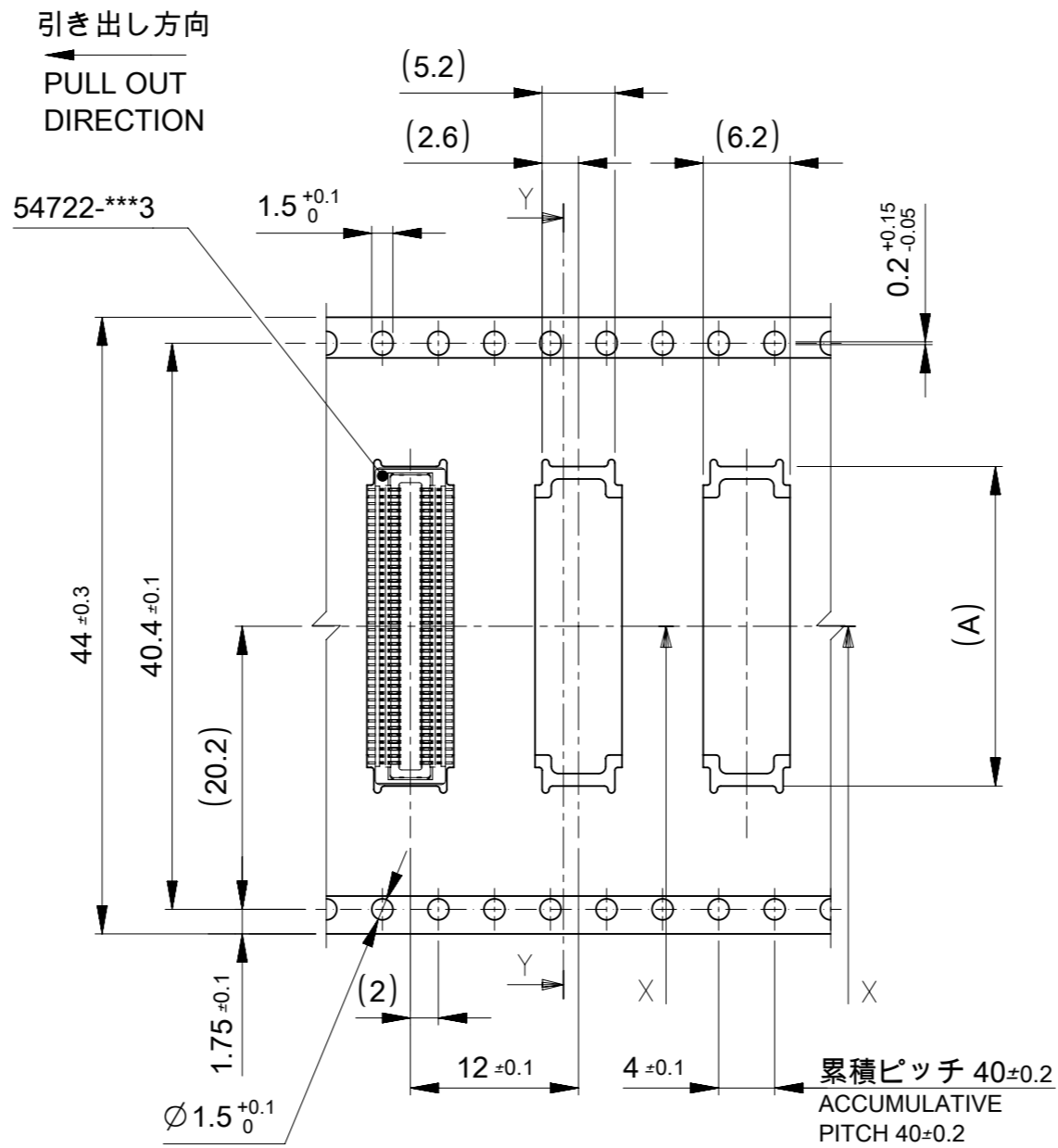
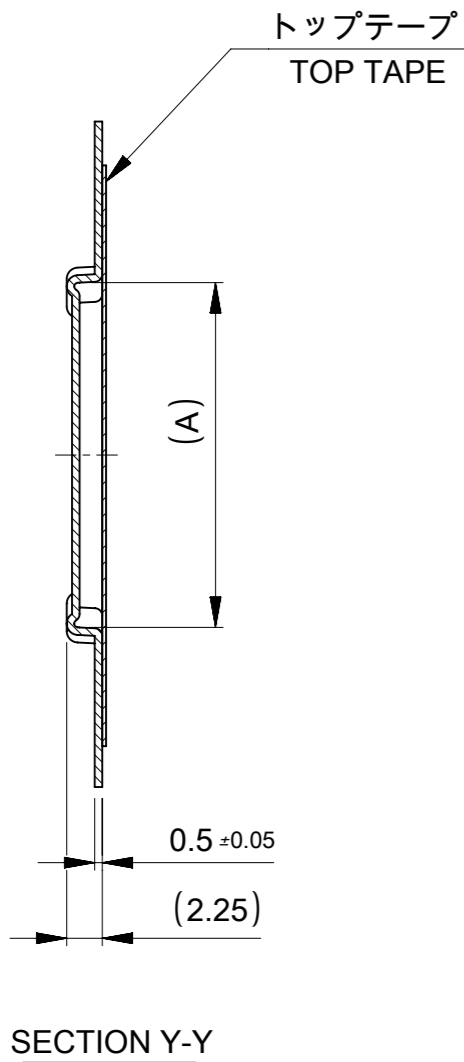
DOC PART: 001

REVISION: D

**molex**

0.5 MM PITCH B-TO-B CONN.  
HEIGHT = 1.5 RECEPTACLE EMBOSS TAPE PACKAGE

PRODUCT CUSTOMER DRAWING



44 mm幅キャリアテープ  
44mm WIDTH CARRIER TAPE

44	49.4	45.4	22.8	54722-0804	80
キャリアテープ幅 CARRIER TAPE WIDTH	C	B	(A)	MATERIAL NO.	極数 CIRCUIT

THIS DRAWING CONTAINS INFORMATION THAT IS PROPRIETARY TO MOLEX ELECTRONIC TECHNOLOGIES, LLC AND SHOULD NOT BE USED WITHOUT WRITTEN PERMISSION		CURRENT REV DESC: REVISED		<b>molex</b>	
DIMENSION UNITS mm	SCALE NTS				
GENERAL TOLERANCES (UNLESS SPECIFIED)		GENERAL TOLERANCES (UNLESS SPECIFIED)		0.5 MM PITCH B-TO-B CONN. HEIGHT = 1.5 RECEPTACLE EMBOSS TAPE PACKAGE	
10 <sup>UNDER</sup>	±0.2	4 PLACES	±	PRODUCT CUSTOMER DRAWING	
10 <sup>OVER</sup> 30 <sup>UNDER</sup>	±0.25	3 PLACES	±	DOCUMENT NUMBER	
30 <sup>OVER</sup>	±0.3	2 PLACES	±	SD-54722-012	
ANGULAR ±3°		1 PLACE	±	DOC TYPE	DOC PART
DRAFT WHERE APPLICABLE MUST REMAIN WITHIN DIMENSIONS		DRAFT WHERE APPLICABLE MUST REMAIN WITHIN DIMENSIONS		PSD	001
		THIRD ANGLE PROJECTION		REVISION	D
		DRAWING		SHEET NUMBER	
		A3-SIZE		5 OF 5	
		SERIES		MATERIAL NUMBER	
		54722		SEE TABLE	
		CUSTOMER		GENERAL	