

产品编号 : [547220224](#)

Product Description : 0.50mm Pitch SlimStack Receptacle, Surface Mount, Dual Row, Vertical, 1.50mm Stacking Height, Lower Circuit Size Version, 22 Circuits, Gold Plating with Nickel Barrier Plating Between Contact and Tail

系列号 : 54722

状态 : Active

Product Category : Board-to-Board Connectors

文件和资源

图纸

[图纸 547220224_sd.pdf](#)

[包装设计图 SPK-54722-001-002.pdf](#)

3D 模型和设计文件

[2D 图纸 DXF 547220224.dxf](#)

[2D 图纸 DXF PDF 547220224.pdf](#)

[3D模型 547220224_stp.zip](#)


规格

[应用规格 547220000-A00.pdf](#)

[产品规格 PS-54722-010-001.pdf](#)

产物环境合规

合规

GADSL/IMDS	Compliant with Exemption 44; 34; 33
China RoHS	
EU ELV	Not Relevant
Low-Halogen Status	Low-Halogen per IEC 61249-2-21
REACH SVHC	Not Contained per D(2023)8585-DC (23 Jan 2024)
EU RoHS	Compliant per EU 2015/863

多部分产品合规性声明

- Eu RoHS
- REACH SVHC
- Low-Halogen

- IPC 1752A Class C
- IPC 1752A Class D
- Molex Product Compliance Declaration
- IEC-62474
- chemSHERPA (xml)

欧盟 RoHS 合格证书

产品详情

常规

状态	活动
类别	Board-to-Board Connectors
系列	54722
说明	0.50mm Pitch SlimStack Receptacle, Surface Mount, Dual Row, Vertical, 1.50mm Stacking Height, Lower Circuit Size Version, 22 Circuits, Gold Plating with Nickel Barrier Plating Between Contact and Tail
产品系列	0.5, BB H1.5
应用	Board-to-Board, Signal
个评论	Embossed Tape Reel Height: 380.00mm; Gold plating with Nickel plating between contact and tail
元件类型	PCB Receptacle
产品系列	SlimStack Board-to-Board/Board-to-FPC Connectors
产品名称	SlimStack
UPC	756054574331

机构

UL	E29179
----	--------

电气

每触点最大电流	0.5A
电压 - 最大	50V

物理

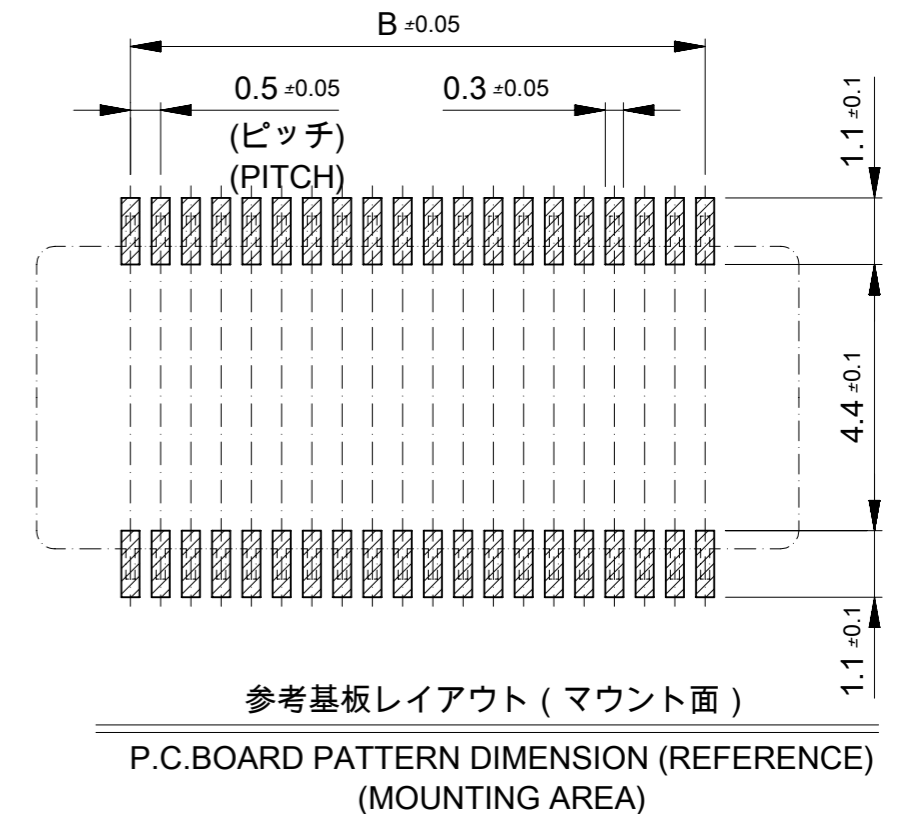
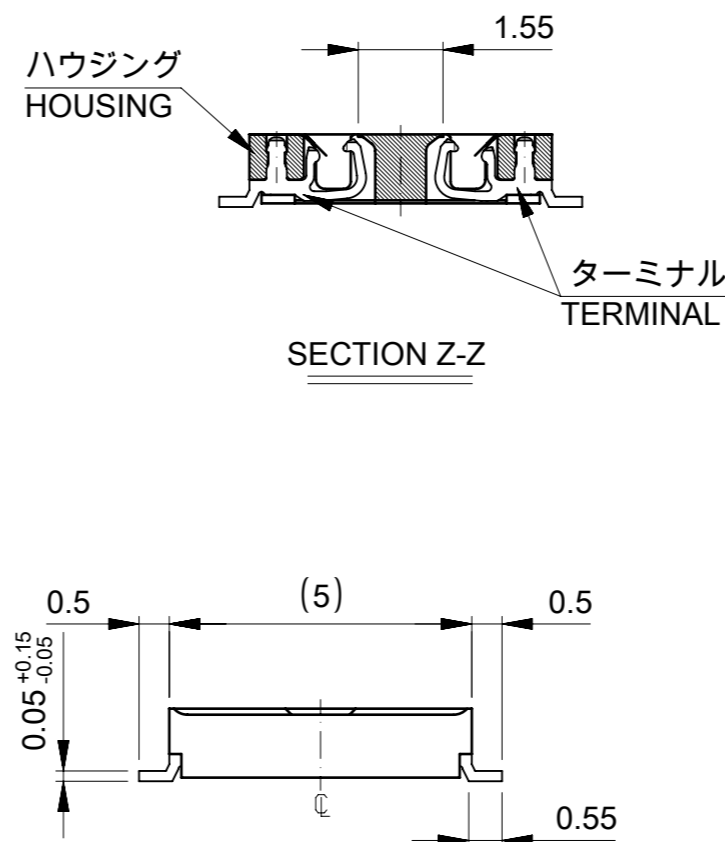
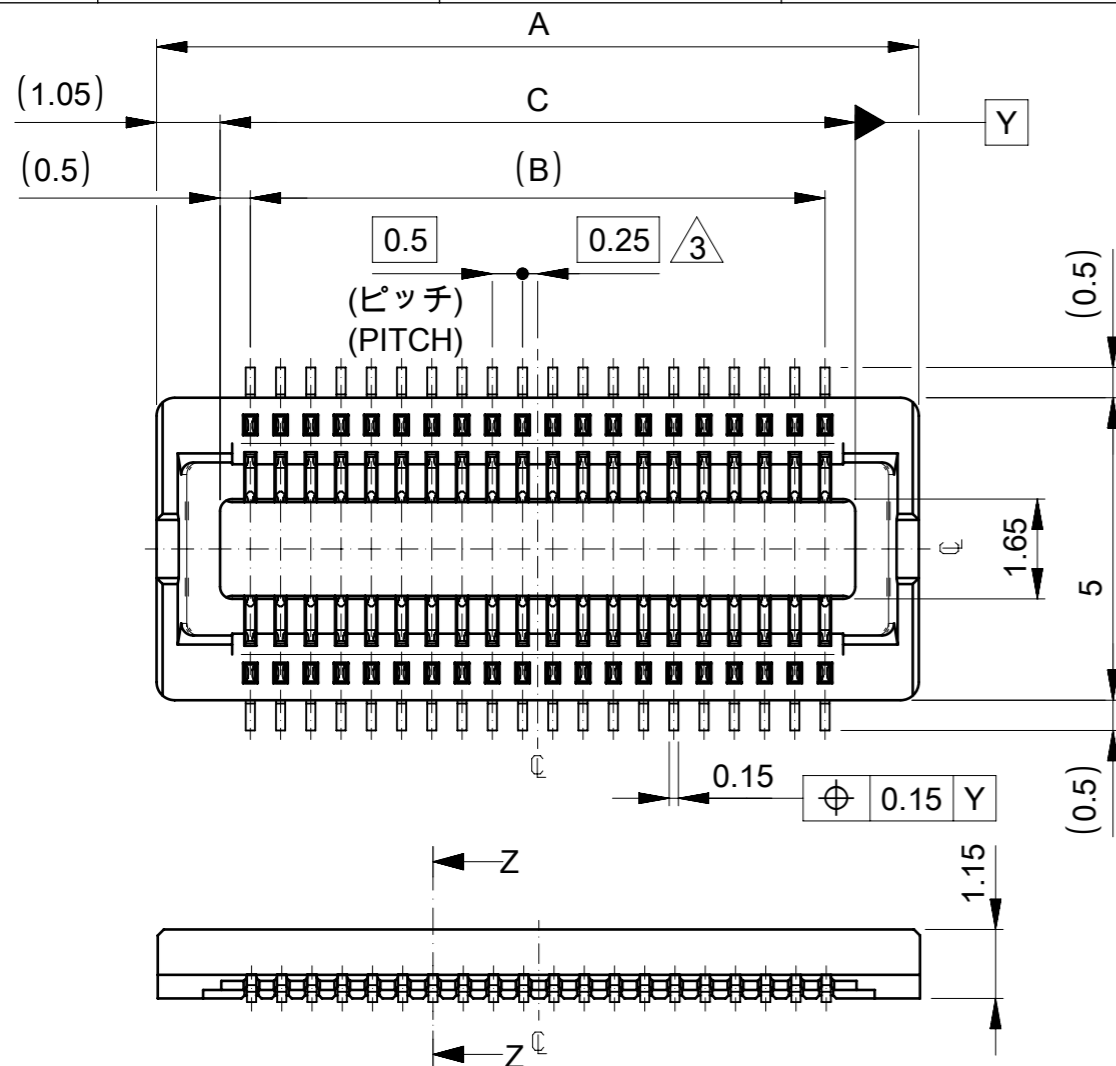
回路数 (已载入)	22
-----------	----

电路数 (最多)	22
颜色-树脂	黑色
耐用性(插拔次数) - 最多次数	30
符合灼热丝规范	否
锁定插接部位	无
插配长度	1.50mm
插配宽度	6.00mm
材料 - 金属	Phosphor Bronze
材料 - 接合部位电镀	金牌
材料 - 终端电镀	金牌
材料 - 树脂	High Temperature Thermoplastic
净重	75.481/mg
行数	2
方向	垂直
包装形式	Embossed Tape on Reel
PCB 定位器	否
PCB 保持力	无
推荐的 PCB 厚度	1.60mm
间距 - 插配接口	0.50mm
最薄镀层 - 接合部位	0.254µm
最薄镀层 - 端接	0.051µm
PCB 极性	否
运行温度范围	-40° to +105° C
终端界面类型	Surface Mount

可配插/可连接使用的产品

可配插部件

描述	产品编号
0.50mm Pitch Vertical SlimStack Plugs	<u>55560</u>



30 極以下品形状
SHAPE OF 30 CIRCUITS OR LESS

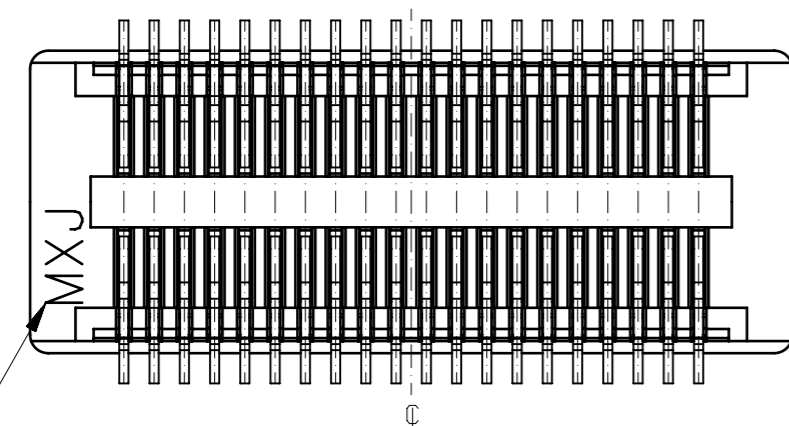
注記 NOTES:

- 使用材料 MATERIAL
ハウジング : 液晶ポリマーガラス充填, UL94V-0 (黒)
HOUSING : LIQUID CRYSTAL POLYMER (GLASS FILLED)
UL94V-0 (COLOR:BLACK)
ターミナル : リン青銅 (t=0.15)
TERMINAL : PHOSPHOR BRONZE (t=0.15)
- メッキ仕様 PLATING
金メッキ 0.25 マイクロメートル以上 (コンタクト部)
GOLD 0.25 MICROMETER MINIMUM (CONTACT AREA).
金メッキ 0.4 マイクロメートル以下 (テール部)
GOLD 0.4 MICROMETER MAXIMUM (TAIL AREA).
下地メッキ: ニッケルメッキ 1.5 マイクロメートル以上
UNDER PLATING : NICKEL 1.5 MICROMETER MINIMUM.
*コンタクト部とテール部はニッケルメッキによって分断されている金メッキです。
DIVIDE INTO PARTS THE GOLD PLATING OF THE CONTACT AND THE TAIL PART BY THE NICKEL PLATING.

- (全極数 / 2) = 偶数の場合に適用。
APPLY FOR (CIRCUIT/2)=EVEN.
- 嵌合相手 : 55560シリーズ(嵌合高さ = 1.5mm)
MATE WITH : 55560 SERIES.(HEIGHT=1.5mm)
- テール平坦度は、0.1以下
TAIL COPLANARITY TO BE 0.1 MAXIMUM.

8.0	7.0	10.1	54722-0304	30
6.5	5.5	8.6	54722-0244	24
6.0	5.0	8.1	54722-0224	22
5.5	4.5	7.6	54722-0204	20
4.5	3.5	6.6	54722-0164	16
C	B	A	Emboss tape Package ORDER No. オーダー番号	極数 CIRCUIT

CONNECTOR SERIES No. 54722-***3

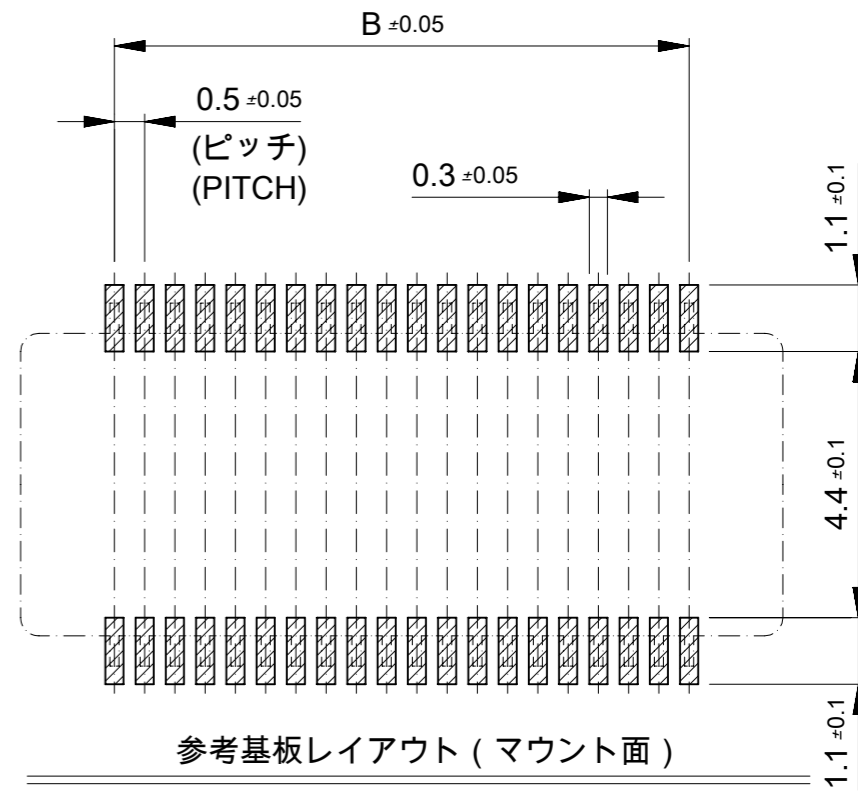
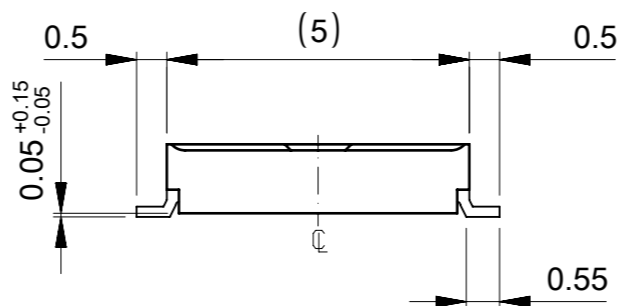
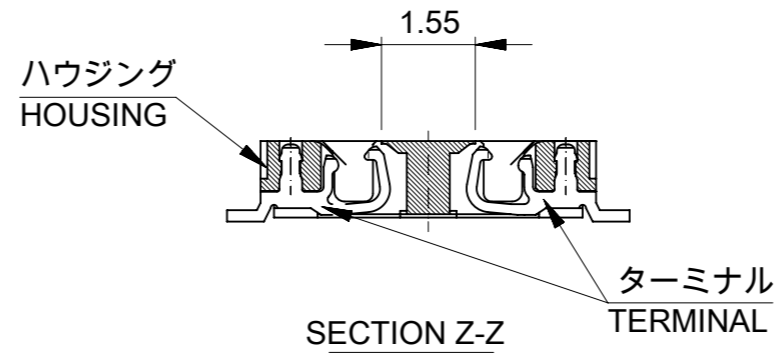
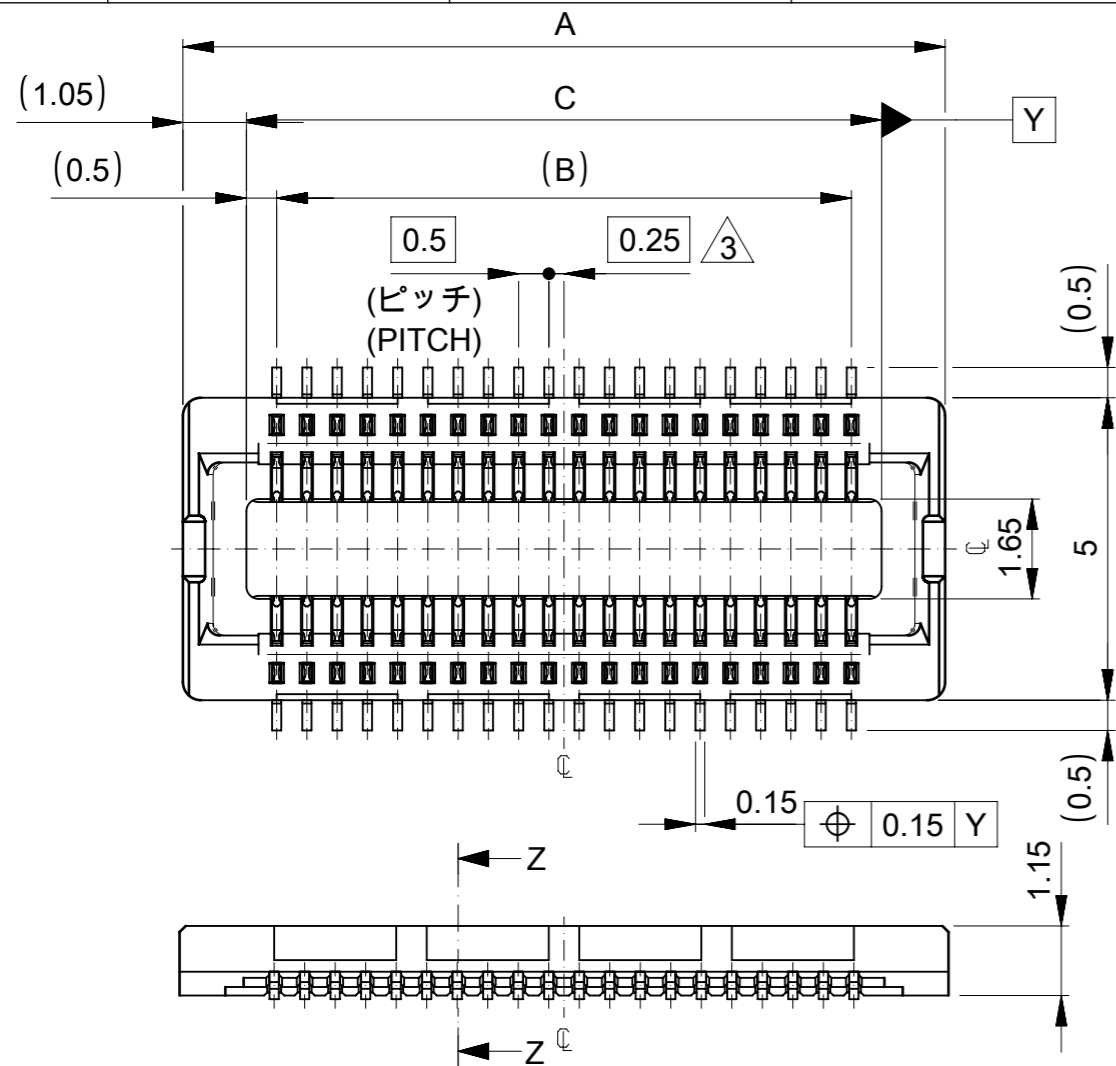


トレードマーク
TRADE MARK

THIS DRAWING CONTAINS INFORMATION THAT IS PROPRIETARY TO MOLEX ELECTRONIC TECHNOLOGIES, LLC AND SHOULD NOT BE USED WITHOUT WRITTEN PERMISSION

GENERAL TOLERANCES (UNLESS SPECIFIED)		mm	SCALE
0.25 ^{UNDER}	±0.2	8:1	
0.25 ^{OVER} 0.5 ^{UNDER}	±0.2		
0.5 ^{OVER} 1.0 ^{UNDER}	±0.2		
1.0 ^{OVER} 1.0 ^{UNDER}	±0.2		
1.0 ^{OVER} 3.0 ^{UNDER}	±0.25		
3.0 ^{OVER}	±0.3		
ANGULAR+3°	±		
DRAFT WHERE APPLICABLE MUST REMAIN WITHIN DIMENSIONS			

CURRENT REV DESC: REVISED		molex	
EC NO: 642297		0.5 MM PITCH B-TO-B CONN. HEIGHT = 1.5 RECEPTACLE	
DRWN: SCV	2020/07/29	PRODUCT CUSTOMER DRAWING	
CHK'D: HSHIMOMYAMA	2020/11/30	DOCUMENT NUMBER	
APPR: SHOSHIKAWA	2020/11/30	SD-54722-011	
INITIAL REVISION:		DOC TYPE	DOC PART
DRWN: T.ITO	2003/08/20	PSD	001
APPR: T.YAMAGUCHI	2003/08/20	REVISION	D
THIRD ANGLE PROJECTION	DRAWING	MATERIAL NUMBER	CUSTOMER
SEE TABLE	A3-SIZE	54722	GENERAL
SHEET NUMBER	1 OF 3		



参考基板レイアウト (マウント面)
P.C.BOARD PATTERN DIMENSION (REFERENCE)
(MOUNTING AREA)

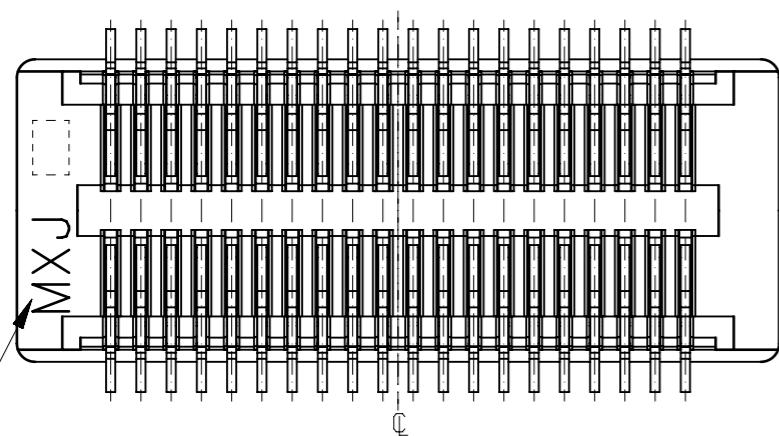
34 極以上品形状
SHAPE OF 34 CIRCUITS OR MORE

注記 NOTES:

1. 使用材料 MATERIAL
ハウジング : 液晶ポリマーガラス充填, UL94V-0 (黒)
HOUSING : LIQUID CRYSTAL POLYMER (GLASS FILLED)
UL94V-0 (COLOR:BLACK)
ターミナル : リン青銅 (t=0.15)
TERMINAL : PHOSPHOR BRONZE (t=0.15)
2. メッキ仕様 PLATING
金メッキ 0.25 マイクロメートル以上 (コンタクト部)
GOLD 0.25 MICROMETER MINIMUM (CONTACT AREA).
金メッキ 0.4 マイクロメートル以下 (テール部)
GOLD 0.4 MICROMETER MAXIMUM (TAIL AREA).
下地メッキ: ニッケルメッキ 1.5 マイクロメートル以上
UNDER PLATING : NICKEL 1.5 MICROMETER MINIMUM.

*コンタクト部とテール部はニッケルメッキによって分断されている金メッキです。
DIVIDE INTO PARTS THE GOLD PLATING OF THE CONTACT AND THE TAIL PART BY THE NICKEL PLATING.

3. (全極数 / 2) = 偶数の場合に適用。
APPLY FOR (CIRCUIT/2)=EVEN.
4. 嵌合相手 : 55560シリーズ(嵌合高さ = 1.5mm)
MATE WITH : 55560 SERIES.(HEIGHT=1.5mm)
5. テール平坦度は、0.1以下
TAIL COPLANARITY TO BE 0.1 MAXIMUM.



トレードマーク
TRADE MARK

20.5	19.5	22.6	54722-0804	80
15.5	14.5	17.6	54722-0604	60
13.0	12.0	15.1	54722-0504	50
10.5	9.5	12.6	54722-0404	40
9.5	8.5	11.6	54722-0364	36
9.0	8.0	11.1	54722-0344	34
C	B	A	Emboss tape Package ORDER No. オーダー番号	極数 CIRCUIT

CONNECTOR SERIES No. 54722-***3

THIS DRAWING CONTAINS INFORMATION THAT IS PROPRIETARY TO MOLEX ELECTRONIC TECHNOLOGIES, LLC AND SHOULD NOT BE USED WITHOUT WRITTEN PERMISSION

CURRENT REV DESC: REVISED

molex

0.5 MM PITCH B-TO-B CONN.
HEIGHT = 1.5 RECEPTACLE

PRODUCT CUSTOMER DRAWING

DOCUMENT NUMBER: SD-54722-011
DOC TYPE: PSD
DOC PART: 001
REVISION: D

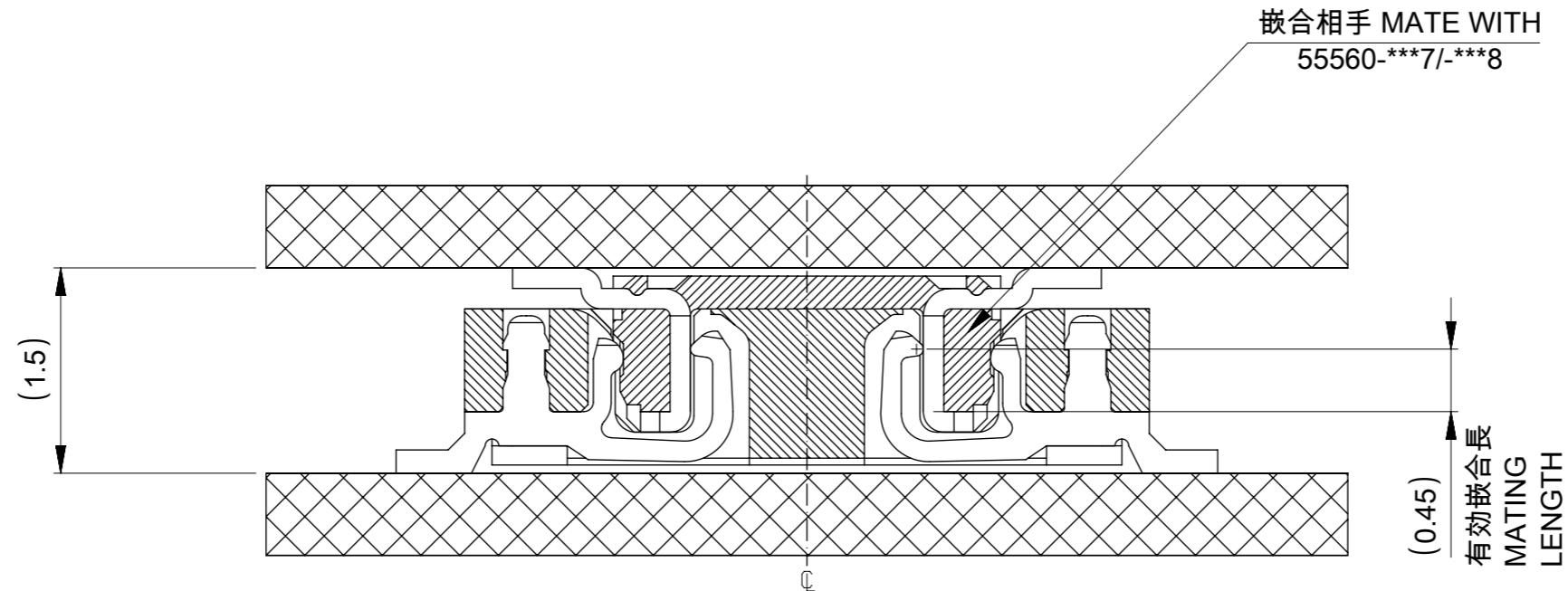
EC NO: 642297
DRWN: SCV
CHK'D: HSHIMOMYAMA
APPR: SHOSHIKAWA
INITIAL REVISION:
DRWN: T.ITO
APPR: T.YAMAGUCHI

2020/07/29
2020/11/30
2020/11/30
2003/08/20
2003/08/20

THIRD ANGLE PROJECTION
DRAWING: A3-SIZE
SERIES: 54722

MATERIAL NUMBER: SEE TABLE
CUSTOMER: GENERAL
SHEET NUMBER: 2 OF 3

GENERAL TOLERANCES (UNLESS SPECIFIED)		mm	SCALE
0.25 ^{UNDER}	±0.2		8:1
0.25 ^{OVER} 0.5 ^{UNDER}	±0.2		
0.5 ^{OVER} 1.0 ^{UNDER}	±0.2		
1.0 ^{OVER} 10 ^{UNDER}	±0.2		
10 ^{OVER} 30 ^{UNDER}	±0.25		
30 ^{OVER}	±0.3		
ANGULAR+3°			
DRAFT WHERE APPLICABLE MUST REMAIN WITHIN DIMENSIONS		DRAFT WHERE APPLICABLE MUST REMAIN WITHIN DIMENSIONS	

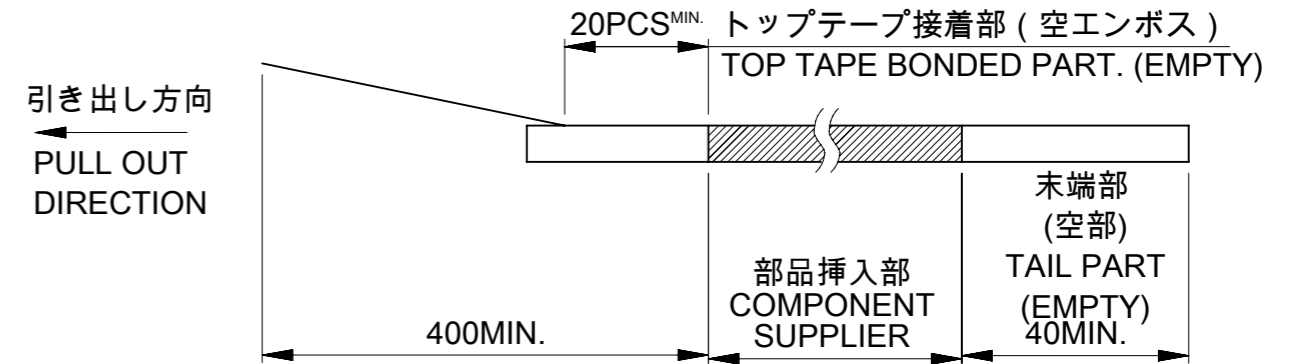
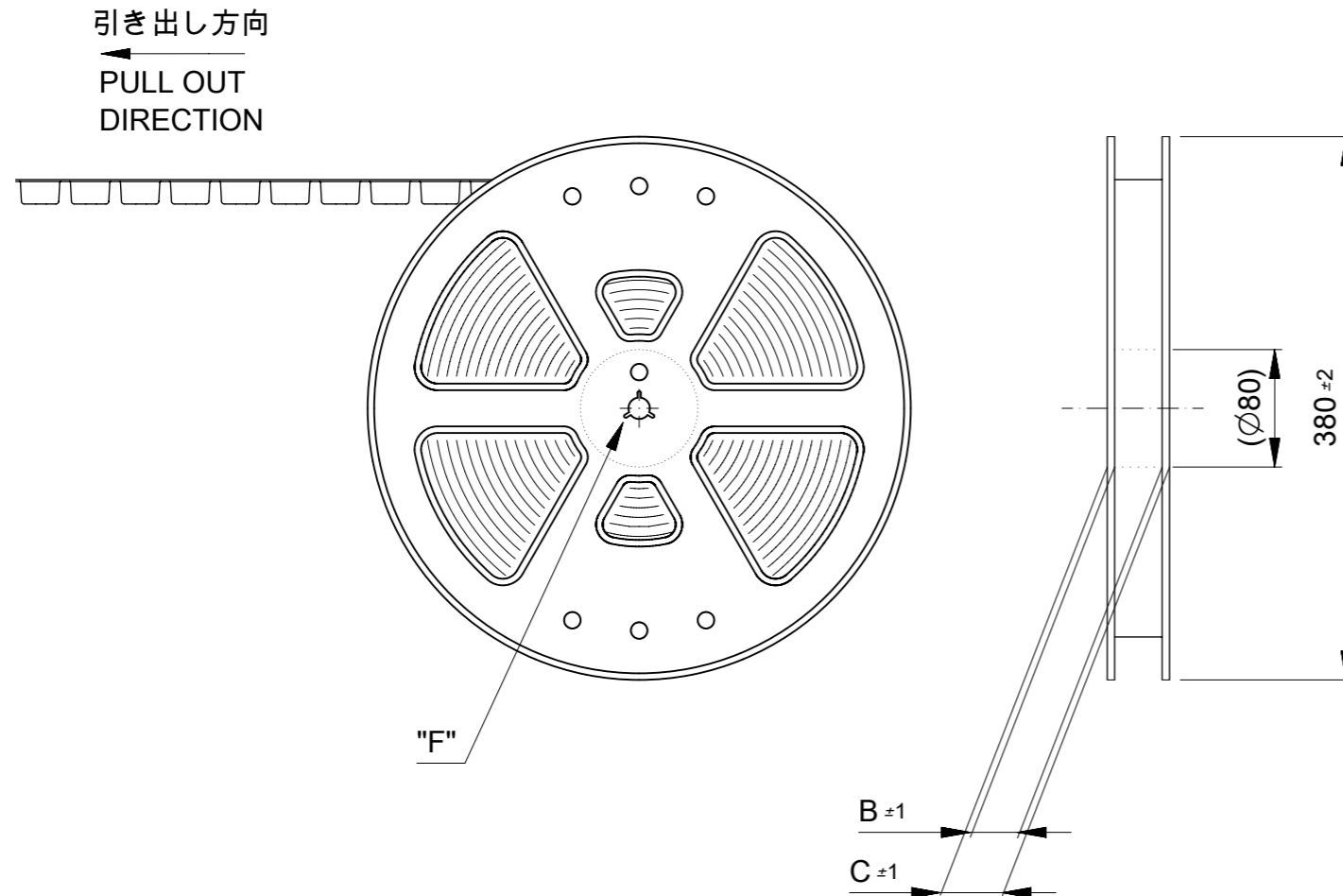


嵌合断面図 (参考)
MATED DRAWING (REF.)

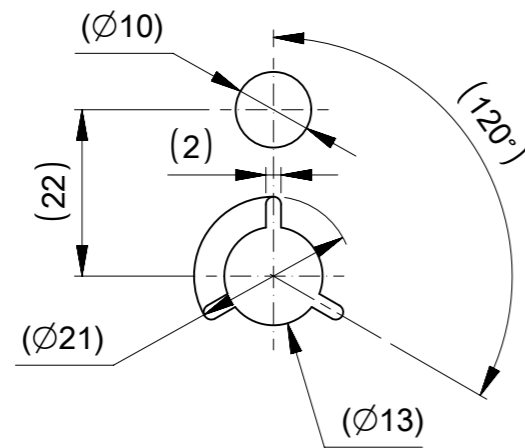
GENERAL TOLERANCES (UNLESS SPECIFIED) 0.25 ^{OVER} 0.5 ^{UNDER} ±0.2 0.5 ^{OVER} 1.0 ^{UNDER} ±0.2 1.0 ^{OVER} 10 ^{UNDER} ±0.2 10 ^{OVER} 30 ^{UNDER} ±0.25 30 ^{OVER} ±0.3 ANGULAR±3° DRAFT WHERE APPLICABLE MUST REMAIN WITHIN DIMENSIONS		DIMENSION UNITS: mm SCALE: 20:1 GENERAL TOLERANCES (UNLESS SPECIFIED) ANGULAR TOL ± * 4 PLACES ± 3 PLACES ± 2 PLACES ± 1 PLACE ± 0 PLACES ± DRAFT WHERE APPLICABLE MUST REMAIN WITHIN DIMENSIONS		THIS DRAWING CONTAINS INFORMATION THAT IS PROPRIETARY TO MOLEX ELECTRONIC TECHNOLOGIES, LLC AND SHOULD NOT BE USED WITHOUT WRITTEN PERMISSION CURRENT REV DESC: REVISED EC NO: 642297 DRWN: SCV CHK'D: HSHIMOYAMA APPR: SHOSHIKAWA INITIAL REVISION: DRWN: T.ITO APPR: T.YAMAGUCHI		molex 0.5 MM PITCH B-TO-B CONN. HEIGHT = 1.5 RECEPTACLE PRODUCT CUSTOMER DRAWING		DOCUMENT NUMBER: SD-54722-011 DOC TYPE: PSD DOC PART: 001 REVISION: D		MATERIAL NUMBER: SEE TABLE CUSTOMER: GENERAL SHEET NUMBER: 3 OF 3	
DOCUMENT STATUS: P1 RELEASE DATE: 2020/11/30 03:37:43		THIRD ANGLE PROJECTION A3-SIZE SERIES: 54722		DATE: 2020/11/14							

注記 NOTE

- 1. 製品詳細寸法については図面 SD-54722-011 を参照下さい。
DETAIL DIMENSIONS, SEE SD-54722-011
- 2. 梱包数量 : 3000個 / リール
NUMBER OF CONNECTORS : 3000PCS/REEL
- 3. リードテープ長さ LEAD TAPE LENGTH

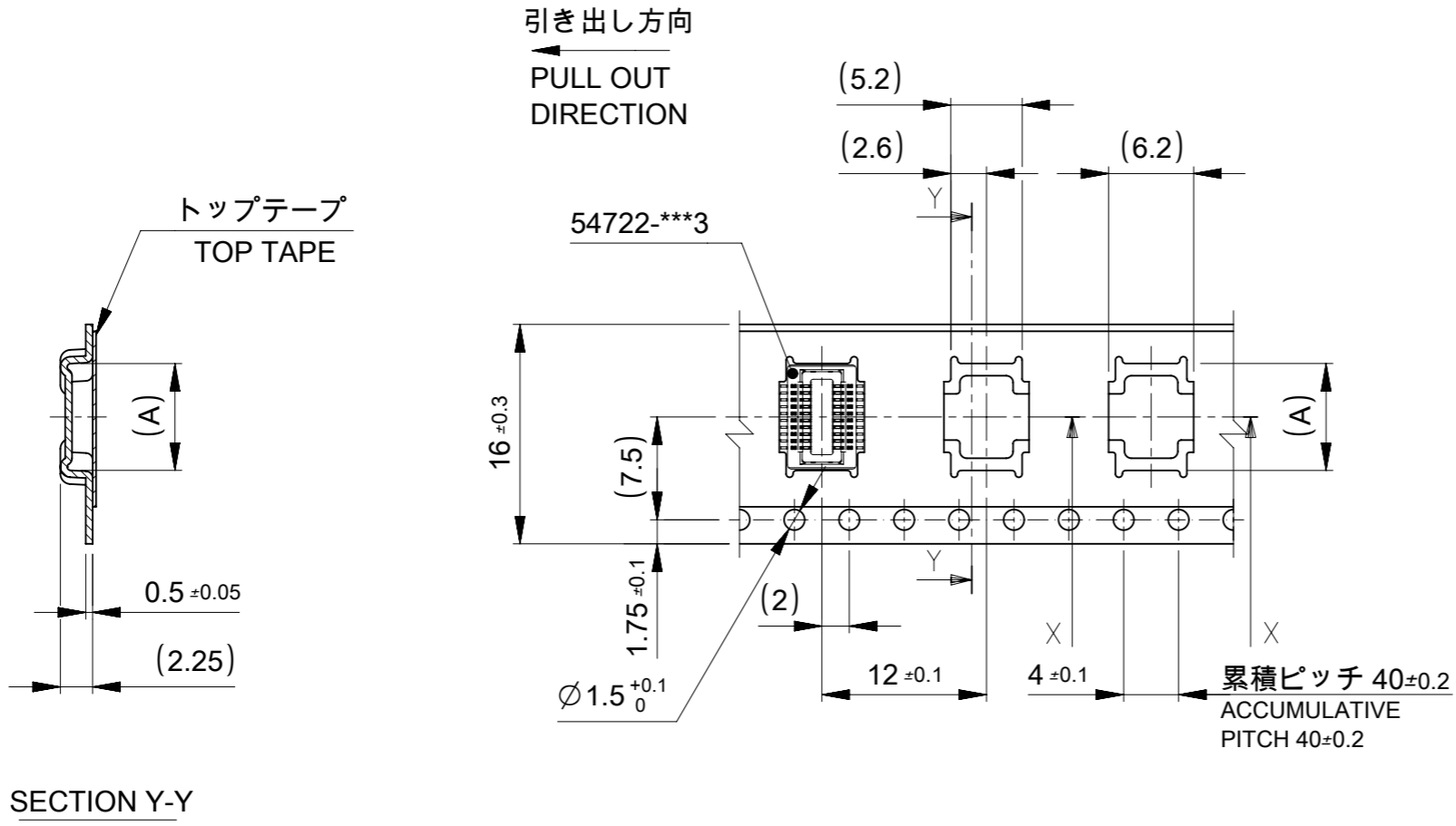


- 4. カバーテープの剥離強度については、IEC60286-3に準拠
COVER TAPE PEEL FORCE IS DEFINED BY IEC60286-3.
- 5. 材料 (MATERIAL)
 キャリアテープ (CARRIER TAPE) : ポリプロピレン (POLYPROPYLENE)
 トップテープ (TOP TAPE) : PET, PE, PEF
 リール (REEL) : ポリスチレン (PS) <リサイクル材を含む>
 POLYSTYRENE(PS) <RECYCLE MATERIAL CONTAINED >



DETAIL "F"

THIS DRAWING CONTAINS INFORMATION THAT IS PROPRIETARY TO MOLEX ELECTRONIC TECHNOLOGIES, LLC AND SHOULD NOT BE USED WITHOUT WRITTEN PERMISSION		CURRENT REV DESC: REVISED		molex	
DIMENSION UNITS: mm		SCALE: NTS			
GENERAL TOLERANCES (UNLESS SPECIFIED)		ANGULAR TOL ± °		EC NO: 649457	
4 PLACES ±		3 PLACES ±		DRWN: SCV 2020/07/29	
10 ^{UNDER} ±0.2		2 PLACES ±		CHK'D: HSHIMOYAMA 2020/12/02	
10 ^{OVER} 30 ^{UNDER} ±0.25		1 PLACE ±		APPR: SHOSHIKAWA 2020/12/02	
30 ^{OVER} ±0.3		0 PLACES ±		INITIAL REVISION:	
ANGULAR+3°		THIRD ANGLE PROJECTION		DRWN: T.ITO 2003/08/20	
DRAFT WHERE APPLICABLE MUST REMAIN WITHIN DIMENSIONS		DRAFT WHERE APPLICABLE MUST REMAIN WITHIN DIMENSIONS		APPR: Y.YAMAGUCHI 2003/08/20	
DOCUMENT STATUS		DRAWING		SERIES	
P1	RELEASE DATE	A3-SIZE	54722	MATERIAL NUMBER	
2020/12/02	10:53:46	SEE SHEET 2-5	GENERAL	CUSTOMER	
SD-54722-012		PSD 001 D		SHEET NUMBER	
1 OF 5		GENERAL		1 OF 5	



16 mm幅キャリアテープ
16mm WIDTH CARRIER TAPE

16	21.4	17.4	6.8	54722-0204	20
				54722-0164	16
キャリアテープ幅 CARRIER TAPE WIDTH		C	B	(A)	極数 CIRCUIT
				MATERIAL NO.	

THIS DRAWING CONTAINS INFORMATION THAT IS PROPRIETARY TO MOLEX ELECTRONIC TECHNOLOGIES, LLC AND SHOULD NOT BE USED WITHOUT WRITTEN PERMISSION

CURRENT REV DESC: REVISED

molex

0.5 MM PITCH B-TO-B CONN.
HEIGHT = 1.5 RECEPTACLE EMBOSS TAPE
PACKAGE

PRODUCT CUSTOMER DRAWING

EC NO: 649457
DRWN: SCV 2020/07/29
CHK'D: HSHIMUYAMA 2020/12/02
APPR: SHOSHIKAWA 2020/12/02

INITIAL REVISION:
DRWN: T.ITO 2003/08/20
APPR: Y.YAMAGUCHI 2003/08/20

DOCUMENT NUMBER	DOC TYPE	DOC PART	REVISION
SD-54722-012	PSD	001	D

DRAFT WHERE APPLICABLE MUST REMAIN WITHIN DIMENSIONS	DRAFT WHERE APPLICABLE MUST REMAIN WITHIN DIMENSIONS	THIRD ANGLE PROJECTION	DRAWING	SERIES	MATERIAL NUMBER	CUSTOMER	SHEET NUMBER
			A3-SIZE	54722	SEE TABLE	GENERAL	2 OF 5

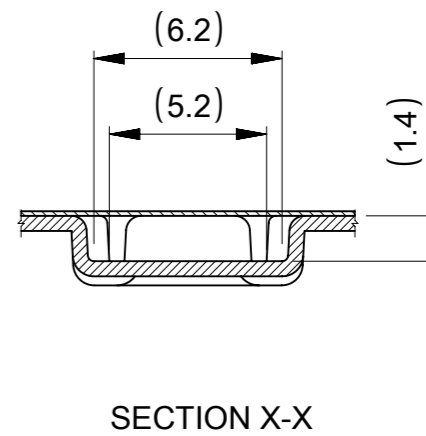
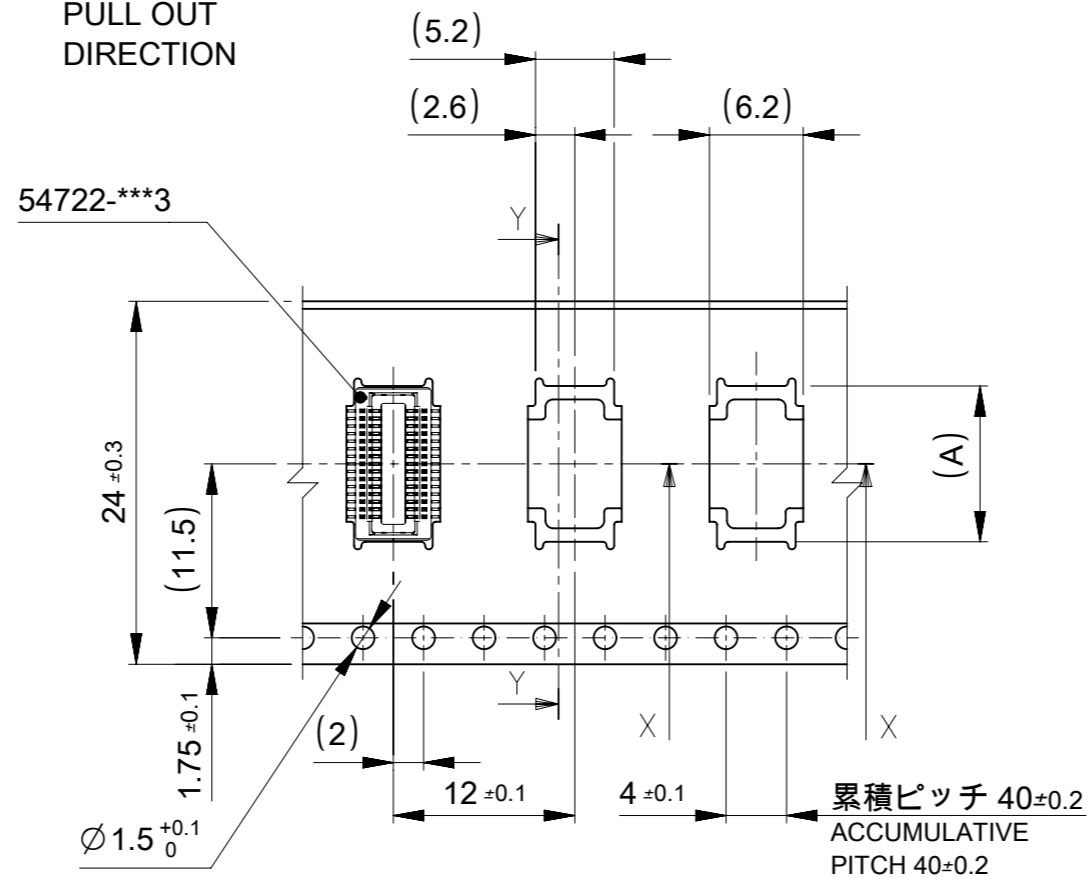
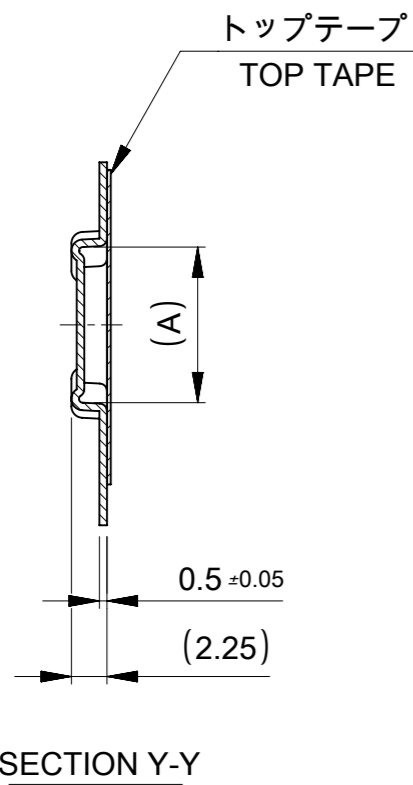
GENERAL TOLERANCES (UNLESS SPECIFIED)

10 ^{UNDER}	±0.2
10 ^{OVER} 30 ^{UNDER}	±0.25
30 ^{OVER}	±0.3

ANGULAR TOL ± °

4 PLACES	±
3 PLACES	±
2 PLACES	±
1 PLACE	±
0 PLACES	±

引き出し方向
 ←
 PULL OUT
 DIRECTION



24 mm幅キャリアテープ
 24mm WIDTH CARRIER TAPE

24	29.4	25.4	15.3	54722-0504	50		
			12.8	54722-0404	40		
			11.8	54722-0364	36		
			11.3	54722-0344	34		
			10.3	54722-0304	30		
			8.8	54722-0244	24		
			8.3	54722-0224	22		
キャリアテープ幅 CARRIER TAPE WIDTH			C	B	(A)	MATERIAL NO.	極数 CIRCUIT

THIS DRAWING CONTAINS INFORMATION THAT IS PROPRIETARY TO MOLEX ELECTRONIC TECHNOLOGIES, LLC AND SHOULD NOT BE USED WITHOUT WRITTEN PERMISSION

CURRENT REV DESC: REVISED

molex

0.5 MM PITCH B-TO-B CONN.
HEIGHT = 1.5 RECEPTACLE EMBOSS TAPE PACKAGE

PRODUCT CUSTOMER DRAWING

DOCUMENT NUMBER: SD-54722-012 | DOC TYPE: PSD | DOC PART: 001 | REVISION: D

EC NO: 649457 | DRWN: SCV | 2020/07/29
 CHK'D: HSHIMUYAMA | 2020/12/02
 APPR: SHOSHIKAWA | 2020/12/02

INITIAL REVISION:
 DRWN: T.ITO | 2003/08/20
 APPR: Y.YAMAGUCHI | 2003/08/20

DIMENSION UNITS: mm | SCALE: NTS

GENERAL TOLERANCES (UNLESS SPECIFIED):
 10^{UNDER}: ±0.2
 10^{OVER}30^{UNDER}: ±0.25
 30^{OVER}: ±0.3
 ANGULAR ±3°

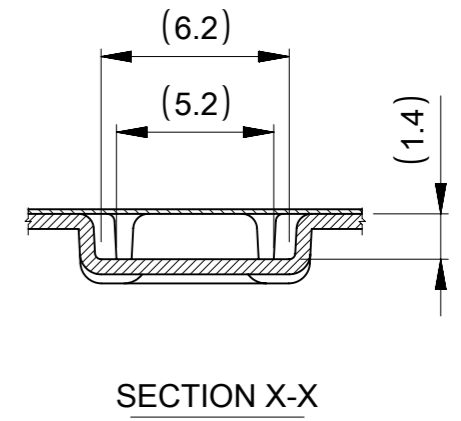
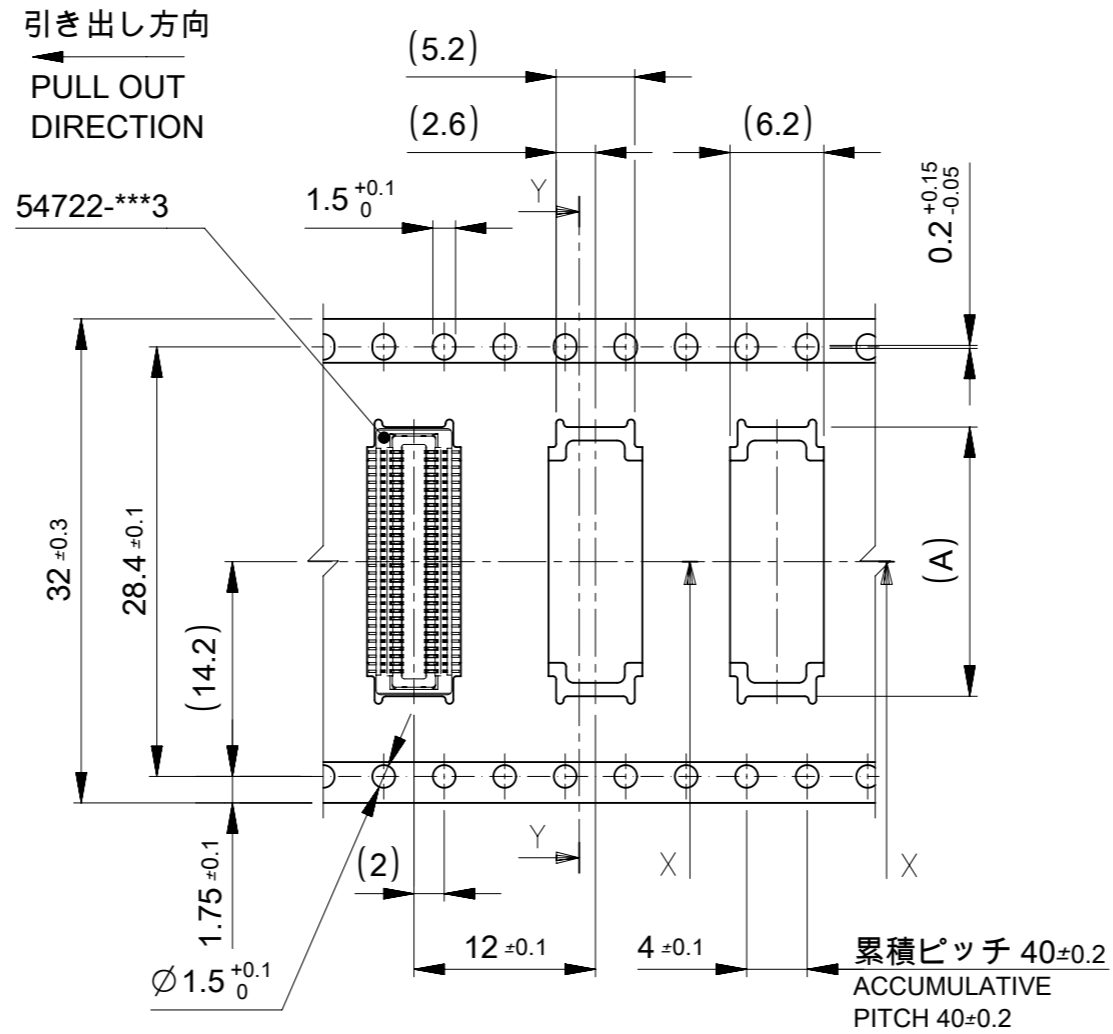
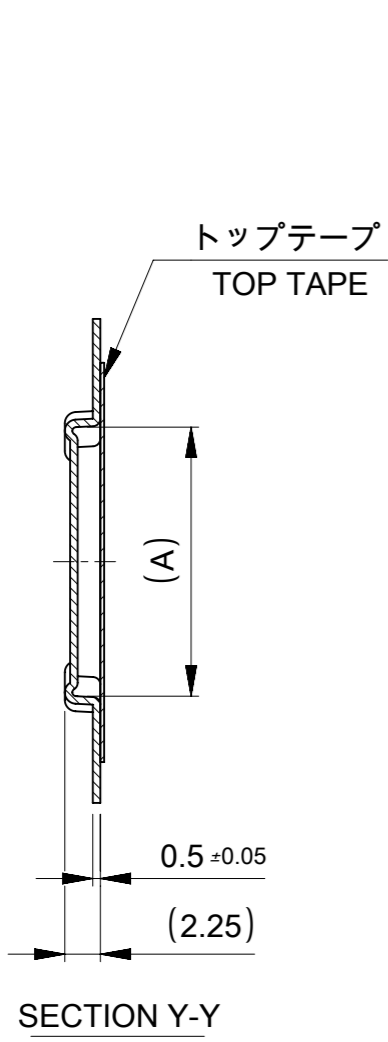
ANGULAR TOL ± °

4 PLACES ±
 3 PLACES ±
 2 PLACES ±
 1 PLACE ±
 0 PLACES ±

DRAFT WHERE APPLICABLE MUST REMAIN WITHIN DIMENSIONS

THIRD ANGLE PROJECTION

DRAWING: A3-SIZE | SERIES: 54722 | MATERIAL NUMBER: SEE TABLE | CUSTOMER: GENERAL | SHEET NUMBER: 3 OF 5



32 mm幅キャリアテープ
32mm WIDTH CARRIER TAPE

32	37.4	33.4	17.8	54722-0604	60
キャリアテープ幅 CARRIER TAPE WIDTH		C	B	(A) MATERIAL NO.	極数 CIRCUIT

THIS DRAWING CONTAINS INFORMATION THAT IS PROPRIETARY TO MOLEX ELECTRONIC TECHNOLOGIES, LLC AND SHOULD NOT BE USED WITHOUT WRITTEN PERMISSION

mm NTS

GENERAL TOLERANCES (UNLESS SPECIFIED)

ANGULAR TOL ± °

4 PLACES ±

3 PLACES ±

2 PLACES ±

1 PLACE ±

0 PLACES ±

EC NO: 649457
DRWN: SCV
CHK'D: HSHIMUYAMA
APPR: SHOSHIKAWA

2020/07/29
2020/12/02
2020/12/02

INITIAL REVISION:
DRWN: T.ITO
APPR: Y.YAMAGUCHI

2003/08/20
2003/08/20

DOCUMENT NUMBER: SD-54722-012
DOC TYPE: PSD
DOC PART: 001
REVISION: D

PRODUCT CUSTOMER DRAWING

THIRD ANGLE PROJECTION

DRAWING: A3-SIZE

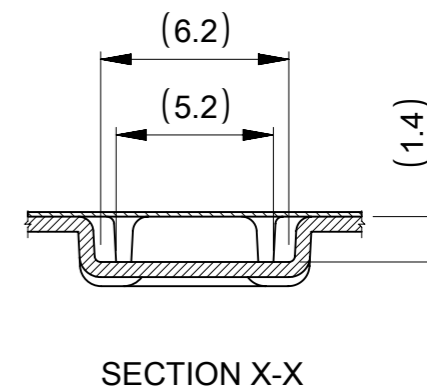
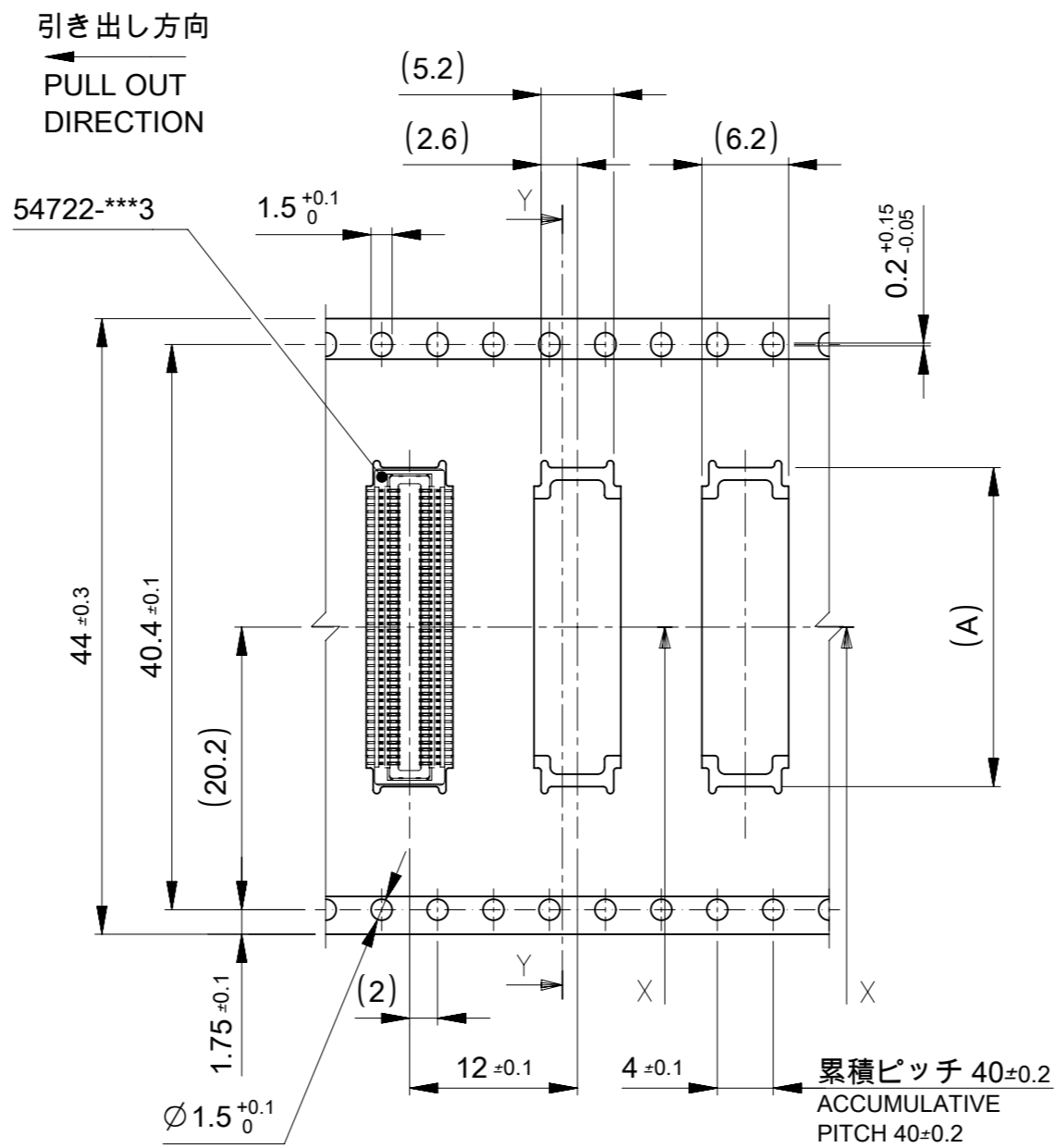
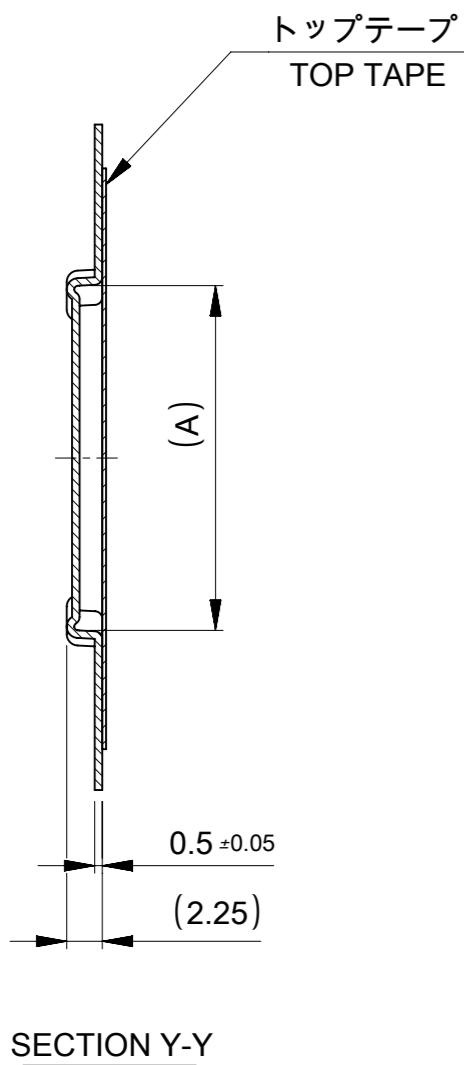
SERIES: 54722

MATERIAL NUMBER: SEE TABLE

CUSTOMER: GENERAL

SHEET NUMBER: 4 OF 5

GENERAL TOLERANCES (UNLESS SPECIFIED)	
10 ^{UNDER}	±0.2
10 ^{OVER} 30 ^{UNDER}	±0.25
30 ^{OVER}	±0.3
ANGULAR ±3°	
DRAFT WHERE APPLICABLE MUST REMAIN WITHIN DIMENSIONS	



44 mm幅キャリアテープ
44mm WIDTH CARRIER TAPE

44	49.4	45.4	22.8	54722-0804	80
キャリアテープ幅 CARRIER TAPE WIDTH		C	B	(A) MATERIAL NO.	極数 CIRCUIT

THIS DRAWING CONTAINS INFORMATION THAT IS PROPRIETARY TO MOLEX ELECTRONIC TECHNOLOGIES, LLC AND SHOULD NOT BE USED WITHOUT WRITTEN PERMISSION					
DIMENSION UNITS mm		SCALE NTS		CURRENT REV DESC: REVISED	
GENERAL TOLERANCES (UNLESS SPECIFIED)			molex		
0.1 ^{UNDER} ± 0.2					
10 ^{OVER} 30 ^{UNDER} ± 0.25			0.5 MM PITCH B-TO-B CONN. HEIGHT = 1.5 RECEPTACLE EMBOSS TAPE PACKAGE		
30 ^{OVER} ± 0.3			PRODUCT CUSTOMER DRAWING		
ANGULAR ± 3°			DOCUMENT NUMBER SD-54722-012		
DRAFT WHERE APPLICABLE MUST REMAIN WITHIN DIMENSIONS			DOC TYPE PSD		
DRAFT WHERE APPLICABLE MUST REMAIN WITHIN DIMENSIONS			DOC PART 001		
DRAFT WHERE APPLICABLE MUST REMAIN WITHIN DIMENSIONS			REVISION D		
EC NO: 649457		DRWN: SCV		2020/07/29	
CHK'D: HSHIMOMYAMA		APPR: SHOSHIKAWA		2020/12/02	
INITIAL REVISION:		DRWN: T.ITO		2003/08/20	
APPR: Y.YAMAGUCHI		SERIES 54722		MATERIAL NUMBER SEE TABLE	
THIRD ANGLE PROJECTION		DRAWING A3-SIZE		CUSTOMER GENERAL	
SHEET NUMBER 5 OF 5					