



产品编号 : [548190519](#)

系列号 : 54819

Product Category : I/O Connectors

Product Description : Mini USB, B-
Receptacle, Right-Angle, Through Hole
Solder Tails and Shell Tabs, Lead-Free

状态 : Active

文件和资源

图纸

[图纸 548190519_sd.pdf](#)

3D 模型和设计文件

[3D模型 548190519_stp.zip](#)

[电气模型文件 EE-54819-0001-001.pdf](#)

[S参数 SP-54819-67542-0001-001.zip](#)


规格

[包装规格 SPK-54819-001-001.pdf](#)

[产品规格 PS-56579-015-001.pdf](#)

产物环境合规

合规

GADSL/IMDS	Not Relevant
China RoHS	
EU ELV	Compliant per 2000/53/EC
Low-Halogen Status	Not Low-Halogen per IEC 61249-2-21
REACH SVHC	Not Contained per D(2023)8585-DC (23 Jan 2024)
EU RoHS	Compliant per EU 2015/863

多部分产品合规性声明

- Eu RoHS
- REACH SVHC
- Low-Halogen

- IPC 1752A Class C
- IPC 1752A Class D
- Molex Product Compliance Declaration

- IEC-62474

- chemSHERPA (xml)

欧盟 RoHS 合格证书

产品详情

常规

状态	活动
类别	I/O Connectors
系列	54819
说明	Mini USB, B-Receptacle, Right-Angle, Through Hole Solder Tails and Shell Tabs, Lead-Free
应用	Wire-to-Board
元件类型	Receptacle
产品系列	USB Connectors: USB Type-A, USB Type-B, and USB Type-C Plugs and Receptacles
产品名称	USB
标准	USB 2.0
类型	Mini-B
UPC	822348124435

机构

UL	E29179
----	--------

电气

每触点最大电流	1.0A
屏蔽	是
电压 - 最大	30V

物理

回路数 (已载入)	5
电路数 (最多)	5
颜色-树脂	黑色
阻燃性	94V-0
性别	女

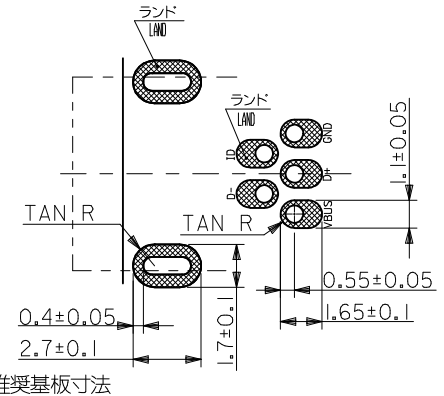
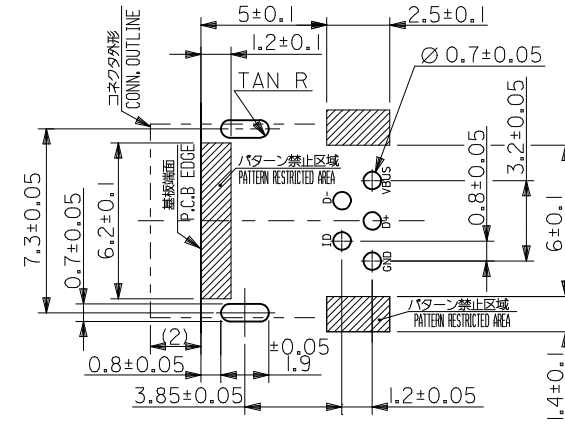
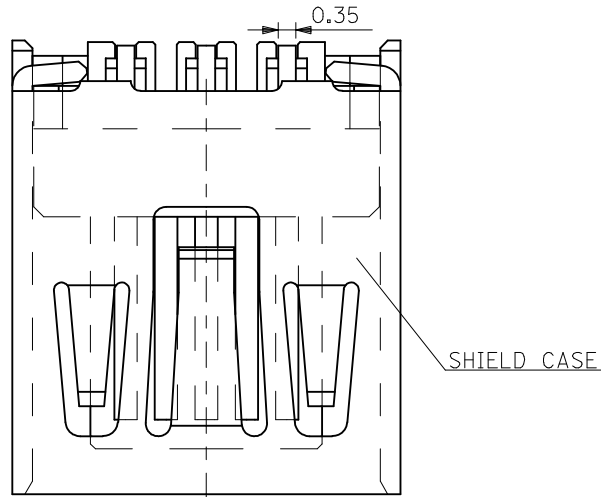
锁定插接部位	是
材料 - 金属	High Performance Alloy (HPA)
材料 - 接合部位电镀	金牌
材料 - 终端电镀	Tin
材料 - 树脂	High Temperature Thermoplastic
安装方式	Top-Mount
净重	0.572/g
方向	Right Angle
包装形式	Tray
面板安装式	否
PC 焊脚长度	1.80mm
PCB 保持力	是
推荐的 PCB 厚度	1.00mm
间距 - 插配接口	0.80mm
最薄镀层 - 接合部位	0.762 μ m
最薄镀层 - 端接	1.016 μ m
有极性的插配件	是
运行温度范围	-20° to +85° C
终端界面类型	Through Hole
防水/防尘	否

进程

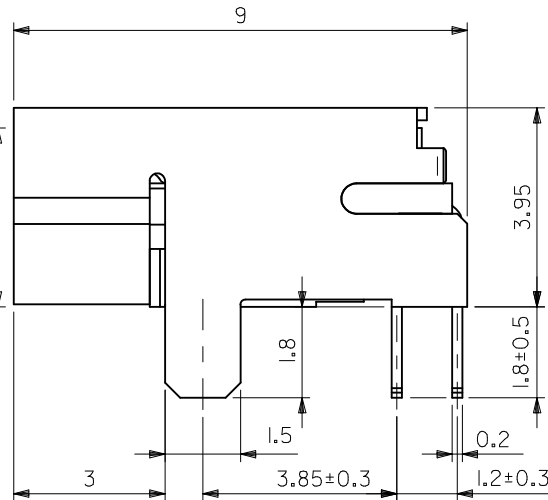
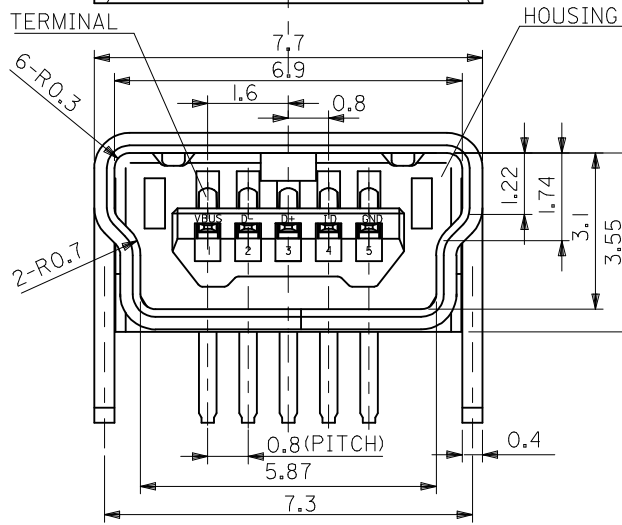
最长持续时间	10
无铅	REFLOW
最大周期	1
最高温度	260

コネクタ実装側 (CONNECTOR MOUNT SIDE)

逆側 (REVERSE SIDE)



推奨基板寸法
RECOMMENDED P.C.B. PATTERN LAYOUT

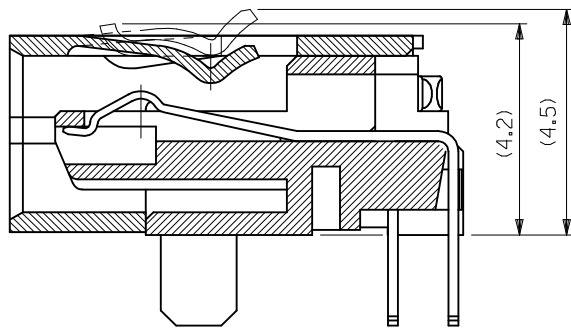


- 注記 1. 材質
NOTES MATERIAL
ハウジング: PA, ガラス充填, 黒色, UL94V-0
HOUSING: PA, GLASS FILLED, BLACK, UL94V-0
ターミナル: 銅合金 (t=0.2)
TERMINAL: COPPER ALLOY (t=0.2)
シールド ケース: 銅合金 (t=0.4)
SHIELD CASE: COPPER ALLOY (t=0.4)
2. メッキ仕様
PLATING
ターミナル
TERMINAL
接点部: 金メッキ 0.76MICRO METER MIN.
CONTACT AREA: GOLD 0.76MICRO METER MIN.
半田付カ部: 錫メッキ 1.0MICRO METER MIN.
SOLDER TAIL AREA: TIN 1.0MICRO METER MIN.
下地部: ニッケルメッキ 1.0MICRO METER MIN.
UNDER PLATING: NICKEL 1.0MICRO METER MIN.
シールド ケース
SHIELD CASE
: 錫メッキ 1.0 MICRO METER MIN.
: TIN 1.0MICRO METER MIN.
下地部: ニッケルメッキ 1.0MICRO METER MIN.
UNDER PLATING: NICKEL 1.0MICRO METER MIN.
3. 本製品は54819-0511の鉛フリー品である。
THIS PRODUCT IS LEAD FREE OF 54819-0511.

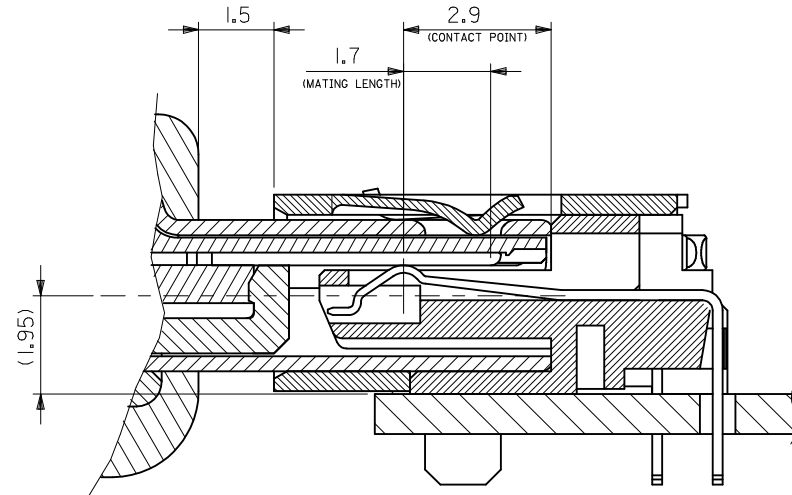
54819-0519
MATERIAL No.

MODEL No.54819-**-19

REVISED EC NO: J2009-1533 DRW: NESATO 2009/06/25 CHKD: MATSUMOTO 2009/06/25 APPR: NUKITA 2009/06/25 REV: A	GENERAL TOLERANCES (UNLESS SPECIFIED)		DIMENSION STYLE	SCALE	DESIGN UNITS	◎ THIRD ANGLE PROJECTION	
			MM ONLY	10:1	METRIC		
	10 UNDER	±0.2	DRAWN BY	DATE	TITLE	USB SERIES MINI-B RECEPTACLE ASS'Y -LEAD FREE- MOLEX INCORPORATED SD-54819-026 1 OF 2	
	10 OVER 30 UNDER	±0.25	M. NAGATA	2004/04/28			
	30 OVER	±0.3	K. TOJO	2004/04/28			
ANGULAR ±3 °		APPROVED BY	DATE	MOLEX INCORPORATED DOCUMENT NO. SD-54819-026 SHEET NO. 1 OF 2			
DRAFT WHERE APPLICABLE MUST REMAIN WITHIN DIMENSIONS		M. SASAO	2004/04/28				
		MATERIAL NO.	SEE TABLE THIS DRAWING CONTAINS INFORMATION THAT IS PROPRIETARY TO MOLEX INCORPORATED AND SHOULD NOT BE USED WITHOUT WRITTEN PERMISSION				



SECTION



MATING

MODEL NO. 54819-***19

REVISED EC NO: J2009-1533 DRW: NESATO 2009/06/25 CHK'D: MATSUMOTO 2009/06/25 APPR: NUKITA 2009/06/25	GENERAL TOLERANCES (UNLESS SPECIFIED)		DIMENSION STYLE MM ONLY		SCALE 10:1	DESIGN UNITS METRIC	THIRD ANGLE PROJECTION	
	10 UNDER	±0.2	DRAWN BY M. NAGATA	DATE 2004/04/28	TITLE USB SERIES MINI-B RECEPTACLE ASS'Y -LEAD FREE-			
	10 OVER 30 UNDER	±0.25	CHECKED BY K. TOJO	DATE 2004/04/28				
	30 OVER	±0.3	APPROVED BY M. SASAO	DATE 2004/04/28	MOLEX INCORPORATED DOCUMENT NO. SD-54819-026 SHEET NO. 2 OF 2			
ANGULAR ±3 °		MATERIAL NO. SEE SHEET 1						
DRAFT WHERE APPLICABLE MUST REMAIN WITHIN DIMENSIONS		THIS DRAWING CONTAINS INFORMATION THAT IS PROPRIETARY TO MOLEX INCORPORATED AND SHOULD NOT BE USED WITHOUT WRITTEN PERMISSION						