



产品编号 : 548190572

Product Description : Mini USB, B-
Receptacle, Right-Angle, Surface Mount
Solder Tails and Shell Tabs, with Cover
Tape, Lead-Free

系列号 : 54819

状态 : Active

Product Category : I/O Connectors

文件和资源

图纸

图纸 548190572_sd.pdf

包装设计图 SPK-54819-021-001.pdf

3D 模型和设计文件


3D模型 548190572_stp.zip

规格

产品规格 PS-56579-015-001.pdf

产物环境合规

合规

GADSL/IMDS	Not Relevant
China RoHS	
EU ELV	Not Relevant
Low-Halogen Status	Not Low-Halogen per IEC 61249-2-21
REACH SVHC	Not Contained per D(2023)8585-DC (23 Jan 2024)
EU RoHS	Compliant per EU 2015/863

多部分产品合规性声明

- Eu RoHS
- REACH SVHC
- Low-Halogen

- IPC 1752A Class C
- IPC 1752A Class D
- Molex Product Compliance Declaration
- IEC-62474

产品详情

常规

状态	活动
类别	I/O Connectors
系列	54819
说明	Mini USB, B-Receptacle, Right-Angle, Surface Mount Solder Tails and Shell Tabs, with Cover Tape, Lead-Free
应用	Wire-to-Board
元件类型	Receptacle
产品系列	USB Connectors: USB Type-A, USB Type-B, and USB Type-C Plugs and Receptacles
产品名称	USB
标准	USB 2.0
类型	Mini-B
UPC	822348264353

机构

UL	E29179
----	--------

电气

每触点最大电流	1.0A
屏蔽	是
电压 - 最大	30V

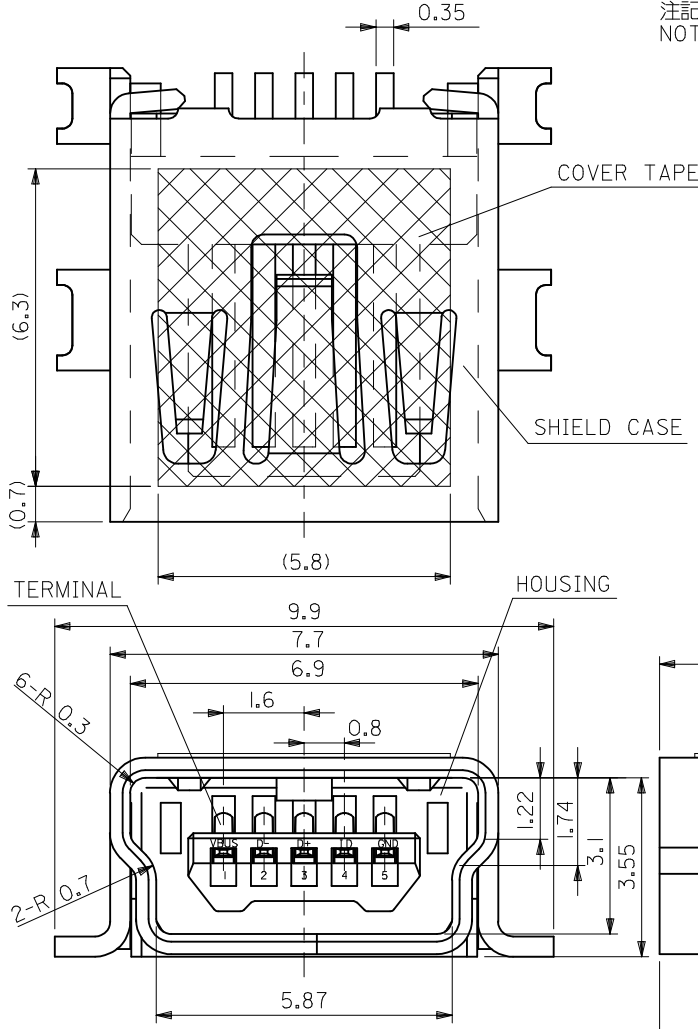
物理

回路数 (已载入)	5
电路数 (最多)	5
颜色-树脂	黑色
耐用性(插拔次数) - 最多次数	5000
阻燃性	94V-0
性别	女

锁定插接部位	是
材料 - 金属	High Performance Alloy (HPA)
材料 - 接合部位电镀	金牌
材料 - 终端电镀	Tin
材料 - 树脂	Polyester Alloy
安装方式	Top-Mount
净重	0.600/g
方向	Right Angle
包装形式	Embossed Tape on Reel
面板安装式	否
PCB 定位器	否
PCB 保持力	是
间距 - 插配接口	0.80mm
最薄镀层 - 接合部位	0.762 μ m
最薄镀层 - 端接	1.016 μ m
有极性的插配件	是
运行温度范围	-20° to +85° C
终端界面类型	Surface Mount
防水/防尘	否

进程

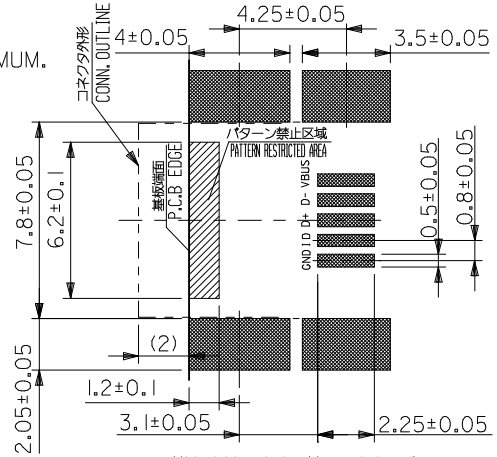
最长持续时间	3
无铅	REFLOW
最大周期	1
最高温度	250



注記 1. 材質
 NOTES MATERIAL
 ハウジング: ポリアミド, ガラス充填, 黒色, UL94V-0
 HOUSING: PA, GLASS FILLED, BLACK, UL94V-0
 ターミナル: 銅合金 (t=0.2)
 TERMINAL: COPPER ALLOY(t=0.2)
 シールド ケース: 銅合金 (t=0.4)
 SHIELD CASE: COPPER ALLOY(t=0.4)
 カバー テープ: ポリイミド (t=0.08)
 COVER TAPE: POLYIMIDE(t=0.08)

2. メッキ仕様
 PLATING
 ターミナル
 TERMINAL
 接点部: 金メッキ 0.75 MICROMETER MIN.
 CONTACT AREA: GOLD 0.75 MICROMETER MINIMUM.
 半田付け部: 錫メッキ 無光沢 1.0 MICROMETER MIN.
 SOLDER TAIL AREA: MATTE TIN 1.0 MICROMETER MINIMUM.
 下地部: ニッケルメッキ 4.0 MICROMETER MIN.
 UNDER PLATING: NICKEL 4.0 MICROMETER MINIMUM.
 シールド ケース
 SHIELD CASE
 : 錫メッキ 半光沢 1.0 MICROMETER MIN.
 : SEMI-MATTE TIN 1.0 MICROMETER MINIMUM.
 下地部: ニッケルメッキ 4.0 MICROMETER MIN.
 UNDER PLATING: NICKEL 4.0 MICROMETER MINIMUM.

3. テール、ネイル平坦度は0.1mm MAX.
 TAIL, NAIL COPLANARITY 0.1mm MAX.
 4. 本製品は54819-0571の鉛フリー品である。
 THIS PRODUCT IS LEAD FREE OF 54819-0571.

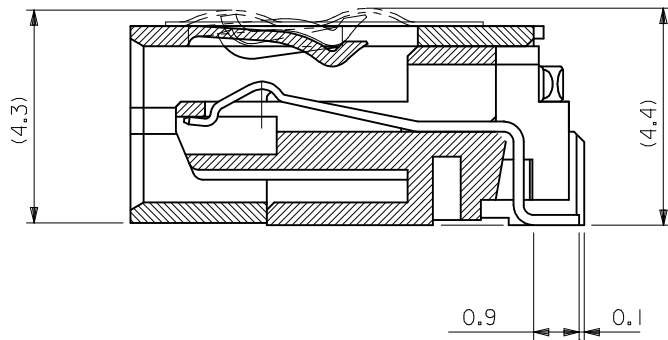


推奨基板寸法 (部品実装側)
 RECOMMENDED P.C.B. PATTERN LAYOUT (PART MOUNT SIDE)

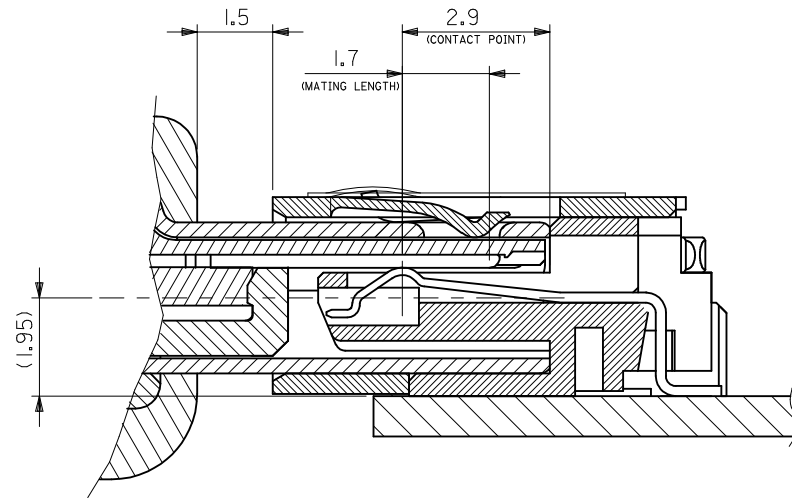
54819-0572	54819-0579
EMBOSSED TAPE	MATERIAL No.
ORDER No.	
MODEL No.54819-**-79	

REVISED EC NO: J2009-1533 DR: WAKESATO 2009/06/25 CHKD: MATSUMOTO 2009/06/25 APPR: NUKITA 2009/06/25	GENERAL TOLERANCES (UNLESS SPECIFIED)		DIMENSION STYLE	SCALE	DESIGN UNITS	THIRD ANGLE PROJECTION	
			MM ONLY	10:1	METRIC		
	DESCRIPTION	10 UNDER	±0.2	DRAWN BY	DATE	TITLE	USB SERIES MINI-B RECEPTACLE ASS'Y FOR SMT -LEAD FREE- MOLEX INCORPORATED SD-54819-027
		10 OVER 30 UNDER	±0.25	H. KAWABATA	2004/05/21		
		30 OVER	±0.3	K. TOJO	2004/05/21		
	ANGULAR	±3 °	M. SASAO	2004/05/21			
	DRAFT WHERE APPLICABLE MUST REMAIN WITHIN DIMENSIONS		MATERIAL NO.	DOCUMENT NO.	SHEET NO.	1 OF 2	
	SIZE	THIS DRAWING CONTAINS INFORMATION THAT IS PROPRIETARY TO MOLEX INCORPORATED AND SHOULD NOT BE USED WITHOUT WRITTEN PERMISSION					

10 9 8 7 6 5 4 3 2 1



SECTION



MATING

MODEL NO. 54819-**79

REVISED EC NO: J2009-1533 DRW:ESATO 2009/06/25 CHK:D:HMATSUMOTO 2009/06/25 APPR:NUKITA 2009/06/25	GENERAL TOLERANCES (UNLESS SPECIFIED)		DIMENSION STYLE MM ONLY		SCALE 10:1	DESIGN UNITS METRIC	THIRD ANGLE PROJECTION		
	10 UNDER	±0.2	DRAWN BY H. KAWABATA		DATE 2004/05/21		TITLE USB SERIES MINI-B RECEPTACLE ASS'Y FOR SMT -LEAD FREE-		
	10 OVER 30 UNDER	±0.25	CHECKED BY K. TOJO		DATE 2004/05/21		MOLEX INCORPORATED		
	30 OVER	±0.3	APPROVED BY M. SASAO		DATE 2004/05/21		DOCUMENT NO. SD-54819-027		
	ANGULAR ±3 °	MATERIAL NO. SEE SHEET 1		SIZE A3		SHEET NO. 2 OF 2			
	DRAFT WHERE APPLICABLE MUST REMAIN WITHIN DIMENSIONS		THIS DRAWING CONTAINS INFORMATION THAT IS PROPRIETARY TO MOLEX INCORPORATED AND SHOULD NOT BE USED WITHOUT WRITTEN PERMISSION						

10 9 8 7 6 5 4 3 2 1

F

E

D

C

B

A

F

E

D

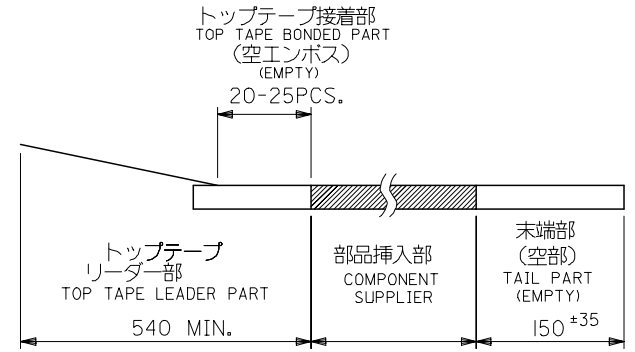
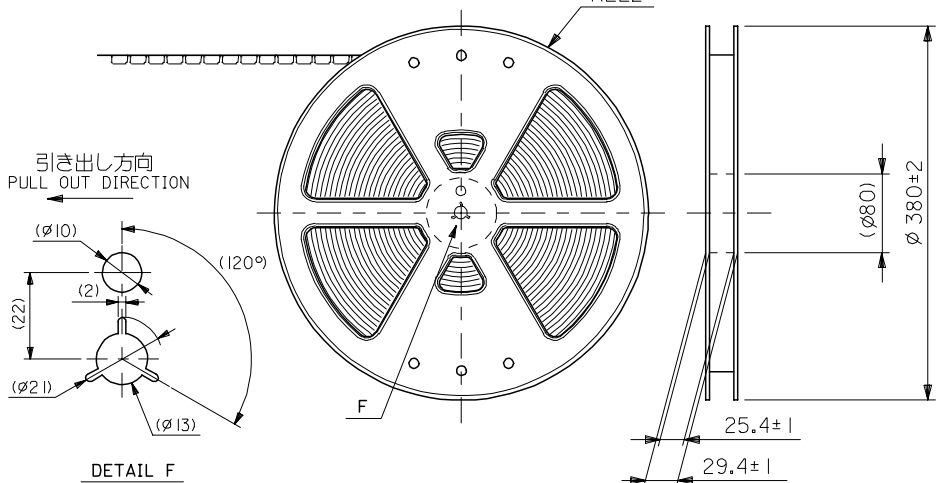
C

B

A

NOTES

- 54819-0579の詳細はSD-54819-027参照
IN THE PACKAGE PART NO.54819-0579 DETAILED, SEE SD-54819-027
- 梱包数量: 800 個/リール
NUMBER OF CONNECTORS: 800 PCS/REEL
- リードテープ長さ
LEAD TAPE LENGTH



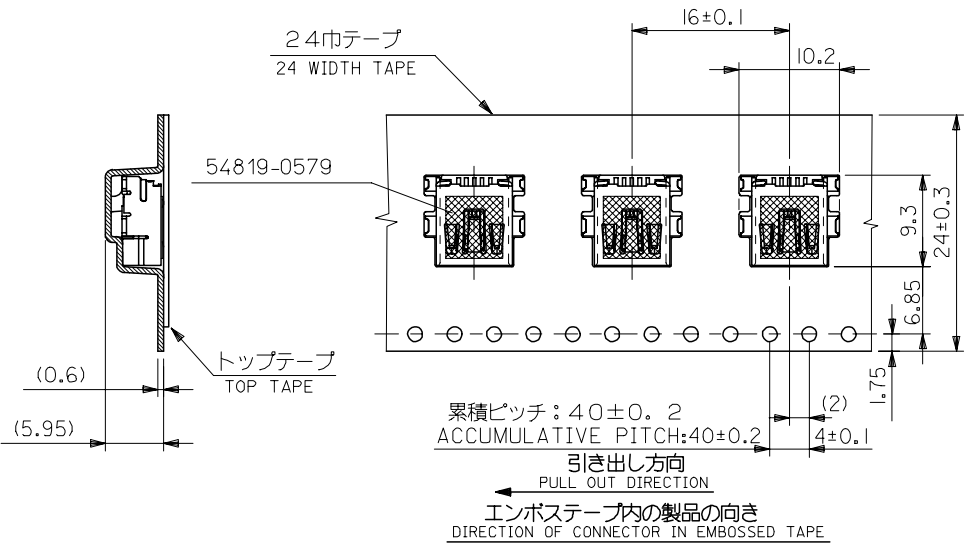
- トップテープの剥離強度: 0.1~ 1.3 N { 10~130gf }
(剥離方向は下図参照) キャリアテープ幅: 24mm
CARRIER TAPE WIDTH
PEEL-OFF FORCE OF TOP TAPE: 0.1~1.3 N { 10~130gf }
(PEELING DIRECTION AS SHOWN IN FOLLOWING FIG.)
尚、本規格値は、出荷時に適用。
THIS REQUIREMENT SHOULD BE APPLIED AT SHIPMENT
(但し、輸送時に剥離が発生しない事。)
(PEEL OFF SHOULD NOT BE ALLOWED, DURING TRANSPORTATION)



- 材料
MATERIAL
キャリアテープ: ポリプロピレン
CARRIER TAPE: POLYPROPYLENE
トップテープ: ポリエステル, ポリエチレン
TOP TAPE: POLYESTER, POLYETHLENE
リール: ポリスチレン
REEL: POLYSTYRENE

- 本製品は 54819-0578 の鉛フリー品である。
THIS PRODUCT IS LEAD FREE OF 54819-0578.

54819-0572
MATERIAL NO.



累積ピッチ: 40±0.2
ACCUMULATIVE PITCH: 40±0.2
引き出し方向
PULL OUT DIRECTION
エンボステープ内の製品の向き
DIRECTION OF CONNECTOR IN EMBOSSED TAPE

REVISED EC NO: J2006-0378 DRWN: YANAGI MOTO 2005/08/03 CHKD: TANAKA 2005/08/03 APPR: NUKITA 2005/08/17	GENERAL TOLERANCES (UNLESS SPECIFIED)		DIMENSION STYLE MM ONLY		MODEL NO.	54819-**-72	SCALE 2:1		DESIGN UNITS METRIC	THIRD ANGLE PROJECTION	
	10 UNDER	±0.2	DRAWN BY H. KAWABATA		DATE 2004/05/21		TITLE USB SERIES MINI-B REC.HS'G EMBOSSED ASS'Y -LEAD FREE-				
	10 OVER 30 UNDER	±0.25	CHECKED BY K. TOJO		DATE 2004/05/21		MOLEX INCORPORATED				
	30 OVER	±0.3	APPROVED BY M. SASAO		DATE 2004/05/21		DOCUMENT NO. SD-54819-028				
1	DESCRIPTION	ANGULAR ±3 °		MATERIAL NO.		DOCUMENT NO.		SHEET NO.		1 OF 1	
DRAFT WHERE APPLICABLE MUST REMAIN WITHIN DIMENSIONS		SIZE A3		THIS DRAWING CONTAINS INFORMATION THAT IS PROPRIETARY TO MOLEX INCORPORATED AND SHOULD NOT BE USED WITHOUT WRITTEN PERMISSION							