



产品编号 : 550911274

系列号 : 55091

Product Category : Board-to-Board Connectors

Product Description : SlimStack Board-to-Board Connector, 0.635mm Pitch, 0.635 Series, Plug, 6.00 or 12.00mm Mated Height, 6.40mm Mated Width, 120 Circuits

状态 : Active

文件和资源

图纸

图纸 550911274_sd.pdf

3D 模型和设计文件

3D模型 550911274_stp.zip


规格

包装规格 550919200-200.pdf

产品规格 527600000-000.pdf

产物环境合规

合规

| | |
|--------------------|---|
| GADSL/IMDS | Not Relevant |
| China RoHS |  |
| EU ELV | Not Relevant |
| Low-Halogen Status | Low-Halogen per IEC 61249-2-21 |
| REACH SVHC | Not Contained per D(2023)8585-DC (23 Jan 2024) |
| EU RoHS | Compliant per EU 2015/863 |

多部分产品合规性声明

- Eu RoHS
- REACH SVHC
- Low-Halogen

- IPC 1752A Class C
- IPC 1752A Class D
- Molex Product Compliance Declaration
- IEC-62474

产品详情

常规

| | |
|------|---|
| 状态 | 活动 |
| 类别 | Board-to-Board Connectors |
| 系列 | 55091 |
| 说明 | SlimStack Board-to-Board Connector, 0.635mm Pitch, 0.635 Series, Plug, 6.00 or 12.00mm Mated Height, 6.40mm Mated Width, 120 Circuits |
| 产品系列 | 0.635, Rigid |
| 应用 | Board-to-Board, Signal |
| 个评论 | Stacking-Type |
| 元件类型 | PCB Header |
| 产品系列 | SlimStack Board-to-Board/Board-to-FPC Connectors |
| 产品名称 | SlimStack |
| UPC | 822350343121 |

机构

| | |
|----|--------|
| UL | E29179 |
|----|--------|

电气

| | |
|---------|------|
| 每触点最大电流 | 0.5A |
| 电压 - 最大 | 100V |

物理

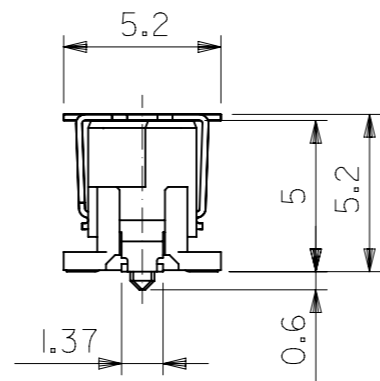
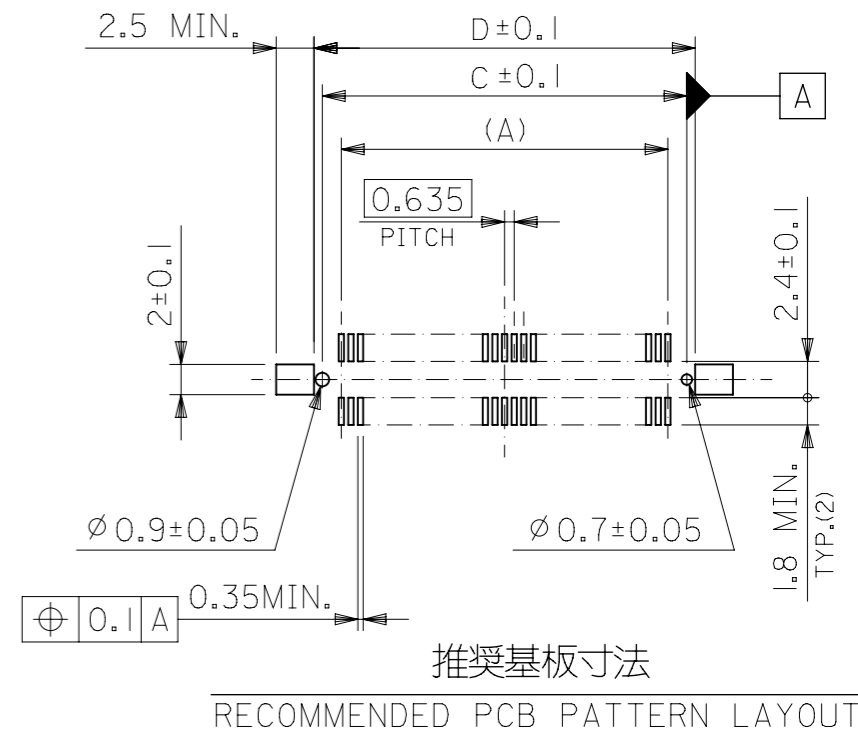
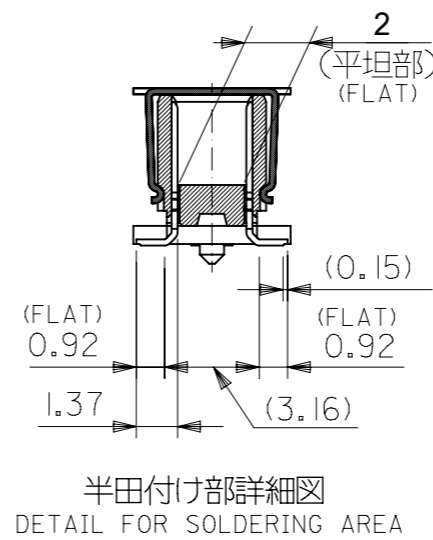
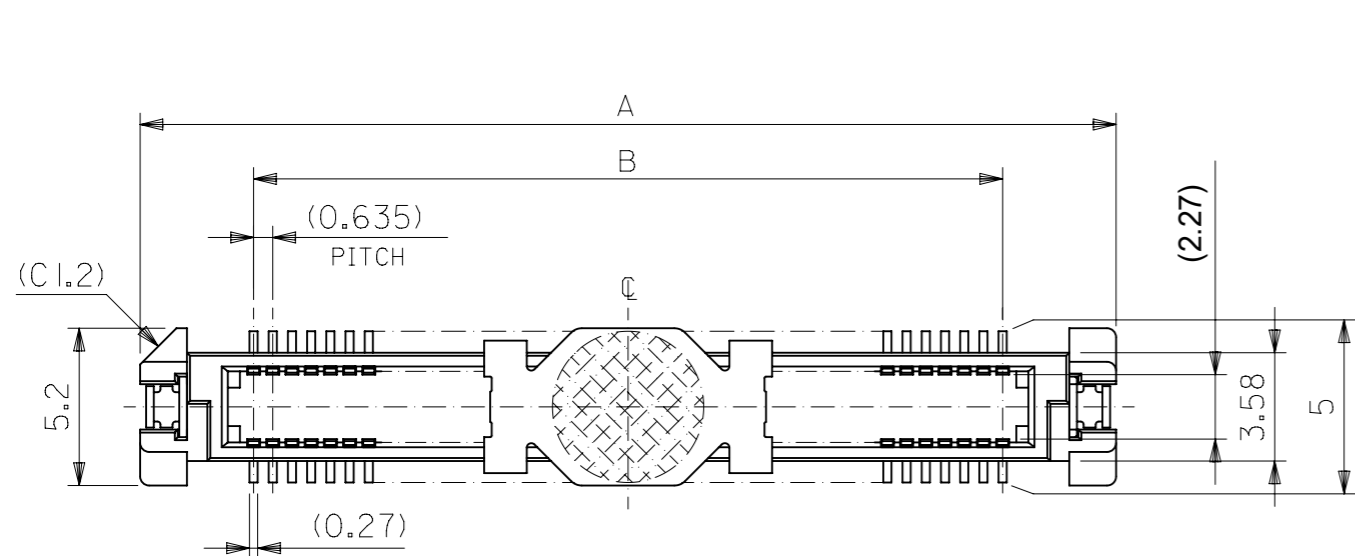
| | |
|------------------|-------|
| 断开 | 否 |
| 回路数 (已载入) | 120 |
| 电路数 (最多) | 120 |
| 颜色-树脂 | 黑色 |
| 耐用性(插拔次数) - 最多次数 | 50 |
| 阻燃性 | 94V-0 |
| 符合灼热丝规范 | 否 |

| | |
|-------------|--------------------------------|
| 锁定插接部位 | 无 |
| 插配长度 | 12.00mm, 6.00mm |
| 插配宽度 | 6.40mm |
| 材料 - 金属 | Copper Alloy |
| 材料 - 接合部位电镀 | 金牌 |
| 材料 - 终端电镀 | Tin |
| 材料 - 树脂 | High Temperature Thermoplastic |
| 净重 | 986.403/mg |
| 行数 | 2 |
| 方向 | 垂直 |
| 包装形式 | Embossed Tape on Reel |
| PCB 定位器 | 是 |
| PCB 保持力 | 是 |
| 间距 - 插配接口 | 0.635mm |
| PCB 极性 | 是 |
| 自动布局 | Metal Cap |
| 运行温度范围 | -55° to +105° C |
| 终端界面类型 | Surface Mount |

可配插/可连接使用的产品

可配插部件

| 描述 | 产品编号 |
|--|--------------|
| 0.635mm Pitch Vertical SlimStack Receptacles | <u>52885</u> |
| 0.635mm Pitch Vertical SlimStack Receptacles | <u>52901</u> |

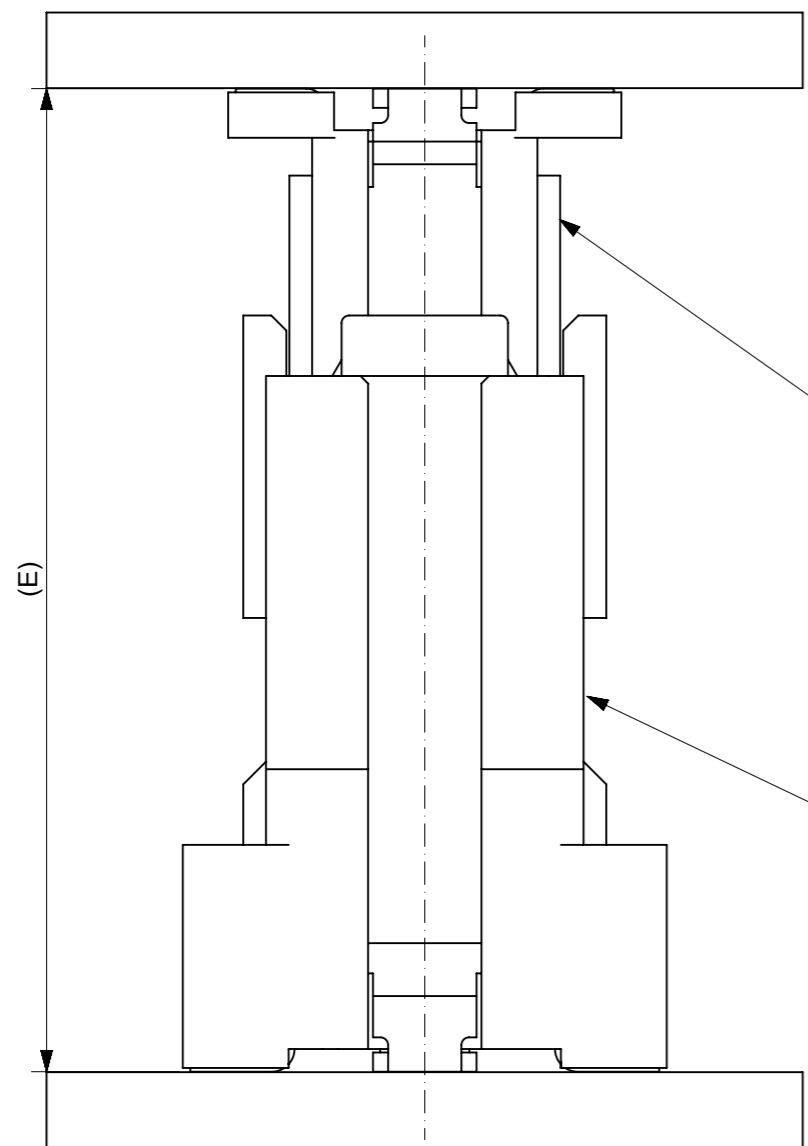


注) NOTES

- 材質
MATERIAL
ハウジング : ガラス入りLCP、黒色、UL94V-0
HOUSING: LIQUID CRYSTAL POLYMER (LCP), GLASS FILLED, BLACK, UL94V-0
ターミナル : 銅合金 (t=0.2)
TERMINAL: COPPER ALLOY
吸着カバー : ステンレス (t=0.2)
VACUUM COVER: STAINLESS STEEL
補強金具 : 銅合金 (t=0.25)
FITTING NAIL: COPPER ALLOY
- メッキ仕様
PLATING
ターミナル : 接点部 : 金メッキ 0.25 マイクロメートル以上。
TERMINAL CONTACT AREA : GOLD 0.25 MICROMETER MINIMUM.
半田付け部 : 錫メッキ 1.0 マイクロメートル以上。
SOLDER TAIL AREA : TIN 1.0 MICROMETER MINIMUM.
下地メッキ : ニッケルメッキ 1.5 マイクロメートル以上。
UNDER-PLATING : NICKEL 1.5 MICROMETER MINIMUM.
補強金具 : 錫メッキ 1.0 マイクロメートル以上。
FITTING NAIL TIN 1.0 MICROMETER MINIMUM.
下地メッキ : ニッケルメッキ 1.0 マイクロメートル以上。
UNDER-PLATING: NICKEL 1.0 MICROMETER MINIMUM.
- テールのバラツキ寸法
TAIL COPLANARITY
テール及び金具の平坦度は、0.1以下とする。
TAIL AND FITTING NAIL COPLANARITY TO BE 0.1 MAXIMUM.
- エンボス対応済みの極数については、SD-55091-007を参照下さい。
FOR THE EMBOSSED PACKAGE PRODUCTS, SEE SD-55091-007.
- 本製品は55091-***2の鉛フリー品である。
THIS PRODUCT IS LEAD FREE OF 55091-***2.

| | | | | | | | |
|----------------------|-------|-------|--------|-------|---------------------|----------------------------|--------------------------|
| 無し WITHOUT | 79.17 | 78.07 | 75.565 | 83.07 | - | - | 240 |
| | 66.47 | 65.37 | 62.865 | 70.37 | 55091-2074 | 55091-2075 | 200 |
| | 60.12 | 59.02 | 56.515 | 64.02 | - | - | 180 |
| | 53.77 | 52.67 | 50.165 | 57.67 | 55091-1674 | - | 160 |
| | 47.42 | 46.32 | 43.815 | 51.32 | 55091-1474 | - | 140 |
| | 41.07 | 39.97 | 37.465 | 44.97 | 55091-1274 | - | 120 |
| | 34.72 | 33.62 | 31.115 | 38.62 | 55091-1074 | - | 100 |
| | 31.55 | 30.45 | 27.94 | 35.45 | 55091-0974 | - | 90 |
| 有り WITH | 28.37 | 27.27 | 24.765 | 32.27 | 55091-0874 | - | 80 |
| | 25.2 | 24.1 | 21.59 | 29.1 | 55091-0774 | - | 70 |
| | 22.02 | 20.92 | 18.415 | 25.92 | 55091-0674 | - | 60 |
| | 18.85 | 17.75 | 15.24 | 22.75 | 55091-0574 | - | 50 |
| | 15.67 | 14.57 | 12.065 | 19.57 | 55091-0474 | - | 40 |
| | 12.5 | 11.4 | 8.89 | 16.4 | 55091-0374 | - | 30 |
| ハウジングロック HSG LOCK | 9.32 | 8.22 | 5.715 | 13.22 | 55091-0274 | - | 20 |
| | | | | | | エンボス梱包 EMBOSSED PACKAGE | スティック梱包 STICK PACKAGE |
| | | | | | オーダー番号 ORDER NO. | | |

| | | | |
|--|--------|---|-----------------|
| GENERAL TOLERANCES (UNLESS SPECIFIED) | | THIS DRAWING CONTAINS INFORMATION THAT IS PROPRIETARY TO MOLEX ELECTRONIC TECHNOLOGIES, LLC AND SHOULD NOT BE USED WITHOUT WRITTEN PERMISSION | |
| 10 UNDER | ± 0.2 | DIMENSION UNITS | SCALE |
| 10 OVER 30 UNDER | ± 0.25 | mm | - |
| 30 OVER | ± 0.3 | CURRENT REV DESC: | |
| ANGULAR ± 3 ° | | EC NO: 627249 | |
| DRAFT WHERE APPLICABLE MUST REMAIN WITHIN DIMENSIONS | | DRWN: JFURUKAWA 2019/11/08 | |
| | | CHK'D: HSHIMOYAMA 2019/11/14 | |
| | | APPR: SHOSHIKAWA 2020/01/13 | |
| | | INITIAL REVISION: | |
| | | DRWN: HKAWABATA 2004/03/31 | |
| | | APPR: MSASAO 2004/04/01 | |
| | | THIRD ANGLE PROJECTION | DRAWING |
| | | ⊕ | A3-SIZE |
| | | SERIES | MATERIAL NUMBER |
| | | 55091 | SEE CHART |
| | | CUSTOMER | SHEET NUMBER |
| | | GENERAL MARKET | 1 OF 2 |



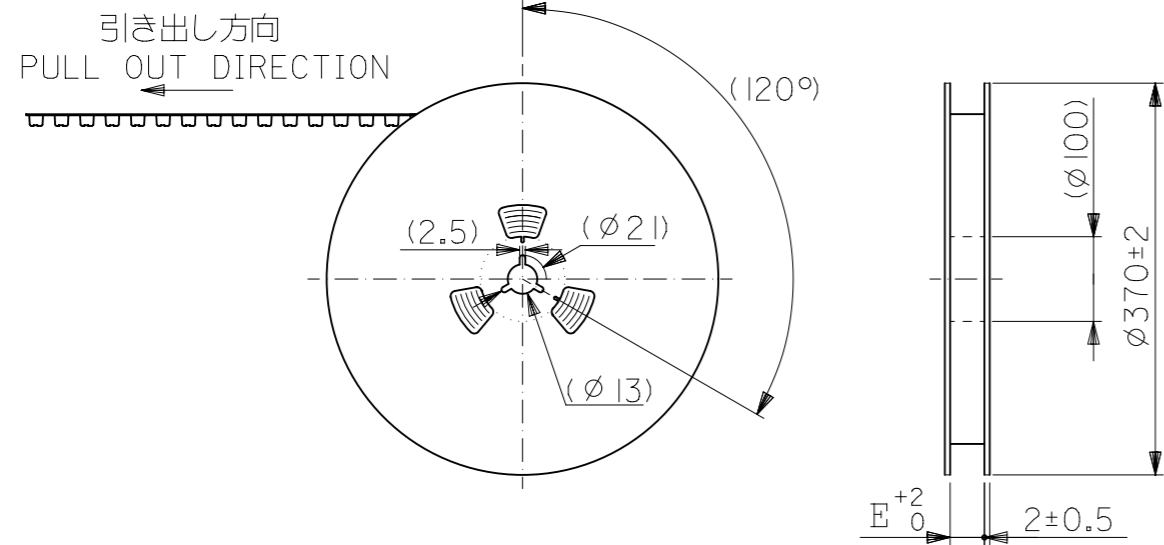
55091 series
53625 series
53647 series
53649 series
53627 series
Plug

52885 series
52901 series
Receptacle

| 嵌合高さ一覧 Stacking Height variation | | | |
|-------------------------------------|---------------------------|----------------------|--------------|
| ○ | 6 | 52885 series | 55091 series |
| | 7 | | 53625 series |
| | 8 | | 53647 series |
| | 9 | | 53649 series |
| | 10 | | 53627 series |
| ○ | 12 | 52901 series | 55091 series |
| | 13 | | 53625 series |
| | 14 | | 53647 series |
| | 15 | | 53649 series |
| | 16 | | 53627 series |
| 本図製品該当高さ Height Application | 嵌合高さ E Stacking Height | リセプタクル Receptacle | プラグ Plug |

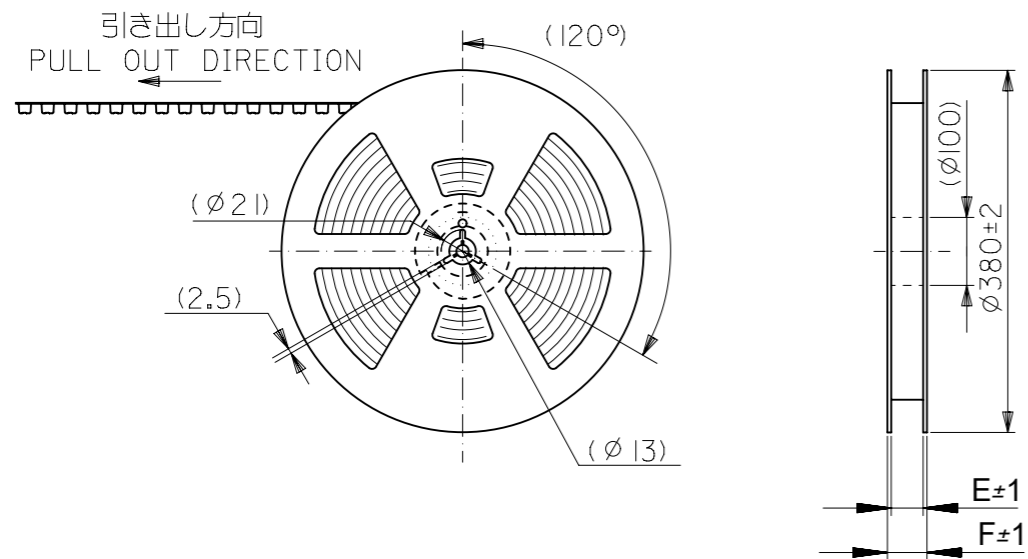
| GENERAL TOLERANCES (UNLESS SPECIFIED) | | THIS DRAWING CONTAINS INFORMATION THAT IS PROPRIETARY TO MOLEX ELECTRONIC TECHNOLOGIES, LLC AND SHOULD NOT BE USED WITHOUT WRITTEN PERMISSION | |
|--|--------|---|----------------|
| 10 UNDER | ± 0.2 | DIMENSION UNITS | SCALE |
| 10 OVER 30 UNDER | ± 0.25 | mm | - |
| 30 OVER | ± 0.3 | CURRENT REV DESC: | |
| ANGULAR | ± 3 ° | EC NO: 627249 | |
| DRAFT WHERE APPLICABLE MUST REMAIN WITHIN DIMENSIONS | | DRWN: JFURUKAWA 2019/11/08 | |
| | | CHK'D: HSHIMOYAMA 2019/11/14 | |
| | | APPR: SHOSHIKAWA 2020/01/13 | |
| | | INITIAL REVISION: | |
| | | DRWN: HKAWABATA 2004/03/31 | |
| | | APPR: MSASAO 2004/04/01 | |
| | | THIRD ANGLE PROJECTION | DRAWING |
| | | | A3-SIZE |
| | | SERIES | 55091 |
| | | MATERIAL NUMBER | SEE CHART |
| | | CUSTOMER | GENERAL MARKET |
| | | DOCUMENT NUMBER | SD-55091-006 |
| | | DOC TYPE | PSD |
| | | DOC PART | 001 |
| | | REVISION | L |
| | | SHEET NUMBER | 2 OF 2 |

20 ~ 160CKT



キャリアテープ幅：24mm~72mm
CARRIER TAPE WIDTH : 24mm-72mm

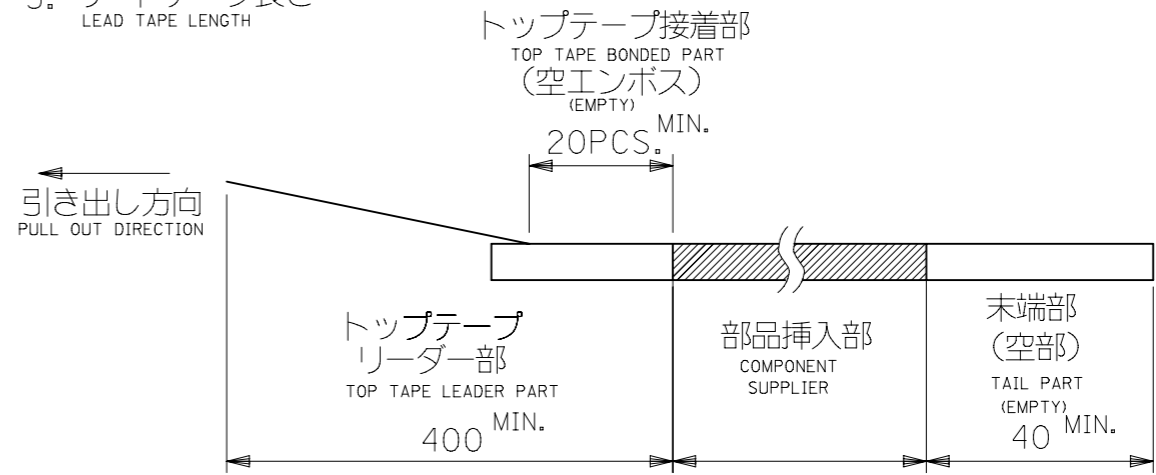
200CKT



キャリアテープ幅：88 mm
CARRIER TAPE WIDTH : 88 mm

注)
NOTES

- 製品番号 55091-***72 の詳細寸法については、SD-55091-006 を参照下さい。
IN THE PACKAGE , PART NO. 55091-***72 DETAILED DIMENSIONS , SEE SD-55091-006.
- 梱包数量 : 1000 個/リール
NUMBER OF CONNECTORS : 1000 PCS/REEL
- リードテープ長さ
LEAD TAPE LENGTH



4. 材料

MATERIAL

キャリアテープ : ポリプロピレン (PP) : 20 ~ 160 極
ポリスチレン (PS) : 200 極

CARRIER TAPE : POLYPROPYLENE (PP) : 30, 40, 50, 80, 90, 120, 140, 160, 200CKT
POLYSTYRENE (PS) : 20, 60, 70, 100, 180, 200CKT

トップテープ : PET, PE, PEF

TOP TAPE : PET, PE, PEF

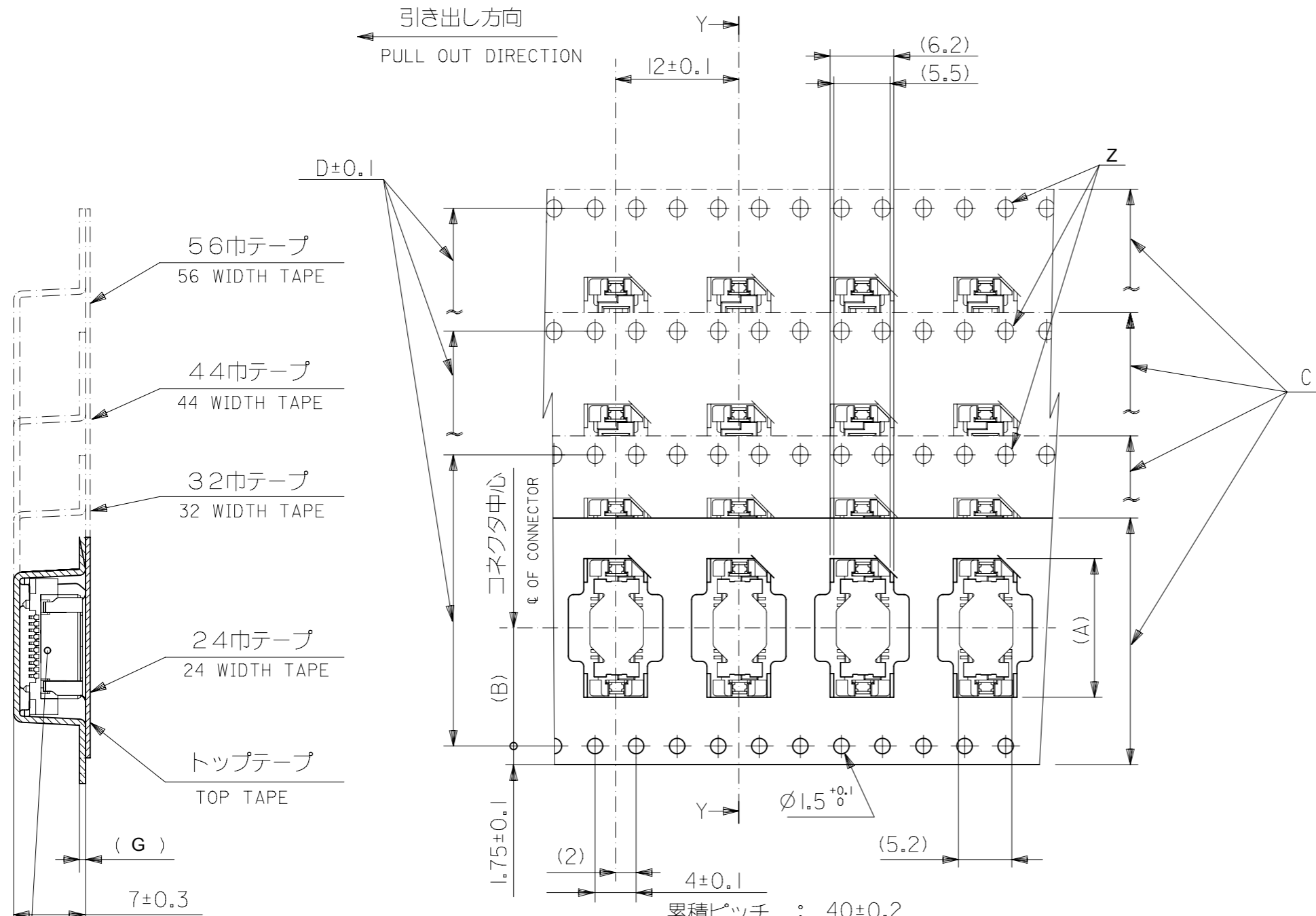
リール : キャリアテープ幅 24mm~72mm : 紙
REEL : CARRIER TAPE WIDTH 24mm-72mm : CARD BOARD

キャリアテープ幅 88mm : ポリスチレン
CARRIER TAPE WIDTH 88mm : POLYSTYRENE

- 本製品は55091-***4の鉛フリー品である。
THIS PRODUCT IS LEAD FREE OF 55091-***4.

| | | | | | |
|---|--------|------------------------|------------|---------------------------------------|-----------------|
| THIS DRAWING CONTAINS INFORMATION THAT IS PROPRIETARY TO MOLEX ELECTRONIC TECHNOLOGIES, LLC AND SHOULD NOT BE USED WITHOUT WRITTEN PERMISSION | | CURRENT REV DESC: | | molex | |
| DIMENSION UNITS | SCALE | | | | |
| mm | - | | | 55091-**72 TAPING PACKAGE -LEAD FREE- | |
| GENERAL TOLERANCES (UNLESS SPECIFIED) | | EC NO: 175909 | | PRODUCT CUSTOMER DRAWING | |
| ANGULAR TOL | ± 30° | DRWN: RMIYAMOTO | 2018/03/16 | DOCUMENT NUMBER | |
| 4 PLACES | ± 0.2 | CHK'D: KSASAKI | 2018/05/01 | SD-55091-007 | |
| 3 PLACES | ± 0.25 | APPR: RTAKEUCHI | 2018/05/01 | DOC TYPE | DOC PART |
| 2 PLACES | ± 0.3 | INITIAL REVISION: | | PSD | 001 |
| 1 PLACE | ± 0.2 | DRWN: HKAWABATA | 2004/03/31 | REVISION | |
| 0 PLACES | ± | APPR: MSASAO | 2004/04/01 | F | |
| DRAFT WHERE APPLICABLE MUST REMAIN WITHIN DIMENSIONS | | THIRD ANGLE PROJECTION | DRAWING | SERIES | MATERIAL NUMBER |
| | | | A3-SIZE | 55091 | SEE CHART |
| | | | | CUSTOMER | SHEET NUMBER |
| | | | | GENERAL MARKET | 1 OF 3 |

引き出し方向
PULL OUT DIRECTION



56巾テープ
56 WIDTH TAPE

44巾テープ
44 WIDTH TAPE

32巾テープ
32 WIDTH TAPE

24巾テープ
24 WIDTH TAPE

トップテープ
TOP TAPE

(G)

7±0.3

55091-**72
CONNECTOR

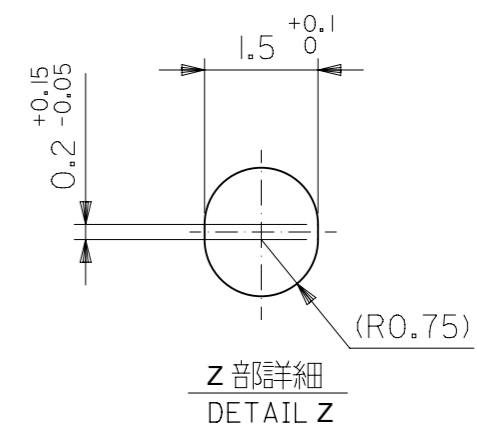
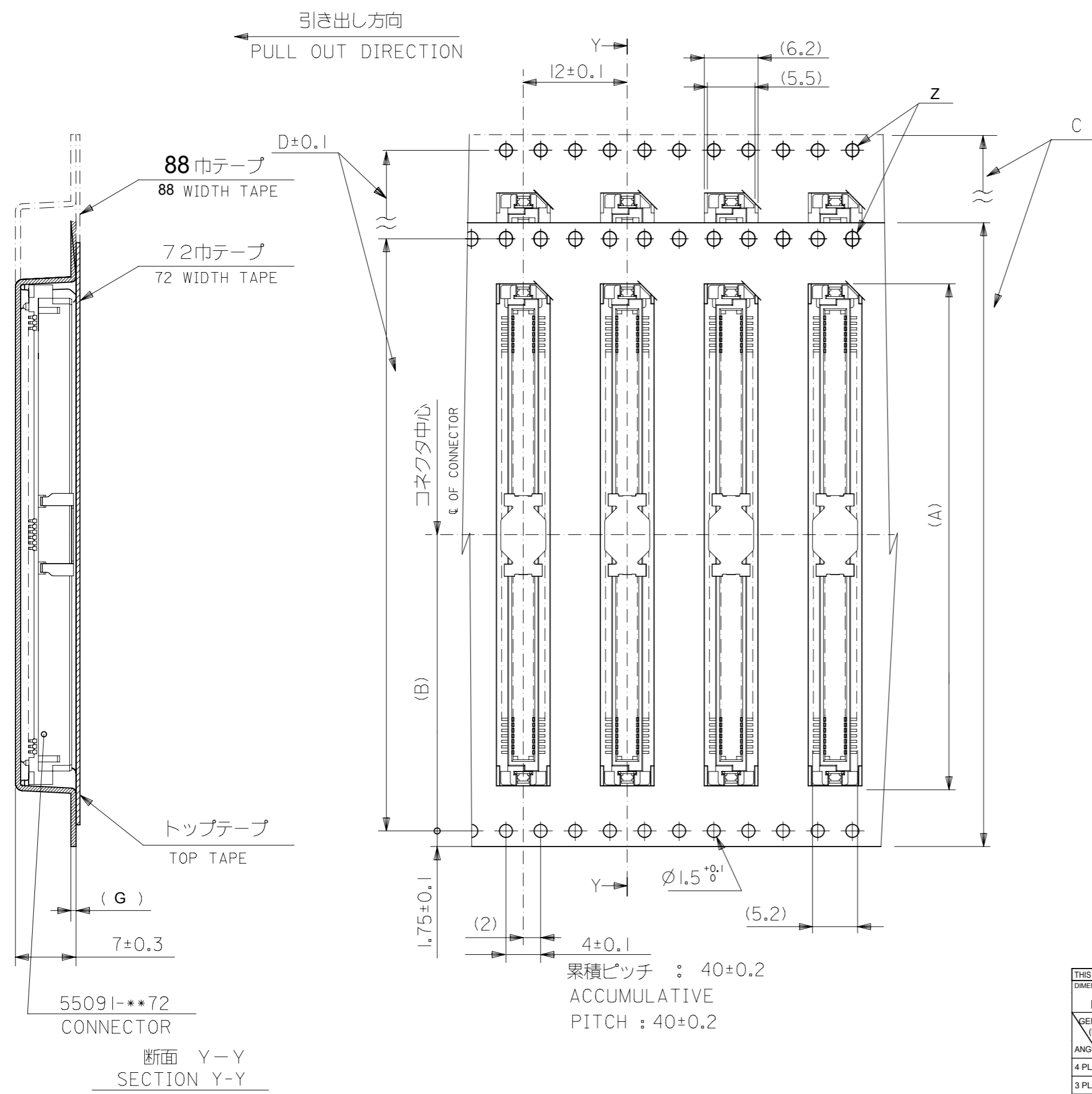
断面 Y-Y
SECTION Y-Y

累積ピッチ : 40±0.2
ACCUMULATIVE
PITCH : 40±0.2

| | | | | | | | | | | | |
|------------|----------------------|-----|---|------|------|-------------------------------------|------|------|---------------------|------------|----|
| CARD BOARD | PP | 0.6 | - | 56.4 | 52.4 | 56±0.3 | 26.2 | 38.9 | 55091-1074 | 100 | |
| | | | | | | | | 35.8 | 55091-0974 | 90 | |
| | | | | | | | | 32.6 | 55091-0874 | 80 | |
| | | | | | | | | 29.4 | 55091-0774 | 70 | |
| | | | | | | | | 26.2 | 55091-0674 | 60 | |
| | | | | | | | | 23.1 | 55091-0574 | 50 | |
| リール REEL | キャリアテープ CARRIER TAPE | G | F | E | D | C キャリアテープ幅 CARRIER TAPE WIDTH | B | A | 19.9 | 55091-0474 | 40 |
| | | | | | | | | | 16.7 | 55091-0374 | 30 |
| | | | | | | | | | 11.5 | 55091-0274 | 20 |
| | | | | | | | | | | | |
| | | | | | | | | | | | |
| | | | | | | | | | | | |
| | | | | | | | | | オーダー番号 ORDER NO. | 極数 CKT | |

THIS DRAWING CONTAINS INFORMATION THAT IS PROPRIETARY TO MOLEX ELECTRONIC TECHNOLOGIES, LLC AND SHOULD NOT BE USED WITHOUT WRITTEN PERMISSION

| | | | | | | |
|--|------------------------|-------------------|------------|--------------------------|----------------|----------|
| DIMENSION UNITS mm | SCALE - | CURRENT REV DESC: | | molex | | |
| GENERAL TOLERANCES (UNLESS SPECIFIED) | | EC NO: 175909 | | | | |
| ANGULAR TOL ± 30° | | DRWN: RMIYAMOTO | 2018/03/16 | PRODUCT CUSTOMER DRAWING | | |
| 4 PLACES ± 0.2 | | CHK'D: KSASAKI | 2018/05/01 | DOCUMENT NUMBER | | |
| 3 PLACES ± 0.25 | | APPR: RTAKEUCHI | 2018/05/01 | SD-55091-007 | | |
| 2 PLACES ± 0.3 | | INITIAL REVISION: | | DOC TYPE | DOC PART | REVISION |
| 1 PLACE ± 0.2 | | DRWN: HKAWABATA | 2004/03/31 | PSD | 001 | F |
| 0 PLACES ± | | APPR: MSASAO | 2004/04/01 | SHEET NUMBER | | |
| DRAFT WHERE APPLICABLE MUST REMAIN WITHIN DIMENSIONS | THIRD ANGLE PROJECTION | DRAWING | SERIES | MATERIAL NUMBER | CUSTOMER | |
| | | A3-SIZE | 55091 | SEE CHART | GENERAL MARKET | 2 OF 3 |



| | | | | | | | | | | |
|------------|----------------------|-----|----|------|------|-------------------------------------|------|------|---------------------|-----------|
| PS | PS | 0.5 | 94 | 90 | 84.4 | 88±0.3 | 42.2 | 70.7 | 55091-2074 | 200 |
| CARD BOARD | PP | 0.6 | - | 72.4 | 68.4 | 72±0.3 | 34.2 | 58.0 | 55091-1674 | 160 |
| | | | | | | | | 51.6 | 55091-1474 | 140 |
| | | | | | | | | 45.3 | 55091-1274 | 120 |
| リール REEL | キャリアテープ CARRIER TAPE | G | F | E | D | C キャリアテープ幅 CARRIER TAPE WIDTH | B | A | オーダー番号 ORDER NO. | 極数 CKT |

THIS DRAWING CONTAINS INFORMATION THAT IS PROPRIETARY TO MOLEX ELECTRONIC TECHNOLOGIES, LLC AND SHOULD NOT BE USED WITHOUT WRITTEN PERMISSION

| | | | | | |
|--|-------|----------------------------|--|---------------------------------------|--|
| DIMENSION UNITS | SCALE | CURRENT REV DESC: | | molex | |
| mm | - | | | | |
| GENERAL TOLERANCES (UNLESS SPECIFIED) | | EC NO: 175909 | | 55091-**72 TAPING PACKAGE -LEAD FREE- | |
| ANGULAR TOL ± 30° | | DRWN: RMIYAMOTO 2018/03/16 | | PRODUCT CUSTOMER DRAWING | |
| 4 PLACES ± 0.2 | | CHK'D: KSASAKI 2018/05/01 | | DOCUMENT NUMBER | |
| 3 PLACES ± 0.25 | | APPR: RTAKEUCHI 2018/05/01 | | SD-55091-007 | |
| 2 PLACES ± 0.3 | | INITIAL REVISION: | | DOC TYPE | |
| 1 PLACE ± 0.2 | | DRWN: HKAWABATA 2004/03/31 | | PSD | |
| 0 PLACES ± | | APPR: MSASAO 2004/04/01 | | DOC PART | |
| DRAFT WHERE APPLICABLE MUST REMAIN WITHIN DIMENSIONS | | THIRD ANGLE PROJECTION | | REVISION | |
| | | DRAWING | | F | |
| | | SERIES | | SHEET NUMBER | |
| | | A3-SIZE | | 3 OF 3 | |
| | | MATERIAL NUMBER | | CUSTOMER | |
| | | 55091 | | GENERAL MARKET | |
| | | SEE CHART | | | |