



产品编号 : 557633070

系列号 : 55763

Product Category : PCB Headers and Receptacles

Product Description : 2.00mm Pitch MicroClasp Wire-to-Board Header, Surface Mount, Dual Row, Vertical, 30 Circuits

状态 : Active

文件和资源

图纸

图纸 557633070_sd.pdf

3D 模型和设计文件

3D模型 557633070_stp.zip

规格


应用规格 561340000-AS-000.pdf

包装规格 557639200-SPK-000.pdf

产品规格 PS-51242-002-001.pdf

产物环境合规

合规

GADSL/IMDS	Not Relevant
China RoHS	
EU ELV	Not Relevant
Low-Halogen Status	Not Low-Halogen per IEC 61249-2-21
REACH SVHC	Not Contained per D(2023)8585-DC (23 Jan 2024)
EU RoHS	Compliant per EU 2015/863

多部分产品合规性声明

- Eu RoHS
- REACH SVHC
- Low-Halogen

- IPC 1752A Class C
- IPC 1752A Class D
- Molex Product Compliance Declaration

- IEC-62474

- chemSHERPA (xml)

欧盟 RoHS 合格证书

产品详情

常规

状态	活动
类别	PCB Headers and Receptacles
系列	55763
说明	2.00mm Pitch MicroClasp Wire-to-Board Header, Surface Mount, Dual Row, Vertical, 30 Circuits
应用	Signal, Wire-to-Board
元件类型	PCB Header
产品系列	MicroClasp Wire-to-Board System
产品名称	MicroClasp
UPC	822348264780

电气

每触点最大电流	3.0A
电压 - 最大	250V

物理

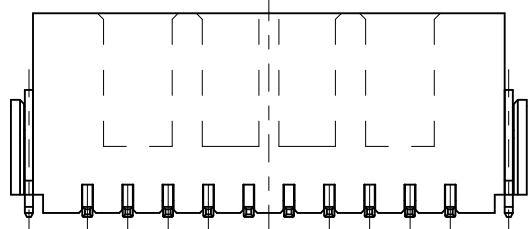
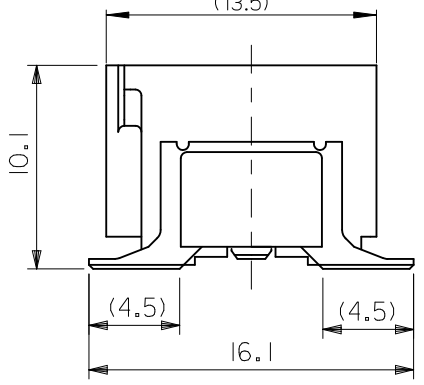
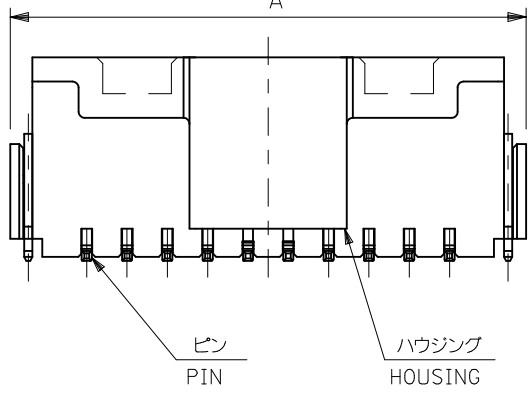
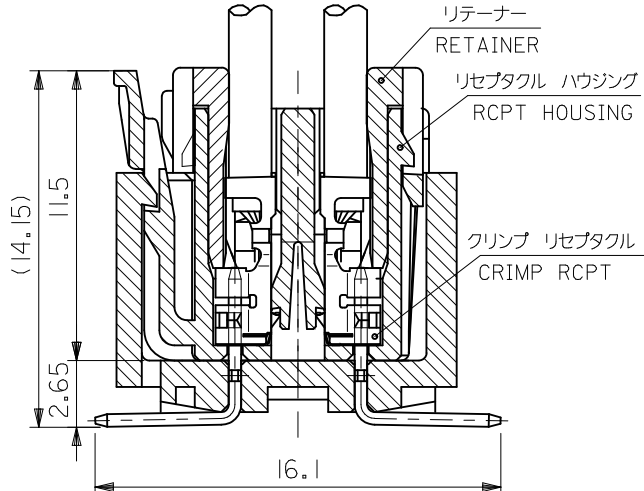
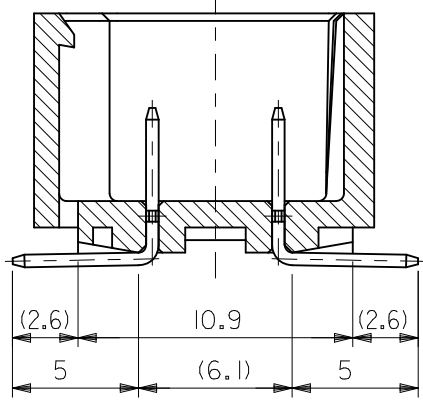
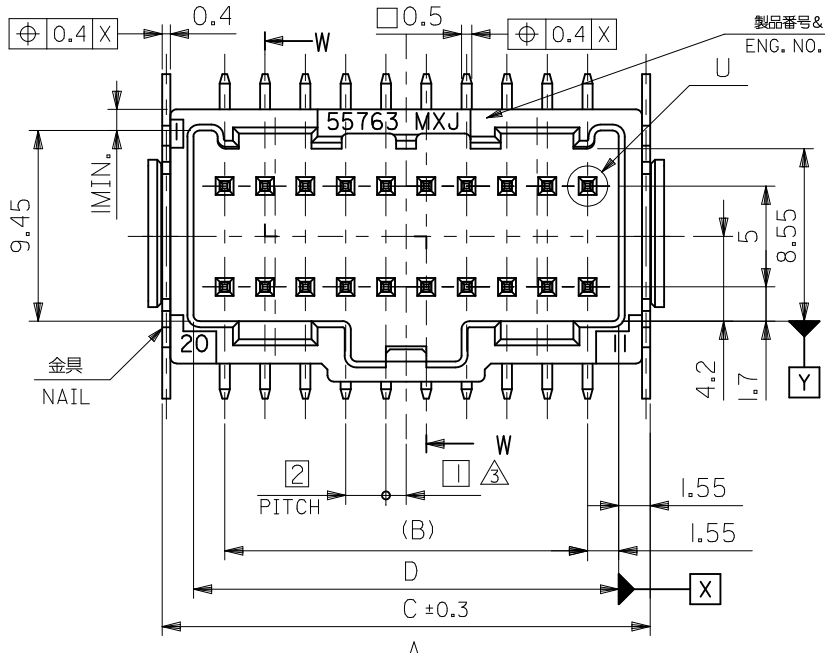
断开	否
回路数 (已载入)	30
电路数 (最多)	30
耐用性(插拔次数) - 最多次数	30
先接后断	否
符合灼热丝规范	否
可配插产品指南	否
插接极性	无
锁定插接部位	是
材料 - 接合部位电镀	Tin
材料 - 终端电镀	Tin
净重	3514.200/mg

行数	2
方向	垂直
包装形式	Embossed Tape on Reel
PC 焊脚长度	4.50mm
PCB 定位器	否
PCB 保持力	是
间距 - 插配接口	2.00mm
有护墙的	Fully
可堆叠的	否
运行温度范围	-25° to +85° C
终端界面类型	Surface Mount

可配插/可连接使用的产品

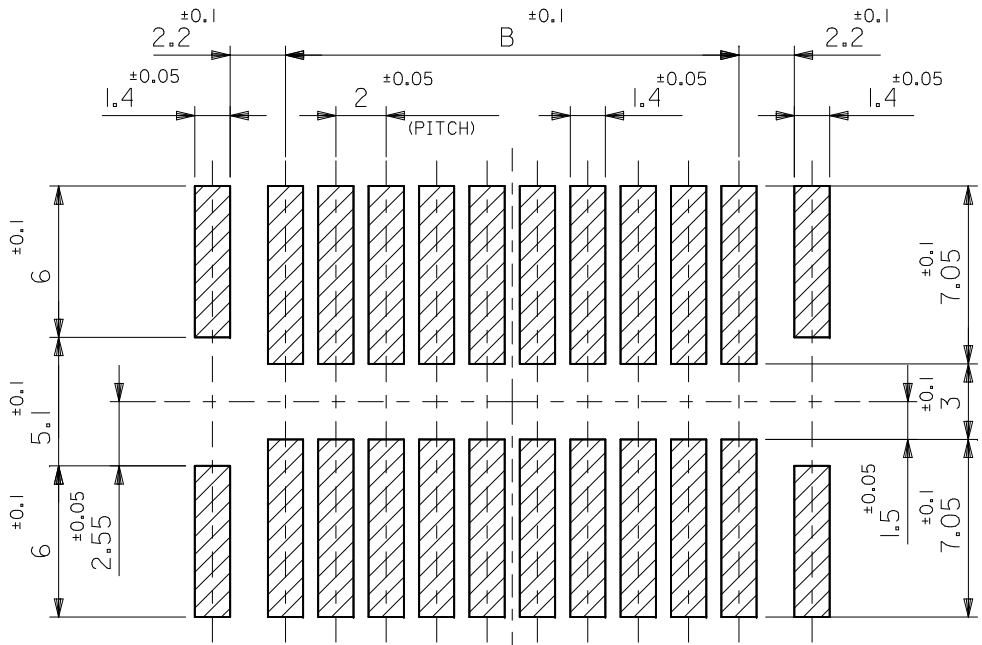
可配插部件

描述	产品编号
MicroClasp Dual Row Receptacle Housings	<u>51242</u>

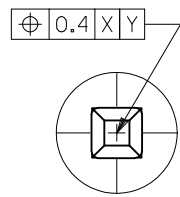


41.1	44.2	38	45.6	55763-408*	40
31.1	34.2	28	35.6	55763-308*	30
21.1	24.2	18	25.6	55763-208*	20
D	C	B	A	△ MATERIAL NO.	CKT.
MODEL NO. 55763-***8*					

REVISED EC NO: J2010-2017 DRWN: ITO CHKD: K. TOJO APPR: NUKITA	2010/04/07 2010/04/09 2010/04/12	GENERAL TOLERANCES (UNLESS SPECIFIED)		DIMENSION STYLE MM ONLY		SCALE 4:1	DESIGN UNITS METRIC	THIRD ANGLE PROJECTION	
		10 UNDER	±0.2	DRAWN BY M. NAGATA	DATE 2004/02/10	TITLE 2.0MM W-TO-B DUAL CONN PLUG HOUSING ASS'Y -LEAD FREE-			
		10 OVER 30 UNDER	±0.25	CHECKED BY K. TOJO	DATE 2004/02/10	MOLEX INCORPORATED			
		30 OVER	±0.3	APPROVED BY M. SASAO	DATE 2004/02/10	DOCUMENT NO. SD-55763-006			
REV	DESCRIPTION	ANGULAR	±3 °	MATERIAL NO. SEE CHART		SHEET NO. 1 OF 2		INCORPORATED AND SHOULD NOT BE USED WITHOUT WRITTEN PERMISSION	
		DRAFT WHERE APPLICABLE MUST REMAIN WITHIN DIMENSIONS		SIZE A3					



参考基板レイアウト (マウント面)
P.C.BOARD PATTERN DIMENSION (REFERENCE)
(MOUNTING AREA)



DETAIL U
SCALE 30:1

注記 NOTES

1. 使用材料 MATERIAL
ハウジング: ポリアミド、ガラス入り、UL94V-0、色: 自然色 (白)
HOUSING: PA46, UL94V-0, COLOR: NATURAL (WHITE)
ピン: 黄銅 (口0.5)
PIN: BRASS (口0.5)
金具: 黄銅 (t=0.4)
NAIL: BRASS (t=0.4)
2. メッキ仕様 PLATING
ピン PIN
錫 2.0マイクロメートル
TIN 2.0MICROMETER MINIMUM
下地メッキ: 銅メッキ 1.0マイクロメートル
UNDER PLATING: COPPER 1.0MICROMETER MINIMUM
金具 NAIL
錫 2.0マイクロメートル
TIN 2.0MICROMETER MINIMUM
下地メッキ: ニッケルメッキ 1.0マイクロメートル
UNDER PLATING: NICKEL 1.0MICROMETER MINIMUM

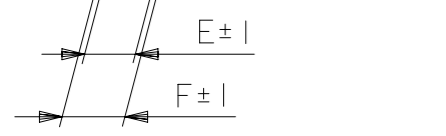
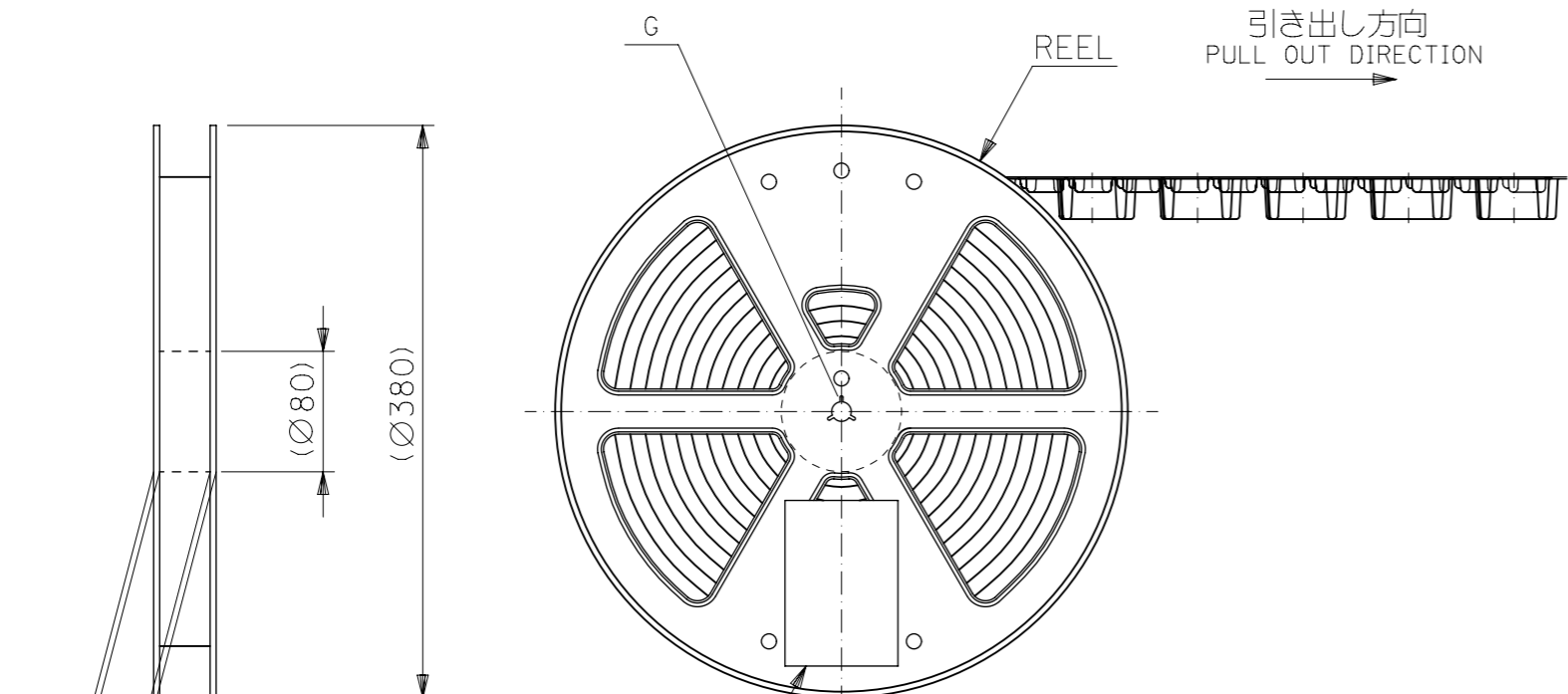
⚠ (全極数/2) = 偶数の場合に適用。
APPLY FOR (CIRCUIT/2)=EVEN

4. 嵌合相手: 51242-***00
MATE WITH: 51242-***00
5. テール平坦度は、0.1以下
テール及び金具の平坦度は、0.1以下
TAIL COPLANARITY TO BE 0.1MAXIMUM.
TAIL AND FITTING NAIL
COPLANARITY TO BE 0.1 MAXIMUM.

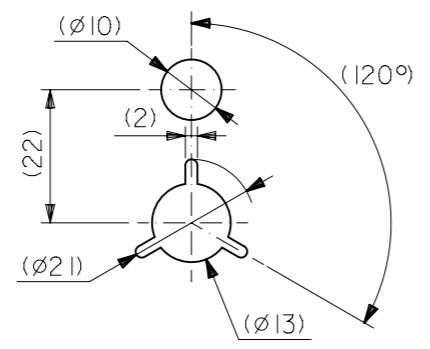
⚠ 製品番号
MATERIAL NO.
55763-***8*
極数 CIRCUIT SIZE | 色 COLOR
ナチュラル (白) NATURAL (WHITE) 0
赤 RED 2

7. 本製品は 55763-*** の鉛フリー品である。
THIS PRODUCT IS LEAD FREE OF 55763-***

REVISED EC NO: J2010-2017 DRWN: NITO 2010/04/07 CHKD: TOJO 2010/04/09 APPR: NUKITA 2010/04/12	GENERAL TOLERANCES (UNLESS SPECIFIED)		DIMENSION STYLE MM ONLY	SCALE ---	DESIGN UNITS METRIC	MODEL NO. 55763-***8*	THIRD ANGLE PROJECTION
	10 UNDER	± ---	DRAWN BY M. NAGATA	DATE 2004/02/10	TITLE 2.0MM W-TO-B DUAL CONN PLUG HOUSING ASS'Y -LEAD FREE-		
	10 OVER 30 UNDER	± ---	CHECKED BY K. TOJO	DATE 2004/02/10	MOLEX INCORPORATED		
	30 OVER	± ---	APPROVED BY M. SASAO	DATE 2004/02/10	MATERIAL NO. SEE CHART	DOCUMENT NO. SD-55763-006	SHEET NO. 2 OF 2
REV	DESCRIPTION	ANGULAR ± --- ° DRAFT WHERE APPLICABLE MUST REMAIN WITHIN DIMENSIONS	SIZE A3	THIS DRAWING CONTAINS INFORMATION THAT IS PROPRIETARY TO MOLEX INCORPORATED AND SHOULD NOT BE USED WITHOUT WRITTEN PERMISSION			

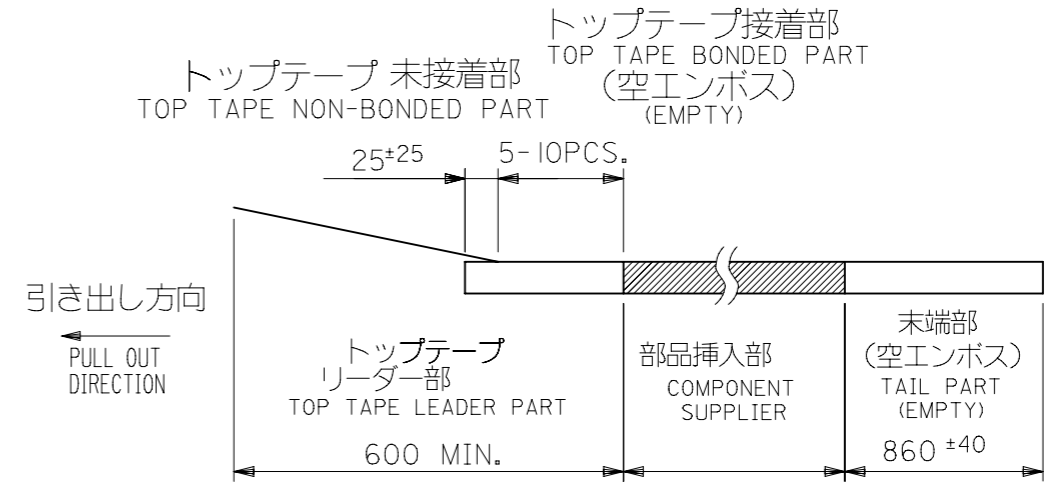


現品票
PART IDENTIFICATION LABEL

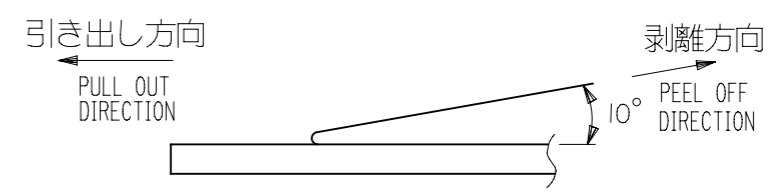


DETAIL G

- NOTES
- 梱包数量：300個/リール
NUMBER OF CONNECTORS : 300PCS/REEL
 - リードテープ長さ
LEAD TAPE LENGTH



- トップテープの剥離強度：0.1N ~ 1.3N {10 ~ 130gf}
 <剥離速度：300mm/min (参考)> (剥離方向は下図参照)
 PEELING OFF FORCE OF TOP TAPE : 0.1N ~ 1.3N {10 ~ 130gf}
 (PEELING DIRECTION AS SHOWN IN FOLLOWING FIG.)
 PEELING OFF SPEED : 300mm/min. (REF.)



- 材料
 キャリアテープ：ポリプロピレン (PP)
 トップテープ：PET、PE、PEF
 リール：ポリスチレン (PS) <リサイクル材を含む>
 MATERIAL CARRIER TAPE : POLYPROPYLENE
 TOP TAPE : PET,PE,PEF
 REEL : POLYSTYREN(PS) <RECYCLE MATERIAL CONTAINED>

5. 欠損無きこと。
THERE MUST NOT BE LOSS.

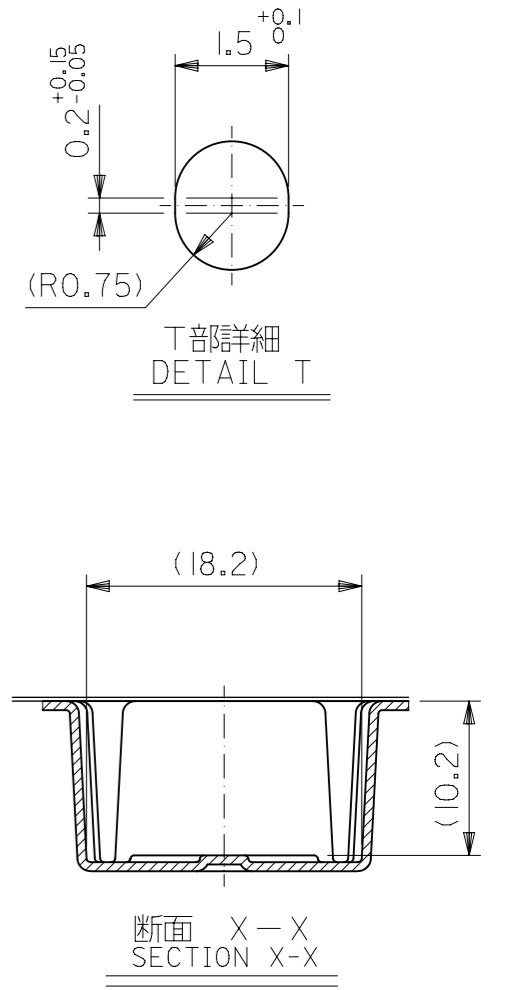
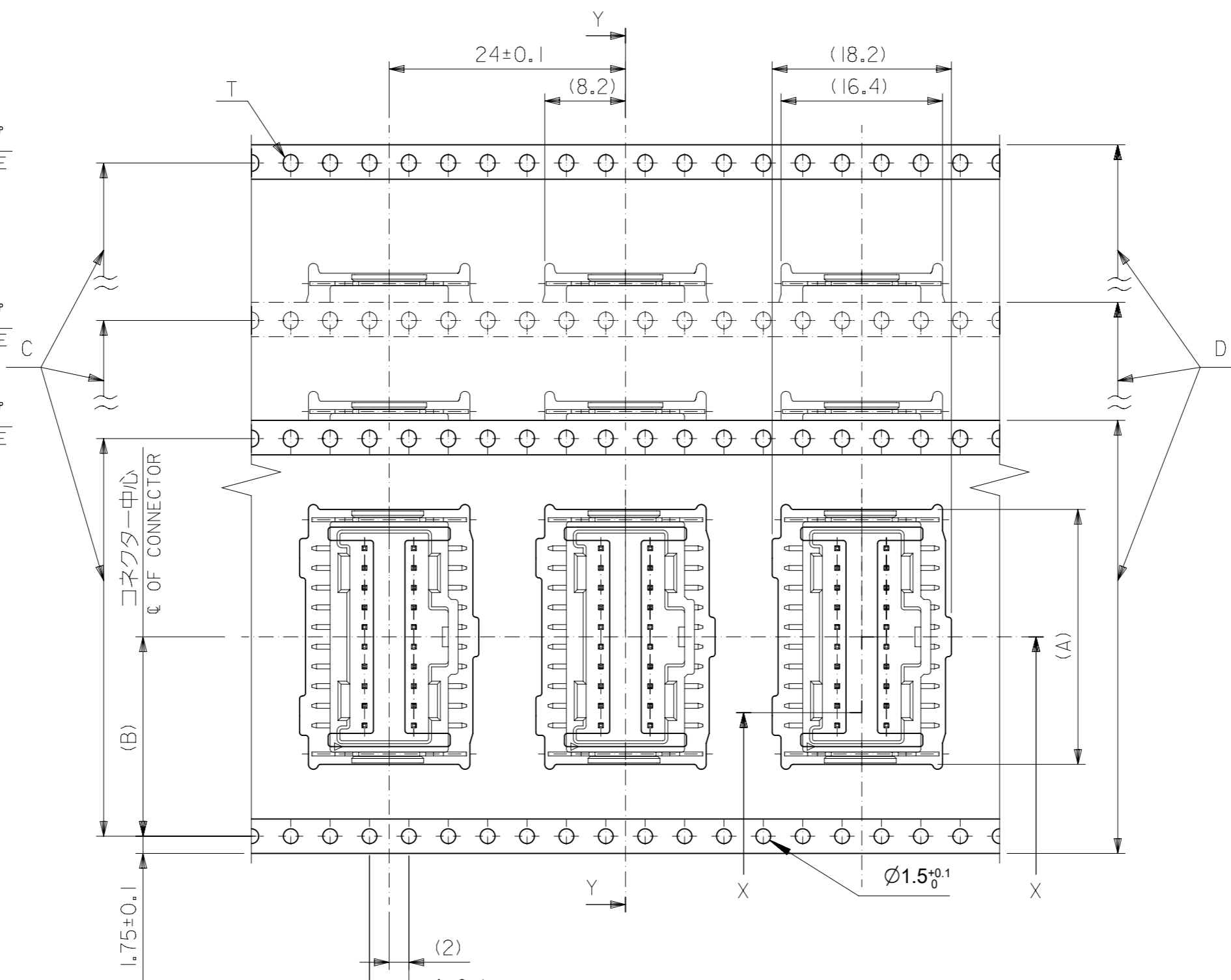
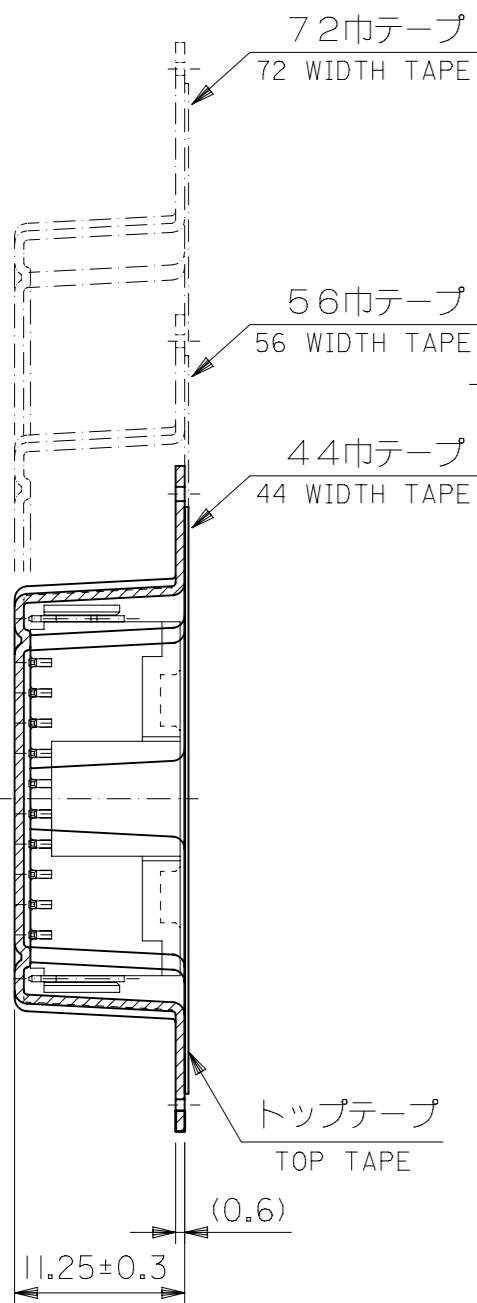
△ 製品番号
MATERIAL NO.
55763-***7*
極数 CIRCUIT SIZE | 色 COLOR | ナチュラル (白) | 0
NATURAL (WHITE)

7. 本製品は 55763-***9* の鉛フリー品である。
THIS PRODUCT IS LEAD FREE OF 55763-***9*.

8. 本製品は乾燥剤入り、ハイバリア梱包仕様である。
開梱後の保管条件に注意して下さい。(PS-51242-002参照)
HIGH BARRIER PACKAGING INCLUDING DESICCANT.
NOTE THE CONDITION OF THE OPEN PACKAGE.
(REFER TO PS-51242-002)

MODEL NO. | 55763-***7*

GENERAL TOLERANCES (UNLESS SPECIFIED)		THIS DRAWING CONTAINS INFORMATION THAT IS PROPRIETARY TO MOLEX ELECTRONIC TECHNOLOGIES, LLC AND SHOULD NOT BE USED WITHOUT WRITTEN PERMISSION			
10 UNDER	± 0.2	DIMENSION UNITS	SCALE		
10 OVER	± 0.25	mm	---	CURRENT REV DESC: REMOVED OBSOLETE PART NUMBERS AS PER PCN#512606.	
30 OVER	± 0.3	GENERAL TOLERANCES (UNLESS SPECIFIED)		EC NO: 764691	
ANGULAR	± 3	ANGULAR TOL ± 30°		DRWN: RAVINR1 2023/09/07	
DRAFT WHERE APPLICABLE MUST REMAIN WITHIN DIMENSIONS		4 PLACES ± 0.2		CHK'D: GGA 2023/10/13	
DRAFT WHERE APPLICABLE MUST REMAIN WITHIN DIMENSIONS		3 PLACES ± 0.25		APPR: GGA 2023/10/13	
DRAFT WHERE APPLICABLE MUST REMAIN WITHIN DIMENSIONS		2 PLACES ± 0.3		INITIAL REVISION:	
DRAFT WHERE APPLICABLE MUST REMAIN WITHIN DIMENSIONS		1 PLACE ±		DRWN: M.NAGATA 2004/02/10	
DRAFT WHERE APPLICABLE MUST REMAIN WITHIN DIMENSIONS		0 PLACES ±		APPR: M.SASAO 2004/02/10	
DRAFT WHERE APPLICABLE MUST REMAIN WITHIN DIMENSIONS		THIRD ANGLE PROJECTION		DOCUMENT NUMBER	
DRAFT WHERE APPLICABLE MUST REMAIN WITHIN DIMENSIONS		DRAWING		SD-55763-007	
DRAFT WHERE APPLICABLE MUST REMAIN WITHIN DIMENSIONS		SERIES		DOC TYPE	
DRAFT WHERE APPLICABLE MUST REMAIN WITHIN DIMENSIONS		A3-SIZE		PSD	
DRAFT WHERE APPLICABLE MUST REMAIN WITHIN DIMENSIONS		55763		DOC PART	
DRAFT WHERE APPLICABLE MUST REMAIN WITHIN DIMENSIONS		SEE TABLE		001	
DRAFT WHERE APPLICABLE MUST REMAIN WITHIN DIMENSIONS		GENERAL MARKET		REVISION	
DRAFT WHERE APPLICABLE MUST REMAIN WITHIN DIMENSIONS		1 OF 2		E1	



NATURAL	77.4	73.4	72±0.3	68.4	34.25	45.9	55763-4070	40	
	61.4	57.4	56±0.3	52.4	26.25	35.9	55763-3070	30	
	49.4	45.4	44±0.3	40.4	20.25	25.9	55763-2070	20	
COLOR	F	E	D キャリアテープ幅 CARRIER TAPE WIDTH		C	(B)	(A)	製品番号 MATERIAL NO.	極数 CIRCUITS
							MODEL NO.	55763-***7*	

GENERAL TOLERANCES (UNLESS SPECIFIED)		THIS DRAWING CONTAINS INFORMATION THAT IS PROPRIETARY TO MOLEX ELECTRONIC TECHNOLOGIES, LLC AND SHOULD NOT BE USED WITHOUT WRITTEN PERMISSION	
10 UNDER	± 0.2	DIMENSION UNITS	SCALE
10 OVER	± 0.25	mm	NTS
30 OVER	± 0.3	GENERAL TOLERANCES (UNLESS SPECIFIED)	
ANGULAR ± 3 °		ANGULAR TOL ± 30 °	
DRAFT WHERE APPLICABLE MUST REMAIN WITHIN DIMENSIONS		4 PLACES ± 0.2	
		3 PLACES ± 0.25	
		2 PLACES ± 0.3	
		1 PLACE ±	
		0 PLACES ±	
		DRAFT WHERE APPLICABLE MUST REMAIN WITHIN DIMENSIONS	
		THIRD ANGLE PROJECTION	
		DRAWING	
		SERIES	
		MATERIAL NUMBER	
		CUSTOMER	
		SHEET NUMBER	
		A3-SIZE	
		55763	
		SEE TABLE	
		GENERAL MARKET	
		2 OF 2	

molex

2.0MM W-TO-B DUAL CONN
ASSY EMBSTP PKG HIGH BARRIER

PRODUCT CUSTOMER DRAWING

DOCUMENT NUMBER: SD-55763-007

DOC TYPE: PSD

DOC PART: 001

REVISION: E1