



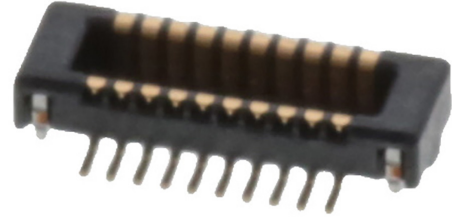
产品编号：[559090274](#)

Product Description : SlimStack Board-to-Board Plug, 0.40mm Pitch, J-Bend Series, 0.20µm Gold (Au) Plating, 1.50 or 1.80mm Mated Height, 3.40 or 4.20mm Mated Width, 20 Circuits

系列号：55909

状态：Active

Product Category : Board-to-Board Connectors



文件和资源

图纸

[图纸 559090274_sd.pdf](#)

3D 模型和设计文件

[2D 图纸 DXF 559090274.dxf](#)

[2D 图纸 DXF PDF 559090274.pdf](#)

[3D模型 559090274_stp.zip](#)

规格

[包装规格 SPK-55909-001-001.pdf](#)

[产品规格 PS-51338-002-001.pdf](#)

产物环境合规

合规

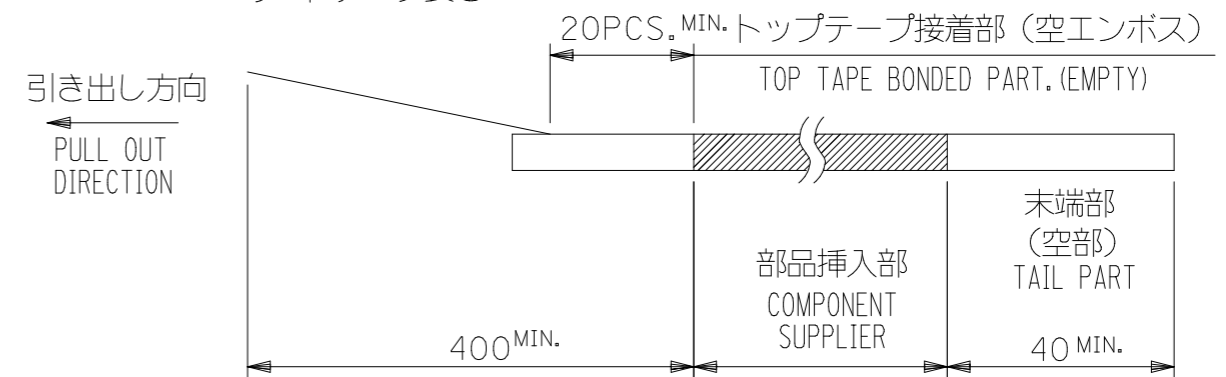
GADSL/IMDS	Not Relevant
China RoHS	
EU ELV	Not Relevant
Low-Halogen Status	Low-Halogen per IEC 61249-2-21
REACH SVHC	Not Contained per D(2023)3788-DC (14 Jun 2023)
EU RoHS	Compliant per EU 2015/863

多部分产品合规性声明

- Eu RoHS
- REACH SVHC
- Low-Halogen

NOTES

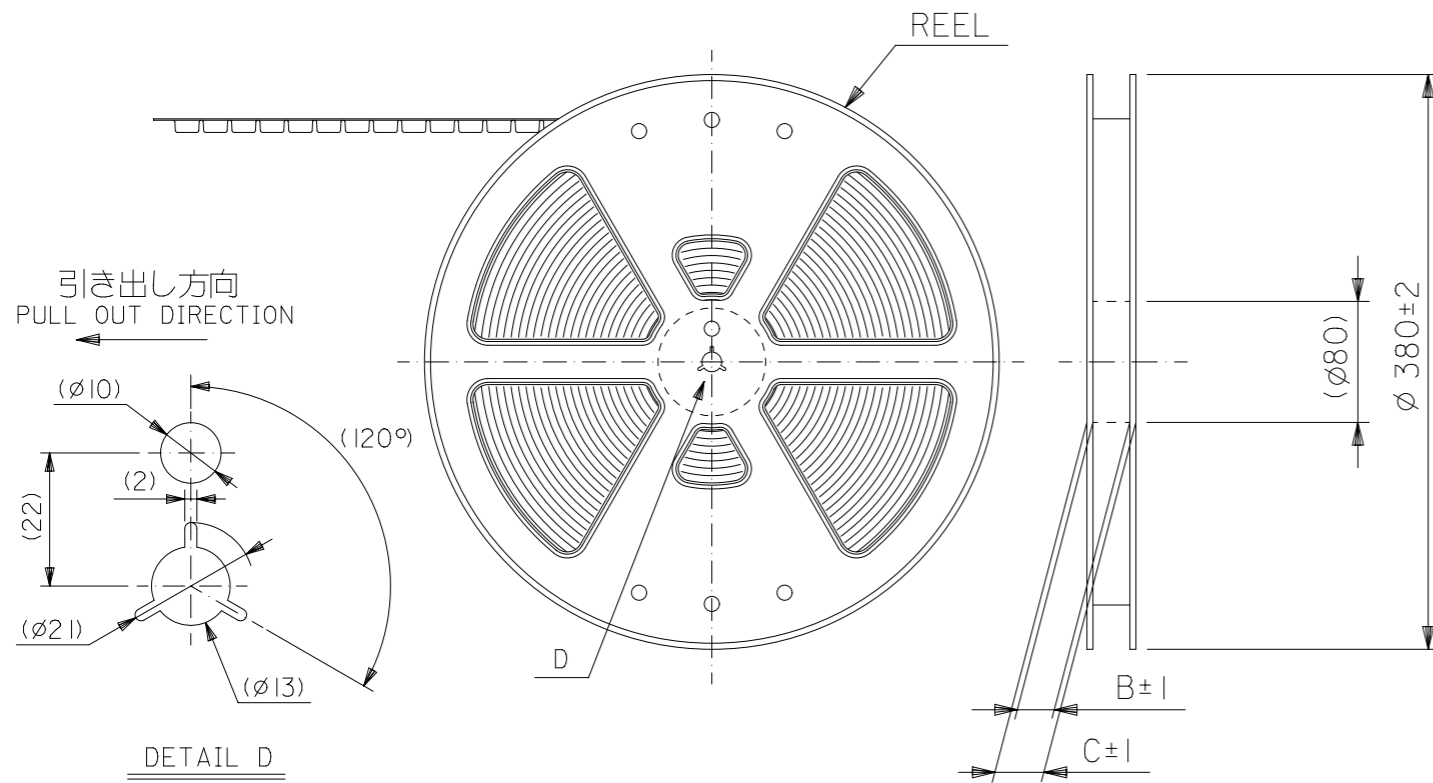
- 製品詳細寸法については製品単体図面を参照下さい。
DETAIL DIMENSIONS, SEE PRODUCT DRAWING.
- 梱包数量：2500個/リール
NUMBER OF CONNECTORS : 2500PCS/REEL
- リードテープ長さ LEAD TAPE LENGTH



- 材料 MATERIAL
キャリアテープ (CARRIER TAPE) : POLYSTYRENE (PS)
トップテープ (TOPTAPE) : PET
リール (REEL) : ポリスチレン (PS) <リサイクル材を含む>
POLYSTYRENE (PS) <RECYCLE MATERIAL CONTAINED>

- ELV 及び RoHS 適合品。
ELV AND RoHS COMPLIANT.

6. THIS DRAWING IS RE-DRAWING OF SD-55909-004 REV.J

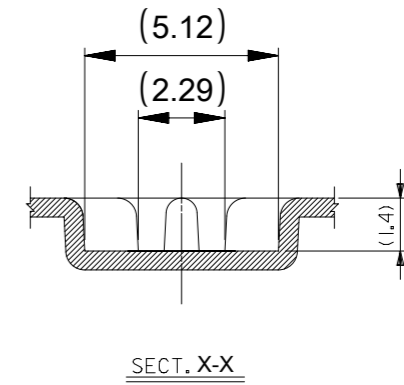
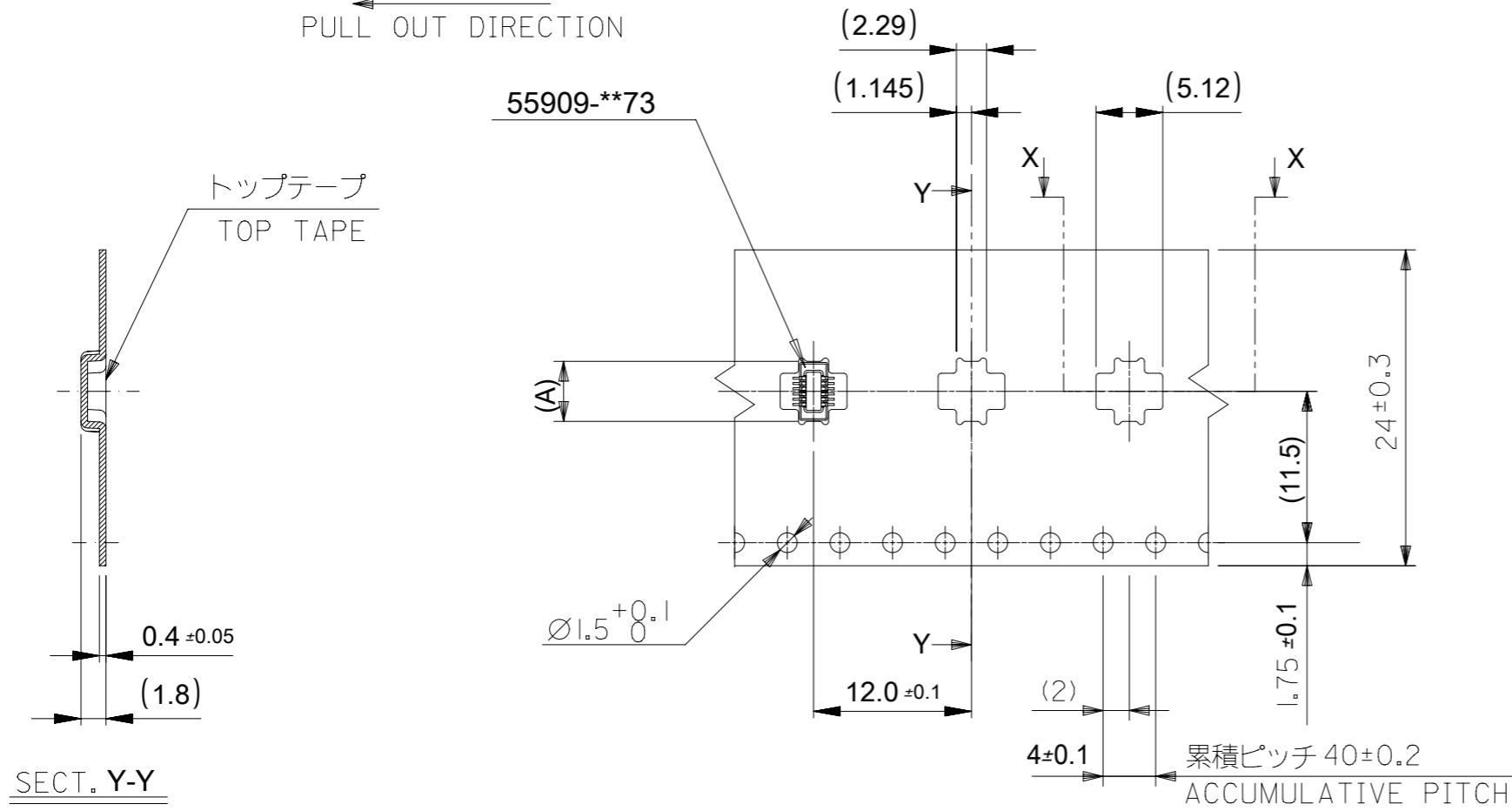


DETAIL D

CONNECTOR SERIES No. 55909-**73

THIS DRAWING CONTAINS INFORMATION THAT IS PROPRIETARY TO MOLEX ELECTRONIC TECHNOLOGIES, LLC AND SHOULD NOT BE USED WITHOUT WRITTEN PERMISSION		CURRENT REV DESC:		molex		
DIMENSION UNITS	SCALE					
mm	NTS			PRODUCT CUSTOMER DRAWING		
GENERAL TOLERANCES (UNLESS SPECIFIED)		EC NO: 638555		DOCUMENT NUMBER		
ANGULAR TOL ± 1.0°		DRWN: BKBAE 2020/05/15		559090074		
4 PLACES ± 0.1		CHK'D: SHCHU 2020/05/29		DOC TYPE DOC PART REVISION		
3 PLACES ± 0.1		APPR: SHCHU 2020/06/01		PSD 000 B		
2 PLACES ± 0.1		INITIAL REVISION:		MATERIAL NUMBER		
1 PLACE ± 0.1		DRWN: JHCHANG 2017/11/13		55909		
0 PLACES ± 0.1		APPR: YSKIM02 2018/10/09		CUSTOMER		
DRAFT WHERE APPLICABLE MUST REMAIN WITHIN DIMENSIONS		THIRD ANGLE PROJECTION	DRAWING	SERIES	MATERIAL NUMBER	SHEET NUMBER
			A3-SIZE	55909	SEE CHART	1 OF 5

引き出し方向
PULL OUT DIRECTION



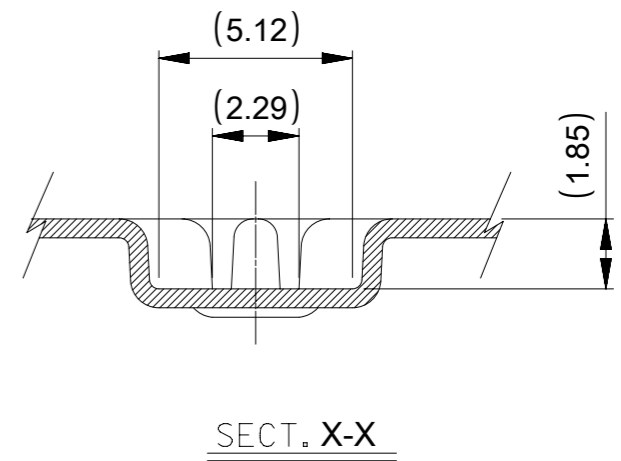
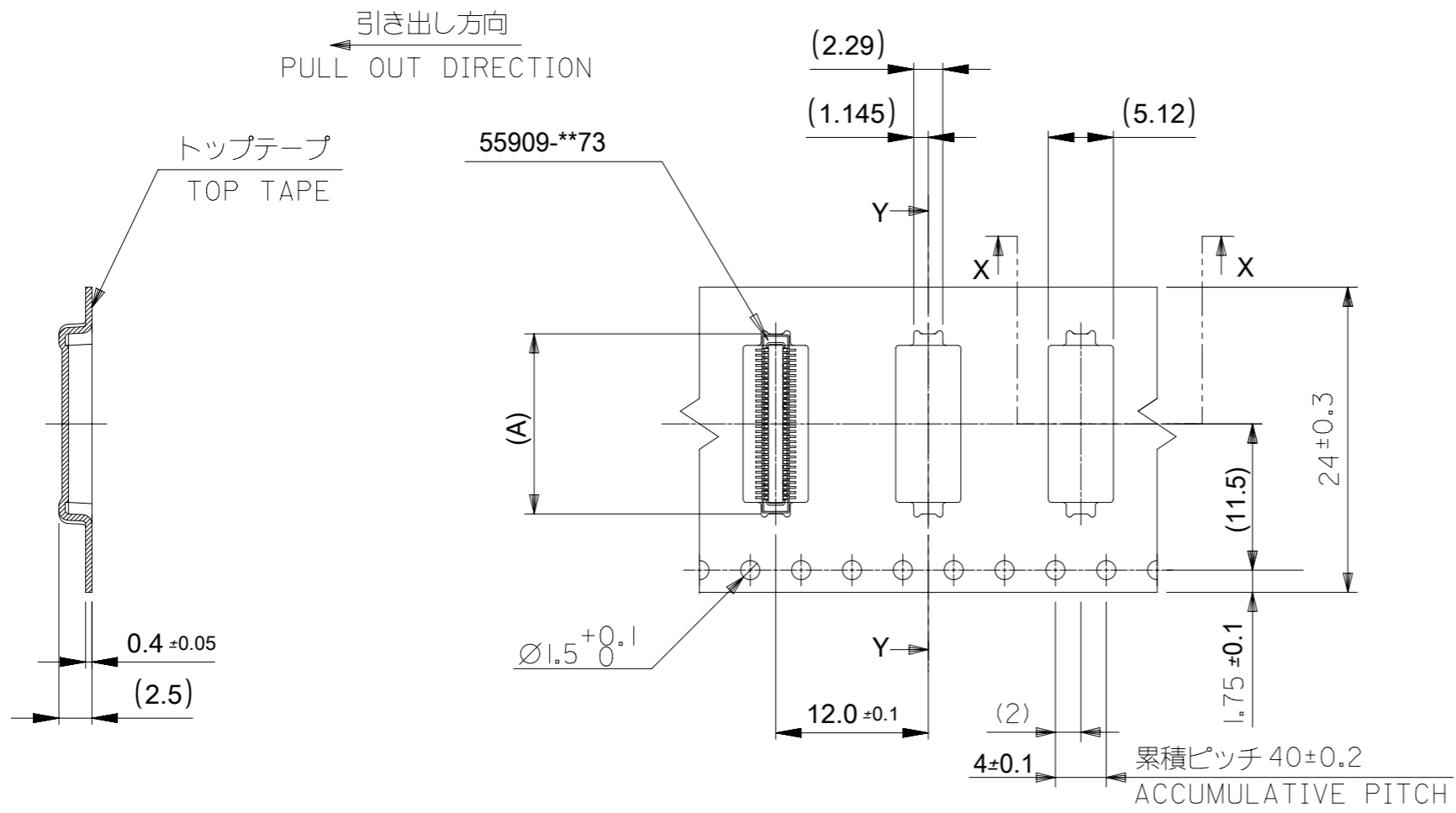
SECT. Y-Y

注記)製品がポケット内に問題なく収まること。
NOTE. Pocket should contain product smoothly.

24	29.4	25.4	5.36	55909-1674	16
			4.56	55909-9974	12
			4.16	55909-9872	10
キャリアテープ幅 CARRIER TAPE WIDTH	C	B	(A)	MATERIAL NO.	CKT.

CONNECTOR SERIES No. 55909-**73

THIS DRAWING CONTAINS INFORMATION THAT IS PROPRIETARY TO MOLEX ELECTRONIC TECHNOLOGIES, LLC AND SHOULD NOT BE USED WITHOUT WRITTEN PERMISSION		CURRENT REV DESC:		molex		
DIMENSION UNITS	SCALE					
mm	NTS			0.4 B-TO-B CONN. H = 1.5 / 1.8 J-BEND PLUG		
GENERAL TOLERANCES (UNLESS SPECIFIED)				PRODUCT CUSTOMER DRAWING		
ANGULAR TOL	± 1.0 °			DOCUMENT NUMBER		
4 PLACES	± 0.1	EC NO: 638555		559090074		
3 PLACES	± 0.1	DRWN: BKBAE 2020/05/15		DOC TYPE		
2 PLACES	± 0.1	CHK'D: SHCHU 2020/05/29		PSD		
1 PLACE	± 0.1	APPR: SHCHU 2020/06/01		DOC PART		
0 PLACES	± 0.1	INITIAL REVISION:		000		
DRAFT WHERE APPLICABLE MUST REMAIN WITHIN DIMENSIONS		DRWN: JHCHANG 2017/11/13		REVISION		
THIRD ANGLE PROJECTION		APPR: YSKIM02 2018/10/09		B		
DRAWING		SERIES		SHEET NUMBER		
A3-SIZE		55909		2 OF 5		
MATERIAL NUMBER		CUSTOMER				
SEE CHART		GENERAL				



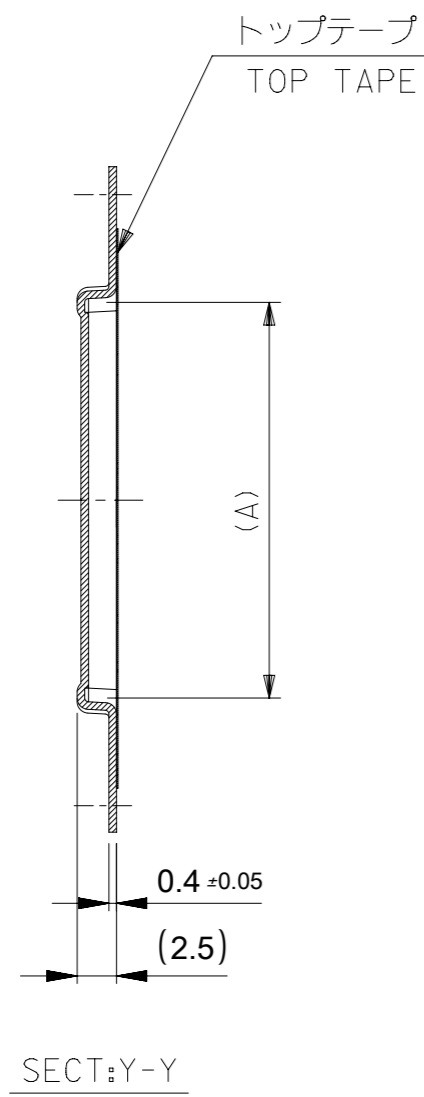
SECT. Y-Y

注記)製品がポケット内に問題なく収まること。
NOTE. Pocket should contain product smoothly.

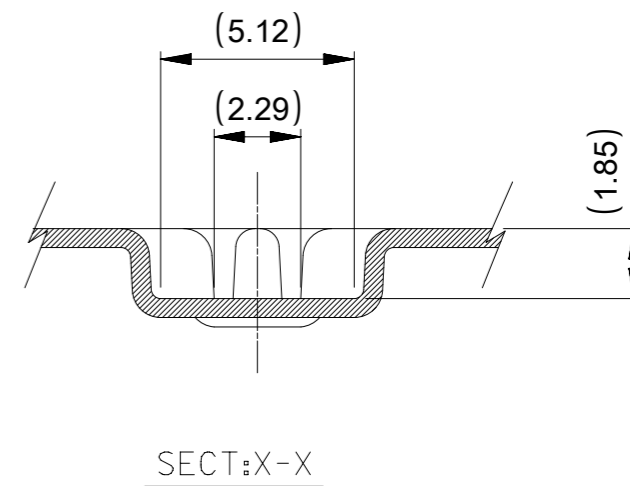
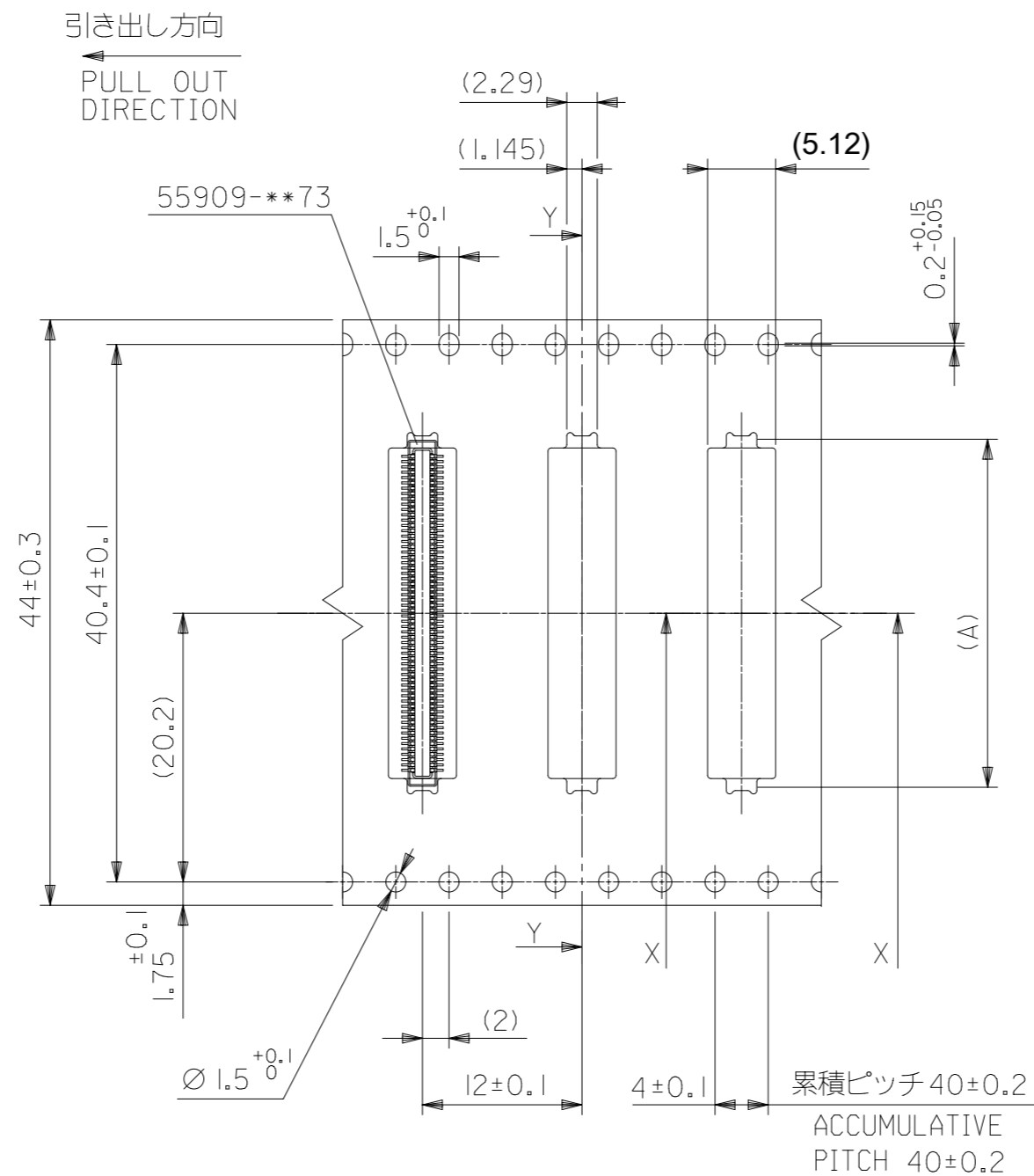
24	29.4	25.4	14.96	55909-6472	64		
			14.16	55909-0674	60		
			12.96	55909-5472	54		
			12.16	55909-0574	50		
			10.96	55909-4472	44		
			10.16	55909-0474	40		
			8.96	55909-3474	34		
			8.16	55909-0374	30		
			7.36	55909-2674	26		
			6.96	55909-2474	24		
			6.56	55909-2274	22		
6.16	55909-0274	20					
キャリアテープ幅 CARRIER TAPE WIDTH			C	B	(A)	MATERIAL NO.	CKT.

CONNECTOR SERIES No. 55909-**73

THIS DRAWING CONTAINS INFORMATION THAT IS PROPRIETARY TO MOLEX ELECTRONIC TECHNOLOGIES, LLC AND SHOULD NOT BE USED WITHOUT WRITTEN PERMISSION		CURRENT REV DESC:		molex	
DIMENSION UNITS	SCALE				
mm	NTS			0.4 B-TO-B CONN. H = 1.5 / 1.8 J-BEND PLUG	
GENERAL TOLERANCES (UNLESS SPECIFIED)				PRODUCT CUSTOMER DRAWING	
ANGULAR TOL	± 1.0 °			DOCUMENT NUMBER	
4 PLACES	± 0.1	EC NO: 638555		559090074	
3 PLACES	± 0.1	DRWN: BKBAE 2020/05/15		DOC TYPE	DOC PART
2 PLACES	± 0.1	CHK'D: SHCHU 2020/05/29		PSD	000
1 PLACE	± 0.1	APPR: SHCHU 2020/06/01		REVISION	B
0 PLACES	± 0.1	INITIAL REVISION:			
DRAFT WHERE APPLICABLE MUST REMAIN WITHIN DIMENSIONS		THIRD ANGLE PROJECTION	DRAWING	SERIES	MATERIAL NUMBER
			A3-SIZE	55909	SEE CHART
				CUSTOMER	SHEET NUMBER
				GENERAL	3 OF 5



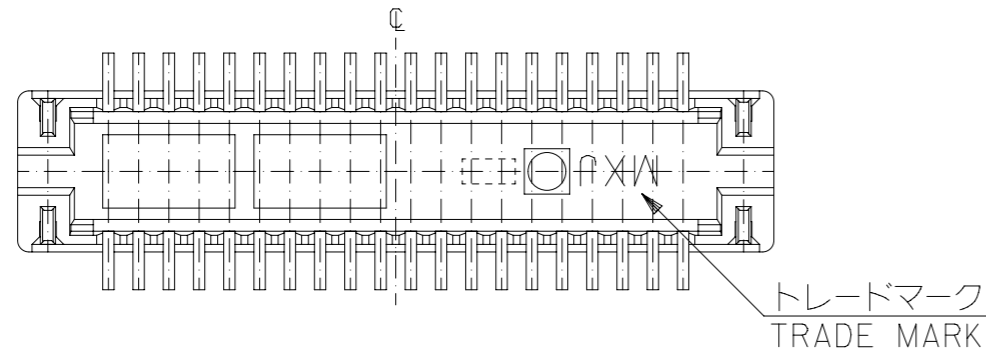
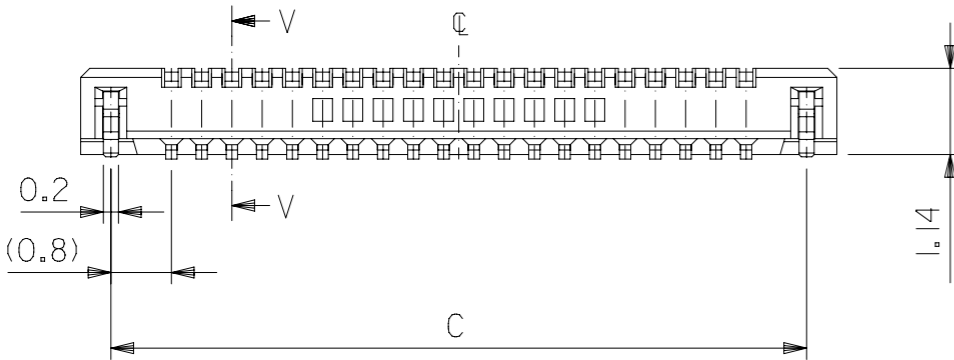
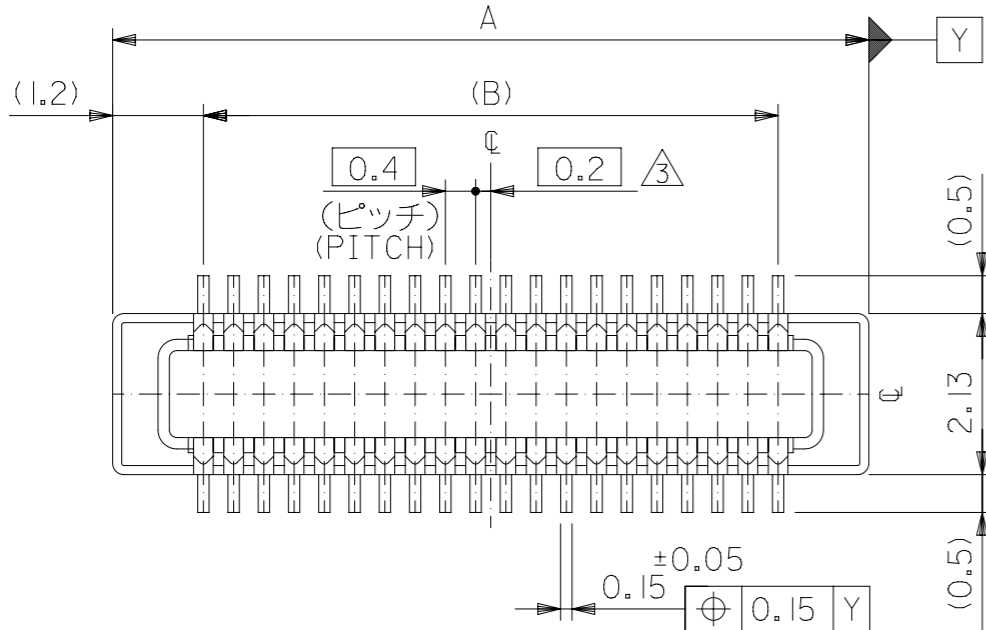
44mm幅キャリアテープ
44mm WIDTH CARRIER TAPE



注記)製品がポケット内に問題なく収まること。
NOTE. Pocket should contain product smoothly.

44	49.4	45.4	22.16	55909-1074	100
キャリアテープ幅 CARRIER TAPE WIDTH	C	B	(A)	MATERIAL NO.	極数 CKT.
CONNECTOR SERIES No.55909-***73					

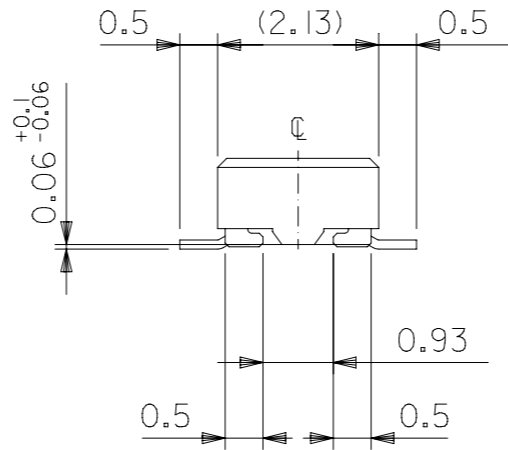
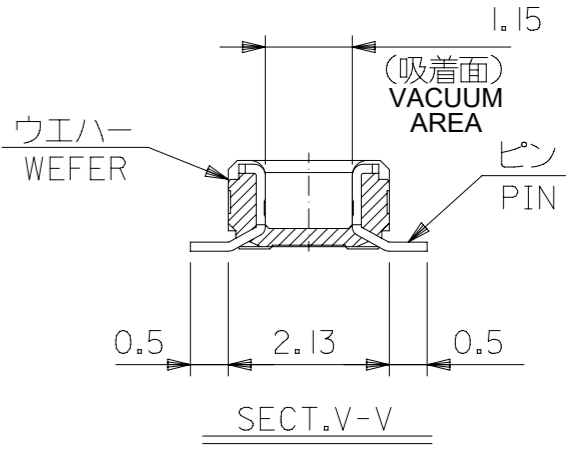
THIS DRAWING CONTAINS INFORMATION THAT IS PROPRIETARY TO MOLEX ELECTRONIC TECHNOLOGIES, LLC AND SHOULD NOT BE USED WITHOUT WRITTEN PERMISSION					
DIMENSION UNITS	SCALE	CURRENT REV DESC:			
mm	NTS	<div style="text-align: center; font-size: 24pt; font-weight: bold;">molex</div> <p>0.4 B-TO-B CONN. H = 1.5 / 1.8 J-BEND PLUG</p> <p>PRODUCT CUSTOMER DRAWING</p>			
GENERAL TOLERANCES (UNLESS SPECIFIED)					
ANGULAR TOL	± 1.0 °				
4 PLACES	± 0.1				
3 PLACES	± 0.1				
2 PLACES	± 0.1				
1 PLACE	± 0.1	EC NO: 638555	2020/05/15	DRWN: BKBAE	2020/05/29
0 PLACES	± 0.1	CHK'D: SHCHU	2020/06/01	APPR: SHCHU	2020/06/01
DRAFT WHERE APPLICABLE MUST REMAIN WITHIN DIMENSIONS		INITIAL REVISION:	DOCUMENT NUMBER		DOC TYPE
THIRD ANGLE PROJECTION		DRWN: JHCHANG	2017/11/13	559090074	PSD
DRAWING		APPR: YSKIM02	2018/10/09	000	B
A3-SIZE		SERIES	MATERIAL NUMBER	CUSTOMER	SHEET NUMBER
55909		55909	SEE CHART	GENERAL	5 OF 5



注記 NOTES:

1. 使用材料 MATERIAL
 ウエハー：液晶ポリマー (LCP) ガラス充填 UL94V-0 (黒)
 WAFER: LIQUID CRYSTAL POLYMER (GLASS FILLED)
 UL94V-0 (COLOR:BLACK)
 ピン：黄銅 (t=0.12)
 PIN: BRASS (t=0.12)
 金具：リン青銅 (t=0.2)
 FITTING NAIL: PHOSPHOR BRONZE (t=0.2)
2. メッキ仕様 PLATING
 ピン PIN
 金メッキ 0.2 マイクロメートル以上 (コンタクト部)
 GOLD 0.2MICROMETER MINIMUM (CONTACT AREA)
 金メッキ 0.4 マイクロメートル以下 (テール部)
 GOLD 0.4MICROMETER MAXIMUM (TAIL AREA)
 下地メッキ：ニッケルメッキ 1.5 マイクロメートル以上
 UNDER PLATING : NICKEL 1.5MICROMETER MINIMUM
 金具 FITTING NAIL
 錫メッキ 1.0 マイクロメートル以上
 TIN PLATING 1.0MICROMETER MINIMUM
 下地メッキ：ニッケルメッキ 1.0 マイクロメートル以上
 UNDER PLATING : NICKEL 1.0MICROMETER MINIMUM

3. (全極数/2) = 偶数の場合に適用。
 APPLY FOR (CIRCUIT/2)=EVEN.
4. 嵌合相手 :51338シリーズ (嵌合高さ = 1.5mm) 及び
 500913シリーズ (嵌合高さ = 1.8mm)
 MATE WITH : 51338 SERIES (HEIGHT = 1.5mm) AND
 500913 SERIES (HEIGHT = 1.8mm)
5. テール平坦度は、0.08以下
 テール及び金具の平坦度は、0.1以下
 TAIL COPLANARITY TO BE 0.08MAXIMUM
 TAIL AND FITTING NAIL
 COPLANARITY TO BE 0.1 MAXIMUM
6. 本製品は 55909-***3 の鉛フリー品である。
 THIS PRODUCT IS LEAD FREE OF 55909-***3



21.2	19.6	22.0	55909-1074	100
19.2	17.6	20.0	55909-0974	90
17.2	15.6	18.0	55909-0874	80
15.2	13.6	16.0	55909-0774	70
14.0	12.4	14.8	55909-6472	64
13.2	11.6	14.0	55909-0674	60
12.0	10.4	12.8	55909-5472	54
11.2	9.6	12.0	55909-0574	50
10.0	8.4	10.8	55909-4472	44
9.2	7.6	10.0	55909-0474	40
8.0	6.4	8.8	55909-3474	34
7.2	5.6	8.0	55909-0374	30
6.4	4.8	7.2	55909-2674	26
6.0	4.4	6.8	55909-2474	24
5.6	4.0	6.4	55909-2274	22
5.2	3.6	6.0	55909-0274	20
4.4	2.8	5.2	55909-1674	16
3.6	2.0	4.4	55909-9974	12
3.2	1.6	4.0	55909-9872	10
C	B	A	EMBOSSED TAPE PKG.	CKT.
CONNECTOR SERIES NO.			ORDER No. オーダー番号	
			55909-***73	

GENERAL TOLERANCES (UNLESS SPECIFIED)		
10 ^{UNDER}	±0.2	
10 ^{OVER} 30 ^{UNDER}	±0.25	
30 ^{OVER}	±0.3	

THIS DRAWING CONTAINS INFORMATION THAT IS PROPRIETARY TO MOLEX ELECTRONIC TECHNOLOGIES, LLC AND SHOULD NOT BE USED WITHOUT WRITTEN PERMISSION

mm NTS

GENERAL TOLERANCES (UNLESS SPECIFIED)

ANGULAR TOL ± 3.0°

4 PLACES ±

3 PLACES ±

2 PLACES ±

1 PLACE ±

0 PLACES ±

DRAFT WHERE APPLICABLE MUST REMAIN WITHIN DIMENSIONS

THIRD ANGLE PROJECTION

DRAWING A3-SIZE

SERIES 55909

MATERIAL NUMBER SEE TABLE

CUSTOMER GENERAL MARKET

SHEET NUMBER 1 OF 2

EC NO: 739909
 DRWN: RAJMOK 2023/02/21
 CHK'D: HSHIMOYAMA 2023/02/23
 APPR: YNAITO 2023/02/23

INITIAL REVISION:
 DRWN: HSHIMABUKURO 2004/03/31
 APPR: MSASAO 2004/04/02

0.4 B-TO-B CONN. H = 1.5 / 1.8 J-BEND PLUG

PRODUCT CUSTOMER DRAWING

DOCUMENT NUMBER SD-55909-003

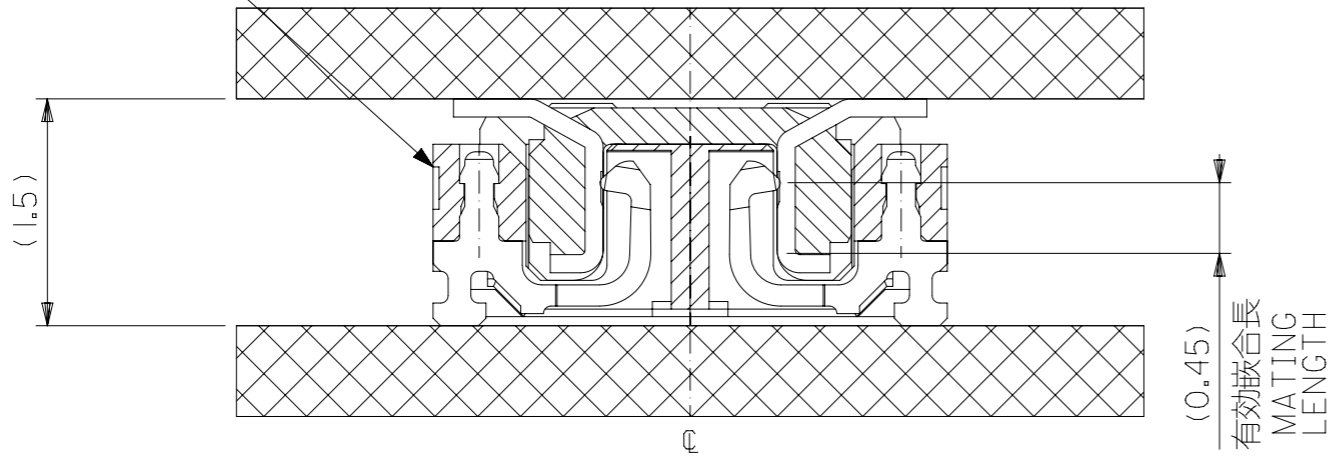
DOC TYPE PSD

DOC PART 001

REVISION J

MATE : 55909 WITH 51338

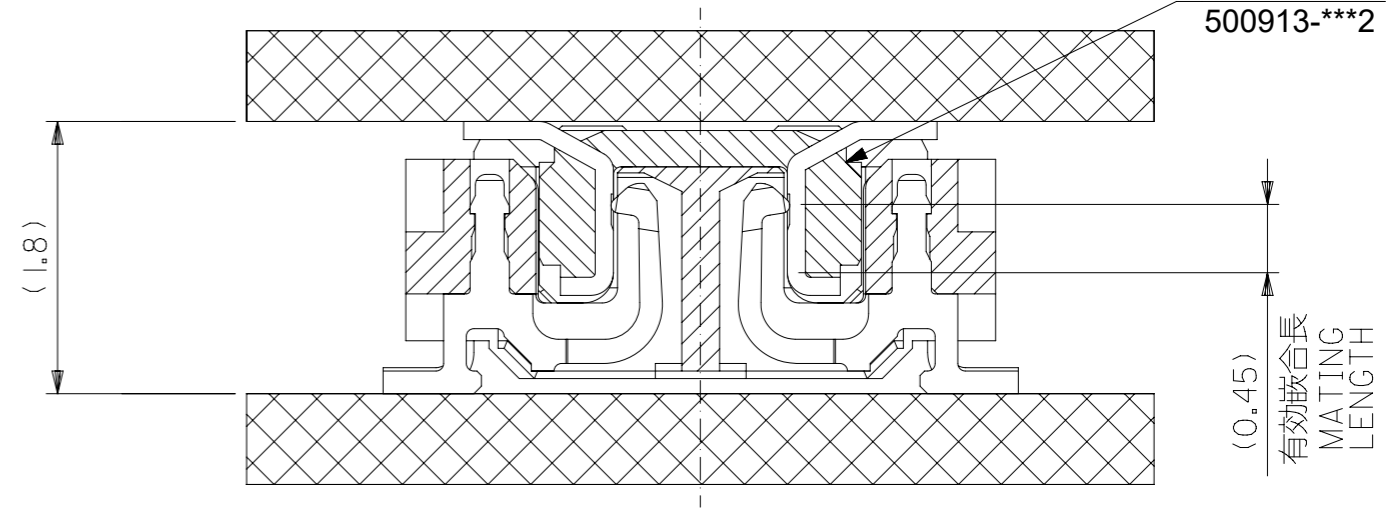
嵌合相手
MATE WITH
51338-****



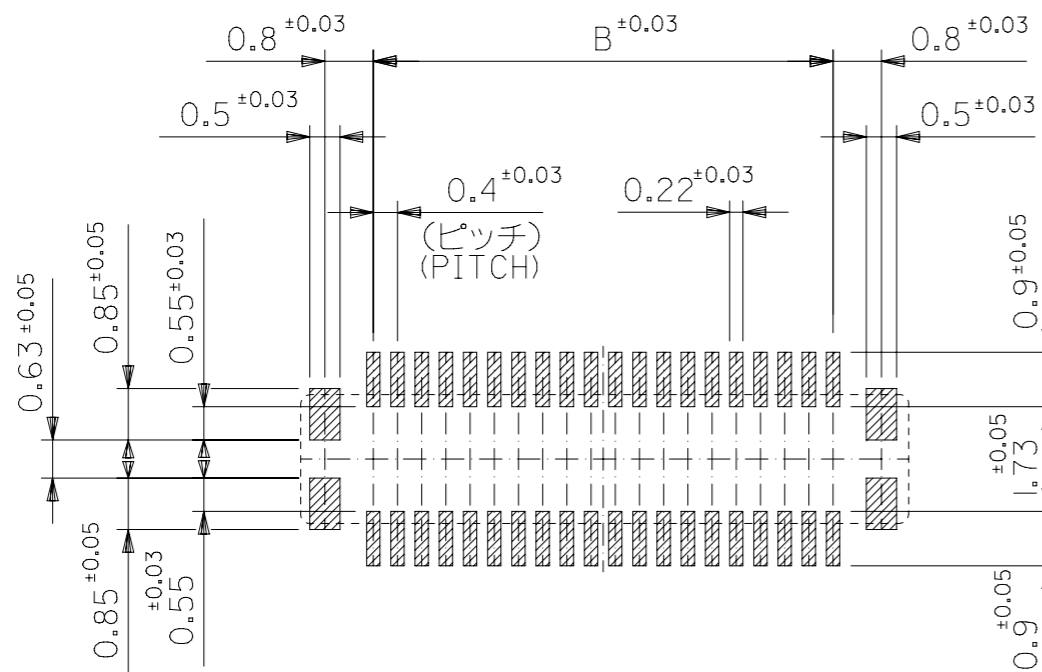
嵌合断面図 (参考)
MATED DRAWING (REFERENCE)

MATE : 55909 WITH 500913

嵌合相手
MATE WITH
500913-***2



嵌合断面図 (参考)
MATED DRAWING (REFERENCE)



参考基板レイアウト (マウント面)
P.C. BOARD PATTERN DIMENSION.
(REFERENCE)
(MOUNTING AREA)

GENERAL TOLERANCES (UNLESS SPECIFIED)

10 ^{UNDER}	±0.2
10 ^{OVER} 30 ^{UNDER}	±0.25
30 ^{OVER}	±0.3

THIS DRAWING CONTAINS INFORMATION THAT IS PROPRIETARY TO MOLEX ELECTRONIC TECHNOLOGIES, LLC AND SHOULD NOT BE USED WITHOUT WRITTEN PERMISSION		CURRENT REV DESC:		molex	
DIMENSION UNITS	SCALE				
mm	NTS			0.4 B-TO-B CONN. H = 1.5 / 1.8 J-BEND PLUG	
GENERAL TOLERANCES (UNLESS SPECIFIED)				PRODUCT CUSTOMER DRAWING	
ANGULAR TOL ± 3.0°				DOCUMENT NUMBER	
4 PLACES ±		EC NO: 739909		SD-55909-003	
3 PLACES ±		DRWN: RAJMOK		DOC TYPE	
2 PLACES ±		CHK'D: HSHIMOYAMA		PSD	
1 PLACE ±		APPR: YNAITO		DOC PART	
0 PLACES ±		INITIAL REVISION:		001	
DRAFT WHERE APPLICABLE MUST REMAIN WITHIN DIMENSIONS		DRWN: HSHIMABUKURO		REVISION	
THIRD ANGLE PROJECTION		APPR: MSASAO		J	
DRAWING		SERIES		SHEET NUMBER	
A3-SIZE		55909		2 OF 2	
MATERIAL NUMBER		CUSTOMER			
SEE SHEET-1		GENERAL MARKET			

多部分行业合规性文件

- IPC 1752A Class C
- IPC 1752A Class D
- Molex Product Compliance Declaration
- IEC-62474
- chemSHERPA (xml)

欧盟 RoHS 合格证书

产品详情

常规

状态	活动
类别	Board-to-Board Connectors
系列	55909
说明	SlimStack Board-to-Board Plug, 0.40mm Pitch, J-Bend Series, 0.20µm Gold (Au) Plating, 1.50 or 1.80mm Mated Height, 3.40 or 4.20mm Mated Width, 20 Circuits
产品系列	0.4, J-Bend
应用	Board-to-Board, Signal
个评论	Solder Tab Plating: Tin
元件类型	PCB Header
产品系列	SlimStack Board-to-Board/Board-to-FPC Connectors
产品名称	SlimStack
UPC	822348176045

电气

每触点最大电流	0.3A
电压 - 最大	50V AC (RMS)/DC

物理

断开	否
回路数 (已载入)	20
电路数 (最多)	20
颜色-树脂	黑色
耐用性(插拔次数) - 最多次数	30
符合灼热丝规范	否

锁定插接部位	是
插配长度	1.50mm, 1.80mm
插配宽度	3.40mm, 4.20mm
材料 - 金属	Brass
材料 - 接合部位电镀	金牌
材料 - 终端电镀	金牌
净重	23.630/mg
行数	2
方向	垂直
包装形式	Embossed Tape on Reel
PCB 定位器	否
PCB 保持力	是
间距 - 插配接口	0.40mm
间距 - 终端界面	0.40mm
最薄镀层 - 接合部位	0.200µm
运行温度范围	-40° to +105° C
终端界面类型	Surface Mount

可配插/可连接使用的产品

可配插部件

描述	产品编号
0.40mm Pitch Vertical SlimStack Receptacles	<u>51338</u>