



产品编号 : 559092474

Product Description : SlimStack Board-to-Board Plug, 0.40mm Pitch, J-Bend Series, 0.20µm Gold (Au) Plating, 1.50 or 1.80mm Mated Height, 3.40 or 4.20mm Mated Width, 24 Circuits

系列号 : 55909

状态 : Active

Product Category : Board-to-Board Connectors

文件和资源

图纸

图纸 559092474_sd.pdf

3D 模型和设计文件

2D 图纸 DXF 559092474.dxf

2D 图纸 DXF PDF 559092474.pdf

3D模型 559092474_stp.zip

规格


包装规格 SPK-55909-001-001.pdf

产品规格 PS-500913-001-001.pdf

产品规格 PS-51338-002-001.pdf

产物环境合规

合规

GADSL/IMDS	Not Relevant
China RoHS	
EU ELV	Not Relevant
Low-Halogen Status	Low-Halogen per IEC 61249-2-21
REACH SVHC	Not Contained per D(2023)8585-DC (23 Jan 2024)
EU RoHS	Compliant per EU 2015/863

多部分产品合规性声明

- Eu RoHS
- REACH SVHC
- Low-Halogen
- IPC 1752A Class C

- IPC 1752A Class D
- Molex Product Compliance Declaration
- IEC-62474
- chemSHERPA (xml)

欧盟 RoHS 合格证书

产品详情

常规

状态	活动
类别	Board-to-Board Connectors
系列	55909
说明	SlimStack Board-to-Board Plug, 0.40mm Pitch, J-Bend Series, 0.20µm Gold (Au) Plating, 1.50 or 1.80mm Mated Height, 3.40 or 4.20mm Mated Width, 24 Circuits
产品系列	0.4, J-Bend
应用	Board-to-Board, Signal
个评论	Solder Tab Plating: Tin
元件类型	PCB Header
产品系列	SlimStack Board-to-Board/Board-to-FPC Connectors
产品名称	SlimStack
UPC	822348543892

电气

每触点最大电流	0.3A
电压 - 最大	50V AC (RMS)/DC

物理

断开	否
回路数 (已载入)	24
电路数 (最多)	24
颜色-树脂	黑色
耐用性(插拔次数) - 最多次数	30
符合灼热丝规范	否
锁定插接部位	是

插配长度	1.50mm, 1.80mm
插配宽度	3.40mm, 4.20mm
材料 - 金属	Brass
材料 - 接合部位电镀	金牌
材料 - 终端电镀	金牌
净重	26.610/mg
行数	2
方向	垂直
包装形式	Embossed Tape on Reel
PCB 定位器	否
PCB 保持力	是
间距 - 插配接口	0.40mm
间距 - 终端界面	0.40mm
运行温度范围	-40° to +105° C
终端界面类型	Surface Mount

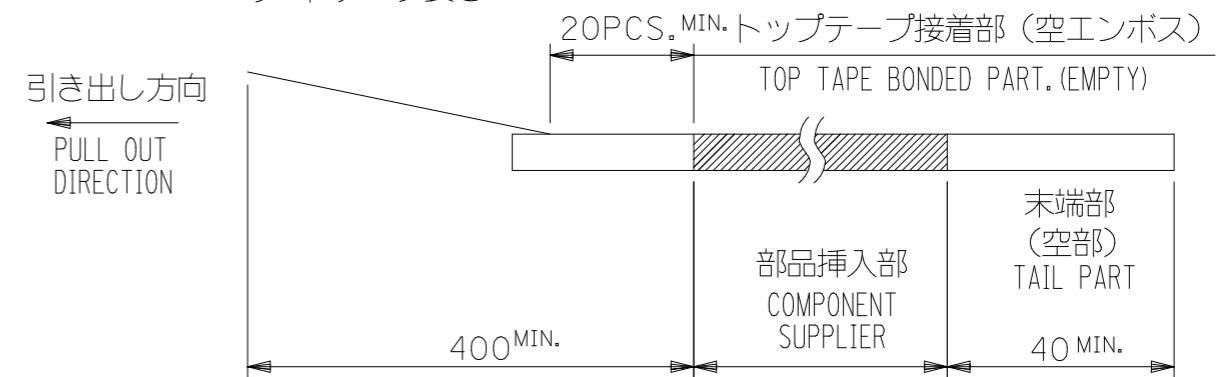
可配插/可连接使用的产品

可配插部件

描述	产品编号
0.40mm Pitch SlimStack Board-to-Board Receptacles	<u>500913</u>
0.40mm Pitch Vertical SlimStack Receptacles	<u>51338</u>

NOTES

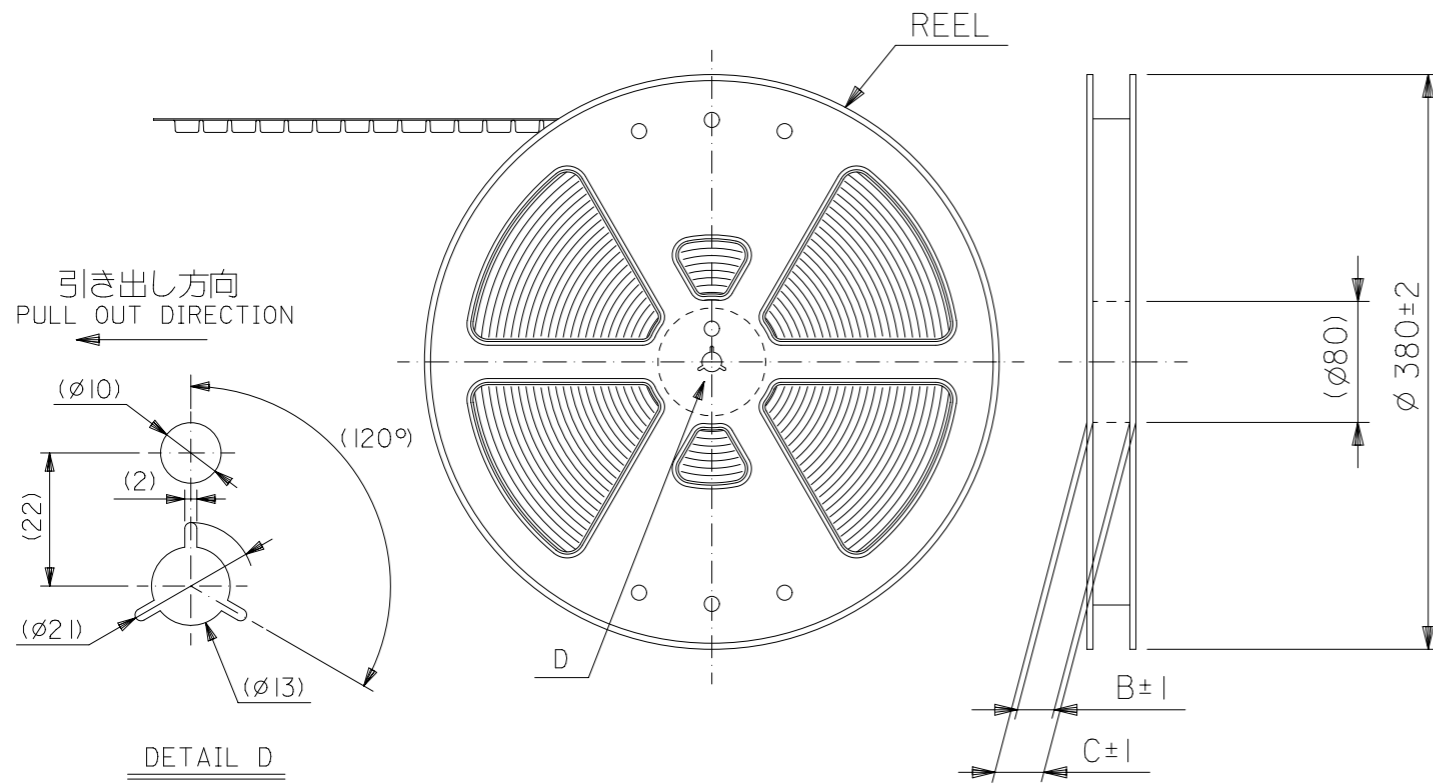
- 製品詳細寸法については製品単体図面を参照下さい。
DETAIL DIMENSIONS, SEE PRODUCT DRAWING.
- 梱包数量：2500個/リール
NUMBER OF CONNECTORS : 2500PCS/REEL
- リードテープ長さ LEAD TAPE LENGTH



- 材料 MATERIAL
キャリアテープ (CARRIER TAPE) : POLYSTYRENE (PS)
トップテープ (TOPTAPE) : PET
リール (REEL) : ポリスチレン (PS) <リサイクル材を含む>
POLYSTYRENE (PS) <RECYCLE MATERIAL CONTAINED>

- ELV 及び RoHS 適合品。
ELV AND RoHS COMPLIANT.

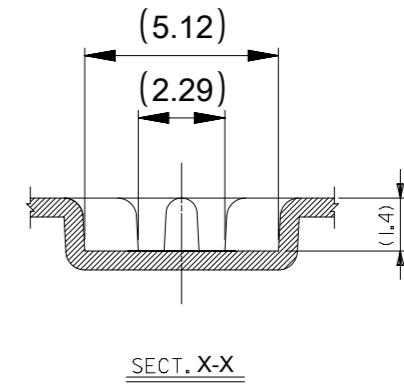
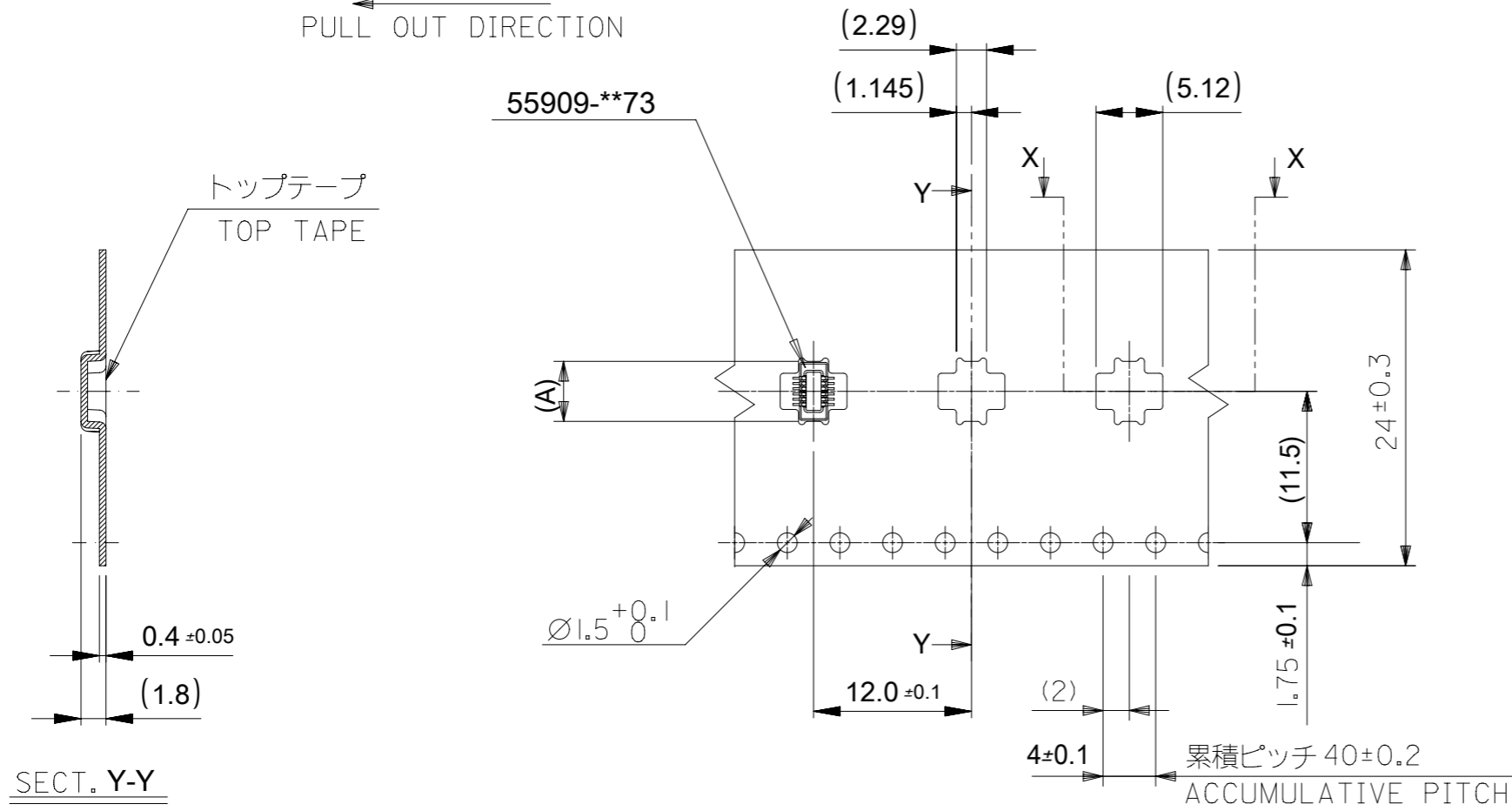
6. THIS DRAWING IS RE-DRAWING OF SD-55909-004 REV.J



CONNECTOR SERIES No. 55909-**73

THIS DRAWING CONTAINS INFORMATION THAT IS PROPRIETARY TO MOLEX ELECTRONIC TECHNOLOGIES, LLC AND SHOULD NOT BE USED WITHOUT WRITTEN PERMISSION		CURRENT REV DESC:		molex		
DIMENSION UNITS	SCALE					
mm	NTS			PRODUCT CUSTOMER DRAWING		
GENERAL TOLERANCES (UNLESS SPECIFIED)		EC NO: 638555		DOCUMENT NUMBER		
ANGULAR TOL ± 1.0°		DRWN: BKBAE 2020/05/15		559090074		
4 PLACES ± 0.1		CHK'D: SHCHU 2020/05/29		DOC TYPE DOC PART REVISION		
3 PLACES ± 0.1		APPR: SHCHU 2020/06/01		PSD 000 B		
2 PLACES ± 0.1		INITIAL REVISION:		MATERIAL NUMBER		
1 PLACE ± 0.1		DRWN: JHCHANG 2017/11/13		55909		
0 PLACES ± 0.1		APPR: YSKIM02 2018/10/09		CUSTOMER		
DRAFT WHERE APPLICABLE MUST REMAIN WITHIN DIMENSIONS		THIRD ANGLE PROJECTION	DRAWING	SERIES	MATERIAL NUMBER	SHEET NUMBER
			A3-SIZE	55909	SEE CHART	1 OF 5

引き出し方向
PULL OUT DIRECTION



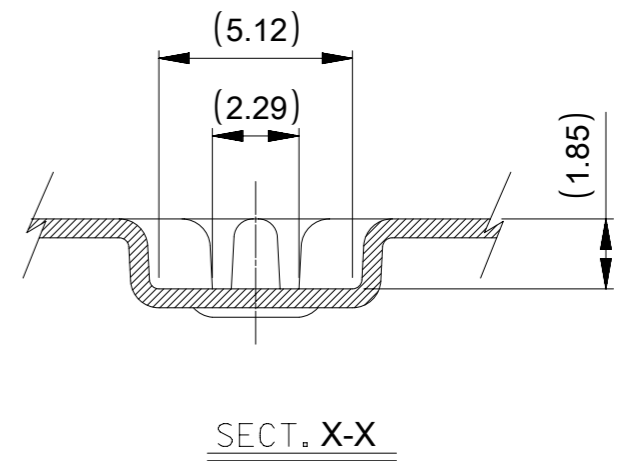
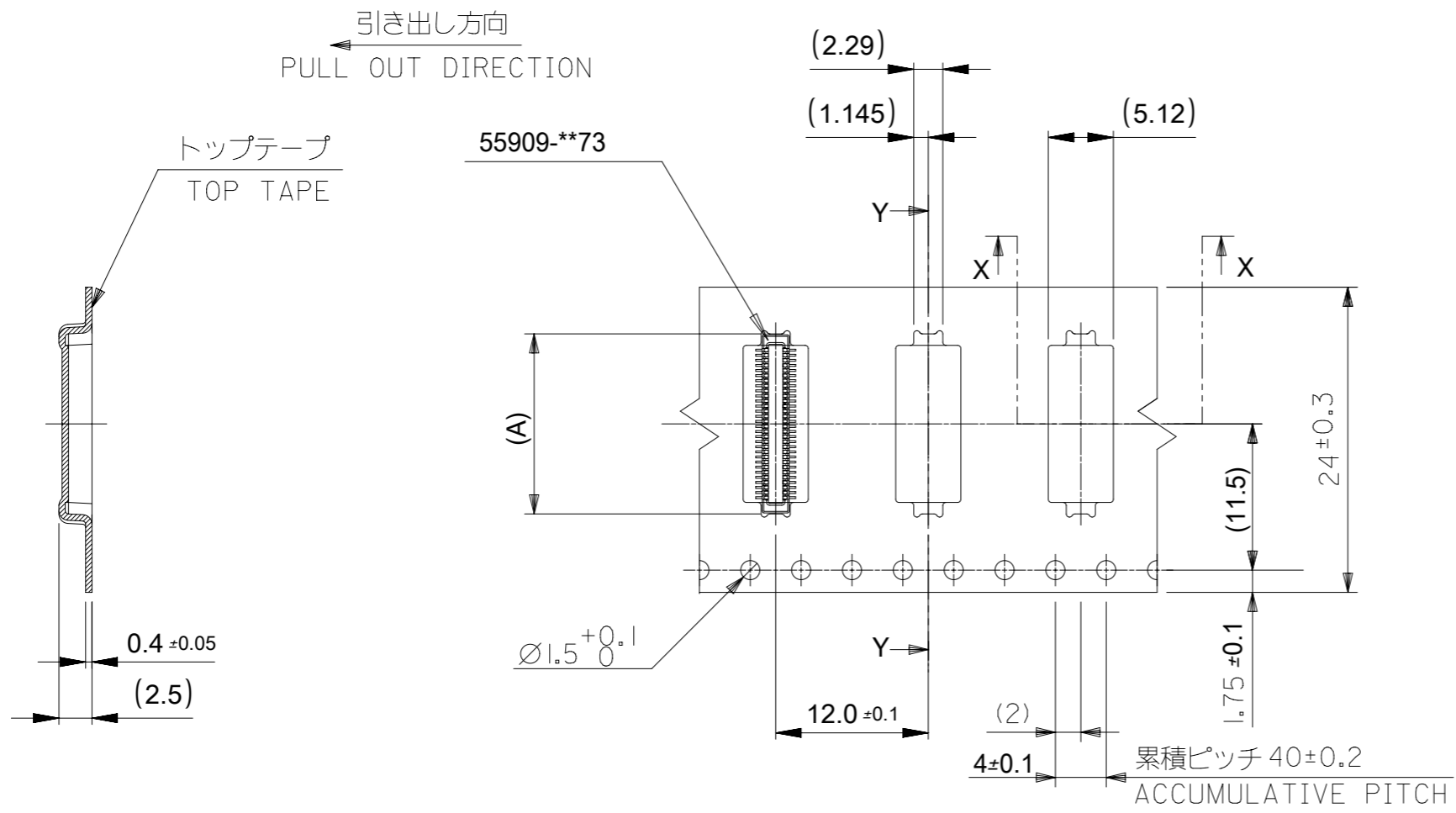
SECT. Y-Y

注記)製品がポケット内に問題なく収まること。
NOTE. Pocket should contain product smoothly.

24	29.4	25.4	5.36	55909-1674	16
			4.56	55909-9974	12
			4.16	55909-9872	10
キャリアテープ幅 CARRIER TAPE WIDTH	C	B	(A)	MATERIAL NO.	CKT.

CONNECTOR SERIES No. 55909-**73

THIS DRAWING CONTAINS INFORMATION THAT IS PROPRIETARY TO MOLEX ELECTRONIC TECHNOLOGIES, LLC AND SHOULD NOT BE USED WITHOUT WRITTEN PERMISSION		CURRENT REV DESC:		molex		
DIMENSION UNITS	SCALE					
mm	NTS			PRODUCT CUSTOMER DRAWING		
GENERAL TOLERANCES (UNLESS SPECIFIED)		EC NO: 638555		DOCUMENT NUMBER		
ANGULAR TOL ± 1.0°		DRWN: BKBAE 2020/05/15		559090074		
4 PLACES ± 0.1		CHK'D: SHCHU 2020/05/29		DOC TYPE DOC PART REVISION		
3 PLACES ± 0.1		APPR: SHCHU 2020/06/01		PSD 000 B		
2 PLACES ± 0.1		INITIAL REVISION:		MATERIAL NUMBER CUSTOMER SHEET NUMBER		
1 PLACE ± 0.1		DRWN: JHCHANG 2017/11/13		SEE CHART GENERAL 2 OF 5		
0 PLACES ± 0.1		APPR: YSKIM02 2018/10/09				
DRAFT WHERE APPLICABLE MUST REMAIN WITHIN DIMENSIONS		THIRD ANGLE PROJECTION	DRAWING	SERIES		
			A3-SIZE	55909		



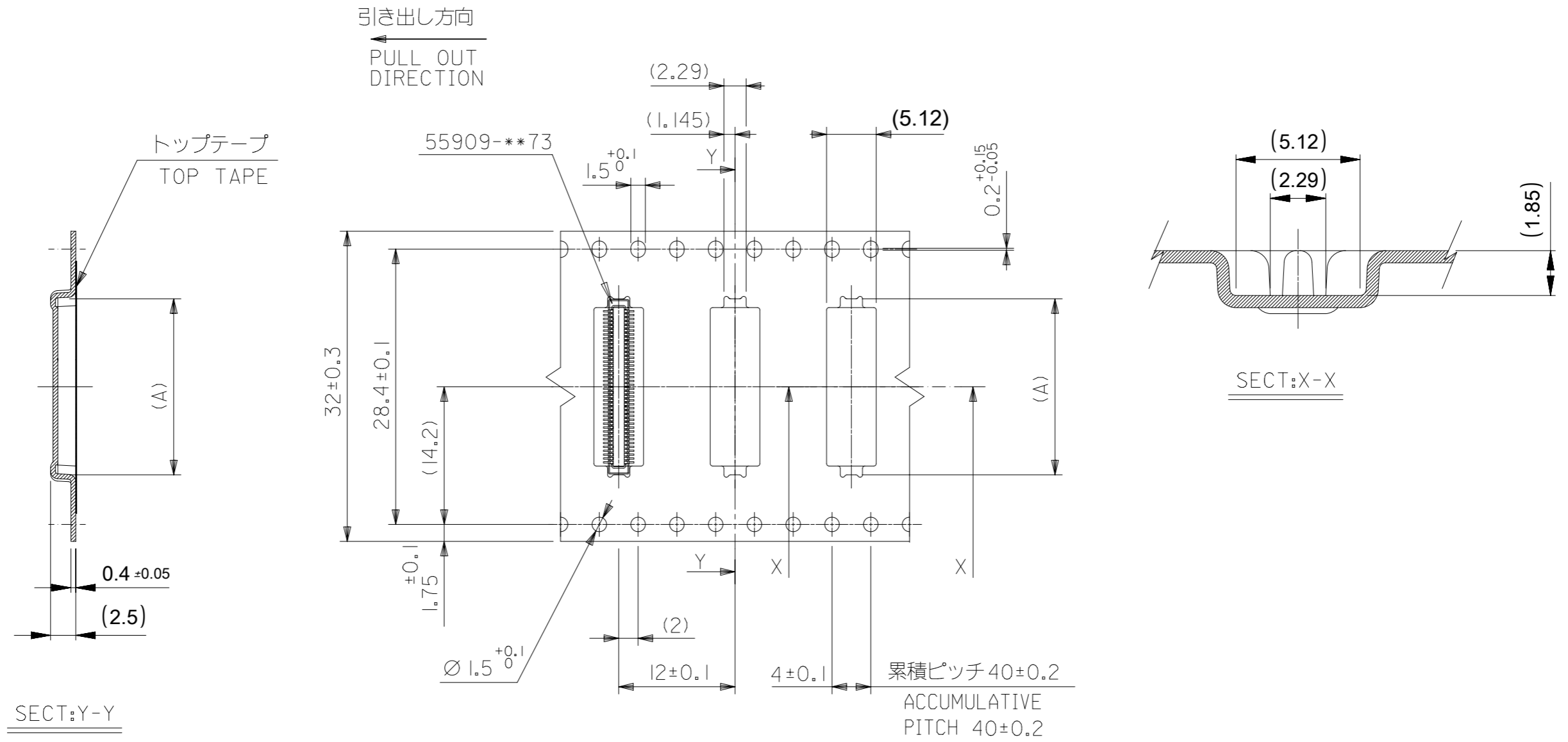
SECT. Y-Y

注記)製品がポケット内に問題なく収まること。
NOTE. Pocket should contain product smoothly.

24	29.4	25.4	14.96	55909-6472	64		
			14.16	55909-0674	60		
			12.96	55909-5472	54		
			12.16	55909-0574	50		
			10.96	55909-4472	44		
			10.16	55909-0474	40		
			8.96	55909-3474	34		
			8.16	55909-0374	30		
			7.36	55909-2674	26		
			6.96	55909-2474	24		
			6.56	55909-2274	22		
6.16	55909-0274	20					
キャリアテープ幅 CARRIER TAPE WIDTH			C	B	(A)	MATERIAL NO.	CKT.

CONNECTOR SERIES No. 55909-**73

THIS DRAWING CONTAINS INFORMATION THAT IS PROPRIETARY TO MOLEX ELECTRONIC TECHNOLOGIES, LLC AND SHOULD NOT BE USED WITHOUT WRITTEN PERMISSION		CURRENT REV DESC:		molex	
DIMENSION UNITS	SCALE				
mm	NTS			0.4 B-TO-B CONN. H = 1.5 / 1.8 J-BEND PLUG	
GENERAL TOLERANCES (UNLESS SPECIFIED)				PRODUCT CUSTOMER DRAWING	
ANGULAR TOL	± 1.0 °			DOCUMENT NUMBER	
4 PLACES	± 0.1	EC NO: 638555		559090074	
3 PLACES	± 0.1	DRWN: BKBAE 2020/05/15		DOC TYPE	
2 PLACES	± 0.1	CHK'D: SHCHU 2020/05/29		PSD	
1 PLACE	± 0.1	APPR: SHCHU 2020/06/01		DOC PART	
0 PLACES	± 0.1	INITIAL REVISION:		000	
DRAFT WHERE APPLICABLE MUST REMAIN WITHIN DIMENSIONS		DRWN: JHCHANG 2017/11/13		REVISION	
THIRD ANGLE PROJECTION		APPR: YSKIM02 2018/10/09		B	
DRAWING		SERIES		SHEET NUMBER	
A3-SIZE		55909		3 OF 5	
MATERIAL NUMBER		CUSTOMER			
SEE CHART		GENERAL			



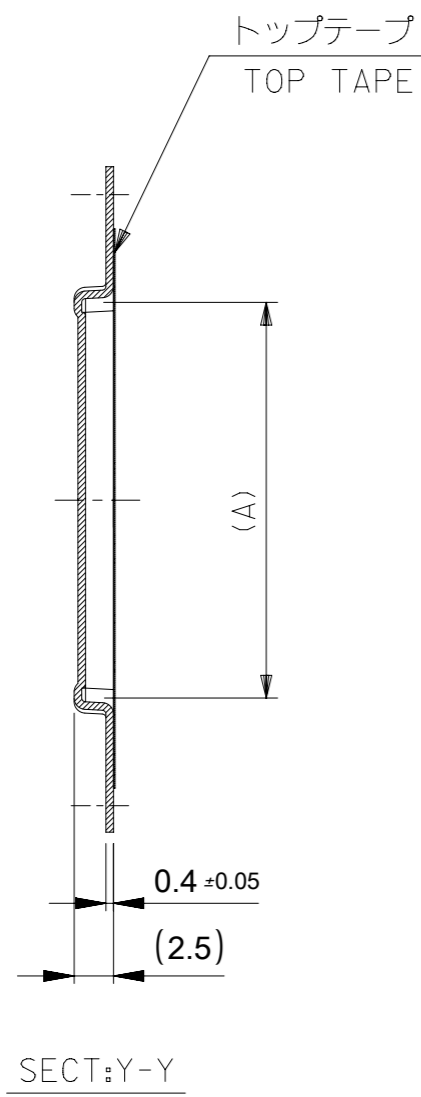
32mm幅キャリアテープ
32mm WIDTH CARRIER TAPE

注記)製品がポケット内に問題なく収まること。
NOTE. Pocket should contain product smoothly.

32	37.4	33.4	19.16	55909-0974	90
			18.16	55909-0874	80
			16.16	55909-0774	70
キャリアテープ幅 CARRIER TAPE WIDTH	C	B	(A)	MATERIAL NO.	極数 CKT.

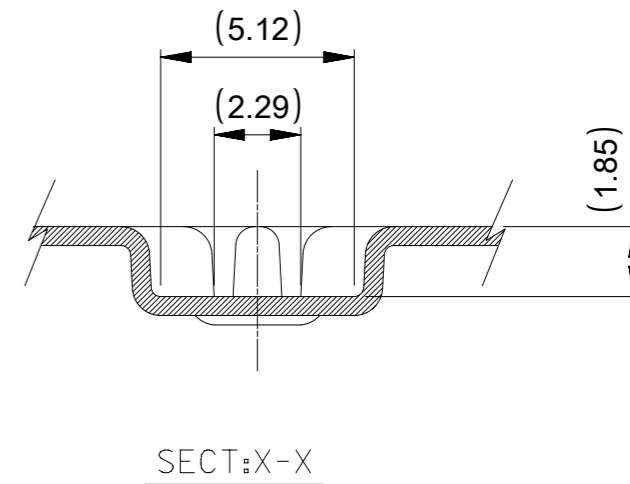
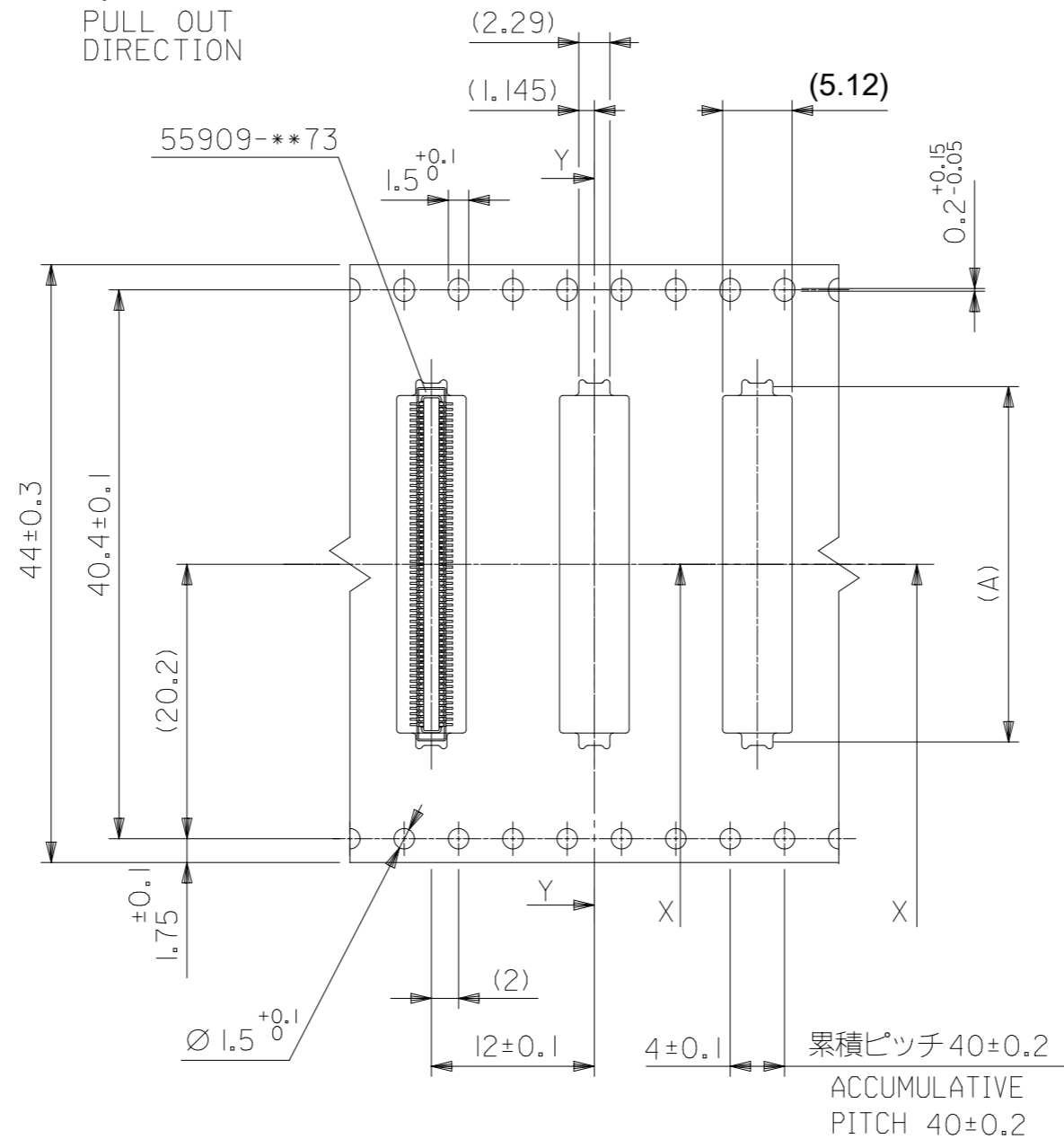
CONNECTOR SERIES No. 55909-***73

THIS DRAWING CONTAINS INFORMATION THAT IS PROPRIETARY TO MOLEX ELECTRONIC TECHNOLOGIES, LLC AND SHOULD NOT BE USED WITHOUT WRITTEN PERMISSION		CURRENT REV DESC:		molex		
DIMENSION UNITS mm	SCALE NTS					
GENERAL TOLERANCES (UNLESS SPECIFIED)				0.4 B-TO-B CONN. H = 1.5 / 1.8 J-BEND PLUG		
ANGULAR TOL ± 1.0°				PRODUCT CUSTOMER DRAWING		
4 PLACES ± 0.1	EC NO: 638555			DOCUMENT NUMBER		
3 PLACES ± 0.1	DRWN: BKBAE	2020/05/15		DOC TYPE DOC PART REVISION		
2 PLACES ± 0.1	CHK'D: SHCHU	2020/05/29		559090074		
1 PLACE ± 0.1	APPR: SHCHU	2020/06/01		PSD 000 B		
0 PLACES ± 0.1	INITIAL REVISION:			SHEET NUMBER		
DRAFT WHERE APPLICABLE MUST REMAIN WITHIN DIMENSIONS		THIRD ANGLE PROJECTION	DRAWING	SERIES	MATERIAL NUMBER	CUSTOMER
			A3-SIZE	55909	SEE CHART	GENERAL



44mm幅キャリアテープ
44mm WIDTH CARRIER TAPE

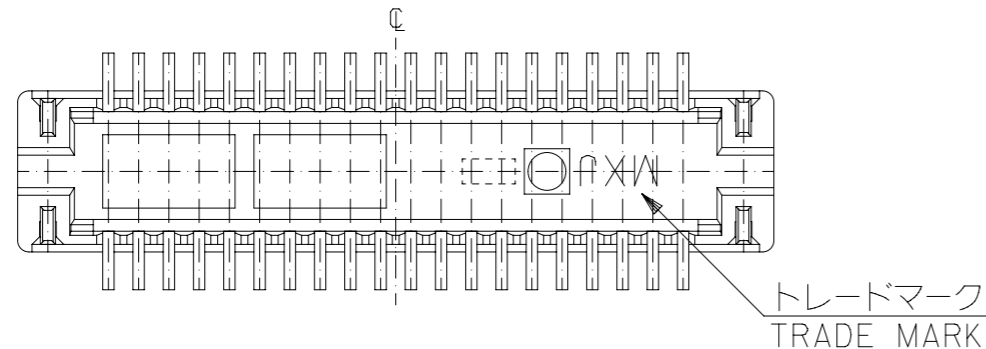
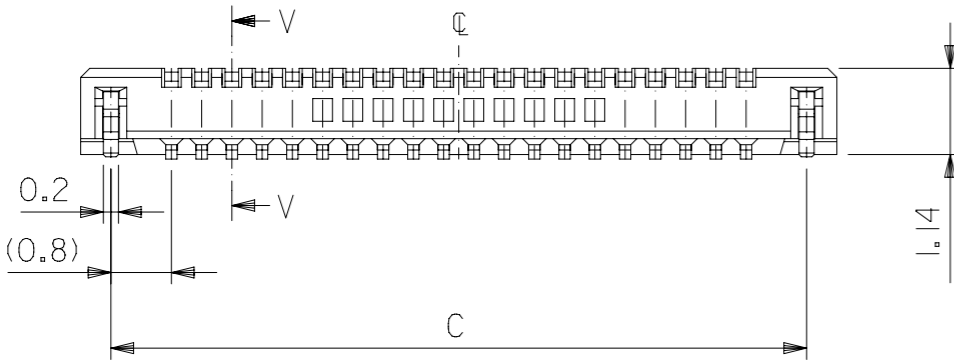
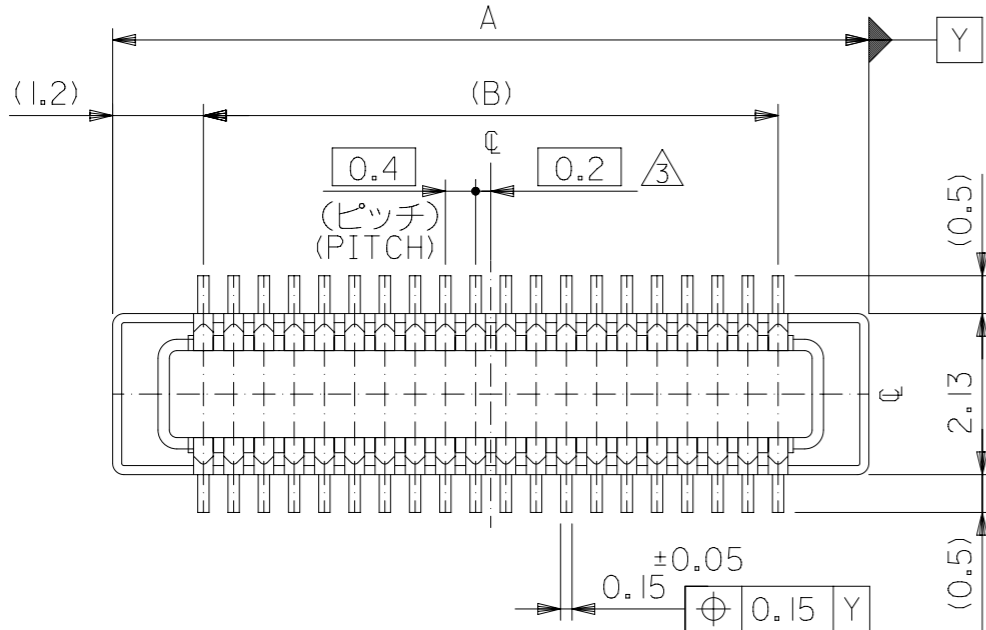
引き出し方向
PULL OUT
DIRECTION



注記)製品がポケット内に問題なく収まること。
NOTE: Pocket should contain product smoothly.

44	49.4	45.4	22.16	55909-1074	100
キャリアテープ幅 CARRIER TAPE WIDTH	C	B	(A)	MATERIAL NO.	極数 CKT.
CONNECTOR SERIES No.55909-***73					

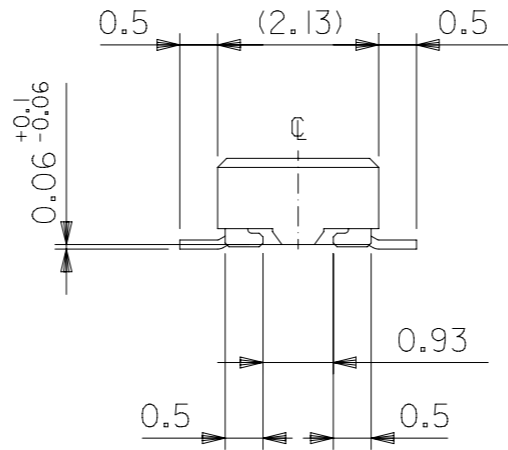
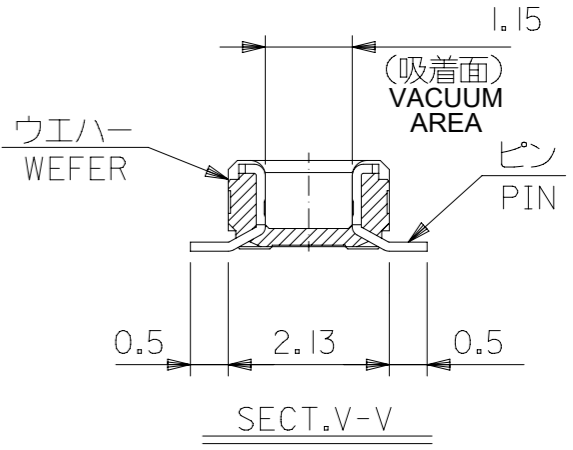
THIS DRAWING CONTAINS INFORMATION THAT IS PROPRIETARY TO MOLEX ELECTRONIC TECHNOLOGIES, LLC AND SHOULD NOT BE USED WITHOUT WRITTEN PERMISSION					
DIMENSION UNITS	SCALE	CURRENT REV DESC:			
mm	NTS	<div style="text-align: center; font-size: 24pt; font-weight: bold;">molex</div> <p>0.4 B-TO-B CONN. H = 1.5 / 1.8 J-BEND PLUG</p> <p>PRODUCT CUSTOMER DRAWING</p>			
GENERAL TOLERANCES (UNLESS SPECIFIED)					
ANGULAR TOL	± 1.0 °				
4 PLACES	± 0.1				
3 PLACES	± 0.1				
2 PLACES	± 0.1				
1 PLACE	± 0.1	EC NO: 638555	2020/05/15		
0 PLACES	± 0.1	DRWN: BKBAE	2020/05/29		
DRAFT WHERE APPLICABLE MUST REMAIN WITHIN DIMENSIONS		CHK'D: SHCHU	2020/06/01		
THIRD ANGLE PROJECTION		APPR: YSKIM02	2017/11/13		
DRAWING		INITIAL REVISION:		DOCUMENT NUMBER	DOC TYPE
A3-SIZE		DRWN: JHCHANG		559090074	PSD
SERIES		APPR: YSKIM02		000	B
55909		2018/10/09		REVISION	
MATERIAL NUMBER		CUSTOMER		SHEET NUMBER	
SEE CHART		GENERAL		5 OF 5	



注記 NOTES:

1. 使用材料 MATERIAL
 ウエハー：液晶ポリマー (LCP) ガラス充填 UL94V-0 (黒)
 WAFER: LIQUID CRYSTAL POLYMER (GLASS FILLED)
 UL94V-0 (COLOR:BLACK)
 ピン：黄銅 (t=0.12)
 PIN: BRASS (t=0.12)
 金具：リン青銅 (t=0.2)
 FITTING NAIL: PHOSPHOR BRONZE (t=0.2)
2. メッキ仕様 PLATING
 ピン PIN
 金メッキ 0.2 マイクロメートル以上 (コンタクト部)
 GOLD 0.2MICROMETER MINIMUM (CONTACT AREA)
 金メッキ 0.4 マイクロメートル以下 (テール部)
 GOLD 0.4MICROMETER MAXIMUM (TAIL AREA)
 下地メッキ：ニッケルメッキ 1.5 マイクロメートル以上
 UNDER PLATING : NICKEL 1.5MICROMETER MINIMUM
 金具 FITTING NAIL
 錫メッキ 1.0 マイクロメートル以上
 TIN PLATING 1.0MICROMETER MINIMUM
 下地メッキ：ニッケルメッキ 1.0 マイクロメートル以上
 UNDER PLATING : NICKEL 1.0MICROMETER MINIMUM

3. (全極数/2) = 偶数の場合に適用。
 APPLY FOR (CIRCUIT/2)=EVEN.
4. 嵌合相手 :51338シリーズ (嵌合高さ = 1.5mm) 及び
 500913シリーズ (嵌合高さ = 1.8mm)
 MATE WITH : 51338 SERIES (HEIGHT = 1.5mm) AND
 500913 SERIES (HEIGHT = 1.8mm)
5. テール平坦度は、0.08以下
 テール及び金具の平坦度は、0.1以下
 TAIL COPLANARITY TO BE 0.08MAXIMUM
 TAIL AND FITTING NAIL
 COPLANARITY TO BE 0.1 MAXIMUM
6. 本製品は 55909-***3 の鉛フリー品である。
 THIS PRODUCT IS LEAD FREE OF 55909-***3



21.2	19.6	22.0	55909-1074	100
19.2	17.6	20.0	55909-0974	90
17.2	15.6	18.0	55909-0874	80
15.2	13.6	16.0	55909-0774	70
14.0	12.4	14.8	55909-6472	64
13.2	11.6	14.0	55909-0674	60
12.0	10.4	12.8	55909-5472	54
11.2	9.6	12.0	55909-0574	50
10.0	8.4	10.8	55909-4472	44
9.2	7.6	10.0	55909-0474	40
8.0	6.4	8.8	55909-3474	34
7.2	5.6	8.0	55909-0374	30
6.4	4.8	7.2	55909-2674	26
6.0	4.4	6.8	55909-2474	24
5.6	4.0	6.4	55909-2274	22
5.2	3.6	6.0	55909-0274	20
4.4	2.8	5.2	55909-1674	16
3.6	2.0	4.4	55909-9974	12
3.2	1.6	4.0	55909-9872	10
C	B	A	EMBOSSED TAPE PKG.	CKT.
CONNECTOR SERIES NO.			ORDER No. オーダー番号	
			55909-***73	

GENERAL TOLERANCES (UNLESS SPECIFIED)	
10 ^{UNDER}	±0.2
10 ^{OVER} 30 ^{UNDER}	±0.25
30 ^{OVER}	±0.3

THIS DRAWING CONTAINS INFORMATION THAT IS PROPRIETARY TO MOLEX ELECTRONIC TECHNOLOGIES, LLC AND SHOULD NOT BE USED WITHOUT WRITTEN PERMISSION

DIMENSION UNITS	SCALE	CURRENT REV DESC:	
mm	NTS		
GENERAL TOLERANCES (UNLESS SPECIFIED)			
ANGULAR TOL	± 3.0°		
4 PLACES	±	EC NO: 739909	
3 PLACES	±	DRWN: RAJMOK	2023/02/21
2 PLACES	±	CHK'D: HSHIMOYAMA	2023/02/23
1 PLACE	±	APPR: YNAITO	2023/02/23
0 PLACES	±	INITIAL REVISION:	
DRAFT WHERE APPLICABLE MUST REMAIN WITHIN DIMENSIONS		DRWN: HSHIMABUKURO	2004/03/31
		APPR: MSASAO	2004/04/02
THIRD ANGLE PROJECTION	DRAWING	SERIES	MATERIAL NUMBER
	A3-SIZE	55909	SEE TABLE
		CUSTOMER	SHEET NUMBER
		GENERAL MARKET	1 OF 2

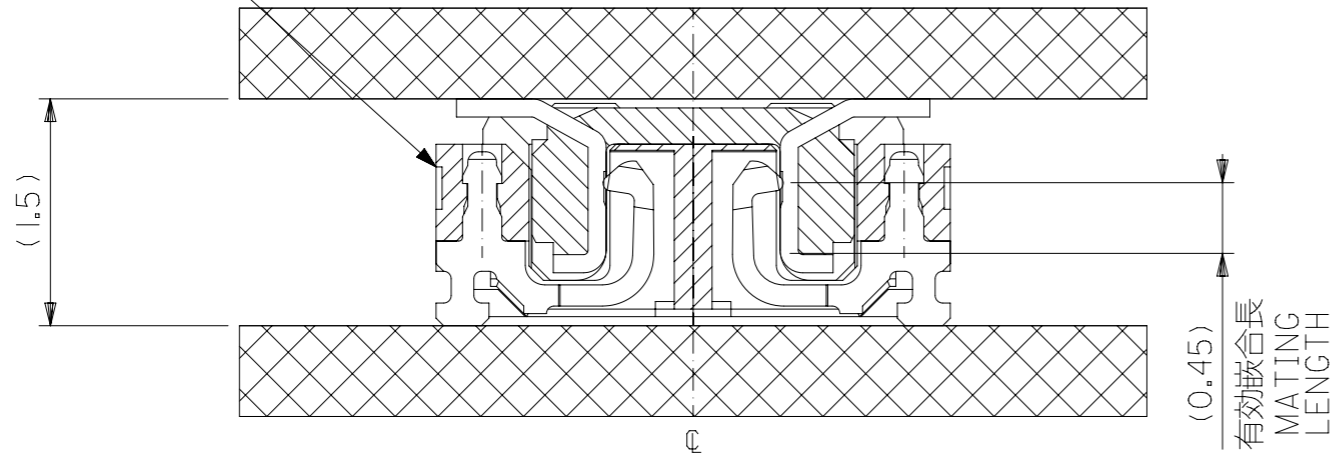
0.4 B-TO-B CONN. H = 1.5 / 1.8 J-BEND PLUG

PRODUCT CUSTOMER DRAWING

DOCUMENT NUMBER: SD-55909-003 DOC TYPE: PSD DOC PART: 001 REVISION: J

MATE : 55909 WITH 51338

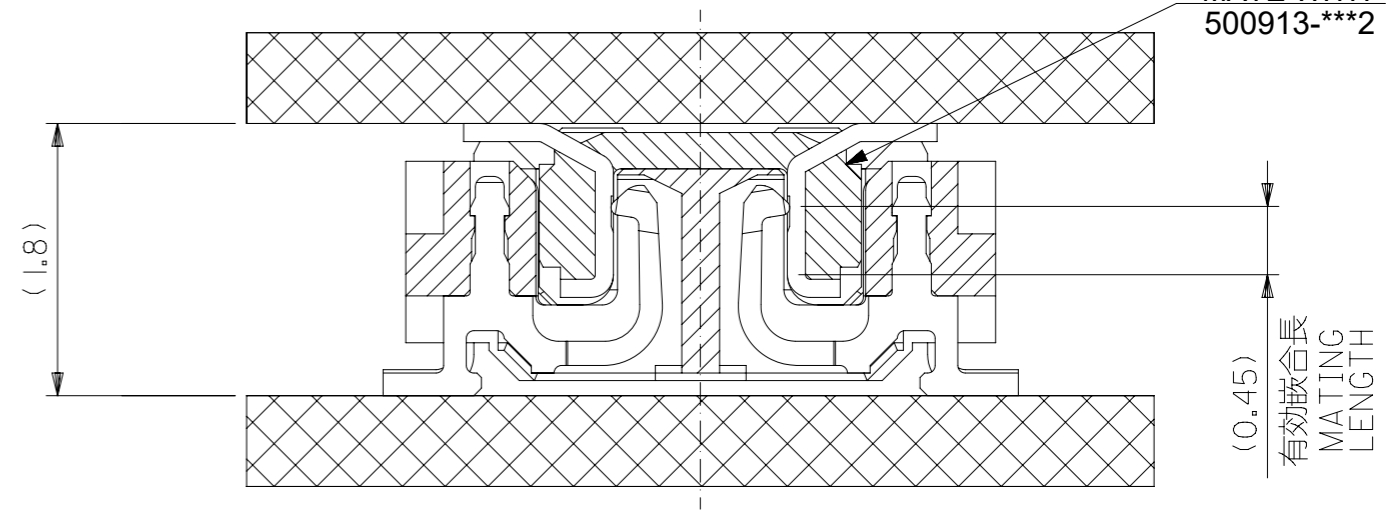
嵌合相手
MATE WITH
51338-****



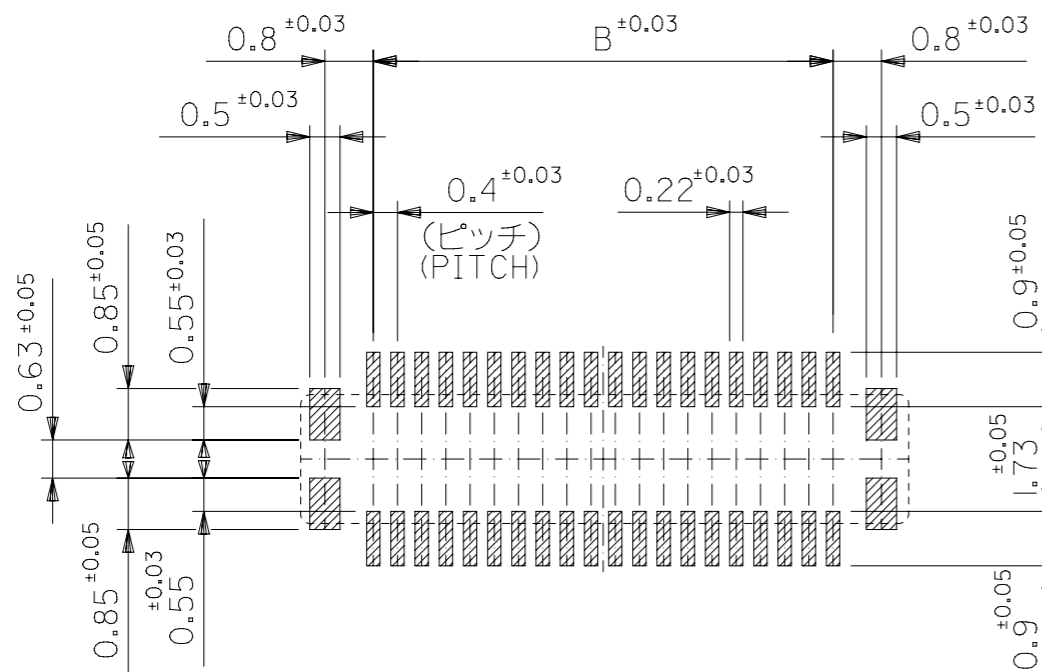
嵌合断面図 (参考)
MATED DRAWING (REFERENCE)

MATE : 55909 WITH 500913

嵌合相手
MATE WITH
500913-***2



嵌合断面図 (参考)
MATED DRAWING (REFERENCE)



参考基板レイアウト (マウント面)
P.C. BOARD PATTERN DIMENSION.
(REFERENCE)
(MOUNTING AREA)

THIS DRAWING CONTAINS INFORMATION THAT IS PROPRIETARY TO MOLEX ELECTRONIC TECHNOLOGIES, LLC AND SHOULD NOT BE USED WITHOUT WRITTEN PERMISSION		CURRENT REV DESC:		molex	
DIMENSION UNITS	SCALE				
mm	NTS			0.4 B-TO-B CONN. H = 1.5 / 1.8 J-BEND PLUG	
GENERAL TOLERANCES (UNLESS SPECIFIED)		EC NO: 739909		PRODUCT CUSTOMER DRAWING	
ANGULAR TOL ± 3.0°		DRWN: RAJMOK		DOCUMENT NUMBER	
4 PLACES ±		2023/02/21		SD-55909-003	
3 PLACES ±		CHK'D: HSHIMUYAMA		DOC TYPE DOC PART REVISION	
2 PLACES ±		APPR: YNAITO		PSD 001 J	
1 PLACE ±		INITIAL REVISION:			
0 PLACES ±		DRWN: HSHIMABUKURO			
DRAFT WHERE APPLICABLE MUST REMAIN WITHIN DIMENSIONS		APPR: MSASAO			
THIRD ANGLE PROJECTION		DRAWING		MATERIAL NUMBER	
A3-SIZE		SERIES		CUSTOMER	
55909		SEE SHEET-1		GENERAL MARKET	
SHEET NUMBER		2 OF 2			

GENERAL TOLERANCES (UNLESS SPECIFIED)		
10 ^{UNDER}	±0.2	
10 ^{OVER} 30 ^{UNDER}	±0.25	
30 ^{OVER}	±0.3	