



产品编号 : 559171810

系列号 : 55917

Product Category : PCB Headers and Receptacles

Product Description : 2.00mm Pitch MicroClasp Wire-to-Board Header, Dual Row, Vertical, 18 Circuits, with PCB Locator

状态 : Active

文件和资源

图纸

图纸 559171810_sd.pdf

3D 模型和设计文件

3D模型 559171810_stp.zip

规格

应用规格 561340000-AS-000.pdf


包装规格 559179200-SPK-200.pdf

产品规格 PS-51353-003-001.pdf

产品规格 PS-51353-010-001.pdf

产物环境合规

合规

GADSL/IMDS	Not Relevant
China RoHS	
EU ELV	Not Relevant
Low-Halogen Status	Not Low-Halogen per IEC 61249-2-21
REACH SVHC	Not Contained per D(2023)8585-DC (23 Jan 2024)
EU RoHS	Compliant per EU 2015/863

多部分产品合规性声明

- Eu RoHS
- REACH SVHC
- Low-Halogen

- IPC 1752A Class C
- IPC 1752A Class D

- Molex Product Compliance Declaration

- IEC-62474

- chemSHERPA (xml)

欧盟 RoHS 合格证书

产品详情

常规

状态	活动
类别	PCB Headers and Receptacles
系列	55917
说明	2.00mm Pitch MicroClasp Wire-to-Board Header, Dual Row, Vertical, 18 Circuits, with PCB Locator
应用	Signal, Wire-to-Board
元件类型	PCB Header
产品系列	MicroClasp Wire-to-Board System
产品名称	MicroClasp
UPC	800756610979

机构

UL	E29179
----	--------

电气

每触点最大电流	3.0A
电压 - 最大	250V AC (RMS)/DC

物理

断开	否
回路数 (已载入)	18
电路数 (最多)	18
颜色-树脂	Natural
耐用性(插拔次数) - 最多次数	30
先接后断	否
阻燃性	94V-0
符合灼热丝规范	否
可配插产品指南	否

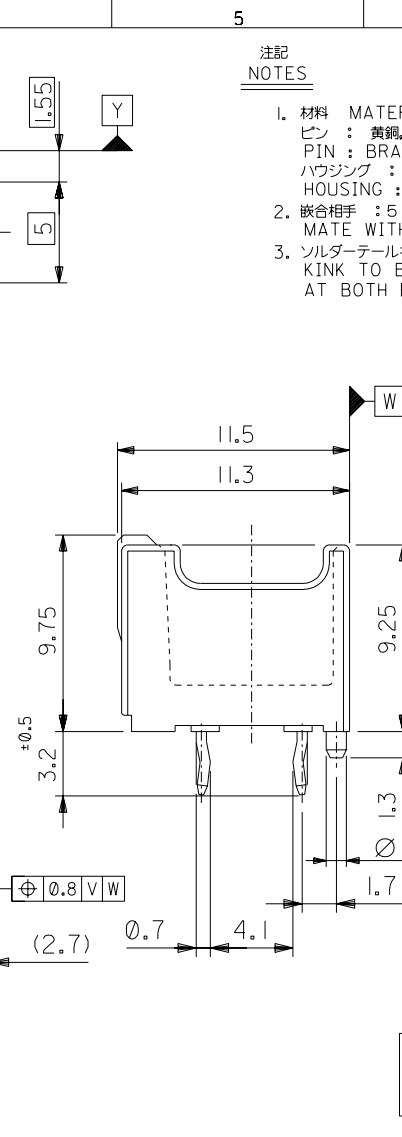
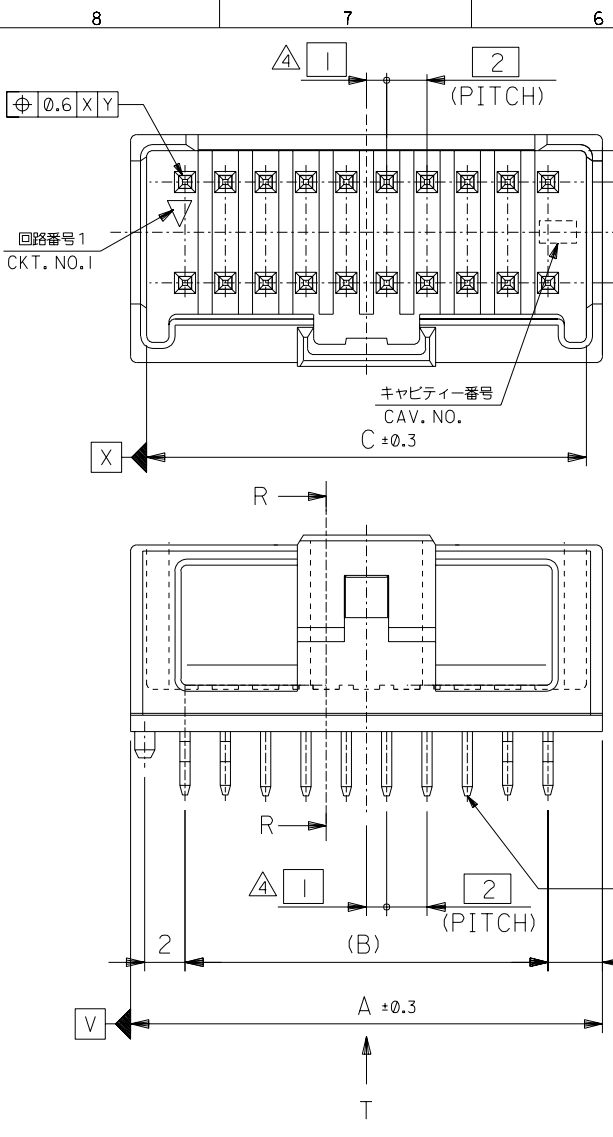
插接极性	无
锁定插接部位	是
材料 - 接合部位电镀	Tin
材料 - 终端电镀	Tin
材料 - 树脂	Polyester
净重	1398.600/mg
行数	2
方向	垂直
包装形式	Tray
PC 焊脚长度	3.20mm
PCB 定位器	是
PCB 保持力	是
推荐的 PCB 厚度	1.60mm
间距 - 插配接口	2.00mm
有护墙的	Fully
可堆叠的	否
运行温度范围	-40° to +105° C
终端界面类型	Through Hole

可配插/可连接使用的产品

可配插部件

描述	产品编号
MicroClasp Dual Row Receptacle Housings	<u>51353</u>

DO NOT SCALE DRAWING



無鉛
LEAD FREE

注記
NOTES

- 材料 MATERIAL
ピン : 黄銅, ニッケル下地鍍メッキ
PIN : BRASS, Sn OVER Ni PLATED
ハウジング : PBT (ガラス入り: 15%), UL94V-0
HOUSING : PBT(G.F.: 15%), UL94V-0
- 嵌合相手 : 51353シリーズ
MATE WITH : 51353 SERIES
- ソルダーテールキップは、両端の8ピンのみとする。
KINK TO BE APPLIED FOR 8 PINS AT BOTH ENDS.

△ (全極数/2) = 偶数の場合に適用。
APPLY FOR (CIRCUIT/2)=EVEN

△ 製品番号
MATERIAL NO.
55917-***|*
極数CIRCUIT SIZE | 色 COLOR

ナチュラル(白) NATURAL(WHITE)	0
黒 BLACK	1
赤 RED	2
黄 YELLOW	3
青 BLUE	4
桃 PINK	5
緑 GREEN	6
茶 BROWN	7
橙 ORANGE	8
紫 VIOLET	9

41.8	38	43.4	55917-40 *	40
39.8	36	41.4	-38 *	38
37.8	34	39.4	-36 *	36
35.8	32	37.4	-34 *	34
33.8	30	35.4	-32 *	32
31.8	28	33.4	-30 *	30
29.8	26	31.4	-28 *	28
27.8	24	29.4	-26 *	26
25.8	22	27.4	-24 *	24
23.8	20	25.4	-22 *	22
21.8	18	23.4	-20 *	20
19.8	16	21.4	-18 *	18
17.8	14	19.4	-16 *	16
15.8	12	17.4	-14 *	14
13.8	10	15.4	-12 *	12
11.8	8	13.4	-10 *	10
9.8	6	11.4	55917-08 *	8
C	B	A	MATERIAL NO.	CKT.

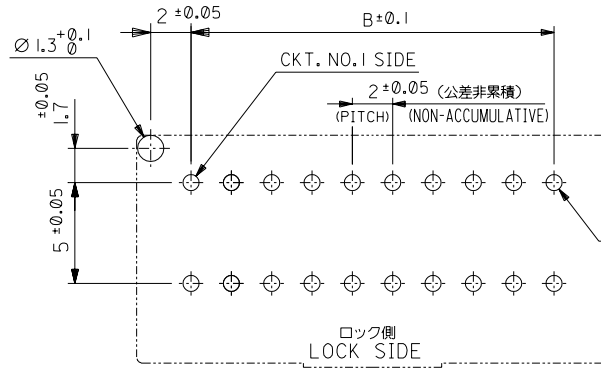
REVISED #64NO. J2003-3290 DRWN:N.ITO '03/06/26 CHK: K.ASAKAWA APPR:T.YAMAGUCHI	REVISED #63NO. J2003-3134 DRWN:N.ITO '03/06/19 CHK: K.ASAKAWA APPR:T.YAMAGUCHI	REVISED #62NO. J2002-2307 DRWN:N.ITO '02/03/18 CHK: K.ASAKAWA APPR:T.YAMAGUCHI	REVISED #61NO. J2002-1826 DRWN:N.ITO '02/02/28 CHK: K.ASAKAWA APPR:T.YAMAGUCHI	RELEASED #60NO. J2002-1196 DRWN:N.ITO '01/12/17 CHK: K.ASAKAWA APPR:T.YAMAGUCHI	0
D	C	B	A	0	

MATERIAL 材料	注記参照 SEE NOTES
FINISH 仕上げ	//
WIRE RANGE 適用線径範囲	//
INS. RANGE 被覆外径	//

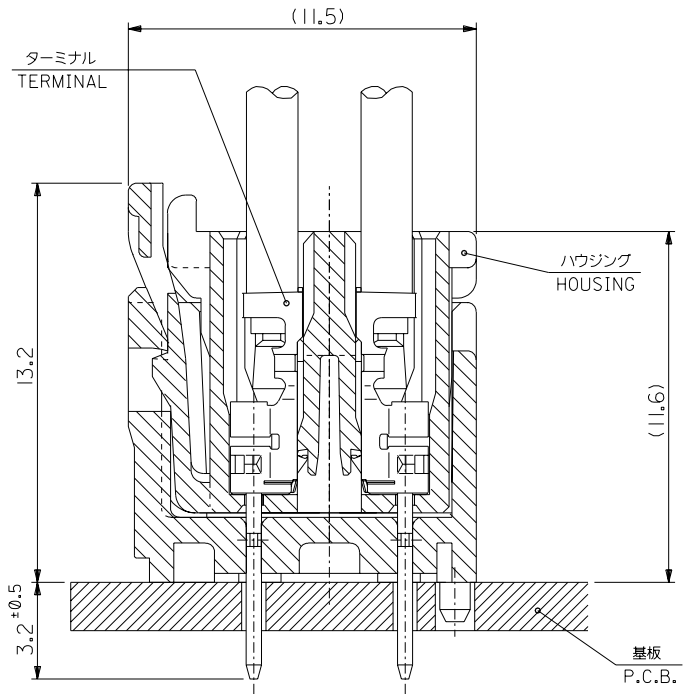
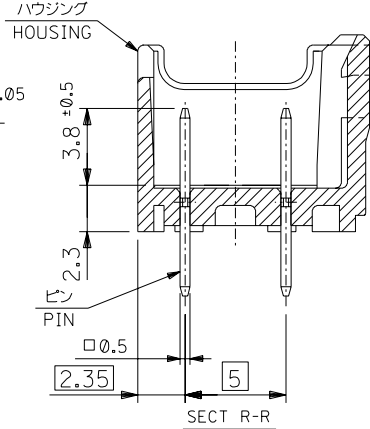
GENERAL TOLERANCES: (UNLESS SPECIFIED) 一般公差	SCALE //	DESIGN UNITS <input checked="" type="checkbox"/> mm <input type="checkbox"/> INCH
10 UNDER 未満	±0.2	
10 OVER 30 UNDER 未満	±0.25	
30 OVER 以上	±0.3	
ANGLE 角度	±3°	

55917-*** *		MODEL NO.	DIMENSIONS: <input type="checkbox"/> mm <input type="checkbox"/> INCH		SHT	REV
<input checked="" type="checkbox"/> FIRST ANGLE PROJECTION	<input type="checkbox"/> mm ONLY	<input type="checkbox"/> mm ONLY	<input checked="" type="checkbox"/> mm	<input type="checkbox"/> INCH		
DRAWN BY & DATE N.ITO '01/12/17		TITLE: 2.0mm W+-B DUAL CONN DIP PLUG HOUSING ASS'Y ST (WITH BOSS)				
CHECKED BY & DATE K.ASAKAWA '03/06/26		MOLEX INCORPORATED				
APPROVED BY & DATE T.YAMAGUCHI '03/06/26		MATERIAL NO.	DRAWING NO.	SHEET NO.		
CAD FILENAME 55917003.S01		SEE CHART	SD-55917-003	1 OF 2		
* THIS DRAWING CONTAINS INFORMATION THAT IS PROPRIETARY TO MOLEX INCORPORATED AND SHOULD NOT BE USED WITHOUT WRITTEN PERMISSION.						
					SIZE B	

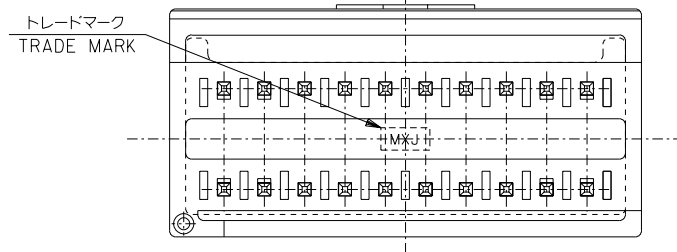
DWG. NO. SD-55917-003



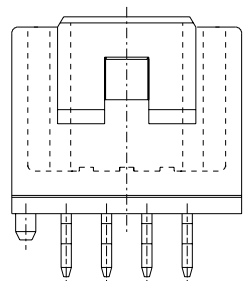
基板取付穴推奨寸法 (マウント面)
RECOMMENDED P.C.BOARD
HOLE DIMENSION
(MOUNTING SIDE)
(t = 1.6)



嵌合断面図 (参考)
MATED DRAWING (REF.)



VIEW *T*



8 CIRCUIT

無鉛
LEAD FREE

DO NOT SCALE DRAWING

REVISED J2003-3290 DRWN:N.ITO '03/06/26 CHK: K.ASAKAWA APPR:T.YAMAGUCHI	REVISED J2003-3134 DRWN:N.ITO '03/06/19 CHK: K.ASAKAWA APPR:T.YAMAGUCHI	REVISED J2002-2307 DRWN:N.ITO '02/03/18 CHK: K.ASAKAWA APPR:T.YAMAGUCHI	REVISED J2002-1826 DRWN:N.ITO '02/02/28 CHK: K.ASAKAWA APPR:T.YAMAGUCHI	RELEASED J2002-1196 DRWN:N.ITO '01/12/17 CHK: K.ASAKAWA APPR:T.YAMAGUCHI	MATERIAL 材料 注記参照 SEE NOTES	FINISH 仕上げ //	WIRE RANGE 適用線径範囲 //	INS. RANGE 被覆外径 //
---	---	---	---	--	-------------------------------------	---------------------	----------------------------	--------------------------

GENERAL TOLERANCES: (UNLESS SPECIFIED) 一般公差	
10 UNDER 未満	±0.2
10 OVER 30 UNDER 未満	±0.25
30 OVER 以上	±0.3
ANGLE 角度	±3°

55917-***		MODEL NO.	DIMENSIONS:		SHT	REV
SCALE 4:1	DESIGN UNITS mm INCH	PROJECTION 2D 3D	mm INCH	mm ONLY	2	ON CAD ONLY
DRAWN BY & DATE N.ITO '01/12/17		TITLE: 2.0mm W-t-B DUAL CONN DIP PLUG HOUSING ASS'Y ST (WITH BOSS)				
CHECKED BY & DATE K.ASAKAWA '03/06/26		APPROVED BY & DATE T.YAMAGUCHI '03/06/26				
CAD FILENAME 55917003.S02		MATERIAL NO. SEE CHART	DRAWING NO. SD-55917-003	SHEET NO. 2 OF 2		
MOLEX INCORPORATED						
* THIS DRAWING CONTAINS INFORMATION THAT IS PROPRIETARY TO MOLEX INCORPORATED AND SHOULD NOT BE USED WITHOUT WRITTEN PERMISSION.						
					SIZE B	