



产品编号 : 559593030

系列号 : 55959

Product Category : PCB Headers and Receptacles

Product Description : 2.00mm Pitch MicroClasp Wire-to-Board Header, Dual Row, Right Angle, 30 Circuits

状态 : Active

文件和资源

图纸

图纸 559593030_sd.pdf

3D 模型和设计文件

3D模型 559593030_stp.zip

规格


应用规格 561340000-AS-000.pdf

包装规格 SPK-55959-001-001.pdf

产品规格 PS-51353-003-001.pdf

产物环境合规

合规

GADSL/IMDS	Not Relevant
China RoHS	
EU ELV	Not Relevant
Low-Halogen Status	Not Low-Halogen per IEC 61249-2-21
REACH SVHC	Not Contained per D(2023)8585-DC (23 Jan 2024)
EU RoHS	Compliant per EU 2015/863

多部分产品合规性声明

- Eu RoHS
- REACH SVHC
- Low-Halogen

- IPC 1752A Class C
- IPC 1752A Class D
- Molex Product Compliance Declaration

- IEC-62474

- chemSHERPA (xml)

欧盟 RoHS 合格证书

产品详情

常规

状态	活动
类别	PCB Headers and Receptacles
系列	55959
说明	2.00mm Pitch MicroClasp Wire-to-Board Header, Dual Row, Right Angle, 30 Circuits
应用	Signal, Wire-to-Board
元件类型	PCB Header
产品系列	MicroClasp Wire-to-Board System
产品名称	MicroClasp
UPC	756054218433

机构

UL	E29179
----	--------

电气

每触点最大电流	3.0A
电压 - 最大	250V AC (RMS) /DC

物理

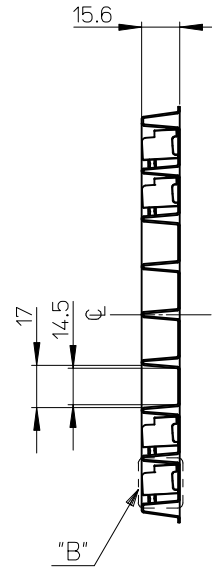
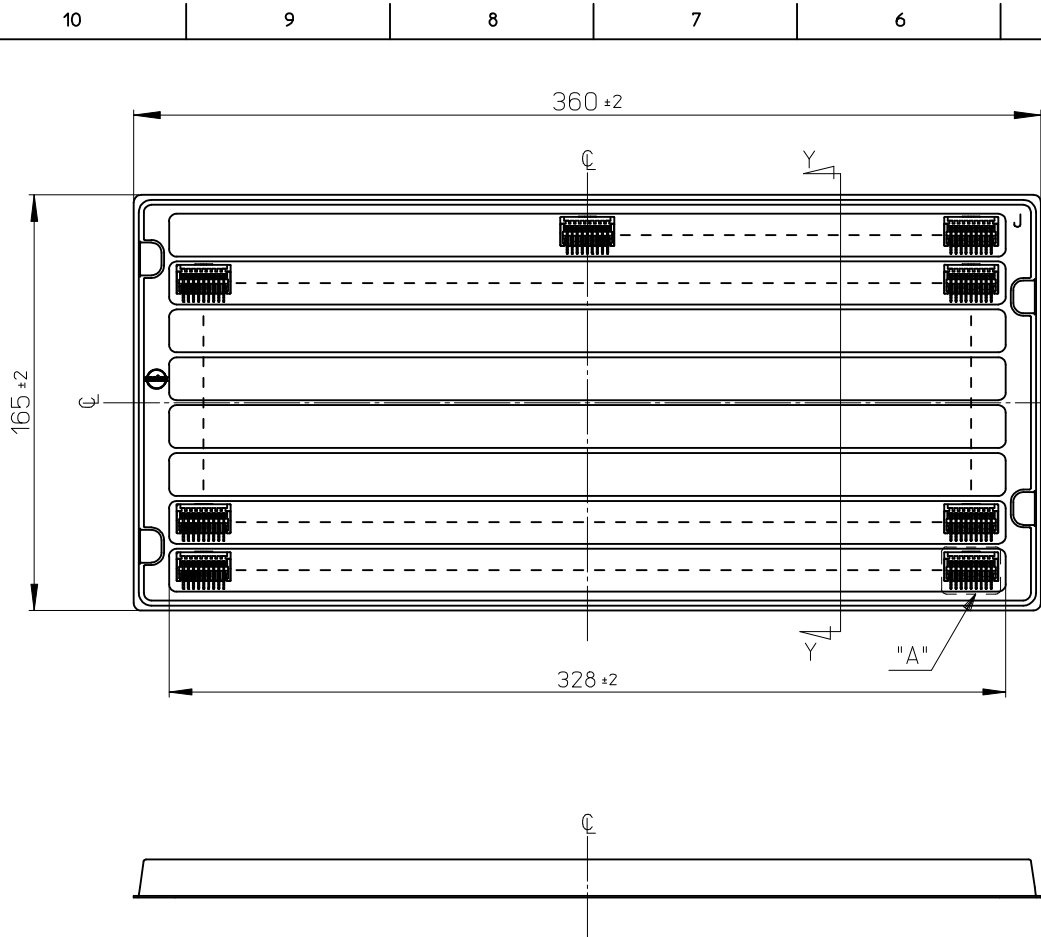
断开	否
回路数 (已载入)	30
电路数 (最多)	30
颜色-树脂	Natural
耐用性(插拔次数) - 最多次数	30
先接后断	否
阻燃性	94V-0
符合灼热丝规范	否
可配插产品指南	否

插接极性	无
锁定插接部位	是
材料 - 接合部位电镀	Tin
材料 - 终端电镀	Tin
材料 - 树脂	Polyester
净重	3445.000/mg
行数	2
方向	Right Angle
包装形式	Tray
PC 焊脚长度	3.20mm
PCB 定位器	否
PCB 保持力	是
推荐的 PCB 厚度	1.60mm
间距 - 插配接口	2.00mm
有护墙的	Fully
可堆叠的	否
运行温度范围	-40° to +105° C
终端界面类型	Through Hole

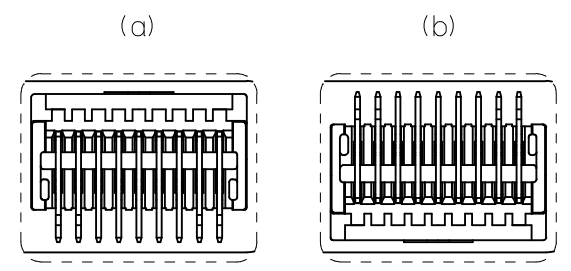
可配插/可连接使用的产品

可配插部件

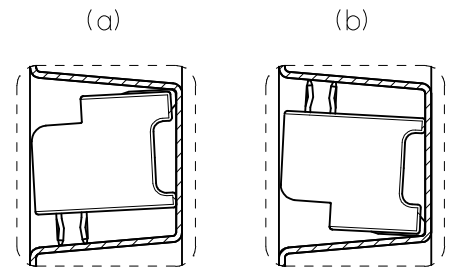
描述	产品编号
MicroClasp Dual Row Receptacle Housings	<u>51353</u>



SECT. Y-Y



DETAIL A
(SCALE 2:1)



DETAIL B
(SCALE 2:1)

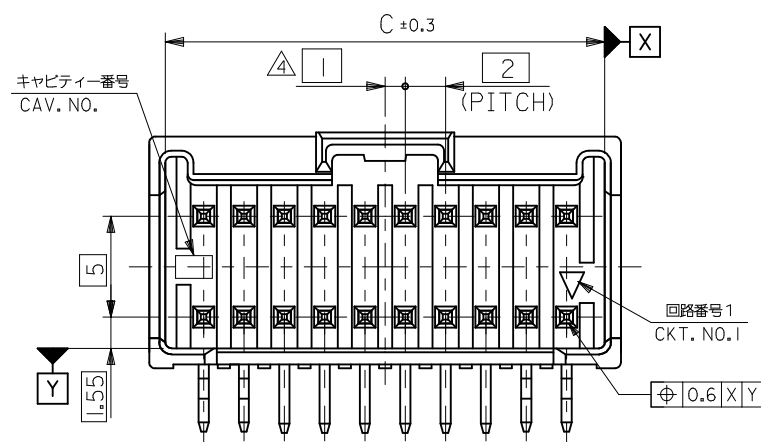
注記

1. 一般公差 : ±0.5
GENERAL TOLERANCES: ±0.5
 2. 各部の反りは2.0MAX.
WARP: 2.0MAX.
- ③ トレイの中の製品の向きは (a) 又は (b) とし、かつ同一トレイ中の製品の向きはどちらか一方で統一
PRODUCT DIRECTION SHOULD BE (a) OR (b).
ALL PRODUCTS MUST FACED THE SAME DIRECTION IN THE TRAY.

55959-**7*
55959-**3*
適用製品番号
APPLICABLE PART No.

RELEASED EC NO: J2009-0955 DRWN: YOKUZONO 2008/10/20 CHKD: HARUYAMA 2008/10/20 APPR: NUKITA 2008/10/20	GENERAL TOLERANCES (UNLESS SPECIFIED)		DIMENSION STYLE MM ONLY	SCALE 1:2	DESIGN UNITS METRIC	THIRD ANGLE PROJECTION
	10 UNDER	± ---	DRAWN BY Y. TOKUZONO	DATE 2008/10/17	TITLE TRAY FOR 55959 (2.0MM W-T-B DUAL CONN. DIP PLUG HOUSING ASS'Y)	
	10 OVER 30 UNDER	± ---	CHECKED BY T. HARUYAMA	DATE 2008/10/17	MOLEX INCORPORATED	
	30 OVER	± ---	APPROVED BY N. UKITA	DATE 2008/10/17	DOCUMENT NO. SD-55959-001	SHEET NO. 1 OF 1
0	ANGULAR DRAFT WHERE APPLICABLE MUST REMAIN WITHIN DIMENSIONS	± --- °	MATERIAL NO. 098910030	THIS DRAWING CONTAINS INFORMATION THAT IS PROPRIETARY TO MOLEX INCORPORATED AND SHOULD NOT BE USED WITHOUT WRITTEN PERMISSION		

10 9 8 7 6 5 4 3 2 1



注記 NOTES

1. 材料 MATERIAL
 PIN : 黄銅, 錫メッキ
 BRASS, TIN PLATING
 ハウジング : PBT (ガラス入り: 15%), UL94V-0
 HOUSING : PBT(G.F.: 15%), UL94V-0
2. 嵌合相手 : 51353シリーズ
 MATE WITH : 51353 SERIES
3. ソルダータールキンは、両端の8ピンのみとする。
 KINK TO BE APPLIED FOR 8 PINS AT BOTH ENDS.

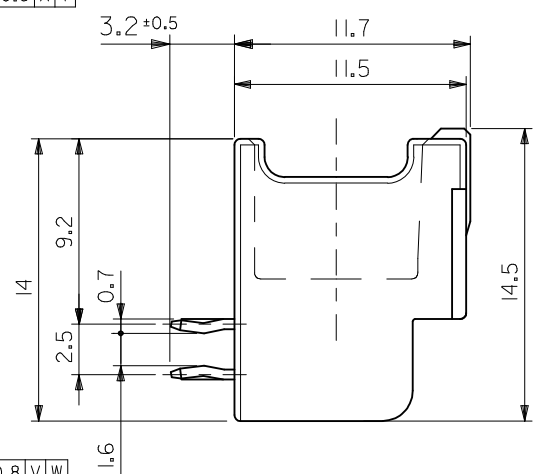
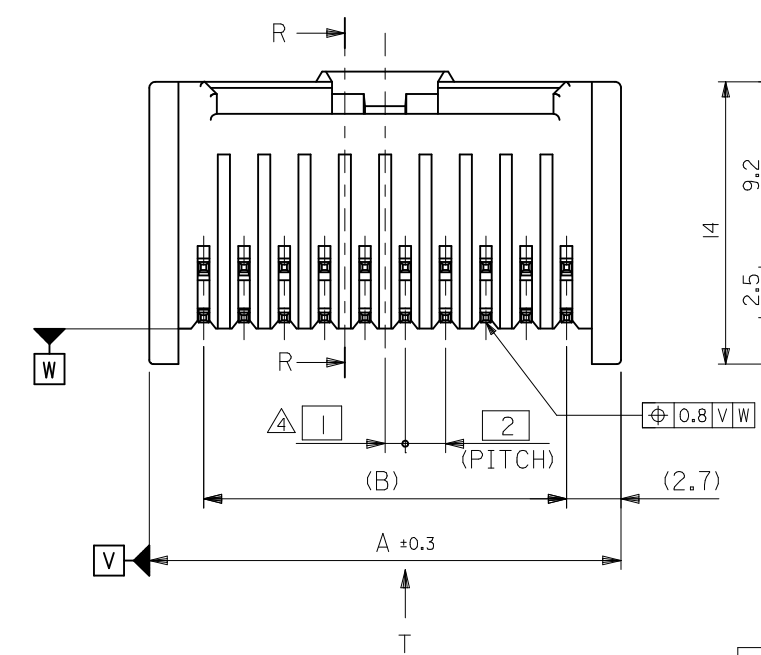
△ (全極数/2) = 偶数の場合に適用。
 APPLY FOR (CIRCUIT/2)=EVEN

△ 製品番号 MATERIAL NO.
 55959-***3*

極数 CIRCUIT SIZE 色 COLOR

6. ELV 及びRoHS適合品
 ELV AND RoHS COMPLIANT

ナチュラル (白) NATURAL (WHITE)	0
黒 BLACK	1
赤 RED	2
黄 YELLOW	3
青 BLUE	4
桃 PINK	5
緑 GREEN	6
茶 BROWN	7
橙 ORANGE	8
紫 VIOLET	9

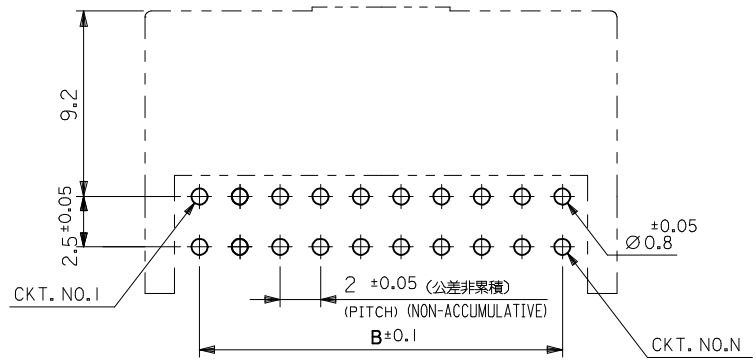


41.8	38	43.4	55959-403*	40
39.8	36	41.4	-383*	38
37.8	34	39.4	-363*	36
35.8	32	37.4	-343*	34
33.8	30	35.4	-323*	32
31.8	28	33.4	-303*	30
29.8	26	31.4	-283*	28
27.8	24	29.4	-263*	26
25.8	22	27.4	-243*	24
23.8	20	25.4	-223*	22
21.8	18	23.4	-203*	20
19.8	16	21.4	-183*	18
17.8	14	19.4	-163*	16
15.8	12	17.4	-143*	14
13.8	10	15.4	-123*	12
11.8	8	13.4	-103*	10
9.8	6	11.4	55959-083*	8

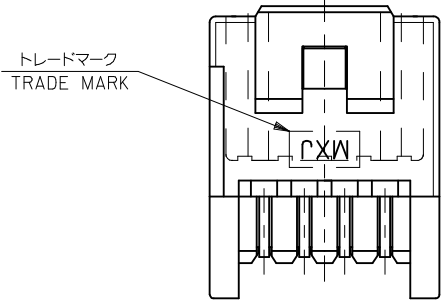
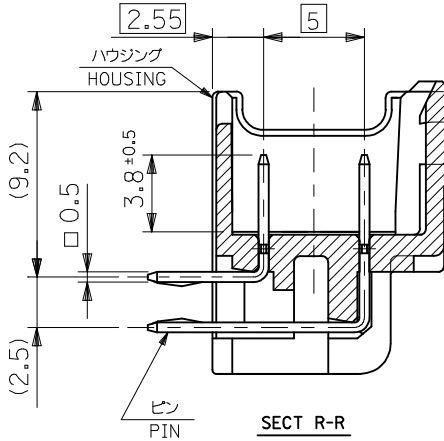
55959-***3*		C	B	A	△ MATERIAL NO.	CKT.
CONNECTOR SERIES NO.					ORDER NO.	

REVISED EC NO: J2014-1085 DRWN: YAJI MA01 2014/01/09 CHKD: APPR: NUKITA 2014/01/09	GENERAL TOLERANCES (UNLESS SPECIFIED)		DIMENSION STYLE MM ONLY		SCALE ---		DESIGN UNITS METRIC		THIRD ANGLE PROJECTION	
	10 UNDER	± 0.2	DRAWN BY		DATE		TITLE		2.0 W-B CONN. DUAL DIP PLUG HSG ASS'Y R/A -LEAD FREE- molex	
	10 OVER 30 UNDER	± 0.25	CHECKED BY		DATE					
	30 OVER	± 0.3	APPROVED BY		DATE					
	ANGULAR ± 3 °		MATERIAL NO.		DOCUMENT NO.		SHEET NO.			
DRAFT WHERE APPLICABLE MUST REMAIN WITHIN DIMENSIONS		SEE NOTES		SD-55959-003		1 OF 3				
SIZE A3		THIS DRAWING CONTAINS INFORMATION THAT IS PROPRIETARY TO MOLEX INCORPORATED AND SHOULD NOT BE USED WITHOUT WRITTEN PERMISSION								

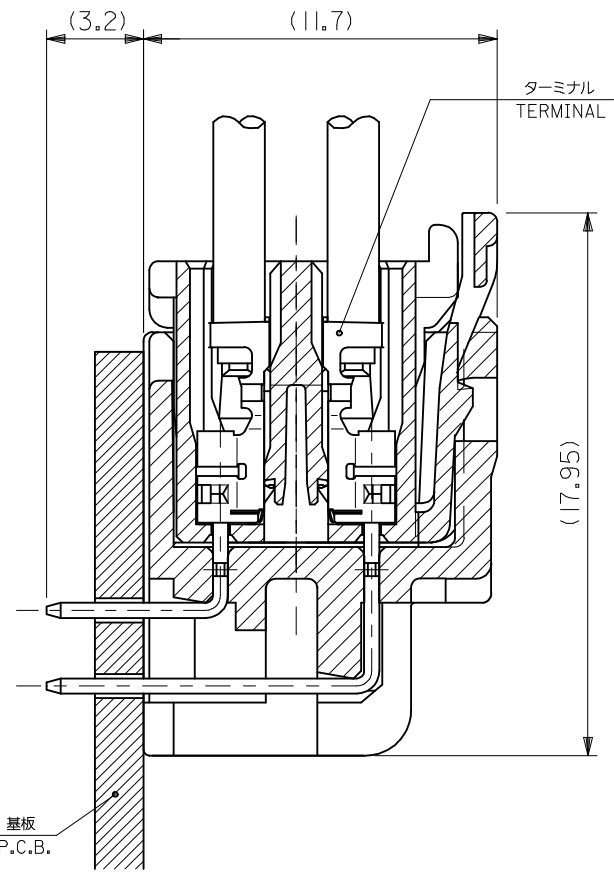
9 8 7 6 5 4 3 2



基板取付け推奨寸法 (マウント面)
 RECOMMENDED P.C. BOARD
 HOLE DIMENSION
 (MOUNTING SIDE)
 (t = 1.2, 1.6)



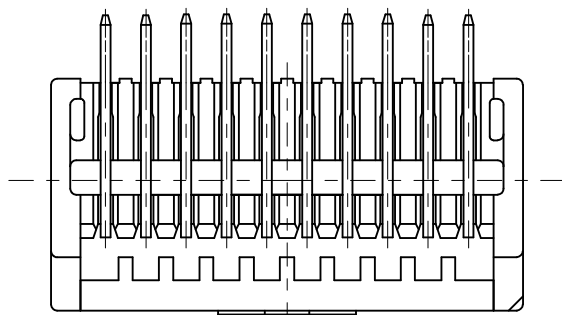
8 CIRCUIT



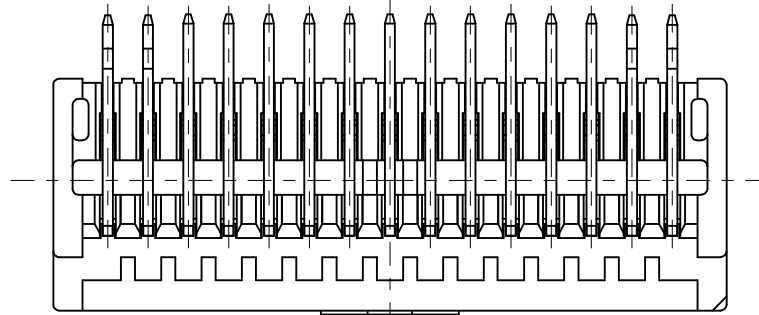
嵌合断面図 (参考)
 MATED DRAWING (REF.)

REVISED EC NO: J2014-1085 DRWN: YAJ/IMA01 2014/01/09 CHKD: APPR: NUK/ITA 2014/01/09	GENERAL TOLERANCES (UNLESS SPECIFIED)		DIMENSION STYLE MM ONLY	SCALE ---	55959-***3	DESIGN UNITS METRIC	CONNECTOR SERIES NO.
	10 UNDER	± 0.2	DRAWN BY	DATE	TITLE 2.0 W-B CONN. DUAL DIP PLUG HSG ASS'Y R/A -LEAD FREE-		
	10 OVER 30 UNDER	± 0.25	CHECKED BY	DATE	THIRD ANGLE PROJECTION		
	30 OVER	± 0.3	APPROVED BY	DATE	MATERIAL NO. SEE SHEET 1		
	ANGULAR ± 3 °	DRAFT WHERE APPLICABLE MUST REMAIN WITHIN DIMENSIONS	DOCUMENT NO. SD-55959-003		SHEET NO. 2 OF 3		
	THIS DRAWING CONTAINS INFORMATION THAT IS PROPRIETARY TO MOLEX INCORPORATED AND SHOULD NOT BE USED WITHOUT WRITTEN PERMISSION						

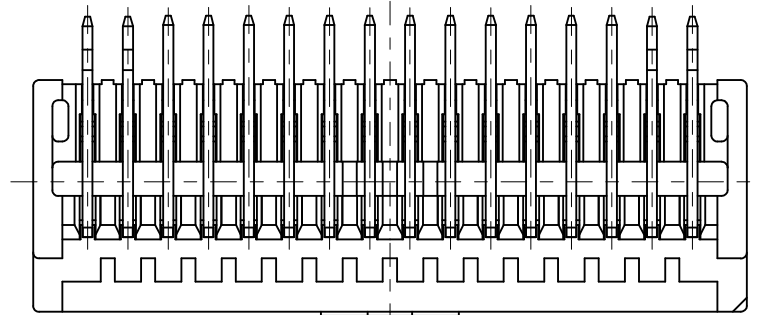
10 9 8 7 6 5 4 3 2 1



8-20 CIRCUIT



22,26,30,34,38 CIRCUIT



24,28,32,36,40 CIRCUIT

VIEW "T"

REVISED EC NO: J2014-1085 DRWN:TYAJ/MA01 2014/01/09 CHKD: APPR:NUK/ITA 2014/01/09 REV	GENERAL TOLERANCES (UNLESS SPECIFIED)		DIMENSION STYLE MM ONLY	SCALE ---	5959-*** DESIGN UNITS METRIC	CONNECTOR SERIES NO. THIRD ANGLE PROJECTION
	10 UNDER	±0.2	DRAWN BY	DATE	TITLE	
	10 OVER 30 UNDER	±0.25	CHECKED BY	DATE	2.0 W-B CONN. DUAL DIP PLUG HSG ASS'Y R/A -LEAD FREE-	
	30 OVER	±0.3	APPROVED BY	DATE	molex	
ANGULAR ±3 °		MATERIAL NO. SEE SHEET 1		DOCUMENT NO. SD-55959-003		SHEET NO. 3 OF 3
DRAFT WHERE APPLICABLE MUST REMAIN WITHIN DIMENSIONS		THIS DRAWING CONTAINS INFORMATION THAT IS PROPRIETARY TO MOLEX INCORPORATED AND SHOULD NOT BE USED WITHOUT WRITTEN PERMISSION				

9 8 7 6 5 4 3 2