



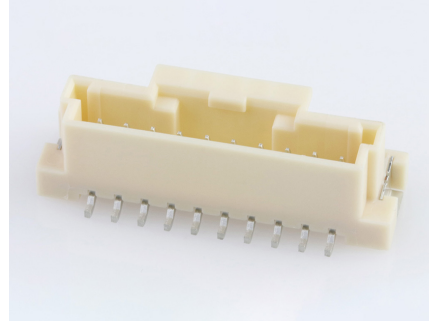
产品编号 : [5600201020](#)

Product Description : DuraClik Wire-to-Board Header, Single Row, Vertical, 10 Circuits, Tin (Sn) Plating, Natural

系列号 : 560020

状态 : Active

Product Category : PCB Headers and Receptacles



文件和资源

图纸

[图纸 5600201020_sd.pdf](#)

3D 模型和设计文件


[3D模型 5600201020_stp.zip](#)

规格

[产品规格 PS-502351-001-001.pdf](#)

产物环境合规

合规

GADSL/IMDS	Compliant with Exemption 44; 33
China RoHS	
EU ELV	Compliant per 2000/53/EC
Low-Halogen Status	Not Low-Halogen per IEC 61249-2-21
REACH SVHC	Not Contained per D(2023)3788-DC (14 Jun 2023)
EU RoHS	Compliant per EU 2015/863

多部分产品合规性声明

- Eu RoHS
- REACH SVHC
- Low-Halogen

多部分行业合规性文件

- IPC 1752A Class C
- IPC 1752A Class D

- Molex Product Compliance Declaration

- IEC-62474

- chemSHERPA (xml)

欧盟 RoHS 合格证书

产品详情

常规

状态	活动
类别	PCB Headers and Receptacles
系列	560020
说明	DuraClik Wire-to-Board Header, Single Row, Vertical, 10 Circuits, Tin (Sn) Plating, Natural
应用	Automotive, Signal, Wire-to-Board
个评论	The Operating Temperature Range when used with DuraClik series 502351 is -40° C to +105° C. It is -40° C to 125° C when used with DuraClik ISL series 560123 or TPA series 505151.
元件类型	PCB Header
产品系列	DuraClik Connector System
产品名称	DuraClik
UPC	887191747361

机构

UL	E29179
----	--------

电气

每触点最大电流	3.0A
电压 - 最大	125V AC (RMS)/DC

物理

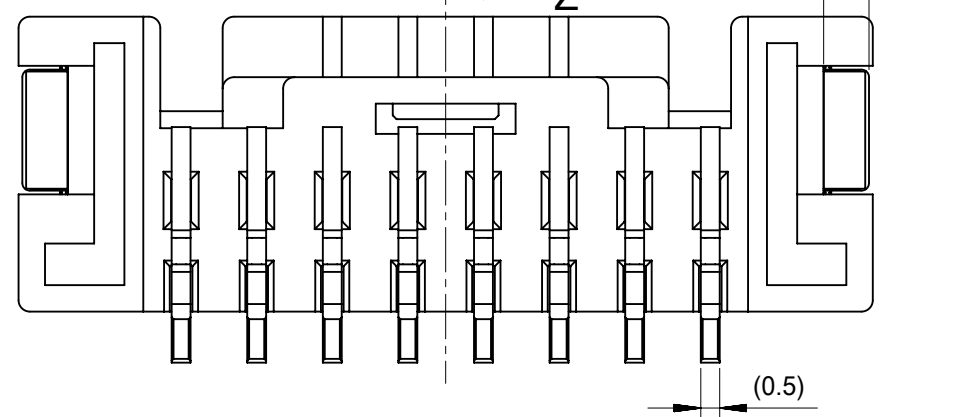
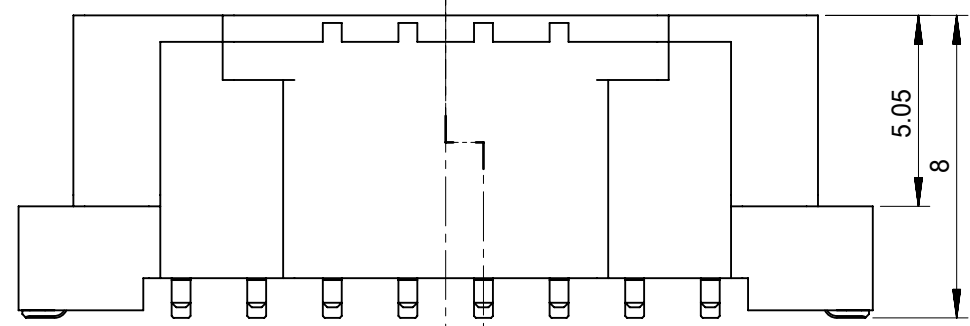
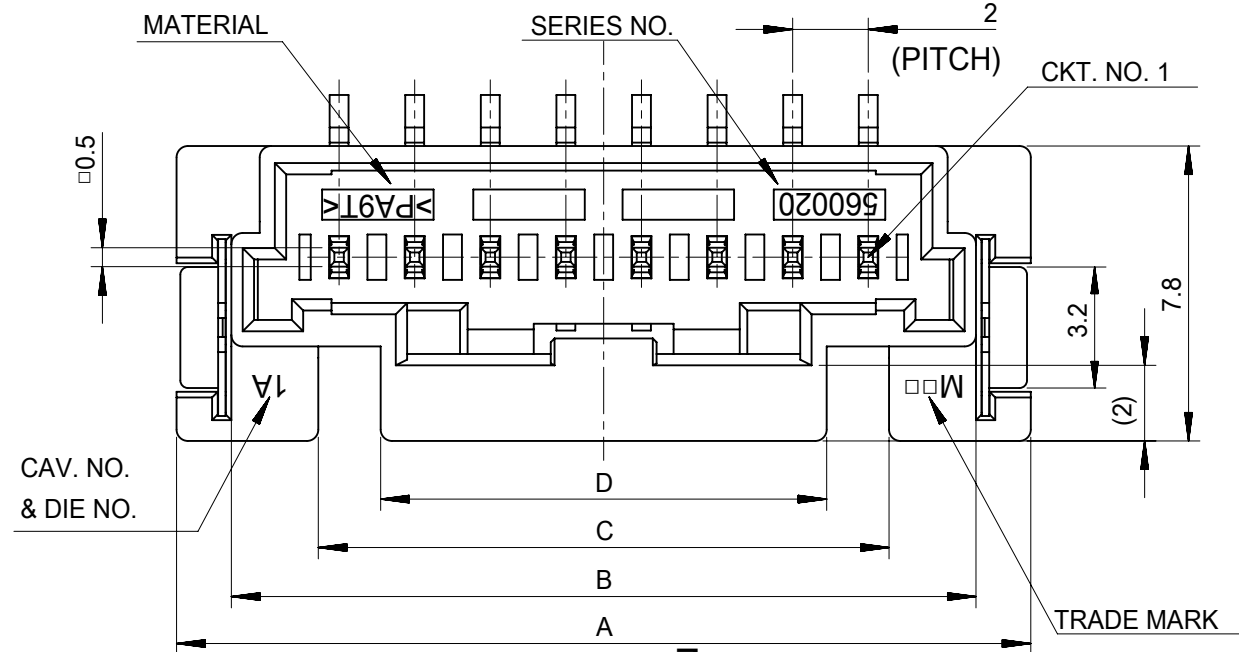
断开	否
回路数 (已载入)	10
电路数 (最多)	10
颜色-树脂	Natural

耐用性(插拔次数) - 最多次数	30
先接后断	否
阻燃性	SC-0
符合灼热丝规范	否
插接极性	无
锁定插接部位	是
材料 - 金属	Copper Alloy
材料 - 接合部位电镀	Tin
材料 - 树脂	Polyamide
净重	1.179/g
行数	1
方向	垂直
包装形式	Embossed Tape on Reel
PCB 定位器	否
PCB 保持力	是
间距 - 插配接口	2.00mm
有极性的插配件	是
PCB 极性	是
可堆叠的	否
运行温度范围	-40° to +105° C, -40° to +125° C
终端界面类型	Surface Mount

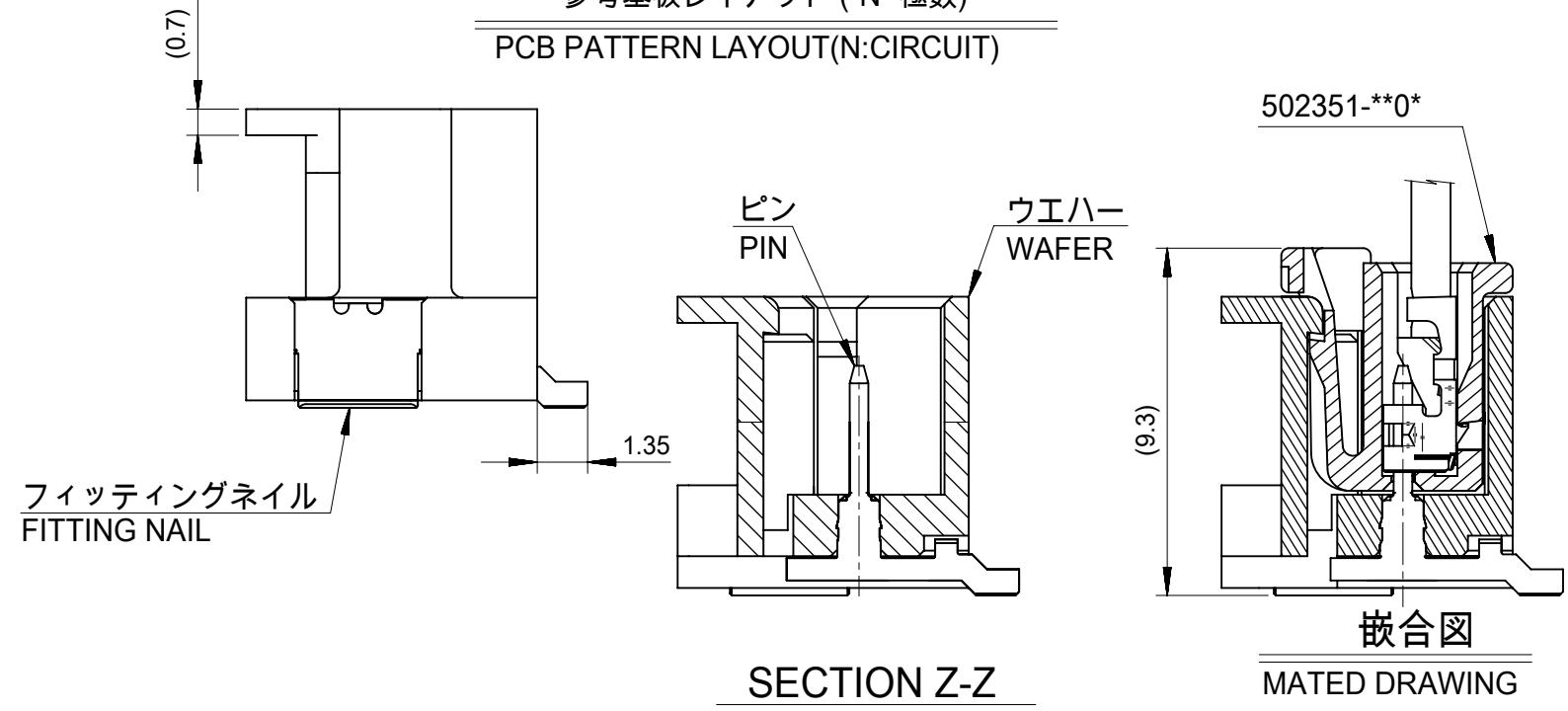
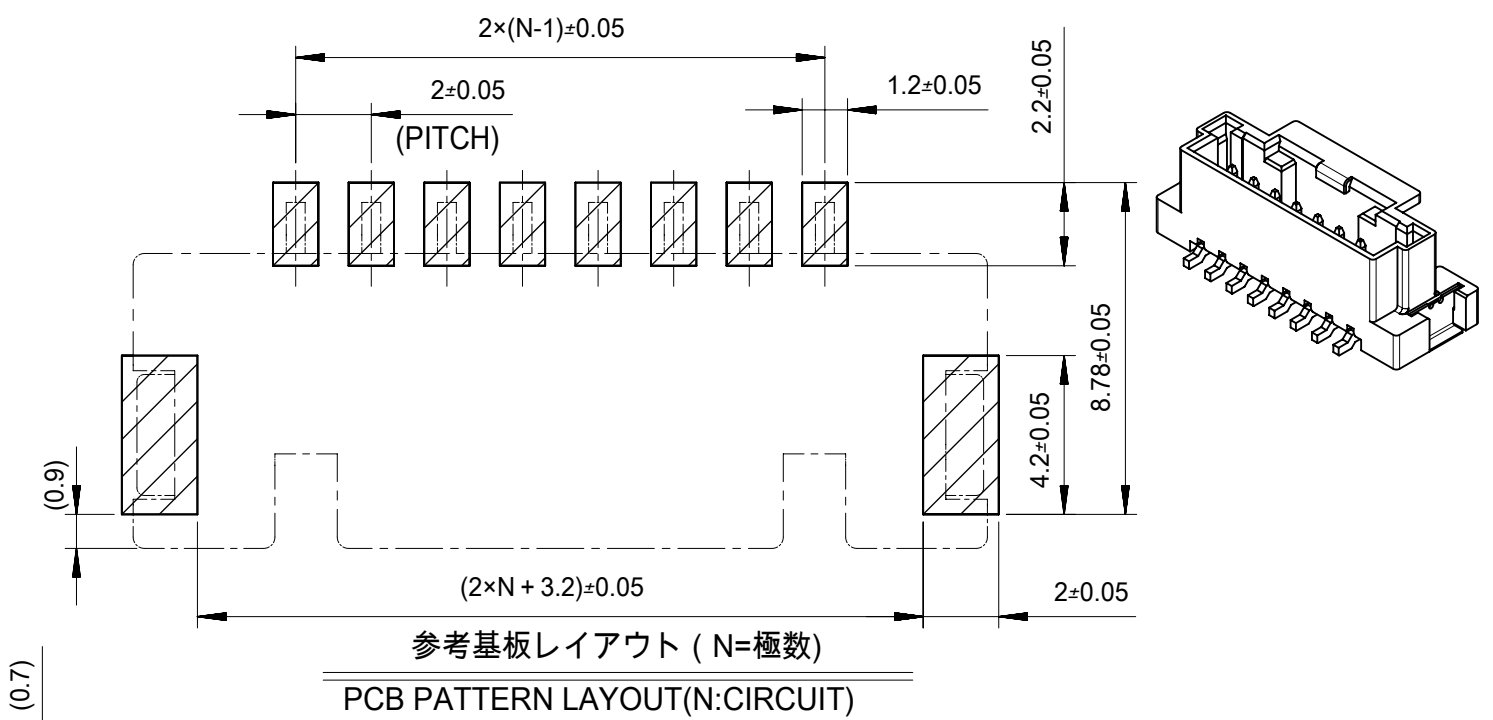
可配插/可连接使用的产品

可配插部件

描述	产品编号
DuraClik Single Row Receptacle Housings	<u>502351</u>
DuraClik TPA Single Row Receptacle Housings	<u>505151</u>
DuraClik ISL Single Row Receptacle Housings	<u>560123</u>



8CKTS



注記
NOTES

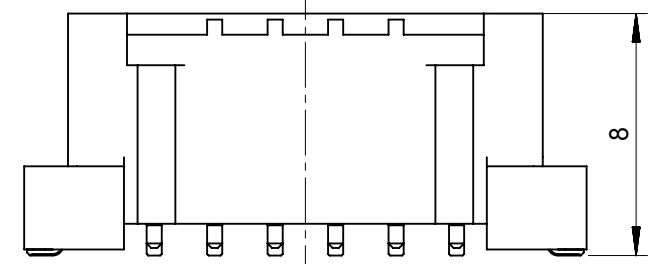
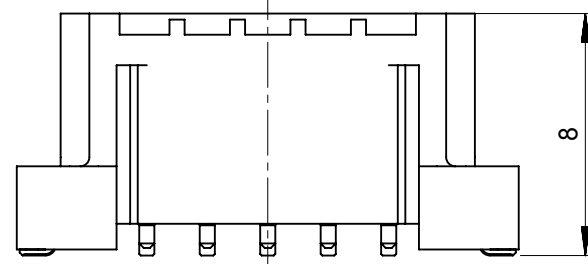
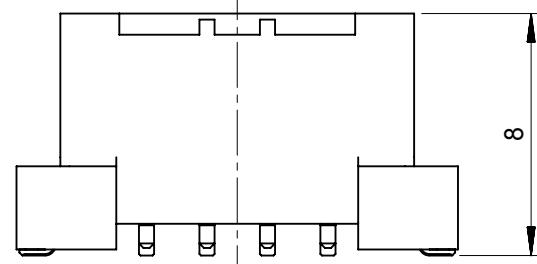
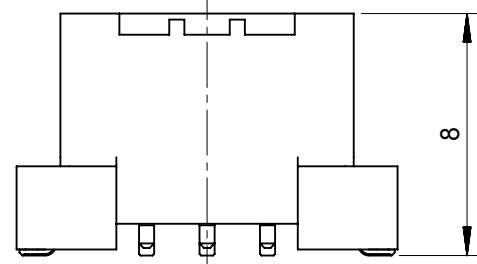
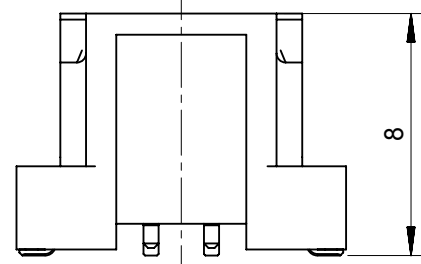
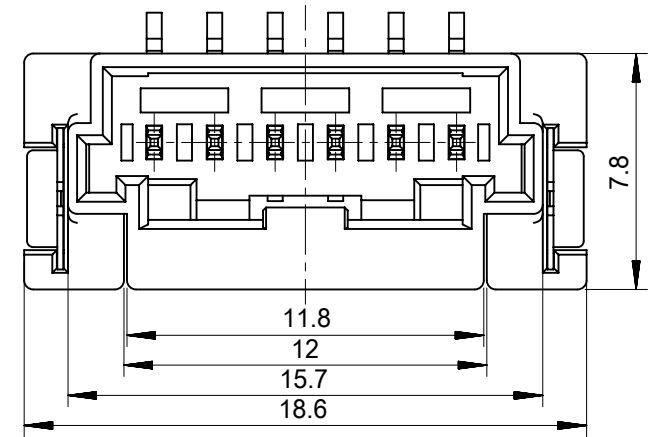
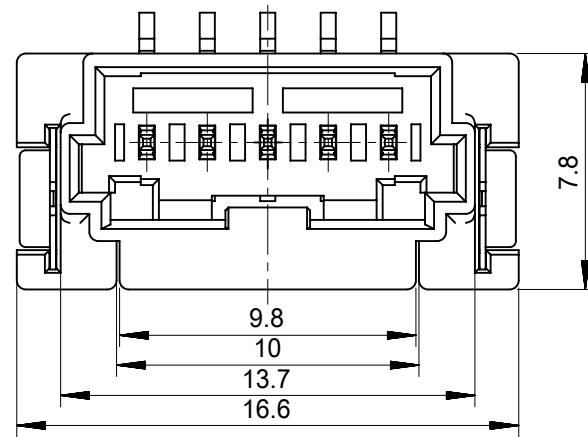
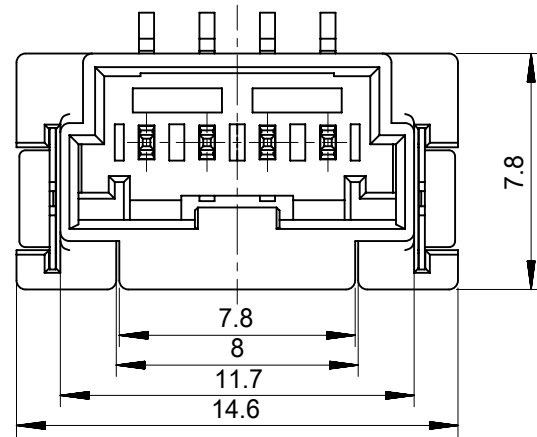
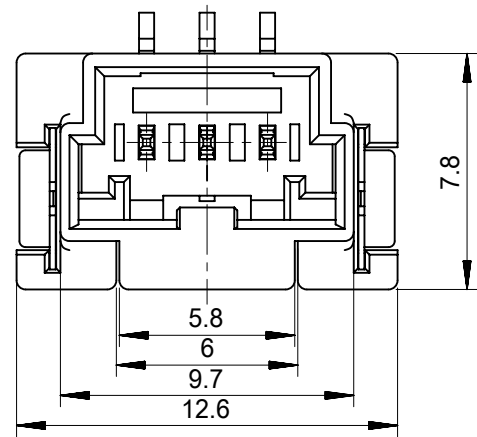
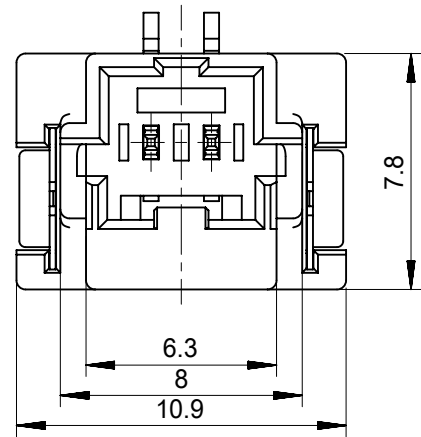
- 材質
ウエハー: 耐熱性ナイロン UL94V-0
ピン: 銅合金、ニッケル下地、錫メッキ、金メッキ
フィッティングネール: 銅合金、ニッケル下地、錫メッキ
MATERIAL
WAFER: POLYAMIDE UL94V-0
PIN: COPPER ALLOY, GOLD OR TIN OVER NICKEL PLATE.
FINNTING NAIL: COPPER ALLOY, TIN OVER NICKEL PLATE.
- 色: ナチュラル、黒、赤、青
COLOR: NATURAL, BLACK, RED, BLUE
- 嵌合相手:
ハウジング: 502351-**0*
錫メッキ端子: 50212-8*00, 50372-8*00, 560085-0101
金メッキ端子: 56161-8*81
MATES WITH
HOUSING: 502351-**0*
SN PLATING TERMINAL: 50212-8*00, 50372-8*00, 560085-0101
AU PLATING TERMINAL: 56161-8*81

- インボス梱包品の詳細はSD-560020-002参照
DETAILED TAPING PACKAGE, SEE SD-560020-002
- 半田付け面のコプラナリティ: 0.1mm MAX.
CO-PLANARITY OF SOLDER TAILS TO BE 0.1mm MAX.
- 一般公差
GENERAL TOLERANCES
10 UNDER: ±0.2
10 OVER 30 UNDER: ±0.25
30 OVER: ±0.3
ANGULAR: ±1°

INITIAL REVISION:

DRWN	SHSHIBATA	2009/02/18
CHECK	HKOMATSU	2009/02/18
APPR	AKANESHIGE	2009/02/18

FUNCTIONAL SYMBOLS	THIS DRAWING CONTAINS INFORMATION THAT IS PROPRIETARY TO MOLEX ELECTRONIC TECHNOLOGIES, LLC AND SHOULD NOT BE USED WITHOUT WRITTEN PERMISSION		SCALE		CURRENT REV DESC:
	MM	INCH	5:1		
DIVISIONAL SYMBOLS	GENERAL TOLERANCES (UNLESS SPECIFIED)		EC NO: 635305		2020/04/02
	4 PLACES	±	DRWN: MUNEMOTO		
FUNCTIONAL SYMBOLS	DRAFT WHERE APPLICABLE MUST REMAIN WITHIN DIMENSIONS		THIRD ANGLE PROJECTION		2020/04/03
	A3-SIZE		SERIES 560020		
DOCUMENT NUMBER			DOC TYPE		
SD-560020-001			PSD		
DOC PART			REVISION		
001			K		
SHEET NUMBER			1 OF 4		



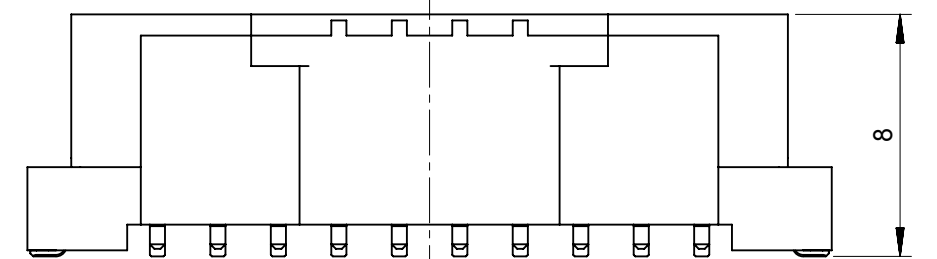
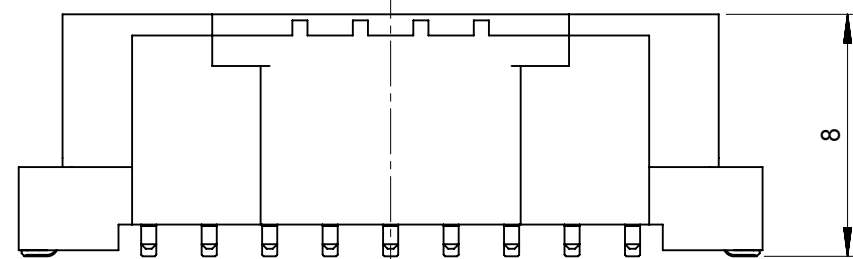
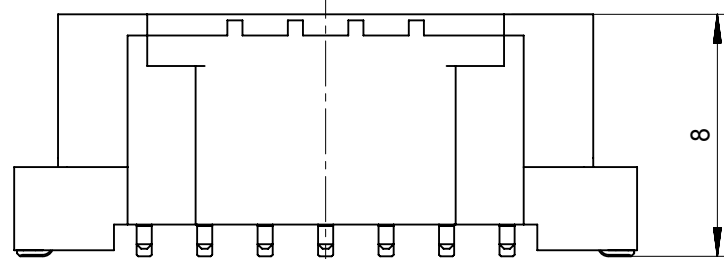
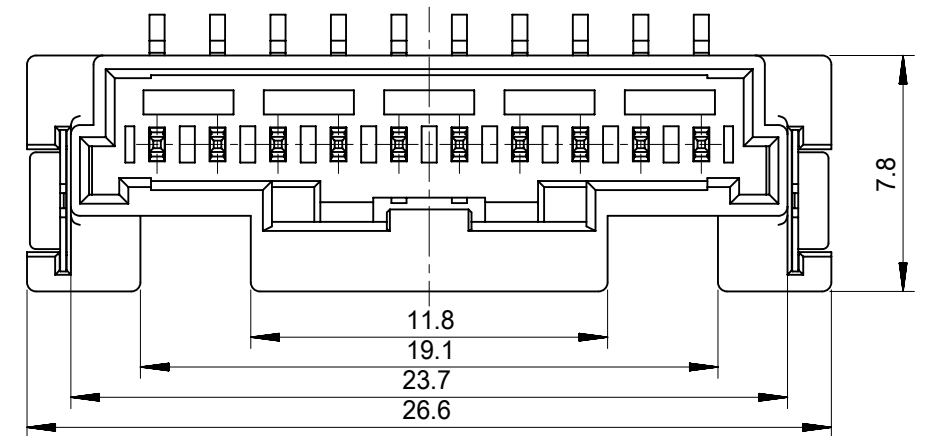
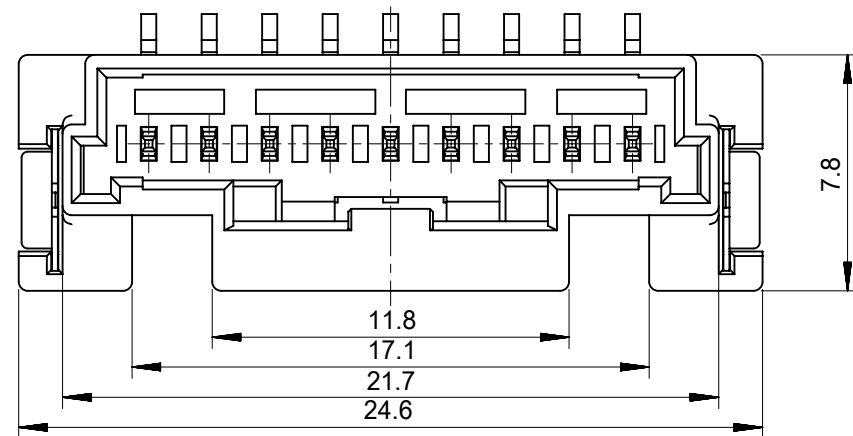
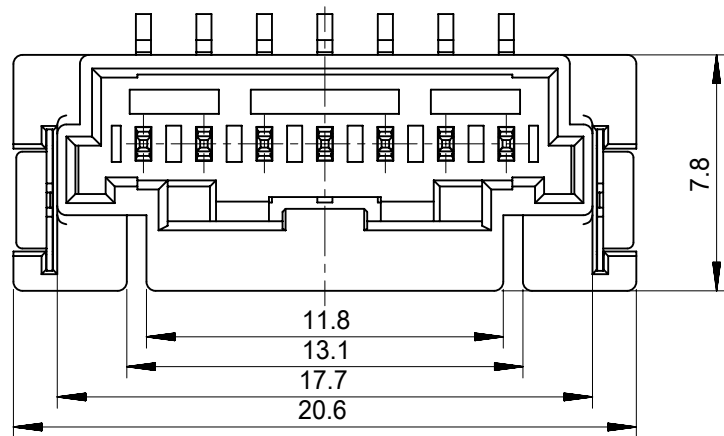
2CKTS

3CKTS

4CKTS

5CKTS

6CKTS



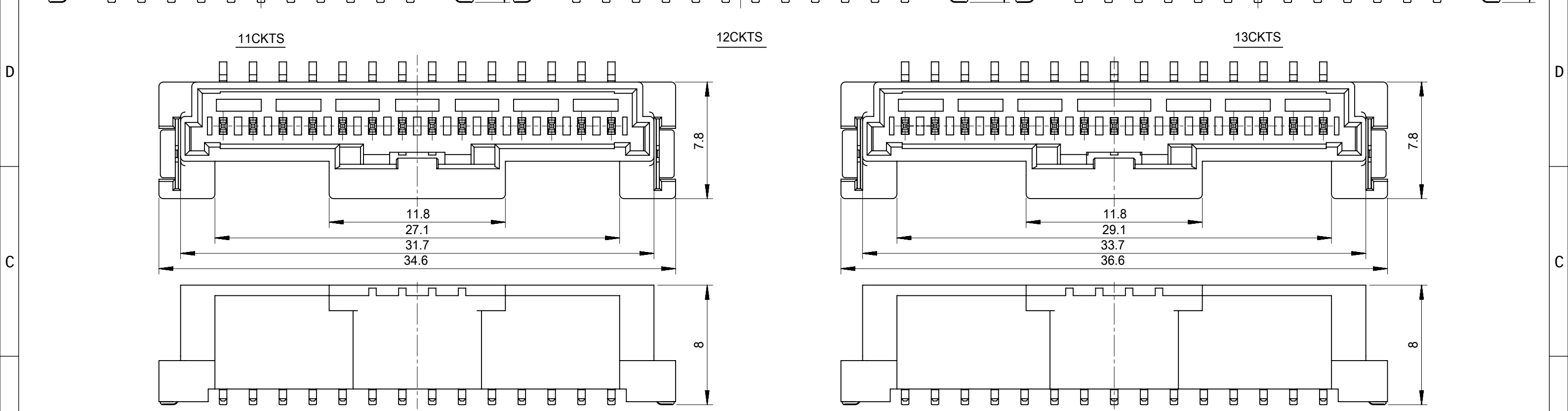
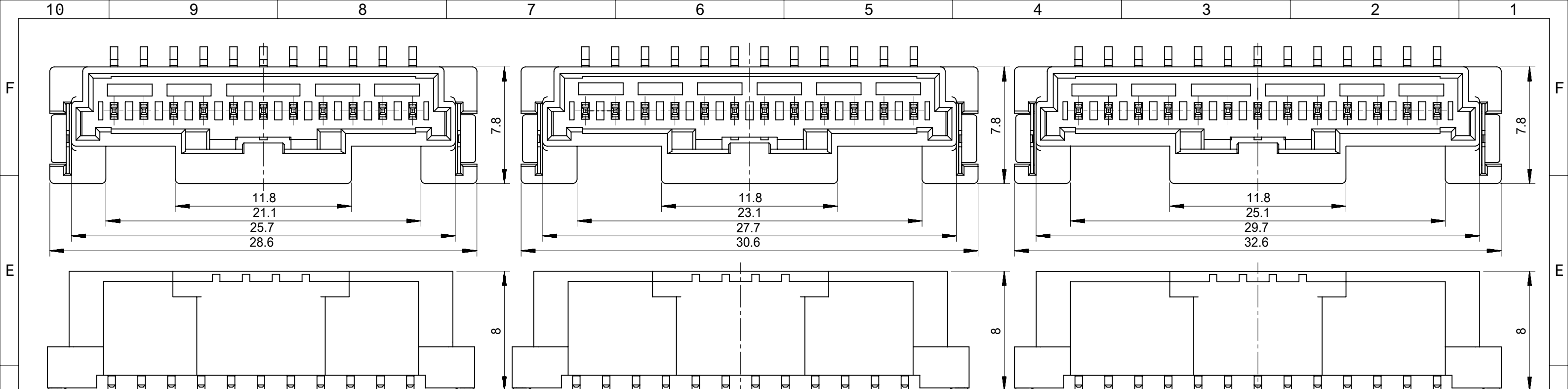
7CKTS

9CKTS

10CKTS

INITIAL REVISION:
 DRWN SHSHIBATA 2009/02/18
 CHECK HKOMATSU 2009/02/18
 APPR AKANESHIGE 2009/02/18

FUNCTIONAL SYMBOLS FA = 0 FB = 0 FC = 0	THIS DRAWING CONTAINS INFORMATION THAT IS PROPRIETARY TO MOLEX ELECTRONIC TECHNOLOGIES, LLC AND SHOULD NOT BE USED WITHOUT WRITTEN PERMISSION	SCALE 4:1		CURRENT REV DESC:	
	DIMENSION UNITS mm	GENERAL TOLERANCES (UNLESS SPECIFIED)		EC NO: 635305	
DIVISIONAL SYMBOLS		MM	INCH	DRWN: MUNEMOTO 2020/04/02	
	4 PLACES ±			CHK'D: HIJIMA 2020/04/03	
	3 PLACES ±			APPR: TOSADA 2020/04/06	
	2 PLACES ±			INITIAL REVISION:	
	1 PLACE ±			DRWN: DRAWN BY 0099/99/99	
	0 PLACES ±			APPR: APPR BY 0099/99/99	
	ANGULAR TOL ± °			THIRD ANGLE PROJECTION	
	DRAFT WHERE APPLICABLE MUST REMAIN WITHIN DIMENSIONS			DRAWING A3-SIZE	SHEET NUMBER 2 OF 4
		SERIES 560020		MATERIAL NUMBER GENERAL MARKET	
		CUSTOMER GENERAL MARKET		DOCUMENT NUMBER SD-560020-001	
				DOC TYPE PSD	
				DOC PART 001	
				REVISION K	



INITIAL REVISION:
 DRWN SHSHIBATA 2009/02/18
 CHECK HKOMATSU 2009/02/18
 APPR AKANESHIGE 2009/02/18

FUNCTIONAL SYMBOLS FA = 0 FB = 0 FP = 0	THIS DRAWING CONTAINS INFORMATION THAT IS PROPRIETARY TO MOLEX ELECTRONIC TECHNOLOGIES, LLC AND SHOULD NOT BE USED WITHOUT WRITTEN PERMISSION		CURRENT REV DESC:		
	DIMENSION UNITS: mm SCALE: 4:1 GENERAL TOLERANCES (UNLESS SPECIFIED): 4 PLACES: ± MM INCH 3 PLACES: ± MM INCH 2 PLACES: ± MM INCH 1 PLACE: ± MM INCH 0 PLACES: ± MM INCH ANGULAR TOL: ± °		EC NO: 635305 DRWN: MUNEMOTO 2020/04/02 CHK'D: HIJIMA 2020/04/03 APPR: TOSADA 2020/04/06		
DIVISIONAL SYMBOLS	DRAFT WHERE APPLICABLE MUST REMAIN WITHIN DIMENSIONS		THIRD ANGLE PROJECTION	DRAWING: A3-SIZE	SERIES: 560020
PRODUCT CUSTOMER DRAWING DOCUMENT NUMBER: SD-560020-001 DOC TYPE: PSD DOC PART: 001 REVISION: K			MATERIAL NUMBER: 0099/99/99 CUSTOMER: GENERAL MARKET SHEET NUMBER: 3 OF 4		

Sn NATURAL	11.8	29.1	33.7	36.6	560020-1520	15
	11.8	27.1	31.7	34.6	560020-1420	14
	11.8	25.1	29.7	32.6	560020-1320	13
	11.8	23.1	27.7	30.6	560020-1220	12
	11.8	21.1	25.7	28.6	560020-1120	11
	11.8	19.1	23.7	26.6	560020-1020	10
	11.8	17.1	21.7	24.6	560020-0920	9
	11.8	15.1	19.7	22.6	560020-0820	8
	11.8	13.1	17.7	20.6	560020-0720	7
	11.8	12	15.7	18.6	560020-0620	6
	9.8	10	13.7	16.6	560020-0520	5
	7.8	8	11.7	14.6	560020-0420	4
	5.8	6	9.7	12.6	560020-0320	3
	6.3	/	8.0	10.9	560020-0220	2
PLATING COLOR	D	C	B	A	EMBOSSED PACKAGE ORDER NO.	CKTS
CONNECTOR SERIES NO. 560020-**08						

Au NATURAL	11.8	29.1	33.7	36.6	560020-1530	15
	11.8	27.1	31.7	34.6	560020-1430	14
	11.8	25.1	29.7	32.6	560020-1330	13
	11.8	23.1	27.7	30.6	560020-1230	12
	11.8	21.1	25.7	28.6	560020-1130	11
	11.8	19.1	23.7	26.6	560020-1030	10
	11.8	17.1	21.7	24.6	560020-0930	9
	11.8	15.1	19.7	22.6	560020-0830	8
	11.8	13.1	17.7	20.6	560020-0730	7
	11.8	12	15.7	18.6	560020-0630	6
	9.8	10	13.7	16.6	560020-0530	5
	7.8	8	11.7	14.6	560020-0430	4
	5.8	6	9.7	12.6	560020-0330	3
	6.3	/	8.0	10.9	560020-0230	2
PLATING COLOR	D	C	B	A	EMBOSSED PACKAGE ORDER NO.	CKTS
CONNECTOR SERIES NO. 560020-**18						

Sn BLACK	11.8	29.1	33.7	36.6	560020-1521	15
	11.8	27.1	31.7	34.6	560020-1421	14
	11.8	25.1	29.7	32.6	560020-1321	13
	11.8	23.1	27.7	30.6	560020-1221	12
	11.8	21.1	25.7	28.6	560020-1121	11
	11.8	19.1	23.7	26.6	560020-1021	10
	11.8	17.1	21.7	24.6	560020-0921	9
	11.8	15.1	19.7	22.6	560020-0821	8
	11.8	13.1	17.7	20.6	560020-0721	7
	11.8	12	15.7	18.6	560020-0621	6
	9.8	10	13.7	16.6	560020-0521	5
	7.8	8	11.7	14.6	560020-0421	4
	5.8	6	9.7	12.6	560020-0321	3
	6.3	/	8.0	10.9	560020-0221	2
PLATING COLOR	D	C	B	A	EMBOSSED PACKAGE ORDER NO.	CKTS
CONNECTOR SERIES NO. 560020-**28						

Sn RED	/	/	/	/	/	15
	/	/	/	/	/	14
	/	/	/	/	/	13
	/	/	/	/	/	12
	/	/	/	/	/	11
	/	/	/	/	/	10
	/	/	/	/	/	9
	11.8	15.1	19.7	22.6	560020-0822	8
	/	/	/	/	/	7
	11.8	12	15.7	18.6	560020-0622	6
	/	/	/	/	/	5
	7.8	8	11.7	14.6	560020-0422	4
	5.8	6	9.7	12.6	560020-0322	3
	6.3	/	8.0	10.9	560020-0222	2
PLATING COLOR	D	C	B	A	EMBOSSED PACKAGE ORDER NO.	CKTS
CONNECTOR SERIES NO. 560020-**48						

Sn BLUE	/	/	/	/	/	15
	/	/	/	/	/	14
	/	/	/	/	/	13
	/	/	/	/	/	12
	/	/	/	/	/	11
	/	/	/	/	/	10
	/	/	/	/	/	9
	11.8	15.1	19.7	22.6	560020-0823	8
	/	/	/	/	/	7
	11.8	12	15.7	18.6	560020-0623	6
	/	/	/	/	/	5
	7.8	8	11.7	14.6	560020-0423	4
	5.8	6	9.7	12.6	560020-0323	3
	6.3	/	8.0	10.9	560020-0223	2
PLATING COLOR	D	C	B	A	EMBOSSED PACKAGE ORDER NO.	CKTS
CONNECTOR SERIES NO. 560020-**68						

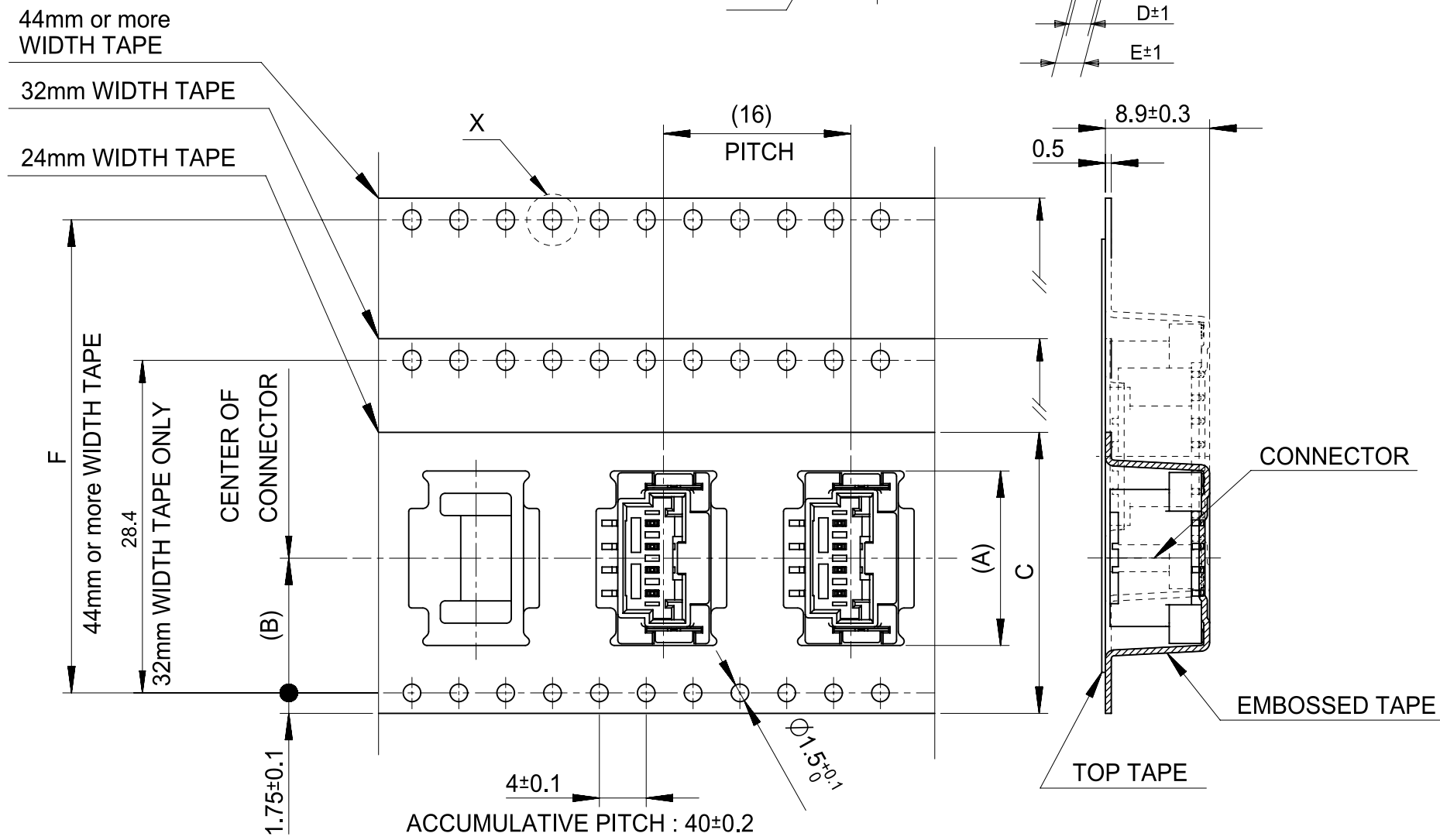
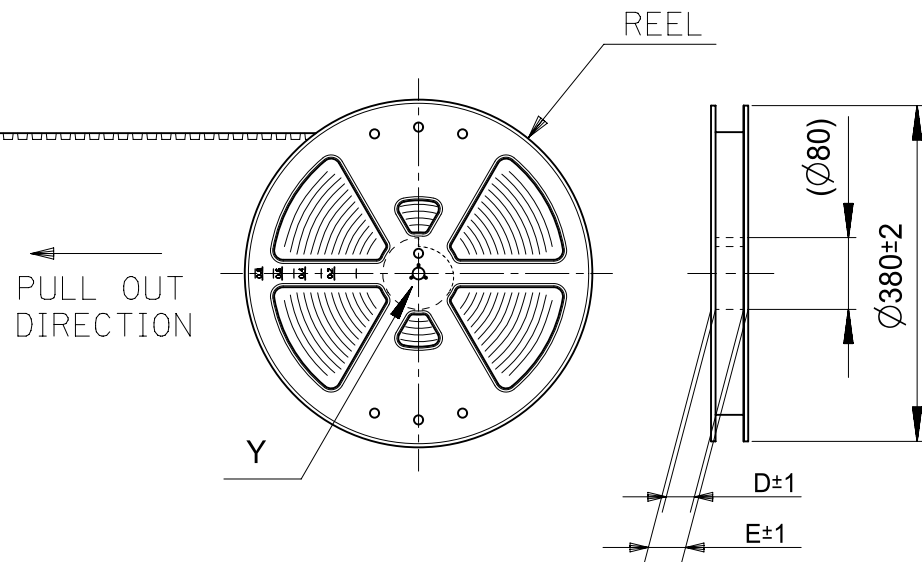
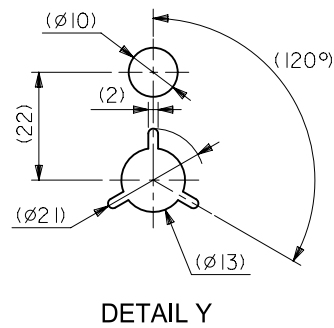
INITIAL REVISION:
 DRWN SHSHIBATA 2009/02/18
 CHECK HKOMATSU 2009/02/18
 APPR AKANESHIGE 2009/02/18

FUNCTIONAL SYMBOLS		THIS DRAWING CONTAINS INFORMATION THAT IS PROPRIETARY TO MOLEX ELECTRONIC TECHNOLOGIES, LLC AND SHOULD NOT BE USED WITHOUT WRITTEN PERMISSION	
FA=0	mm	SCALE 1:1	CURRENT REV DESC:
FE=0	GENERAL TOLERANCES (UNLESS SPECIFIED)		
FP=0	MM INCH		
DIVISIONAL SYMBOLS		4 PLACES ±	EC NO: 635305
		3 PLACES ±	DRWN: MUNEMOTO 2020/04/02
		2 PLACES ±	CHK'D: HIJIMA 2020/04/03
		1 PLACE ±	APPR: TOSADA 2020/04/06
		0 PLACES ±	INITIAL REVISION:
		ANGULAR TOL ± °	DRWN: DRAWN BY 0099/99/99
DRAFT WHERE APPLICABLE MUST REMAIN WITHIN DIMENSIONS		THIRD ANGLE PROJECTION	APPR: APPR BY 0099/99/99
		DRAWING A3-SIZE	SERIES 560020
		MATERIAL NUMBER	CUSTOMER GENERAL MARKET
		DOCUMENT NUMBER SD-560020-001	DOC TYPE PSD
		DOC PART 001	REVISION K
		SHEET NUMBER 4 OF 4	



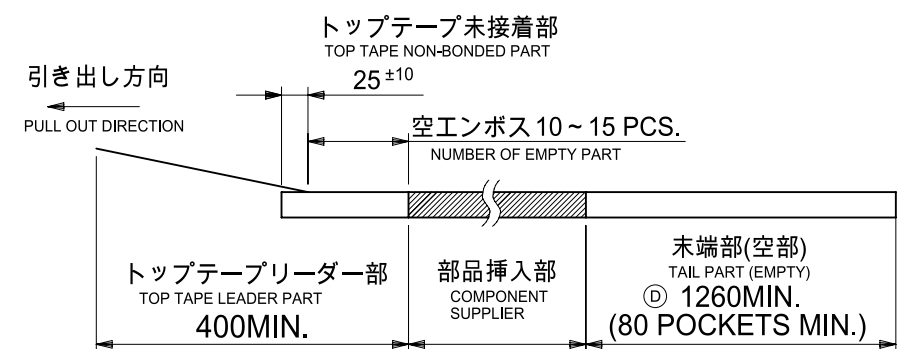
2.0MM PITCH W/B CONN.
 WAFER ASSY ST. SMT

PRODUCT CUSTOMER DRAWING

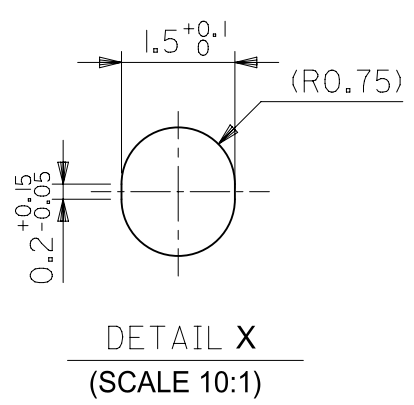


NOTES

- 製品番号 :
 ナチュラル・錫めっき 560020-**20
 ナチュラル・金めっき 560020-**30
 黒・錫めっき 560020-**21
 赤・錫めっき 560020-**22
 青・錫めっき 560020-**23
 詳細寸法については、製品単体図面を参照ください。
 PART NO.
 NATURAL・Sn Plating 560020-**20
 NATURAL・Au Plating 560020-**30
 BLACK・Sn Plating 560020-**21
 RED・Sn Plating 560020-**22
 BLUE・Sn Plating 560020-**23
 SEE SALES DRAWING FOR CONNECTOR
- 梱包数量 : 650個/REEL
 NUMBER OF CONNECTORS 650 PCS/REEL
- リードテープ長さ
 LEAD TAPE LENGTH



- 材料
 MATERIAL
 キャリアテープ : ポリスチレン
 CARRIER TAPE: POLYSTYRENE
 トップテープ : PET, PE, PEF
 TOP TAPE: PET, PE, PEF
 リール : ポリスチレン
 REEL: POLYSTYRENE
- 一般公差
 GENERAL TOLERANCES
 10 UNDER: ±0.2
 10 OVER 30 UNDER: ±0.25
 30 OVER: ±0.3
 ANGULAR: ±1°



FUNCTIONAL SYMBOLS	THIS DRAWING CONTAINS INFORMATION THAT IS PROPRIETARY TO MOLEX ELECTRONIC TECHNOLOGIES, LLC AND SHOULD NOT BE USED WITHOUT WRITTEN PERMISSION		CURRENT REV DESC:		molex	
	FA = 0	mm NTS				
DIVISIONAL SYMBOLS	GENERAL TOLERANCES (UNLESS SPECIFIED)		PHASE:		2.0MM PITCH W/B ST. WAFER ASSY EMBOSSED TAPE PACKAGE	
	FB = 0	MM INCH	CO NO:		PRODUCT SALES DRAWING	
DIVISIONAL SYMBOLS	FC = 0	4 PLACES ±	DRWN: Hideo Yoneyama 2023-10-23		DOCUMENT NUMBER	
		3 PLACES ±	CHK'D: Hiromichi Komatsu 2023-10-23		DOC TYPE	
		2 PLACES ±	APPR: Takashi Iida 2023-10-24		DOC PART	
		1 PLACE ±	INITIAL REVISION:		REVISION	
	0 PLACES ±	DRWN: YTAMAKI 2014/05/23		SD-560020-003		
	ANGULAR TOL ± 0.5°	APPR: MAYAMAMOTO 2014/06/30		PSD 001 F2		
DRAFT WHERE APPLICABLE MUST REMAIN WITHIN DIMENSIONS		THIRD ANGLE PROJECTION	DRAWING	SERIES	MATERIAL NUMBER	CUSTOMER
			A3-SIZE	560020	SEE CHART	GENERAL MARKET
						SHEET NUMBER
						1 OF 2

Sn NATURAL	52.4	61.4	57.4	56	26.2	36.9	560020-1520	15
						34.9	560020-1420	14
						32.9	560020-1320	13
	40.4	49.4	45.4	44	20.2	30.9	560020-1220	12
						28.9	560020-1120	11
						26.9	560020-1020	10
						24.9	560020-0920	09
						22.9	560020-0820	08
						20.9	560020-0720	07
	28.4	37.4	33.4	32	14.2	18.9	560020-0620	06
						16.9	560020-0520	05
	/	29.4	25.4	24	11.5	14.9	560020-0420	04
						12.9	560020-0320	03
						11.2	560020-0220	02
	PLATING COLOR	F	E	D	C	(B)	(A)	エンボス梱包品 製品番号 EMBOSSED PACKAGE MATERIAL NO.

Au NATURAL	52.4	61.4	57.4	56	26.2	36.9	560020-1530	15
						34.9	560020-1430	14
						32.9	560020-1330	13
	40.4	49.4	45.4	44	20.2	30.9	560020-1230	12
						28.9	560020-1130	11
						26.9	560020-1030	10
						24.9	560020-0930	09
						22.9	560020-0830	08
						20.9	560020-0730	07
	28.4	37.4	33.4	32	14.2	18.9	560020-0630	06
						16.9	560020-0530	05
	/	29.4	25.4	24	11.5	14.9	560020-0430	04
						12.9	560020-0330	03
						11.2	560020-0230	02
	PLATING COLOR	F	E	D	C	(B)	(A)	エンボス梱包品 製品番号 EMBOSSED PACKAGE MATERIAL NO.

Sn BLACK	52.4	61.4	57.4	56	26.2	36.9	560020-1521	15
						34.9	560020-1421	14
						32.9	560020-1321	13
	40.4	49.4	45.4	44	20.2	30.9	560020-1221	12
						28.9	560020-1121	11
						26.9	560020-1021	10
						24.9	560020-0921	09
						22.9	560020-0821	08
						20.9	560020-0721	07
	28.4	37.4	33.4	32	14.2	18.9	560020-0621	06
						16.9	560020-0521	05
	/	29.4	25.4	24	11.5	14.9	560020-0421	04
						12.9	560020-0321	03
						11.2	560020-0221	02
	PLATING COLOR	F	E	D	C	(B)	(A)	エンボス梱包品 製品番号 EMBOSSED PACKAGE MATERIAL NO.

Sn RED	/	/	/	/	/	15		
						14		
						13		
	40.4	49.4	45.4	44	20.2	12		
						11		
						10		
						9		
						8	22.9	560020-0822
						7		
	28.4	37.4	33.4	32	14.2	6	18.9	560020-0622
						5		
	/	29.4	25.4	24	11.5	4	14.9	560020-0422
						3	12.9	560020-0322
						2	11.2	560020-0222
	PLATING COLOR	F	E	D	C	(B)	(A)	エンボス梱包品 製品番号 EMBOSSED PACKAGE MATERIAL NO.

Sn BLUE	/	/	/	/	/	15		
						14		
						13		
	40.4	49.4	45.4	44	20.2	12		
						11		
						10		
						9		
						8	22.9	560020-0823
						7		
	28.4	37.4	33.4	32	14.2	6	18.9	560020-0623
						5		
	/	29.4	25.4	24	11.5	4	14.9	560020-0423
						3	12.9	560020-0323
						2	11.2	560020-0223
	PLATING COLOR	F	E	D	C	(B)	(A)	エンボス梱包品 製品番号 EMBOSSED PACKAGE MATERIAL NO.

FUNCTIONAL SYMBOLS	THIS DRAWING CONTAINS INFORMATION THAT IS PROPRIETARY TO MOLEX ELECTRONIC TECHNOLOGIES, LLC AND SHOULD NOT BE USED WITHOUT WRITTEN PERMISSION		CURRENT REV DESC:		molex
$\nabla_A = 0$ $\nabla_F = 0$ $\nabla_P = 0$	DIMENSION UNITS	SCALE	PHASE:		
	mm	NTS	CO NO:		PRODUCT SALES DRAWING
	GENERAL TOLERANCES (UNLESS SPECIFIED)		DRWN: Hideo Yoneyama 2023-10-23		
	MM INCH		CHK'D: Hiromichi Komatsu 2023-10-23		DOCUMENT NUMBER
	4 PLACES ±		APPR: Takashi Iida 2023-10-24		
	3 PLACES ±		INITIAL REVISION:		DOC TYPE
	2 PLACES ±		DRWN: YTAMAKI 2014/05/23		DOC PART
	1 PLACE ±		APPR: MAYAMAMOTO 2014/06/30		REVISION
	0 PLACES ±				F2
	ANGULAR TOL ± 0.5°		DRAFT WHERE APPLICABLE MUST REMAIN WITHIN DIMENSIONS		
	THIRD ANGLE PROJECTION		DRAWING	SERIES	MATERIAL NUMBER
			A3-SIZE	560020	SEE CHART
			CUSTOMER	GENERAL MARKET	
			SHEET NUMBER		2 OF 2