

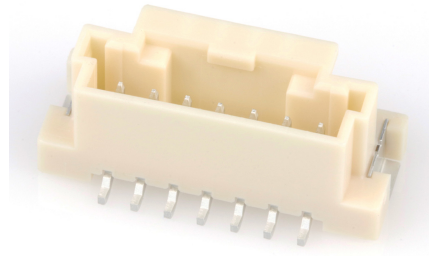
产品编号 : [5600200720](#)

Product Description : DuraClik Wire-to-Board Header, Single Row, Vertical, 7 Circuits, Tin (Sn) Over Nickel, Natural

系列号 : 560020

状态 : Active

Product Category : PCB Headers and Receptacles



---

## 文件和资源

### 图纸

[图纸 5600200720\\_sd.pdf](#)

### 3D 模型和设计文件

[3D模型 5600200720\\_stp.zip](#)


### 规格

[产品规格 PS-502351-001-001.pdf](#)

---

## 产物环境合规

### 合规

|                    |   |
|--------------------|---|
| GADSL/IMDS         | Compliant with Exemption 44; 33   |
| China RoHS         |  |
| EU ELV             | Compliant per 2000/53/EC  |
| Low-Halogen Status | Not Low-Halogen per IEC 61249-2-21  |
| REACH SVHC         | Not Contained per D(2023)3788-DC (14 Jun 2023)  |
| EU RoHS            | Compliant per EU 2015/863   |

### 多部分产品合规性声明

- Eu RoHS
- REACH SVHC
- Low-Halogen

### 多部分行业合规性文件

- IPC 1752A Class C
- IPC 1752A Class D

- Molex Product Compliance Declaration

- IEC-62474

- chemSHERPA (xml)

欧盟 RoHS 合格证书

---

## 产品详情

### 常规

|      |  |
|------|--|
| 状态   | 活动   |
| 类别   | PCB Headers and Receptacles  |
| 系列   | 560020   |
| 说明   | DuraClik Wire-to-Board Header, Single Row, Vertical, 7 Circuits, Tin (Sn) Over Nickel, Natural   |
| 应用   | Automotive, Signal, Wire-to-Board  |
| 个评论  | The Operating Temperature Range when used with DuraClik series 502351 is -40° C to +105° C. It is -40° C to 125° C when used with DuraClik ISL series 560123 or TPA series 505151. |
| 元件类型 | PCB Header   |
| 产品系列 | DuraClik Connector System  |
| 产品名称 | DuraClik   |
| UPC  | 887191747330   |

### 机构

|    |        |
|----|--------|
| UL | E29179 |
|----|--------|

### 电气

|         |                  |
|---------|------------------|
| 每触点最大电流 | 3.0A             |
| 电压 - 最大 | 125V AC (RMS)/DC |

### 物理

|                  |         |
|------------------|---------|
| 断开               | 否       |
| 回路数 (已载入)        | 7       |
| 电路数 (最多)         | 7       |
| 颜色-树脂            | Natural |
| 耐用性(插拔次数) - 最多次数 | 30      |

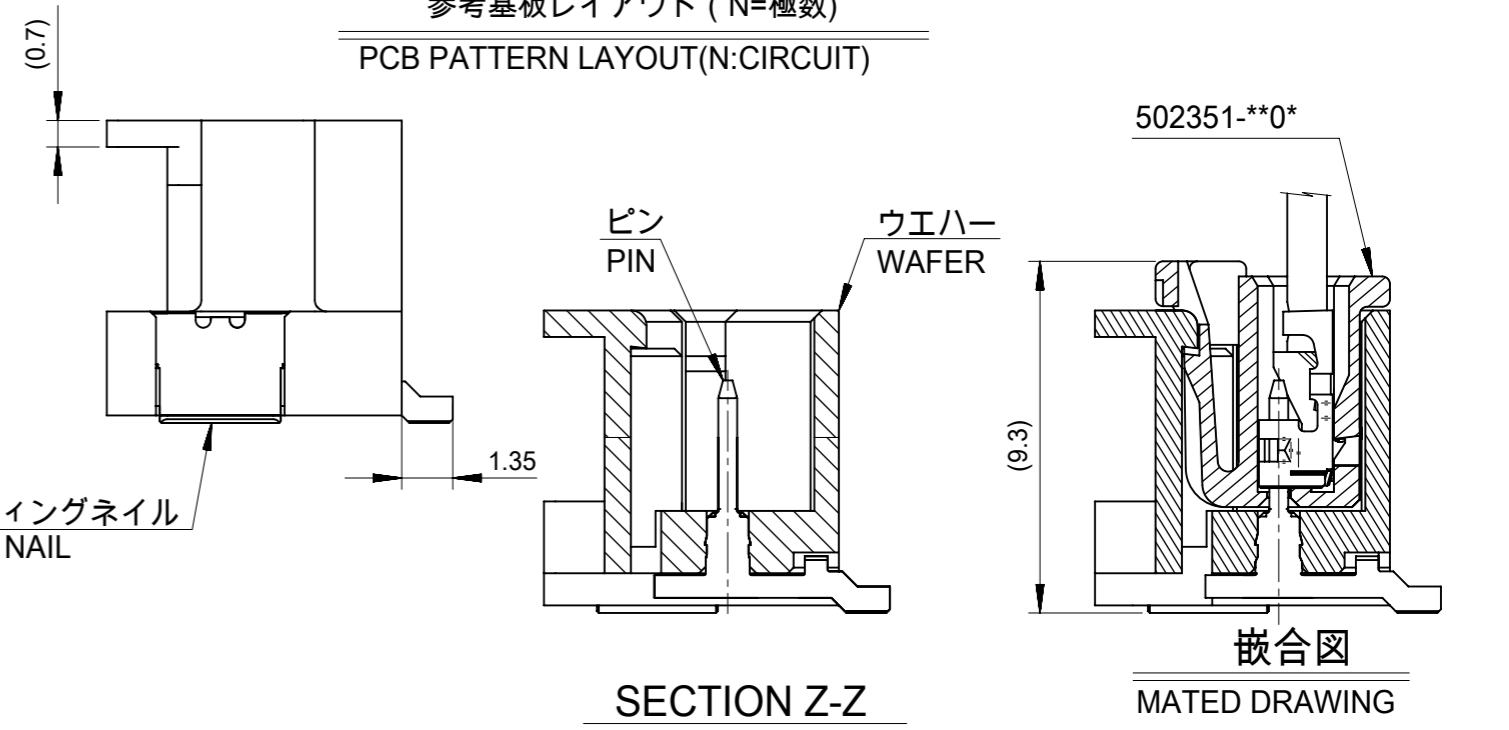
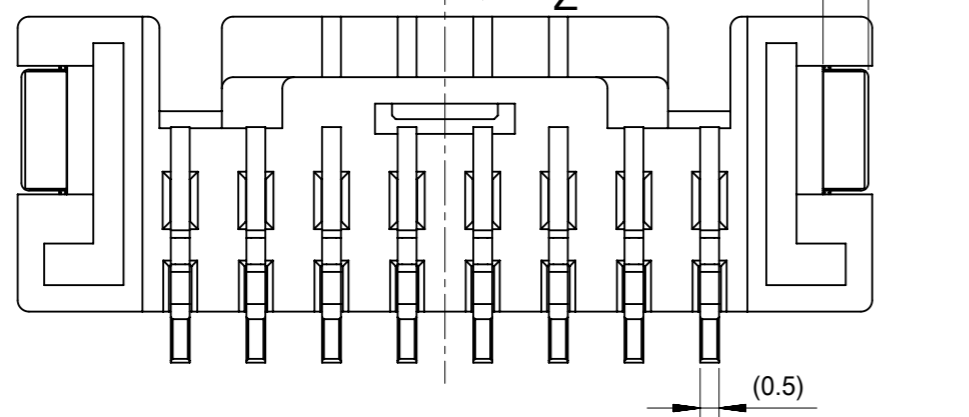
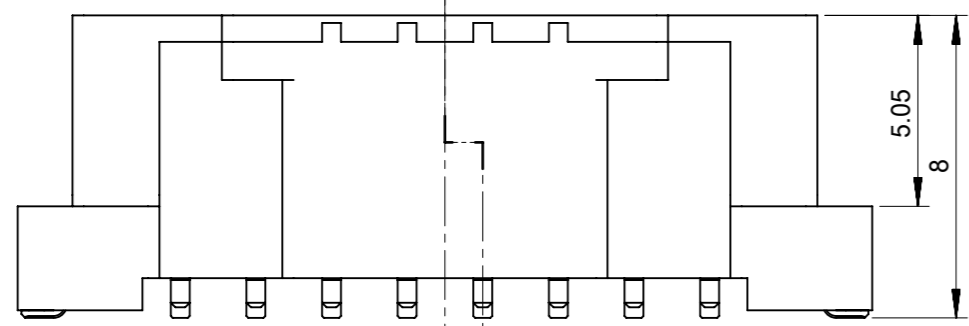
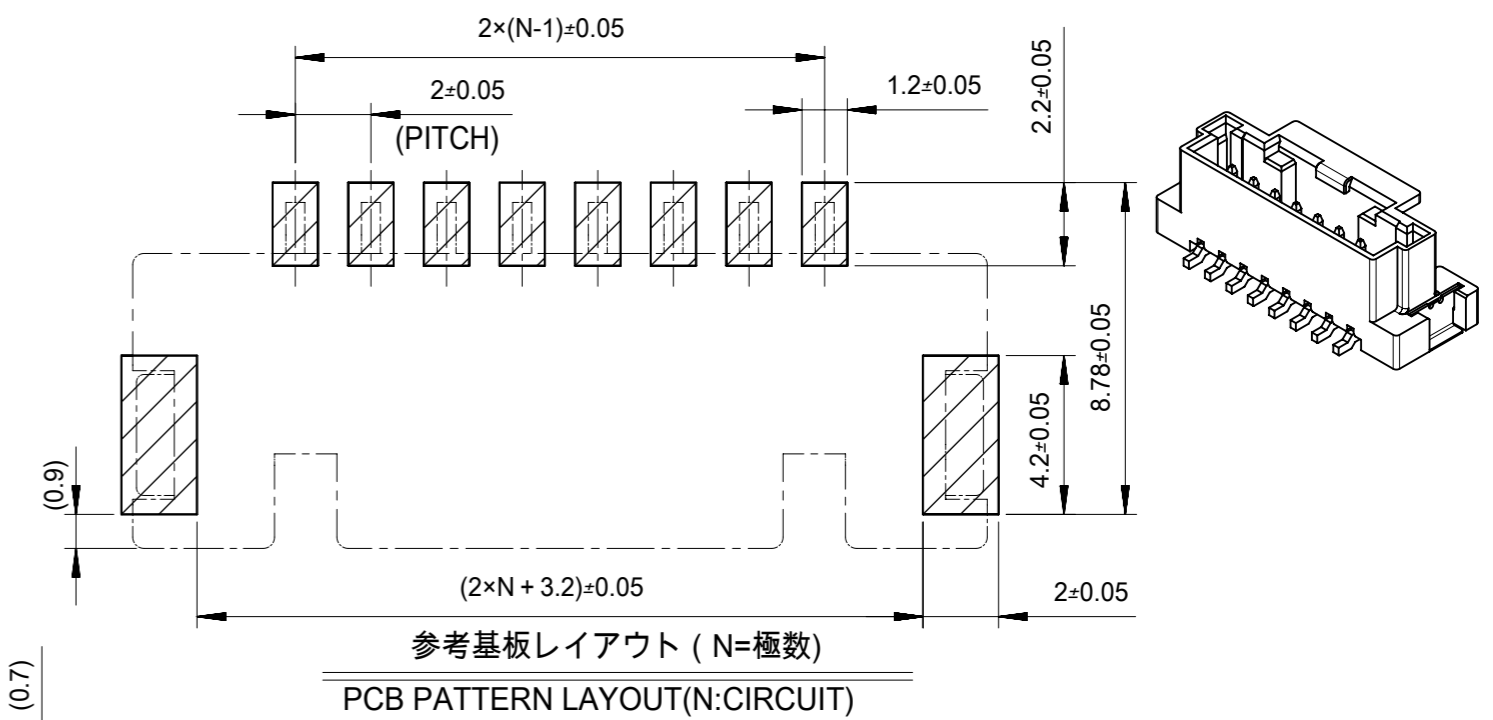
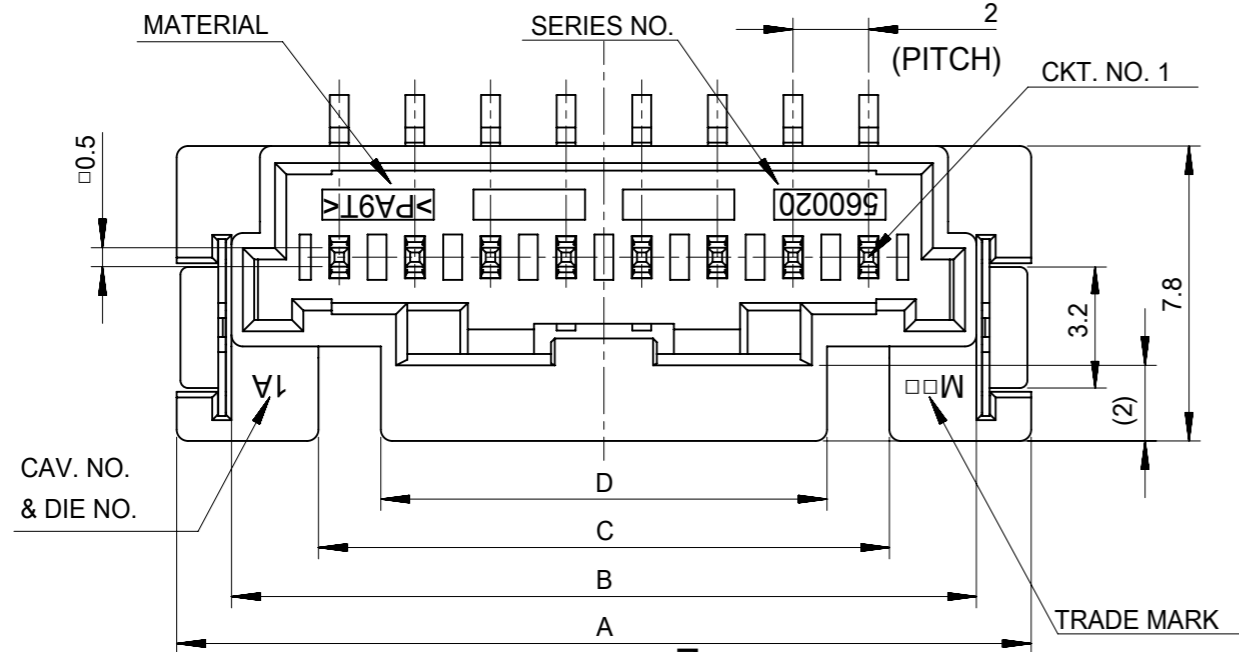
|             |                                  |
|-------------|----------------------------------|
| 先接后断        | 否                                |
| 阻燃性         | SC-0                             |
| 符合灼热丝规范     | 否                                |
| 插接极性        | 无                                |
| 锁定插接部位      | 是                                |
| 材料 - 金属     | Copper Alloy                     |
| 材料 - 接合部位电镀 | Tin                              |
| 材料 - 树脂     | Polyamide                        |
| 净重          | 0.800/g                          |
| 行数          | 1                                |
| 方向          | 垂直                               |
| 包装形式        | Embossed Tape on Reel            |
| PCB 定位器     | 否                                |
| PCB 保持力     | 是                                |
| 间距 - 插配接口   | 2.00mm                           |
| 有极性的插配件     | 是                                |
| PCB 极性      | 是                                |
| 可堆叠的        | 否                                |
| 运行温度范围      | -40° to +105° C, -40° to +125° C |
| 终端界面类型      | Surface Mount                    |

---

## 可配插/可连接使用的产品

### 可配插部件

| 描述  | 产品编号          |
|---|---------------|
| DuraClik Single Row Receptacle Housings     | <u>502351</u> |
| DuraClik TPA Single Row Receptacle Housings | <u>505151</u> |
| DuraClik ISL Single Row Receptacle Housings | <u>560123</u> |



注記  
NOTES

- 材質  
ウエハー: 耐熱性ナイロン UL94V-0  
ピン: 銅合金、ニッケル下地、錫メッキ、金メッキ  
フィッティングネール: 銅合金、ニッケル下地、錫メッキ  
MATERIAL  
WAFER: POLYAMIDE UL94V-0  
PIN: COPPER ALLOY, GOLD OR TIN OVER NICKEL PLATE.  
FITTING NAIL: COPPER ALLOY, TIN OVER NICKEL PLATE.
- 色: ナチュラル、黒、赤、青  
COLOR: NATURAL, BLACK, RED, BLUE
- 嵌合相手:  
ハウジング: 502351-\*\*0\*  
錫メッキ端子: 50212-8\*00, 50372-8\*00, 560085-0101  
金メッキ端子: 56161-8\*81  
MATES WITH  
HOUSING: 502351-\*\*0\*  
SN PLATING TERMINAL: 50212-8\*00, 50372-8\*00, 560085-0101  
AU PLATING TERMINAL: 56161-8\*81

- インボス梱包品の詳細はSD-560020-002参照  
DETAILED TAPING PACKAGE, SEE SD-560020-002
- 半田付け面のコプラナリティ: 0.1mm MAX.  
CO-PLANARITY OF SOLDER TAILS TO BE 0.1mm MAX.
- 一般公差  
GENERAL TOLERANCES  
10 UNDER: ±0.2  
10 OVER 30 UNDER: ±0.25  
30 OVER: ±0.3  
ANGULAR: ±1°

INITIAL REVISION:

|       |            |            |
|-------|------------|------------|
| DRWN  | SHSHIBATA  | 2009/02/18 |
| CHECK | HKOMATSU   | 2009/02/18 |
| APPR  | AKANESHIGE | 2009/02/18 |

|  |   |                        |              |            |   |
|--|---|------------------------|--------------|------------|---|
| FUNCTIONAL SYMBOLS                                   | THIS DRAWING CONTAINS INFORMATION THAT IS PROPRIETARY TO MOLEX ELECTRONIC TECHNOLOGIES, LLC AND SHOULD NOT BE USED WITHOUT WRITTEN PERMISSION |                        | SCALE        |            | CURRENT REV DESC:   |
|  | mm  | 5:1                    |              |            |   |
| DIVISIONAL SYMBOLS                                   | GENERAL TOLERANCES (UNLESS SPECIFIED)   |                        |              |            | EC NO: 635305<br>DRWN: MUNEMOTO 2020/04/02<br>CHK'D: HIJIMA 2020/04/03<br>APPR: TOSADA 2020/04/06 |
|  | 4 PLACES  | ±                      | MM           | INCH       |   |
| FUNCTIONAL SYMBOLS                                   | 3 PLACES  | ±                      |              |            | INITIAL REVISION:<br>DRWN: DRAWN BY 0099/99/99<br>APPR: APPR BY 0099/99/99                        |
|  | 2 PLACES  | ±                      |              |            |   |
|  | 1 PLACE   | ±                      |              |            |   |
|  | 0 PLACES  | ±                      |              |            |   |
|  | ANGULAR TOL   | ±                      | °            |            |   |
| DRAFT WHERE APPLICABLE MUST REMAIN WITHIN DIMENSIONS |   | THIRD ANGLE PROJECTION |              | DRAWING    | SERIES  |
|  |   | A3-SIZE                |              | 560020     |   |
| DOCUMENT STATUS                                      |   | P1                     | RELEASE DATE | 2020/04/06 | 00:33:42  |

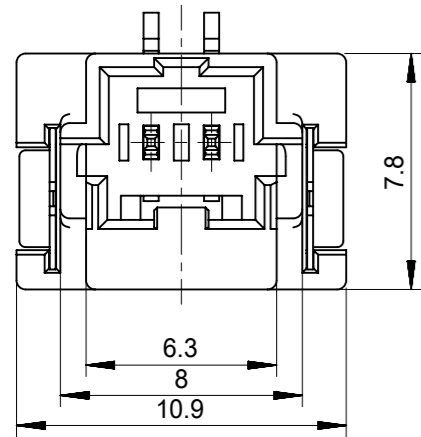
**molex**

2.0MM PITCH W/B CONN.  
WAFER ASSY ST. SMT

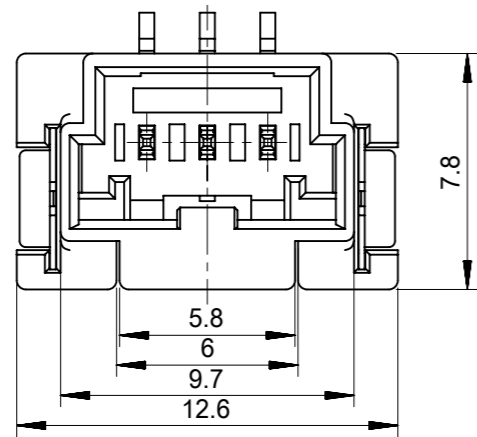
PRODUCT CUSTOMER DRAWING

|                 |          |          |          |
|-----------------|----------|----------|----------|
| DOCUMENT NUMBER | DOC TYPE | DOC PART | REVISION |
| SD-560020-001   | PSD      | 001      | K        |

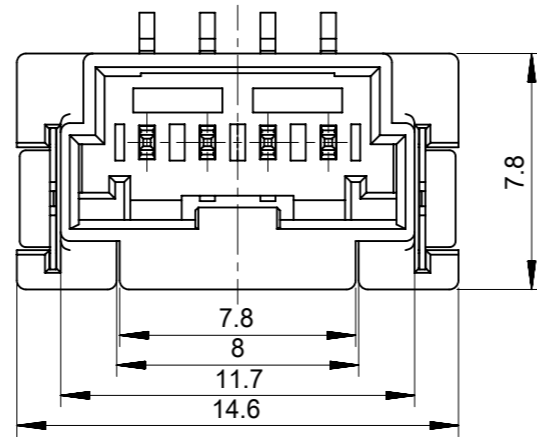
MATERIAL NUMBER: GENERAL MARKET  
CUSTOMER: GENERAL MARKET  
SHEET NUMBER: 1 OF 4



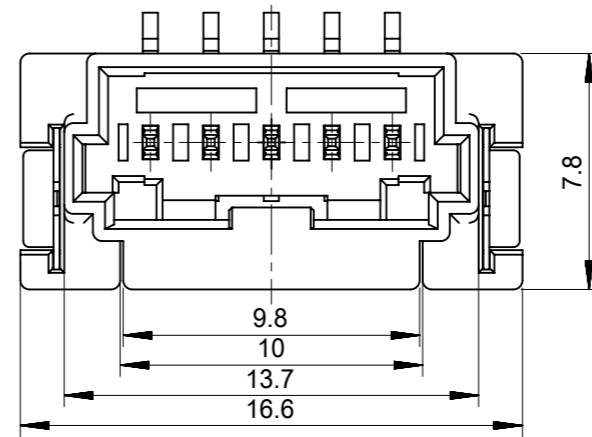
2CKTS



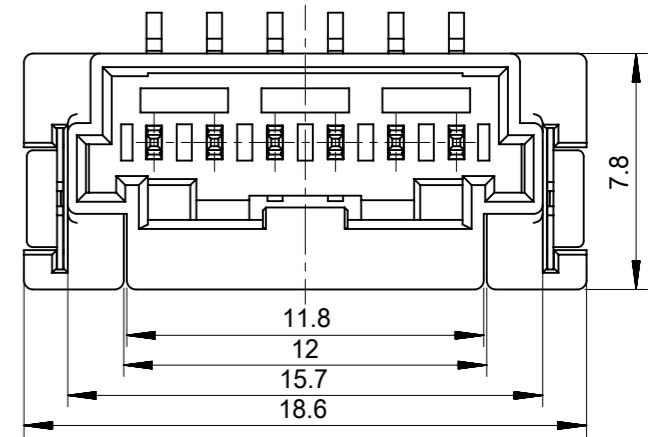
3CKTS



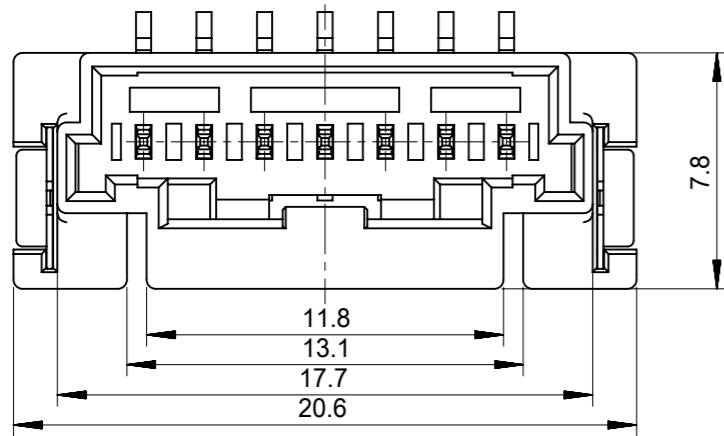
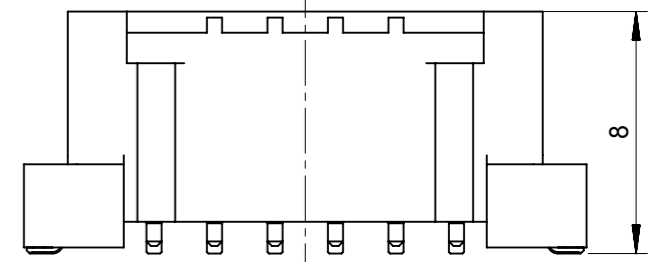
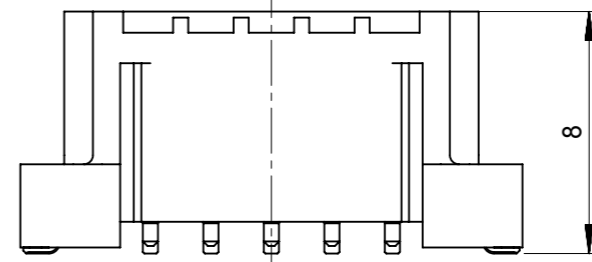
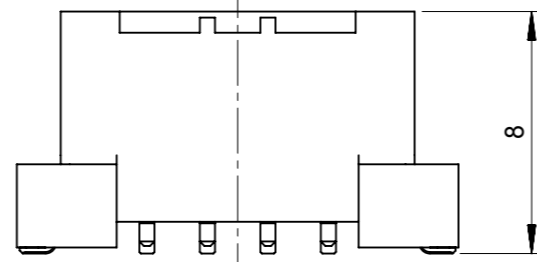
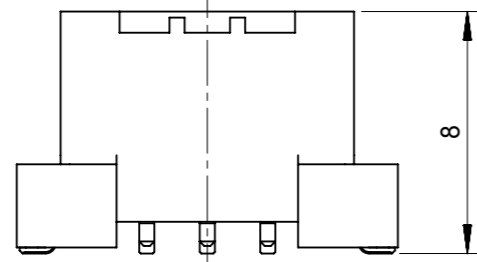
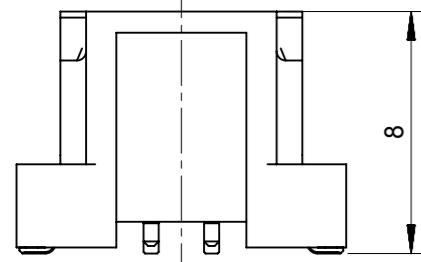
4CKTS



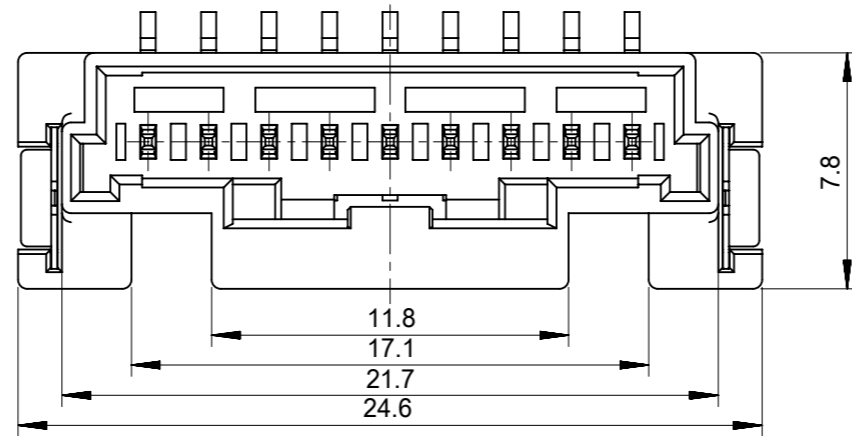
5CKTS



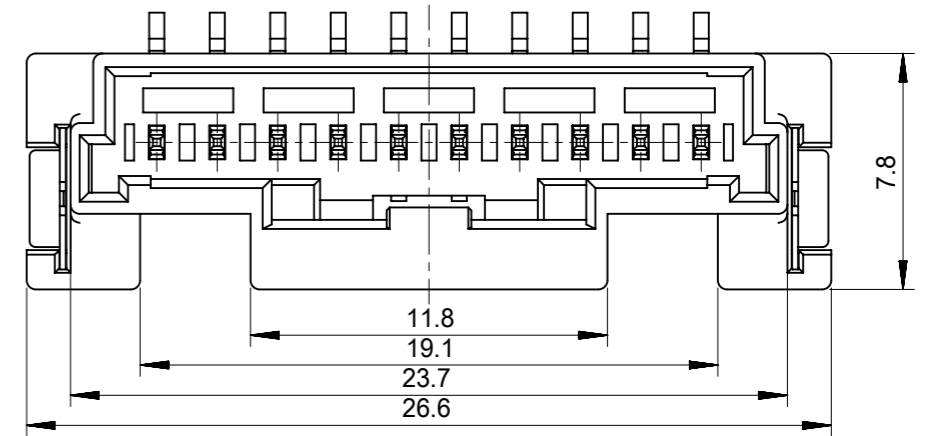
6CKTS



7CKTS



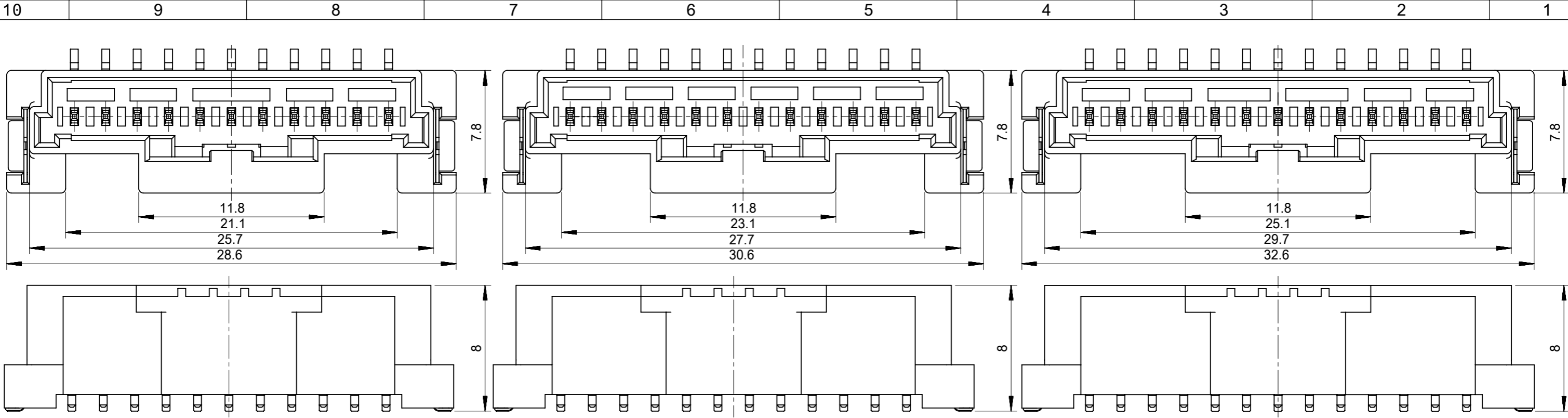
9CKTS



10CKTS

INITIAL REVISION:  
 DRWN SHSHIBATA 2009/02/18  
 CHECK HKOMATSU 2009/02/18  
 APPR AKANESHIGE 2009/02/18

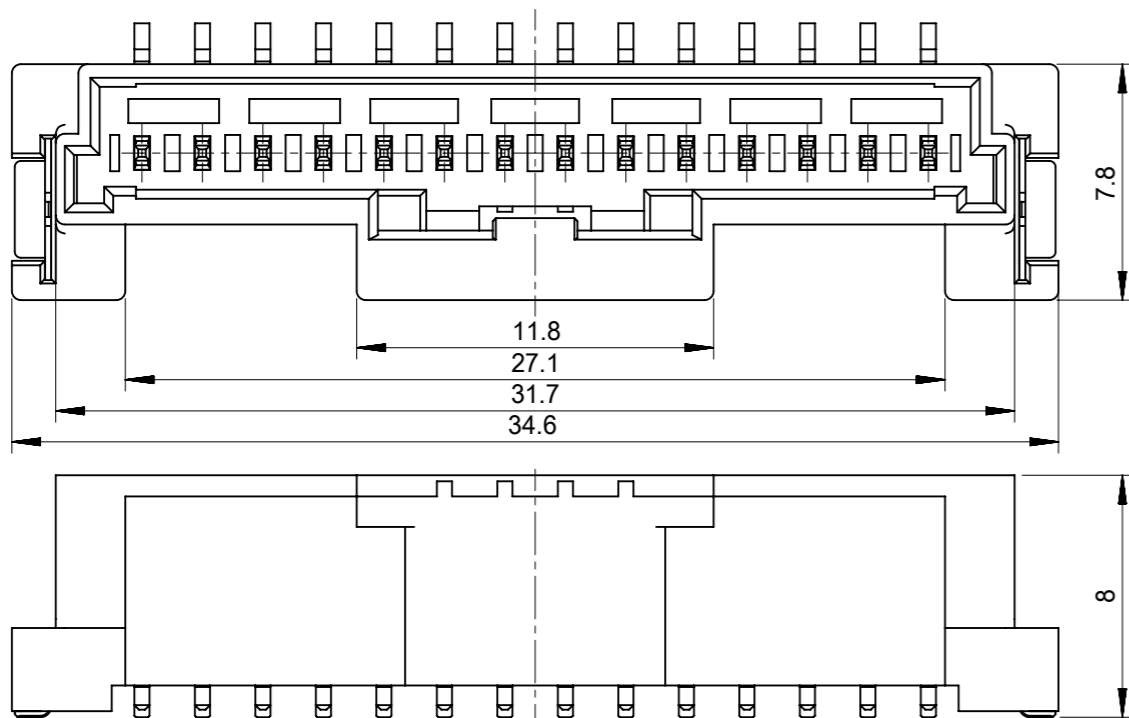
|  |   |  |   |                         |                          |
|--|---|--|---|-------------------------|--------------------------|
| FUNCTIONAL SYMBOLS<br>FA = 0<br>FB = 0<br>FC = 0 | THIS DRAWING CONTAINS INFORMATION THAT IS PROPRIETARY TO MOLEX ELECTRONIC TECHNOLOGIES, LLC AND SHOULD NOT BE USED WITHOUT WRITTEN PERMISSION |  | CURRENT REV DESC:   |                         |                          |
|  | DIMENSION UNITS<br>mm   | SCALE<br>4:1   | EC NO: 635305<br>DRWN: MUNEMOTO 2020/04/02<br>CHK'D: HIJIMA 2020/04/03<br>APPR: TOSADA 2020/04/06 |                         |                          |
| DIVISIONAL SYMBOLS                               | GENERAL TOLERANCES (UNLESS SPECIFIED)   |  | INITIAL REVISION:   |                         | PRODUCT CUSTOMER DRAWING |
|  | 4 PLACES ±  | 3 PLACES ±   | 2 PLACES ±  | 1 PLACE ±               | 0 PLACES ±               |
| ANGULAR TOL ± °                                  |   | DRAFT WHERE APPLICABLE MUST REMAIN WITHIN DIMENSIONS |   | THIRD ANGLE PROJECTION  | DRAWING A3-SIZE          |
| SERIES 560020                                    |   | MATERIAL NUMBER                                      |   | CUSTOMER GENERAL MARKET | SHEET NUMBER 2 OF 4      |



11CKTS

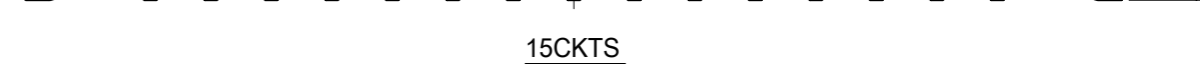
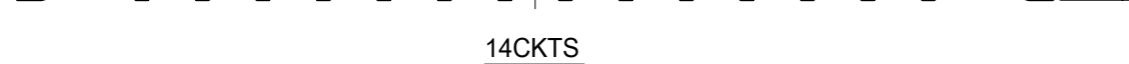
12CKTS

13CKTS



14CKTS

15CKTS



|   |   |                        |   |        |   |
|---|---|------------------------|---|--------|---|
| FUNCTIONAL SYMBOLS<br>FA = 0<br>FB = 0<br>FP = 0        | THIS DRAWING CONTAINS INFORMATION THAT IS PROPRIETARY TO MOLEX ELECTRONIC TECHNOLOGIES, LLC AND SHOULD NOT BE USED WITHOUT WRITTEN PERMISSION |                        | CURRENT REV DESC:   |        |   |
|   | DIMENSION UNITS   | SCALE                  | EC NO: 635305<br>DRWN: MUNEMOTO 2020/04/02<br>CHK'D: HIJIMA 2020/04/03<br>APPR: TOSADA 2020/04/06 |        |   |
| DIVISIONAL SYMBOLS                                      | GENERAL TOLERANCES (UNLESS SPECIFIED)   |                        | INITIAL REVISION:   |        | PRODUCT CUSTOMER DRAWING                |
|   | 4 PLACES ±  | MM INCH                | DRWN: DRAWN BY 0099/99/99<br>APPR: APPR BY 0099/99/99   |        | DOCUMENT NUMBER<br><b>SD-560020-001</b> |
| DRAFT WHERE APPLICABLE<br>MUST REMAIN WITHIN DIMENSIONS |   | THIRD ANGLE PROJECTION | DRAWING   | SERIES | DOC TYPE DOC PART REVISION<br>PSD 001 K |
|   |   |                        | A3-SIZE   | 560020 | MATERIAL NUMBER<br>GENERAL MARKET       |
|   |   |                        |   |        | CUSTOMER<br>GENERAL MARKET              |
|   |   |                        |   |        | SHEET NUMBER<br>3 OF 4                  |

INITIAL REVISION:  
 DRWN SHSHIBATA 2009/02/18  
 CHECK HKOMATSU 2009/02/18  
 APPR AKANESHIGE 2009/02/18

|                                  |      |      |      |      |                            |      |
|----------------------------------|------|------|------|------|----------------------------|------|
| Sn<br>NATURAL                    | 11.8 | 29.1 | 33.7 | 36.6 | 560020-1520                | 15   |
|                                  | 11.8 | 27.1 | 31.7 | 34.6 | 560020-1420                | 14   |
|                                  | 11.8 | 25.1 | 29.7 | 32.6 | 560020-1320                | 13   |
|                                  | 11.8 | 23.1 | 27.7 | 30.6 | 560020-1220                | 12   |
|                                  | 11.8 | 21.1 | 25.7 | 28.6 | 560020-1120                | 11   |
|                                  | 11.8 | 19.1 | 23.7 | 26.6 | 560020-1020                | 10   |
|                                  | 11.8 | 17.1 | 21.7 | 24.6 | 560020-0920                | 9    |
|                                  | 11.8 | 15.1 | 19.7 | 22.6 | 560020-0820                | 8    |
|                                  | 11.8 | 13.1 | 17.7 | 20.6 | 560020-0720                | 7    |
|                                  | 11.8 | 12   | 15.7 | 18.6 | 560020-0620                | 6    |
|                                  | 9.8  | 10   | 13.7 | 16.6 | 560020-0520                | 5    |
|                                  | 7.8  | 8    | 11.7 | 14.6 | 560020-0420                | 4    |
|                                  | 5.8  | 6    | 9.7  | 12.6 | 560020-0320                | 3    |
|                                  | 6.3  | /    | 8.0  | 10.9 | 560020-0220                | 2    |
| PLATING COLOR                    | D    | C    | B    | A    | EMBOSSED PACKAGE ORDER NO. | CKTS |
| CONNECTOR SERIES NO. 560020-**08 |      |      |      |      |                            |      |

|                                  |      |      |      |      |                            |      |
|----------------------------------|------|------|------|------|----------------------------|------|
| Au<br>NATURAL                    | 11.8 | 29.1 | 33.7 | 36.6 | 560020-1530                | 15   |
|                                  | 11.8 | 27.1 | 31.7 | 34.6 | 560020-1430                | 14   |
|                                  | 11.8 | 25.1 | 29.7 | 32.6 | 560020-1330                | 13   |
|                                  | 11.8 | 23.1 | 27.7 | 30.6 | 560020-1230                | 12   |
|                                  | 11.8 | 21.1 | 25.7 | 28.6 | 560020-1130                | 11   |
|                                  | 11.8 | 19.1 | 23.7 | 26.6 | 560020-1030                | 10   |
|                                  | 11.8 | 17.1 | 21.7 | 24.6 | 560020-0930                | 9    |
|                                  | 11.8 | 15.1 | 19.7 | 22.6 | 560020-0830                | 8    |
|                                  | 11.8 | 13.1 | 17.7 | 20.6 | 560020-0730                | 7    |
|                                  | 11.8 | 12   | 15.7 | 18.6 | 560020-0630                | 6    |
|                                  | 9.8  | 10   | 13.7 | 16.6 | 560020-0530                | 5    |
|                                  | 7.8  | 8    | 11.7 | 14.6 | 560020-0430                | 4    |
|                                  | 5.8  | 6    | 9.7  | 12.6 | 560020-0330                | 3    |
|                                  | 6.3  | /    | 8.0  | 10.9 | 560020-0230                | 2    |
| PLATING COLOR                    | D    | C    | B    | A    | EMBOSSED PACKAGE ORDER NO. | CKTS |
| CONNECTOR SERIES NO. 560020-**18 |      |      |      |      |                            |      |

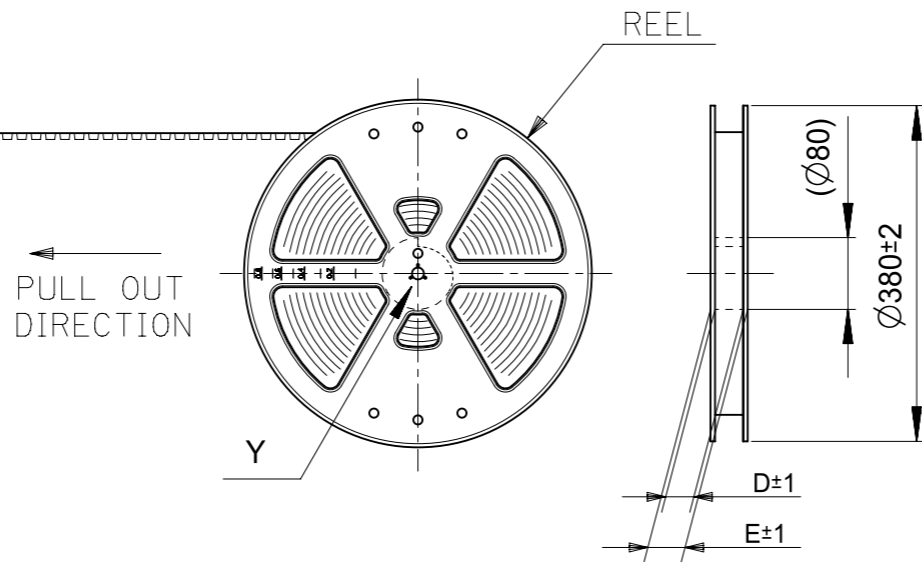
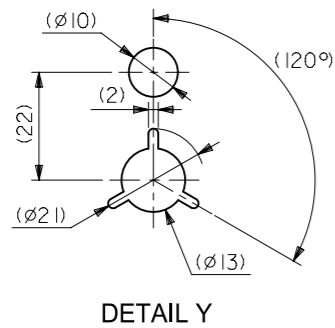
|                                  |      |      |      |      |                            |      |
|----------------------------------|------|------|------|------|----------------------------|------|
| Sn<br>BLACK                      | 11.8 | 29.1 | 33.7 | 36.6 | 560020-1521                | 15   |
|                                  | 11.8 | 27.1 | 31.7 | 34.6 | 560020-1421                | 14   |
|                                  | 11.8 | 25.1 | 29.7 | 32.6 | 560020-1321                | 13   |
|                                  | 11.8 | 23.1 | 27.7 | 30.6 | 560020-1221                | 12   |
|                                  | 11.8 | 21.1 | 25.7 | 28.6 | 560020-1121                | 11   |
|                                  | 11.8 | 19.1 | 23.7 | 26.6 | 560020-1021                | 10   |
|                                  | 11.8 | 17.1 | 21.7 | 24.6 | 560020-0921                | 9    |
|                                  | 11.8 | 15.1 | 19.7 | 22.6 | 560020-0821                | 8    |
|                                  | 11.8 | 13.1 | 17.7 | 20.6 | 560020-0721                | 7    |
|                                  | 11.8 | 12   | 15.7 | 18.6 | 560020-0621                | 6    |
|                                  | 9.8  | 10   | 13.7 | 16.6 | 560020-0521                | 5    |
|                                  | 7.8  | 8    | 11.7 | 14.6 | 560020-0421                | 4    |
|                                  | 5.8  | 6    | 9.7  | 12.6 | 560020-0321                | 3    |
|                                  | 6.3  | /    | 8.0  | 10.9 | 560020-0221                | 2    |
| PLATING COLOR                    | D    | C    | B    | A    | EMBOSSED PACKAGE ORDER NO. | CKTS |
| CONNECTOR SERIES NO. 560020-**28 |      |      |      |      |                            |      |

|                                  |      |      |      |      |                            |      |
|----------------------------------|------|------|------|------|----------------------------|------|
| Sn<br>RED                        | /    | /    | /    | /    | /                          | 15   |
|                                  | /    | /    | /    | /    | /                          | 14   |
|                                  | /    | /    | /    | /    | /                          | 13   |
|                                  | /    | /    | /    | /    | /                          | 12   |
|                                  | /    | /    | /    | /    | /                          | 11   |
|                                  | /    | /    | /    | /    | /                          | 10   |
|                                  | /    | /    | /    | /    | /                          | 9    |
|                                  | 11.8 | 15.1 | 19.7 | 22.6 | 560020-0822                | 8    |
|                                  | /    | /    | /    | /    | /                          | 7    |
|                                  | 11.8 | 12   | 15.7 | 18.6 | 560020-0622                | 6    |
|                                  | /    | /    | /    | /    | /                          | 5    |
|                                  | 7.8  | 8    | 11.7 | 14.6 | 560020-0422                | 4    |
|                                  | 5.8  | 6    | 9.7  | 12.6 | 560020-0322                | 3    |
|                                  | 6.3  | /    | 8.0  | 10.9 | 560020-0222                | 2    |
| PLATING COLOR                    | D    | C    | B    | A    | EMBOSSED PACKAGE ORDER NO. | CKTS |
| CONNECTOR SERIES NO. 560020-**48 |      |      |      |      |                            |      |

|                                  |      |      |      |      |                            |      |
|----------------------------------|------|------|------|------|----------------------------|------|
| Sn<br>BLUE                       | /    | /    | /    | /    | /                          | 15   |
|                                  | /    | /    | /    | /    | /                          | 14   |
|                                  | /    | /    | /    | /    | /                          | 13   |
|                                  | /    | /    | /    | /    | /                          | 12   |
|                                  | /    | /    | /    | /    | /                          | 11   |
|                                  | /    | /    | /    | /    | /                          | 10   |
|                                  | /    | /    | /    | /    | /                          | 9    |
|                                  | 11.8 | 15.1 | 19.7 | 22.6 | 560020-0823                | 8    |
|                                  | /    | /    | /    | /    | /                          | 7    |
|                                  | 11.8 | 12   | 15.7 | 18.6 | 560020-0623                | 6    |
|                                  | /    | /    | /    | /    | /                          | 5    |
|                                  | 7.8  | 8    | 11.7 | 14.6 | 560020-0423                | 4    |
|                                  | 5.8  | 6    | 9.7  | 12.6 | 560020-0323                | 3    |
|                                  | 6.3  | /    | 8.0  | 10.9 | 560020-0223                | 2    |
| PLATING COLOR                    | D    | C    | B    | A    | EMBOSSED PACKAGE ORDER NO. | CKTS |
| CONNECTOR SERIES NO. 560020-**68 |      |      |      |      |                            |      |

INITIAL REVISION:  
 DRWN SHSHIBATA 2009/02/18  
 CHECK HKOMATSU 2009/02/18  
 APPR AKANESHIGE 2009/02/18

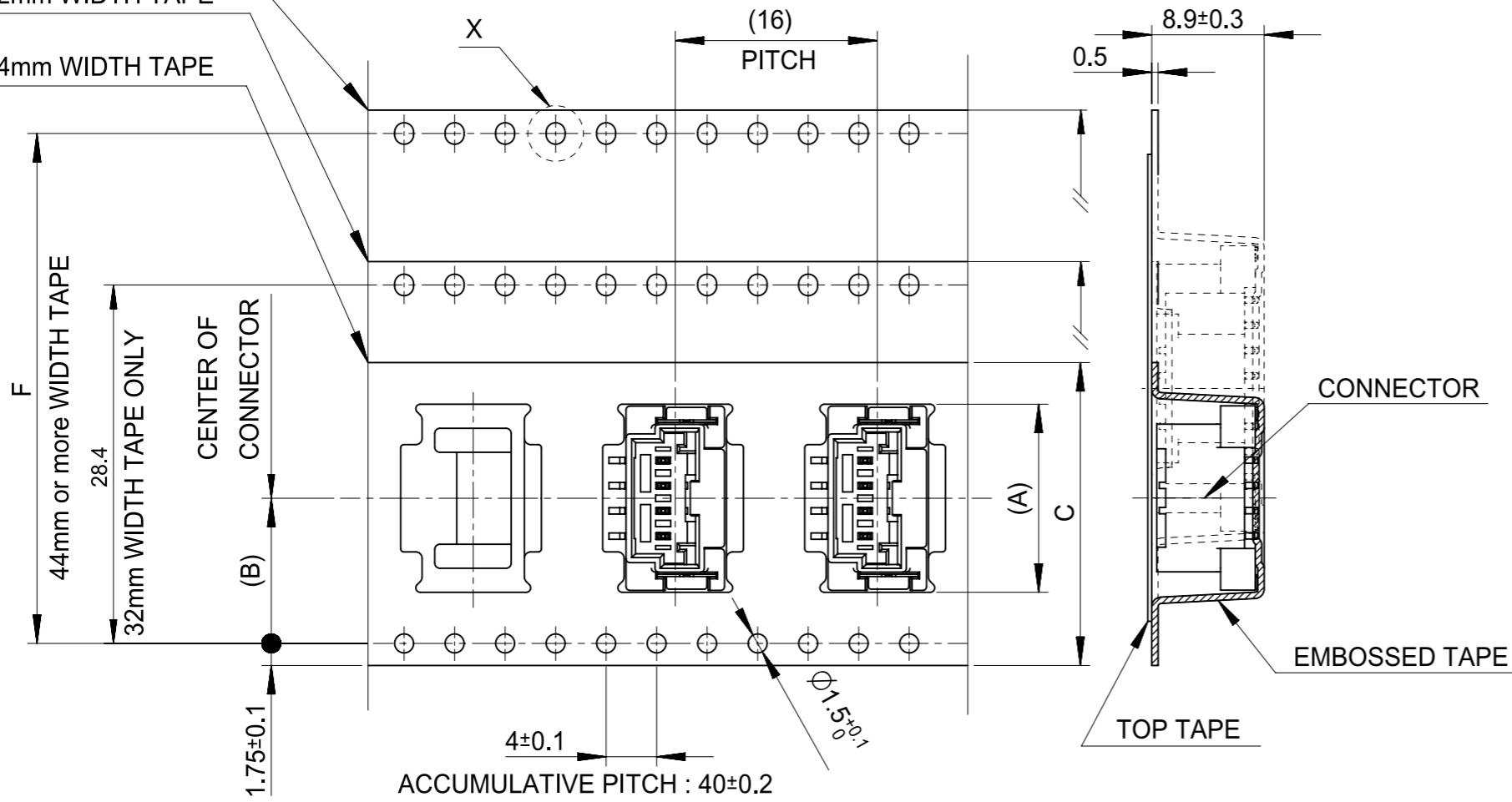
|                    |                                       |   |                           |
|--------------------|---------------------------------------|---|---------------------------|
| FUNCTIONAL SYMBOLS |                                       | THIS DRAWING CONTAINS INFORMATION THAT IS PROPRIETARY TO MOLEX ELECTRONIC TECHNOLOGIES, LLC AND SHOULD NOT BE USED WITHOUT WRITTEN PERMISSION |                           |
| FA = 0             | mm                                    | SCALE 1:1   | CURRENT REV DESC:         |
| FB = 0             | GENERAL TOLERANCES (UNLESS SPECIFIED) |   | EC NO: 635305             |
| FC = 0             | MM INCH                               |   | DRWN: MUNEMOTO 2020/04/02 |
| DIVISIONAL SYMBOLS |                                       | 4 PLACES ±  | CHK'D: HIJIMA 2020/04/03  |
|                    |                                       | 3 PLACES ±  | APPR: TOSADA 2020/04/06   |
|                    |                                       | 2 PLACES ±  | INITIAL REVISION:         |
|                    |                                       | 1 PLACE ±   | DRWN: DRAWN BY 0099/99/99 |
|                    |                                       | 0 PLACES ±  | APPR: APPR BY 0099/99/99  |
| ANGULAR TOL ± °    |                                       | DRAFT WHERE APPLICABLE MUST REMAIN WITHIN DIMENSIONS  | THIRD ANGLE PROJECTION    |
|                    |                                       | DRAWING A3-SIZE   | SERIES 560020             |
|                    |                                       | MATERIAL NUMBER   | CUSTOMER GENERAL MARKET   |
|                    |                                       | DOCUMENT NUMBER SD-560020-001   | DOC TYPE PSD              |
|                    |                                       | DOC PART 001  | REVISION K                |
|                    |                                       | SHEET NUMBER 4 OF 4   |                           |



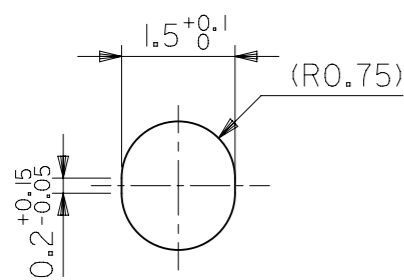
44mm or more  
WIDTH TAPE

32mm WIDTH TAPE

24mm WIDTH TAPE



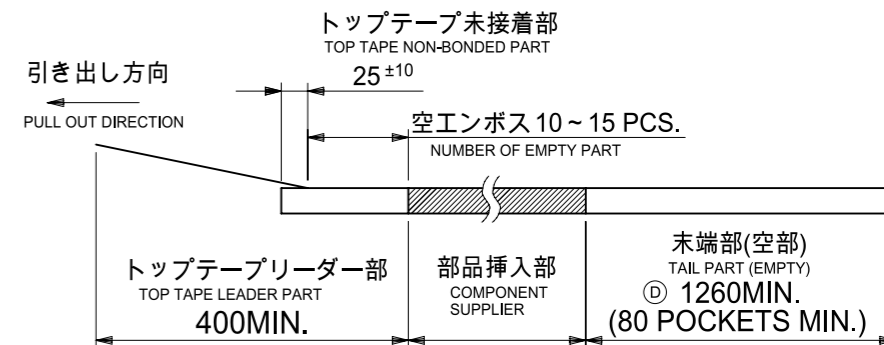
PULL OUT DIRECTION  
DIRECTION OF CONNECTOR  
IN EMBOSSED TAPE



DETAIL X  
(SCALE 10:1)

NOTES

- 製品番号：  
 ナチュラル・錫めっき 560020-\*\*20  
 ナチュラル・金めっき 560020-\*\*30  
 黒・錫めっき 560020-\*\*21  
 赤・錫めっき 560020-\*\*22  
 青・錫めっき 560020-\*\*23  
 詳細寸法については、製品単体図面を参照ください。  
 PART NO.  
 NATURAL・Sn Plating 560020-\*\*20  
 NATURAL・Au Plating 560020-\*\*30  
 BLACK・Sn Plating 560020-\*\*21  
 RED・Sn Plating 560020-\*\*22  
 BLUE・Sn Plating 560020-\*\*23  
 SEE SALES DRAWING FOR CONNECTOR
- 梱包数量： 650個/REEL  
 NUMBER OF CONNECTORS 650 PCS/REEL
- リードテープ長さ  
 LEAD TAPE LENGTH



- 材料  
 MATERIAL  
 キャリアテープ： ポリスチレン  
 CARRIER TAPE: POLYSTYRENE  
 トップテープ： PET, PE, PEF  
 TOP TAPE: PET, PE, PEF  
 リール： ポリスチレン  
 REEL: POLYSTYRENE
- 一般公差  
 GENERAL TOLERANCES  
 10 UNDER: ±0.2  
 10 OVER 30 UNDER: ±0.25  
 30 OVER: ±0.3  
 ANGULAR: ±1°

|                    |   |  |                   |                        |                          |  |                 |                 |              |          |          |
|--------------------|---|--|-------------------|------------------------|--------------------------|--|-----------------|-----------------|--------------|----------|----------|
| FUNCTIONAL SYMBOLS | THIS DRAWING CONTAINS INFORMATION THAT IS PROPRIETARY TO MOLEX ELECTRONIC TECHNOLOGIES, LLC AND SHOULD NOT BE USED WITHOUT WRITTEN PERMISSION |  | CURRENT REV DESC: |                        | <b>molex</b>             |  |                 |                 |              |          |          |
|                    | FA = 0  | mm NTS   |                   |                        |                          |  |                 |                 | SCALE        |          |          |
| DIVISIONAL SYMBOLS | FE = 0  | GENERAL TOLERANCES (UNLESS SPECIFIED)                |                   | PHASE:                 |                          | 2.0MM PITCH W/B ST. WAFER ASSY EMBOSSED TAPE PACKAGE |                 |                 |              |          |          |
|                    | FP = 0  | 4 PLACES ±   | MM                | INCH                   | CO NO:                   | PRODUCT SALES DRAWING                                |                 |                 |              |          |          |
|                    |   | 3 PLACES ±   |                   |                        | DRWN: Hideo Yoneyama     | 2023-10-23   | DOCUMENT NUMBER |                 |              |          |          |
|                    |   | 2 PLACES ±   |                   |                        | CHK'D: Hiromichi Komatsu | 2023-10-23   | SD-560020-003   |                 | DOC TYPE     | DOC PART | REVISION |
|                    |   | 1 PLACE ±  |                   |                        | APPR: Takashi Iida       | 2023-10-24   |                 |                 | PSD          | 001      | F2       |
|                    |   | 0 PLACES ±   |                   |                        | INITIAL REVISION:        |  |                 | MATERIAL NUMBER |              |          |          |
|                    |   | ANGULAR TOL ± 0.5°                                   |                   |                        | DRWN: YTAMAKI            | 2014/05/23   | SEE CHART       |                 | CUSTOMER     |          |          |
|                    |   | DRAFT WHERE APPLICABLE MUST REMAIN WITHIN DIMENSIONS |                   | THIRD ANGLE PROJECTION | APPR: MAYAMAMOTO         | 2014/06/30   | GENERAL MARKET  |                 | SHEET NUMBER |          |          |
|                    |   |  |                   |                        | DRAWING                  | SERIES   | A3-SIZE         |                 | 1 OF 2       |          |          |



|               |               |      |      |    |      |      |             |   |
|---------------|---------------|------|------|----|------|------|-------------|---|
| Sn<br>NATURAL | 52.4          | 61.4 | 57.4 | 56 | 26.2 | 36.9 | 560020-1520 | 15  |
|               |               |      |      |    |      | 34.9 | 560020-1420 | 14  |
|               |               |      |      |    |      | 32.9 | 560020-1320 | 13  |
|               | 40.4          | 49.4 | 45.4 | 44 | 20.2 | 30.9 | 560020-1220 | 12  |
|               |               |      |      |    |      | 28.9 | 560020-1120 | 11  |
|               |               |      |      |    |      | 26.9 | 560020-1020 | 10  |
|               |               |      |      |    |      | 24.9 | 560020-0920 | 09  |
|               |               |      |      |    |      | 22.9 | 560020-0820 | 08  |
|               |               |      |      |    |      | 20.9 | 560020-0720 | 07  |
|               | 28.4          | 37.4 | 33.4 | 32 | 14.2 | 18.9 | 560020-0620 | 06  |
|               |               |      |      |    |      | 16.9 | 560020-0520 | 05  |
|               | /             | 29.4 | 25.4 | 24 | 11.5 | 14.9 | 560020-0420 | 04  |
|               |               |      |      |    |      | 12.9 | 560020-0320 | 03  |
|               |               |      |      |    |      | 11.2 | 560020-0220 | 02  |
|               | PLATING COLOR | F    | E    | D  | C    | (B)  | (A)         | エンボス梱包品<br>製品番号<br>EMBOSSED PACKAGE<br>MATERIAL NO. |

|               |               |      |      |    |      |      |             |   |
|---------------|---------------|------|------|----|------|------|-------------|---|
| Au<br>NATURAL | 52.4          | 61.4 | 57.4 | 56 | 26.2 | 36.9 | 560020-1530 | 15  |
|               |               |      |      |    |      | 34.9 | 560020-1430 | 14  |
|               |               |      |      |    |      | 32.9 | 560020-1330 | 13  |
|               | 40.4          | 49.4 | 45.4 | 44 | 20.2 | 30.9 | 560020-1230 | 12  |
|               |               |      |      |    |      | 28.9 | 560020-1130 | 11  |
|               |               |      |      |    |      | 26.9 | 560020-1030 | 10  |
|               |               |      |      |    |      | 24.9 | 560020-0930 | 09  |
|               |               |      |      |    |      | 22.9 | 560020-0830 | 08  |
|               |               |      |      |    |      | 20.9 | 560020-0730 | 07  |
|               | 28.4          | 37.4 | 33.4 | 32 | 14.2 | 18.9 | 560020-0630 | 06  |
|               |               |      |      |    |      | 16.9 | 560020-0530 | 05  |
|               | /             | 29.4 | 25.4 | 24 | 11.5 | 14.9 | 560020-0430 | 04  |
|               |               |      |      |    |      | 12.9 | 560020-0330 | 03  |
|               |               |      |      |    |      | 11.2 | 560020-0230 | 02  |
|               | PLATING COLOR | F    | E    | D  | C    | (B)  | (A)         | エンボス梱包品<br>製品番号<br>EMBOSSED PACKAGE<br>MATERIAL NO. |

|             |               |      |      |    |      |      |             |   |
|-------------|---------------|------|------|----|------|------|-------------|---|
| Sn<br>BLACK | 52.4          | 61.4 | 57.4 | 56 | 26.2 | 36.9 | 560020-1521 | 15  |
|             |               |      |      |    |      | 34.9 | 560020-1421 | 14  |
|             |               |      |      |    |      | 32.9 | 560020-1321 | 13  |
|             | 40.4          | 49.4 | 45.4 | 44 | 20.2 | 30.9 | 560020-1221 | 12  |
|             |               |      |      |    |      | 28.9 | 560020-1121 | 11  |
|             |               |      |      |    |      | 26.9 | 560020-1021 | 10  |
|             |               |      |      |    |      | 24.9 | 560020-0921 | 09  |
|             |               |      |      |    |      | 22.9 | 560020-0821 | 08  |
|             |               |      |      |    |      | 20.9 | 560020-0721 | 07  |
|             | 28.4          | 37.4 | 33.4 | 32 | 14.2 | 18.9 | 560020-0621 | 06  |
|             |               |      |      |    |      | 16.9 | 560020-0521 | 05  |
|             | /             | 29.4 | 25.4 | 24 | 11.5 | 14.9 | 560020-0421 | 04  |
|             |               |      |      |    |      | 12.9 | 560020-0321 | 03  |
|             |               |      |      |    |      | 11.2 | 560020-0221 | 02  |
|             | PLATING COLOR | F    | E    | D  | C    | (B)  | (A)         | エンボス梱包品<br>製品番号<br>EMBOSSED PACKAGE<br>MATERIAL NO. |

|           |               |      |      |    |      |      |             |   |
|-----------|---------------|------|------|----|------|------|-------------|---|
| Sn<br>RED | /             | /    | /    | /  | /    | 15   |             |   |
|           |               |      |      |    |      | 14   |             |   |
|           |               |      |      |    |      | 13   |             |   |
|           | 40.4          | 49.4 | 45.4 | 44 | 20.2 | 12   |             |   |
|           |               |      |      |    |      | 11   |             |   |
|           |               |      |      |    |      | 10   |             |   |
|           |               |      |      |    |      | 09   |             |   |
|           |               |      |      |    |      | 08   | 22.9        | 560020-0822   |
|           |               |      |      |    |      | 07   |             |   |
|           | 28.4          | 37.4 | 33.4 | 32 | 14.2 | 18.9 | 560020-0622 | 06  |
|           |               |      |      |    |      | 05   |             |   |
|           | /             | 29.4 | 25.4 | 24 | 11.5 | 14.9 | 560020-0422 | 04  |
|           |               |      |      |    |      | 12.9 | 560020-0322 | 03  |
|           |               |      |      |    |      | 11.2 | 560020-0222 | 02  |
|           | PLATING COLOR | F    | E    | D  | C    | (B)  | (A)         | エンボス梱包品<br>製品番号<br>EMBOSSED PACKAGE<br>MATERIAL NO. |

|            |               |      |      |    |      |      |             |   |
|------------|---------------|------|------|----|------|------|-------------|---|
| Sn<br>BLUE | /             | /    | /    | /  | /    | 15   |             |   |
|            |               |      |      |    |      | 14   |             |   |
|            |               |      |      |    |      | 13   |             |   |
|            | 40.4          | 49.4 | 45.4 | 44 | 20.2 | 12   |             |   |
|            |               |      |      |    |      | 11   |             |   |
|            |               |      |      |    |      | 10   |             |   |
|            |               |      |      |    |      | 09   |             |   |
|            |               |      |      |    |      | 08   | 22.9        | 560020-0823   |
|            |               |      |      |    |      | 07   |             |   |
|            | 28.4          | 37.4 | 33.4 | 32 | 14.2 | 18.9 | 560020-0623 | 06  |
|            |               |      |      |    |      | 05   |             |   |
|            | /             | 29.4 | 25.4 | 24 | 11.5 | 14.9 | 560020-0423 | 04  |
|            |               |      |      |    |      | 12.9 | 560020-0323 | 03  |
|            |               |      |      |    |      | 11.2 | 560020-0223 | 02  |
|            | PLATING COLOR | F    | E    | D  | C    | (B)  | (A)         | エンボス梱包品<br>製品番号<br>EMBOSSED PACKAGE<br>MATERIAL NO. |

|  |   |   |   |                 |                                |
|--|---|---|---|-----------------|--------------------------------|
| FUNCTIONAL SYMBOLS<br>FA=0<br>FE=0<br>FP=0           | THIS DRAWING CONTAINS INFORMATION THAT IS PROPRIETARY TO MOLEX ELECTRONIC TECHNOLOGIES, LLC AND SHOULD NOT BE USED WITHOUT WRITTEN PERMISSION |   | CURRENT REV DESC:   |                 | <b>molex</b>                   |
|  | DIMENSION UNITS<br>mm   | SCALE<br>NTS  |   |                 |                                |
| DIVISIONAL SYMBOLS                                   | GENERAL TOLERANCES (UNLESS SPECIFIED)   |   | PHASE:  |                 | PRODUCT SALES DRAWING          |
|  | 4 PLACES ±  | MM INCH   | CO NO:<br>DRWN: Hideo Yoneyama 2023-10-23<br>CHK'D: Hiromichi Komatsu 2023-10-23<br>APPR: Takashi Iida 2023-10-24 |                 |                                |
| 1 PLACE ±  |   | INITIAL REVISION:                                       |   | DOCUMENT NUMBER | DOC TYPE   DOC PART   REVISION |
| 0 PLACES ±   |   | DRWN: YTAMAKI 2014/05/23<br>APPR: MAYAMAMOTO 2014/06/30 |   | SD-560020-003   | PSD 001 F2                     |
| ANGULAR TOL ± 0.5°                                   |   | THIRD ANGLE PROJECTION                                  | DRAWING   | SERIES          | MATERIAL NUMBER                |
| DRAFT WHERE APPLICABLE MUST REMAIN WITHIN DIMENSIONS |   |   | A3-SIZE   | 560020          | SEE CHART                      |
|  |   | CUSTOMER  |   | SHEET NUMBER    |                                |
|  |   | GENERAL MARKET  |   | 2 OF 2          |                                |