



产品编号 : 5601210102

Product Description : CTX-J50 Female Terminal, Tin Plated, 0.30-0.50mm² Wire Size

系列号 : 560121

状态 : Active

Product Category : Crimp Terminals

文件和资源

图纸

图纸 [5601210102_sd.pdf](#)

产物环境合规

合规

GADSL/IMDS	Compliant with Exemption 44; 34
China RoHS	Not Relevant
EU ELV	Compliant per 2000/53/EC
Low-Halogen Status	Low-Halogen per IEC 61249-2-21
REACH SVHC	Not Contained per D(2023)8585-DC (23 Jan 2024)
EU RoHS	Compliant per EU 2015/863

多部分产品合规性声明

- Eu RoHS
- REACH SVHC
- Low-Halogen

- IPC 1752A Class C
- IPC 1752A Class D
- Molex Product Compliance Declaration
- IEC-62474
- chemSHERPA (xml)

欧盟 RoHS 合格证书

产品详情

常规

状态	活动
----	----

类别	Crimp Terminals
系列	560121
说明	CTX-J50 Female Terminal, Tin Plated, 0.30-0.50mm ² Wire Size
应用	Automotive, Signal, Wire-to-Board
产品系列	Compactus
产品名称	Compactus, CTX-J 50
UPC	887191426839

电气

每触点最大电流	6.0A
电压 - 最大	250V

物理

性别	女
材料 - 金属	Copper Alloy
材料 - 接合部位电镀	Tin
材料 - 终端电镀	Tin
净重	0.083/g
包装形式	Reel
终端界面类型	Crimp or Compression
导线绝缘直径	不适用
线径规格 (AWG)	不适用
线缆尺寸mm ²	不适用

施工工具

全局

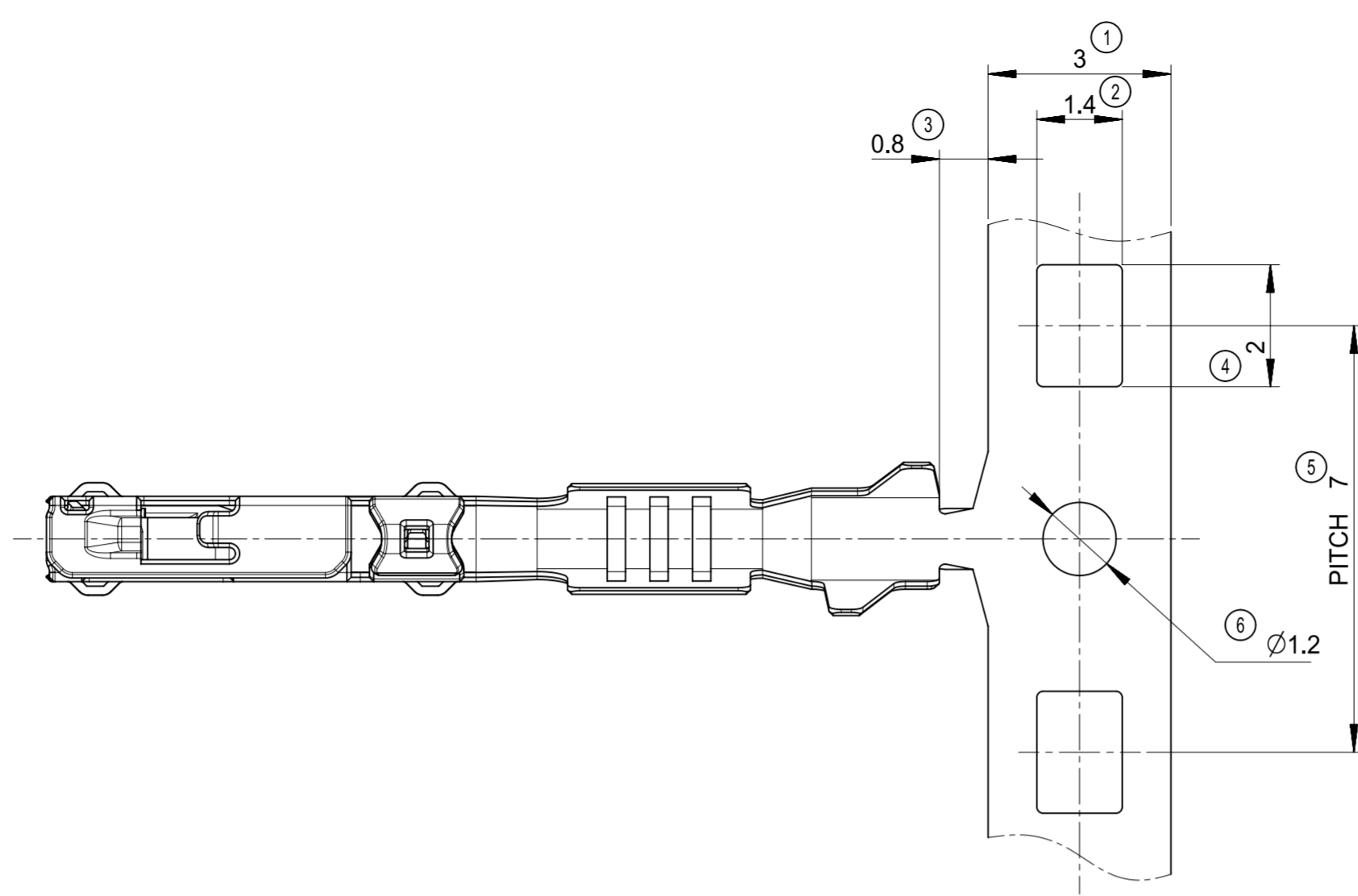
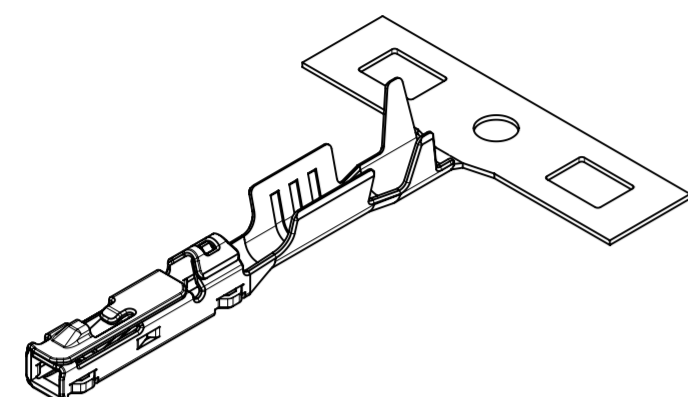
描述	产品编号
Hand Crimp Tool for CTX-J 50 Receptacle Terminal Sealed, 0.30mm ² and 0.50mm ² Wires	<u>2002182400</u>
Extractor Tool for CTX-J 50 Receptacle Crimp Terminal for Compactus Connector	<u>638247600</u>

施工工具

日本

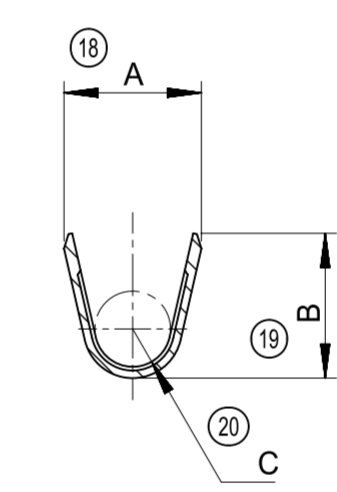
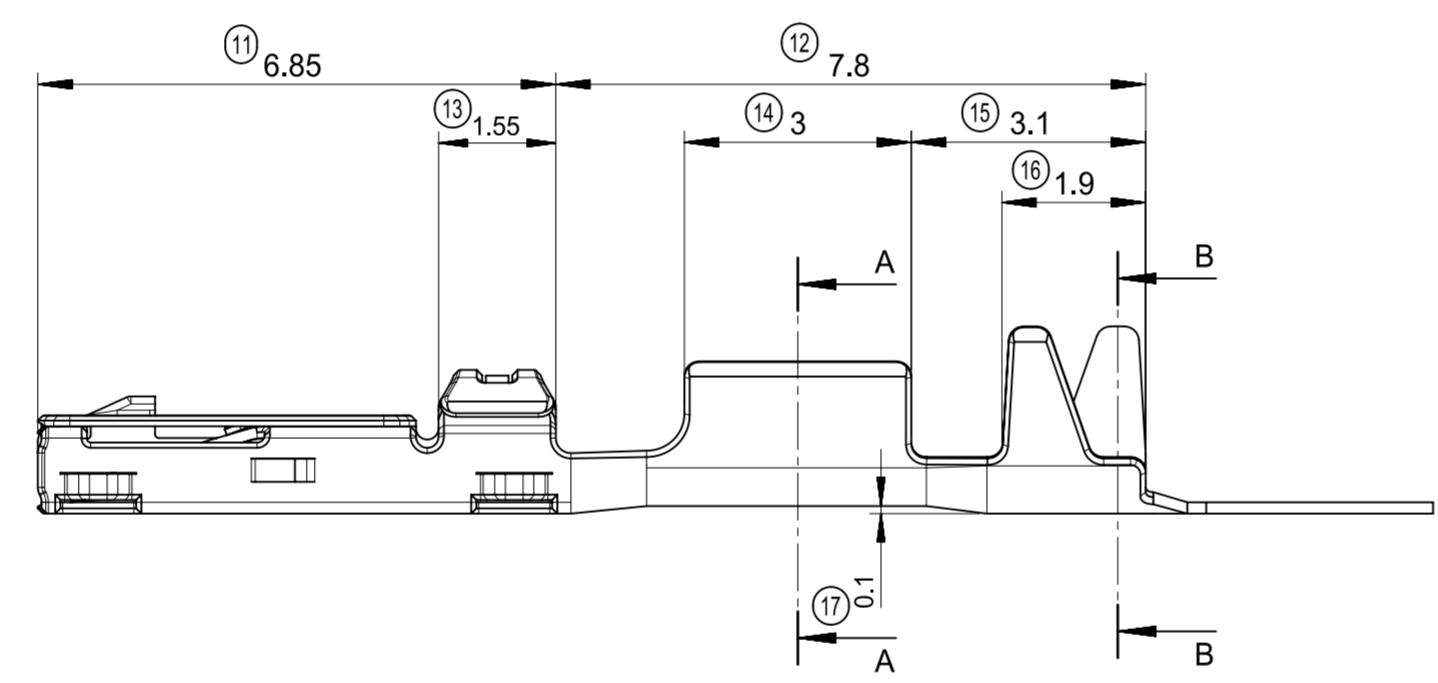
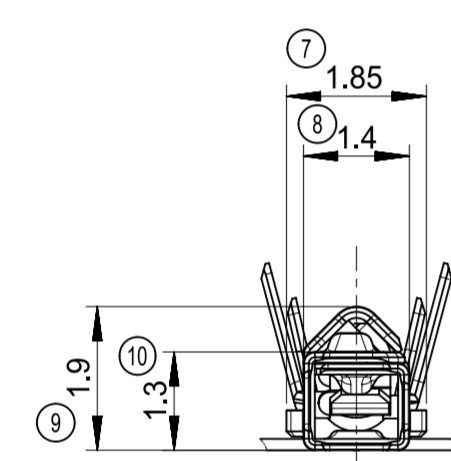
描述	产品编号
S-1 Applicator for CTX-J 50 Receptacle Terminals	<u>5781373700</u>

This document was generated on Jun 30, 2024

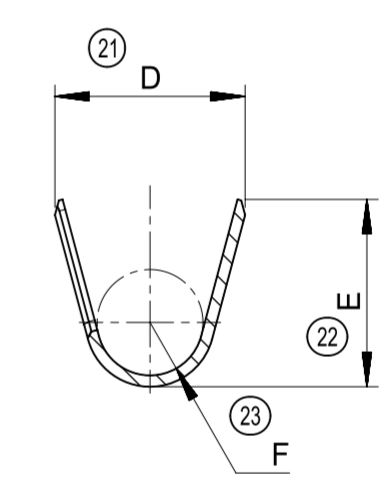


NOTES:
 1. 材料：銅合金
 2. めっき仕様：すずめっき
 3. 最新の適用電線と仕様は、端子の圧着仕様書：AS-560121-001を参照すること

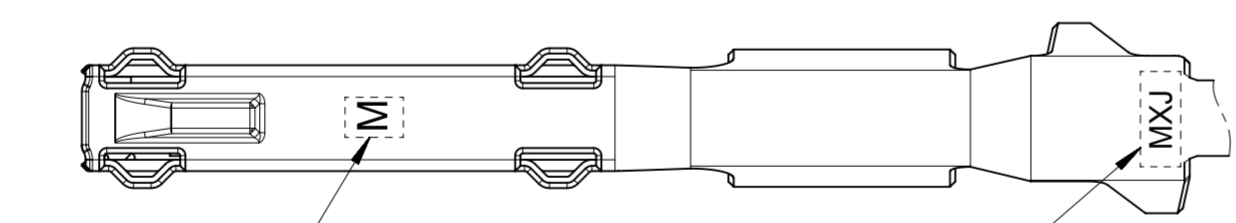
NOTES:
 1. MATERIAL : COPPER ALLOY
 2. PLATING SPECIFICATION : Tin PLATING
 3. PLEASE CHECK THE TERMINAL CRIMPING SPECIFICATIONS : AS-560121-001 FOR THE LATEST APPLICABLE WIRES AND OTHER CRIMPING SPECIFICATION.



SECTION A-A



SECTION B-B



バレルサイズマーク
GRIP CODE

ロゴマーク
LOGO MARK

端子品番 PART NO.	バレル記号 GRIP CODE	適応電線 APPLICABLE WIRE SIZE		寸法 DIMENSION					
				A	B	C	D	E	F
560121-0102	M	AVSS, AVSSH, AESSX	0.3 - 0.5mm ²	1.82	(1.91)	R0.5	2.51	(2.48)	R0.7
		CIVUS, FLRYW-B	0.35 - 0.5mm ²						
		FLRY-B	0.5mm ²						

THIS DRAWING CONTAINS INFORMATION THAT IS PROPRIETARY TO MOLEX ELECTRONIC TECHNOLOGIES, LLC AND SHOULD NOT BE USED WITHOUT WRITTEN PERMISSION

DIMENSION UNITS: mm
SCALE: 10:1

CURRENT REV DESC:

molex

EC NO: 620314
 DRWN: GABE 2019/07/04
 CHK'D: TIIDA01 2019/07/17
 APPR: TOSADA 2019/07/18

CTX-J 50 RECEPTACLE
TERMINAL SEALED

PRODUCT CUSTOMER DRAWING

GENERAL TOLERANCES (UNLESS SPECIFIED)	
10 UNDER	±0.3
10 OVER 30 UNDER	±0.4
30 OVER	±0.5
ANGULAR	±5°

INITIAL REVISION:
 DRWN: TIIDA01 2014/01/30
 APPR: MAYAMAMOTO 2015/11/09

DOCUMENT NUMBER	DOC TYPE	DOC PART	REVISION
SD-560121-001	PSD	001	B

THIRD ANGLE PROJECTION	DRAWING	SERIES	MATERIAL NUMBER	CUSTOMER	SHEET NUMBER
	A2-SIZE	560121		GENERAL MARKET	1 OF 1