

产品编号 : 5601230501

Product Description : DuraClik ISL Wire-to-Board Receptacle Housing, Single Row, Black, 5 Circuits

系列号 : 560123

状态 : Active

Product Category : Connector Housings



文件和资源

图纸

[图纸 5601230501_sd.pdf](#)

规格

[包装规格 PK-560123-001-001.pdf](#)

[产品规格 PS-560123-001-001.pdf](#)

[产品规格 PS-560123-003-001.pdf](#)

产物环境合规

合规

GADSL/IMDS	Duty-To-Declare
China RoHS	Not Relevant
EU ELV	Compliant per 2000/53/EC
Low-Halogen Status	Not Low-Halogen per IEC 61249-2-21
REACH SVHC	Not Contained per D(2023)3788-DC (14 Jun 2023)
EU RoHS	Compliant per EU 2015/863

多部分产品合规性声明

- Eu RoHS
- REACH SVHC
- Low-Halogen

多部分行业合规性文件

- IPC 1752A Class C
- IPC 1752A Class D
- Molex Product Compliance Declaration

- IEC-62474

- chemSHERPA (xml)

欧盟 RoHS 合格证书

产品详情

常规

状态	活动
类别	Connector Housings
系列	560123
说明	DuraClik ISL Wire-to-Board Receptacle Housing, Single Row, Black, 5 Circuits
应用	Automotive, Signal, Wire-to-Board
产品系列	DuraClik Connector System
产品名称	DuraClik
UPC	889056791045

机构

UL	E29179
----	--------

物理

电路数（最多）	5
颜色-树脂	黑色
性别	Receptacle
符合灼热丝规范	否
插接极性	无
锁定插接部位	是
材料 - 树脂	PBT
净重	0.316/g
行数	1
包装形式	Bag
面板安装式	否
间距 - 插配接口	2.00mm
有极性的插配件	是
可堆叠的	否

运行温度范围	-40° to +130° C
--------	-----------------

可配插/可连接使用的产品

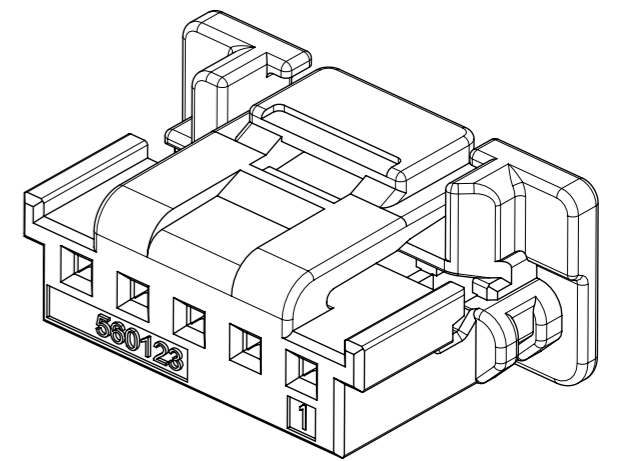
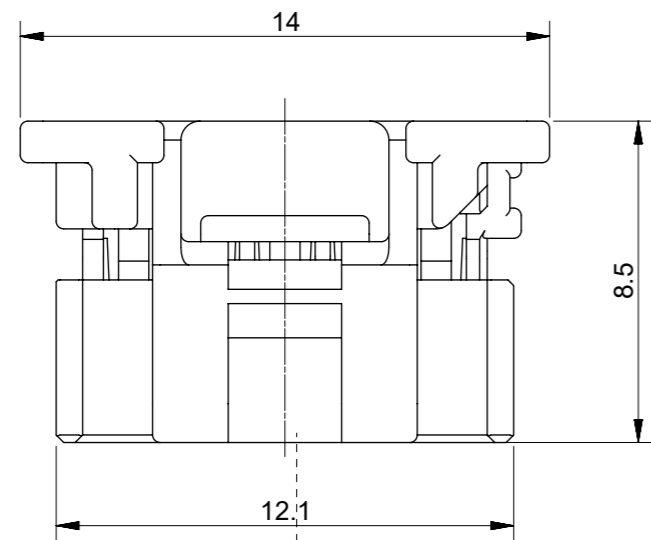
可配插部件

描述	产品编号
DuraClik Right-Angle Single Row Headers	<u>502352</u>
DuraClik Vertical Single Row Headers	<u>560020</u>

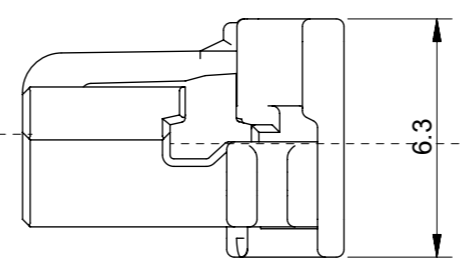
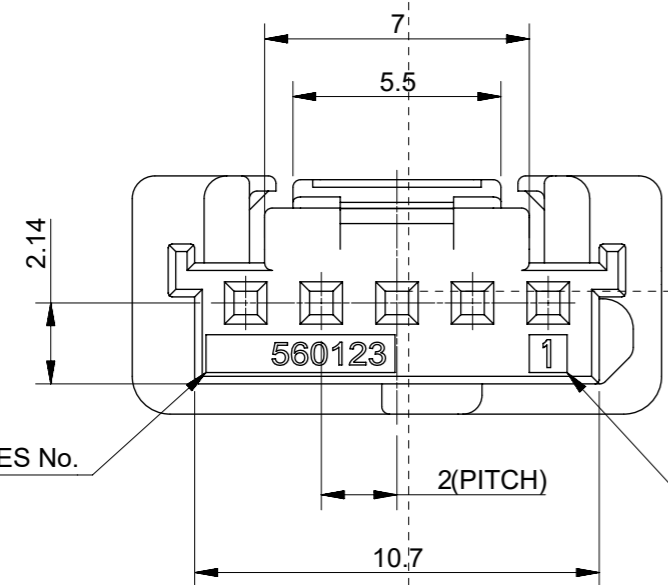
可连接使用部件

描述	产品编号
DuraClik Wire-to-Board Independent Secondary Lock (ISL) Retainer, 5 Circuits, Gray	<u>/content/molex/molex-dot-com/cn/zh/products/product-page.html/5601250500.html</u>
DuraClik ISL Female Crimp Terminals	<u>560124</u>

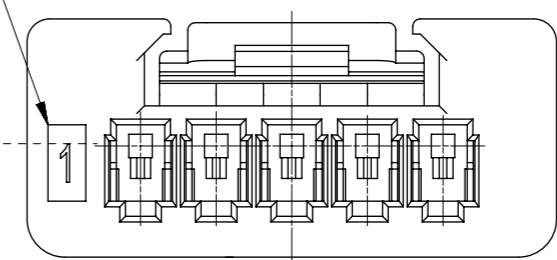
GENERAL TOLERANCE										USED ON
10 MAX	30 MAX	50 MAX	70 MAX	100 MAX	120 MAX	250 MAX	250 OVER	ANGLE	ECCENT	
±0.15	±0.20	±0.30	±0.40	±0.50	±0.75	±0.90	±1.4	±0.5°	0.1	



ISO VIEW



CIRCUIT No.

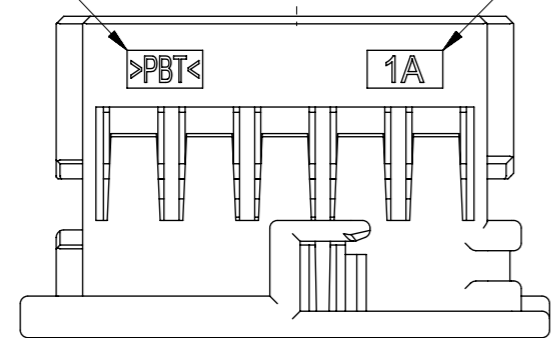


SERIES No.

CIRCUIT No.

MATERIAL

DIE No.
CAV. No.



MATERIAL NUMBER

ORDER NO.	MATERIAL NO.	COLOR
560123-0500	5601230500	WHITE
560123-0501	5601230501	BLACK

- NOTES:
1. MATERIALS : POLYESTER (PBT), GLASS UNFILLED, UL94 V-0
 2. MATE WITH : 502352, 560020 SERIES
 3. APPLICABLE TERMINAL : 560124 SERIES
 4. APPLICABLE ISL : 560125 SERIES
 5. GENERAL TOLERANCE : SEE TABLE
 6. EVL AND RoHS COMPLIANT
 7. PRODUCT SPECIFICATION : PS-560123-00*
 8. PACKING SPECIFICATION : PK-560123-001

FUNCTIONAL SYMBOLS	THIS DRAWING CONTAINS INFORMATION THAT IS PROPRIETARY TO MOLEX ELECTRONIC TECHNOLOGIES, LLC AND SHOULD NOT BE USED WITHOUT WRITTEN PERMISSION	CURRENT REV DESC: DRAWING REMASTERED																																								
	<table border="1"> <tr> <th>FUNCTIONAL SYMBOLS</th> <th>DIMENSION UNITS</th> <th>SCALE</th> </tr> <tr> <td>$\nabla_A = 0$</td> <td>mm</td> <td>5:1</td> </tr> <tr> <td>$\nabla_E = 0$</td> <td colspan="2">GENERAL TOLERANCES (UNLESS SPECIFIED)</td> </tr> <tr> <td>$\nabla_F = 0$</td> <td colspan="2">ANGULAR TOL ± °</td> </tr> <tr> <td></td> <td>4 PLACES</td> <td>±</td> </tr> <tr> <td rowspan="5">DIVISIONAL SYMBOLS</td> <td>3 PLACES</td> <td>±</td> </tr> <tr> <td>2 PLACES</td> <td>±</td> </tr> <tr> <td>1 PLACE</td> <td>±</td> </tr> <tr> <td>0 PLACES</td> <td>±</td> </tr> <tr> <td colspan="2">DRAFT WHERE APPLICABLE MUST REMAIN WITHIN DIMENSIONS</td> <td></td> </tr> </table>	FUNCTIONAL SYMBOLS	DIMENSION UNITS	SCALE	$\nabla_A = 0$	mm	5:1	$\nabla_E = 0$	GENERAL TOLERANCES (UNLESS SPECIFIED)		$\nabla_F = 0$	ANGULAR TOL ± °			4 PLACES	±	DIVISIONAL SYMBOLS	3 PLACES	±	2 PLACES	±	1 PLACE	±	0 PLACES	±	DRAFT WHERE APPLICABLE MUST REMAIN WITHIN DIMENSIONS			<table border="1"> <tr> <td>EC NO: 641821</td> <td>2020/07/17</td> </tr> <tr> <td>DRWN: SAKIM</td> <td>2020/07/27</td> </tr> <tr> <td>CHK'D: TOSADA</td> <td>2020/07/27</td> </tr> <tr> <td>APPR: TOSADA</td> <td>2020/07/27</td> </tr> <tr> <td>INITIAL REVISION:</td> <td></td> </tr> <tr> <td>DRWN: SWYOON</td> <td>2016/10/07</td> </tr> <tr> <td>APPR: JHJANG</td> <td>2016/10/18</td> </tr> </table>	EC NO: 641821	2020/07/17	DRWN: SAKIM	2020/07/27	CHK'D: TOSADA	2020/07/27	APPR: TOSADA	2020/07/27	INITIAL REVISION:		DRWN: SWYOON	2016/10/07	APPR: JHJANG
FUNCTIONAL SYMBOLS	DIMENSION UNITS	SCALE																																								
$\nabla_A = 0$	mm	5:1																																								
$\nabla_E = 0$	GENERAL TOLERANCES (UNLESS SPECIFIED)																																									
$\nabla_F = 0$	ANGULAR TOL ± °																																									
	4 PLACES	±																																								
DIVISIONAL SYMBOLS	3 PLACES	±																																								
	2 PLACES	±																																								
	1 PLACE	±																																								
	0 PLACES	±																																								
	DRAFT WHERE APPLICABLE MUST REMAIN WITHIN DIMENSIONS																																									
EC NO: 641821	2020/07/17																																									
DRWN: SAKIM	2020/07/27																																									
CHK'D: TOSADA	2020/07/27																																									
APPR: TOSADA	2020/07/27																																									
INITIAL REVISION:																																										
DRWN: SWYOON	2016/10/07																																									
APPR: JHJANG	2016/10/18																																									
		<table border="1"> <tr> <th>DOCUMENT NUMBER</th> <th>DOC TYPE</th> <th>DOC PART</th> <th>REVISION</th> </tr> <tr> <td>5601230500</td> <td>PSD</td> <td>005</td> <td>A1</td> </tr> </table>	DOCUMENT NUMBER	DOC TYPE	DOC PART	REVISION	5601230500	PSD	005	A1																																
DOCUMENT NUMBER	DOC TYPE	DOC PART	REVISION																																							
5601230500	PSD	005	A1																																							
<table border="1"> <tr> <th>DRAFTING</th> <th>SERIES</th> <th>MATERIAL NUMBER</th> <th>CUSTOMER</th> <th>SHEET NUMBER</th> </tr> <tr> <td>A3-SIZE</td> <td>560123</td> <td>SEE TABLE</td> <td>GENERAL MARKET</td> <td>1 OF 1</td> </tr> </table>	DRAFTING	SERIES	MATERIAL NUMBER	CUSTOMER	SHEET NUMBER	A3-SIZE	560123	SEE TABLE	GENERAL MARKET	1 OF 1																																
DRAFTING	SERIES	MATERIAL NUMBER	CUSTOMER	SHEET NUMBER																																						
A3-SIZE	560123	SEE TABLE	GENERAL MARKET	1 OF 1																																						