

产品编号 : [5601230300](#)

Product Description : DuraClik ISL Wire-to-Board Receptacle Housing, Single Row, White, 3 Circuits

系列号 : 560123

状态 : Active

Product Category : Connector Housings



文件和资源

图纸

[图纸 5601230300_sd.pdf](#)

3D 模型和设计文件

[3D模型 5601230300_stp.zip](#)

规格

[应用规格 AS-560123-001-001.pdf](#)


[包装规格 PK-560123-001-001.pdf](#)

[产品规格 PS-560123-001-001.pdf](#)

[产品规格 PS-560123-003-001.pdf](#)

产物环境合规

合规

GADSL/IMDS	Compliant
China RoHS	
EU ELV	Compliant per 2000/53/EC
Low-Halogen Status	Not Low-Halogen per IEC 61249-2-21
REACH SVHC	Not Contained per D(2023)3788-DC (14 Jun 2023)
EU RoHS	Compliant per EU 2015/863

多部分产品合规性声明

- Eu RoHS
- REACH SVHC
- Low-Halogen

多部分行业合规性文件

- IPC 1752A Class C
- IPC 1752A Class D
- Molex Product Compliance Declaration
- IEC-62474
- chemSHERPA (xml)

欧盟 RoHS 合格证书

产品详情

常规

状态	活动
类别	Connector Housings
系列	560123
说明	DuraClik ISL Wire-to-Board Receptacle Housing, Single Row, White, 3 Circuits
应用	Automotive, Signal, Wire-to-Board
产品系列	DuraClik Connector System
产品名称	DuraClik
UPC	889056009539

机构

UL	E29179
----	--------

物理

电路数 (最多)	3
颜色-树脂	白色
性别	Receptacle
符合灼热丝规范	否
插接极性	无
锁定插接部位	是
材料 - 树脂	PBT
净重	0.219/g
行数	1
包装形式	Bag
面板安装式	否
间距 - 插配接口	2.00mm

有极性的插配件	是
可堆叠的	否
运行温度范围	-40° to +130° C

进程

无铅	不适用
----	-----

可配插/可连接使用的产品

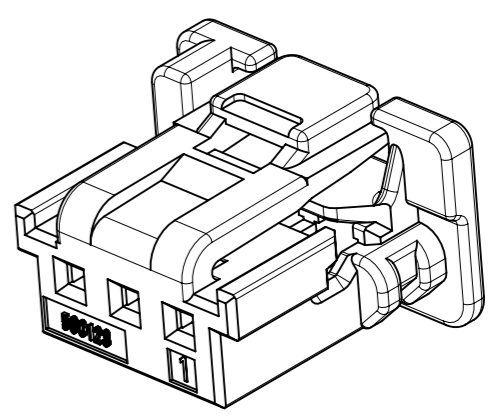
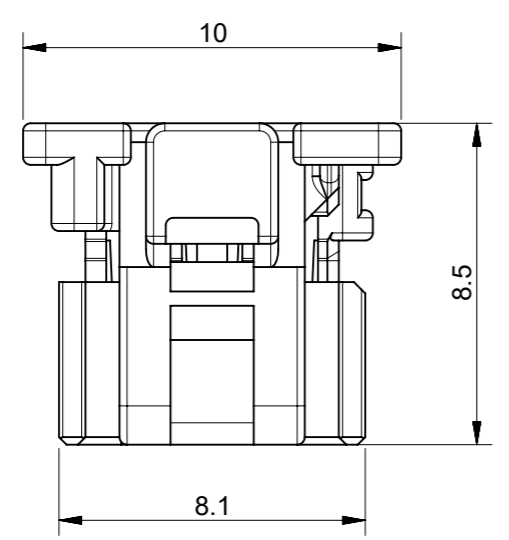
可配插部件

描述	产品编号
DuraClik Right-Angle Single Row Headers	<u>502352</u>
DuraClik Vertical Single Row Headers	<u>560020</u>

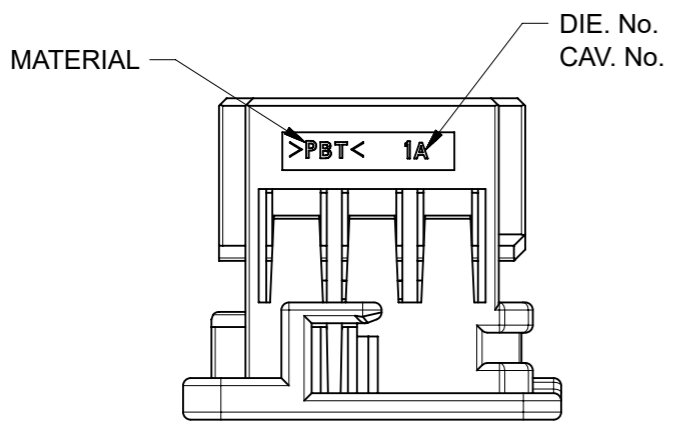
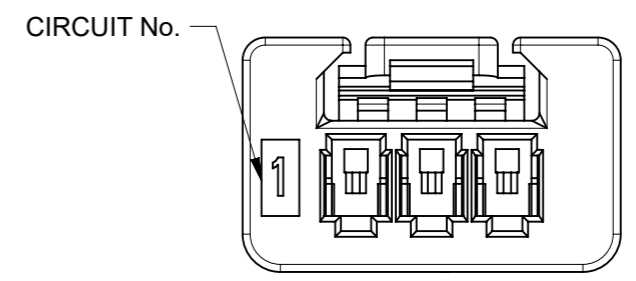
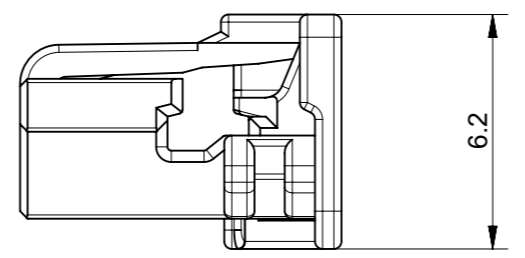
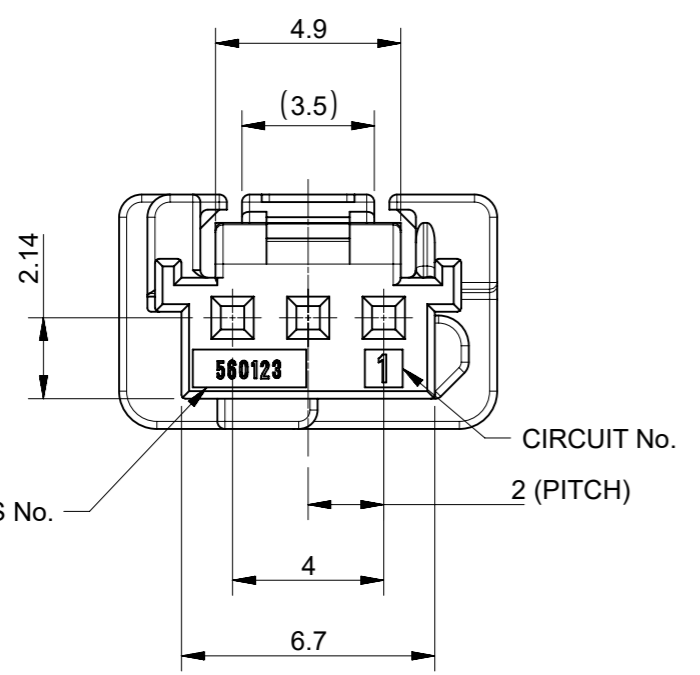
可连接使用部件

描述	产品编号
DuraClik Wire-to-Board Independent Secondary Lock (ISL) Retainer, 3 Circuits, Gray	<u>/content/molex/molex-dot-com/cn/zh/products/product-page.html/5601250300.html</u>
DuraClik Wire-to-Board Independent Secondary Lock (ISL) Retainer, 3 Circuits, Black	<u>/content/molex/molex-dot-com/cn/zh/products/product-page.html/5601250301.html</u>
DuraClik ISL Female Crimp Terminals	<u>560124</u>

GENERAL TOLERANCE										USED ON
10 MAX	30 MAX	50 MAX	70 MAX	100 MAX	120 MAX	250 MAX	250 OVER	ANGLE	ECCENT	
±0.15	±0.20	±0.30	±0.40	±0.50	±0.75	±0.90	±1.4	±0.5°	0.1	



ISO VIEW



- NOTES:
1. MATERIALS : POLYESTER (PBT), GLASS UNFILLED, UL94 V-0
 2. MATE WITH : 502352, 560020 SERIES
 3. APPLICABLE TERMINAL : 560124 SERIES
 4. APPLICABLE ISL : 560125 SERIES
 5. GENERAL TOLERANCE : SEE TABLE
 6. EVL AND RoHS COMPLIANT
 7. PRODUCT SPECIFICATION : PS-560123-00*
 8. PACKING SPECIFICATION : PK-560123-001

MATERIAL NUMBER

ORDER NO.	MATERIAL NO.	COLOR
560123-0300	5601230300	WHITE
560123-0301	5601230301	BLACK
560123-0302	5601230302	RED
560123-0304	5601230304	BLUE

FUNCTIONAL SYMBOLS	THIS DRAWING CONTAINS INFORMATION THAT IS PROPRIETARY TO MOLEX ELECTRONIC TECHNOLOGIES, LLC AND SHOULD NOT BE USED WITHOUT WRITTEN PERMISSION	CURRENT REV DESC:																																																																														
	<table border="1"> <tr> <th>FUNCTIONAL SYMBOLS</th> <th>DIMENSION UNITS</th> <th>SCALE</th> </tr> <tr> <td>$\nabla/A = 0$</td> <td>mm</td> <td>5:1</td> </tr> <tr> <td>$\nabla/E = 0$</td> <td colspan="2">GENERAL TOLERANCES (UNLESS SPECIFIED)</td> </tr> <tr> <td>$\nabla/F = 0$</td> <td colspan="2">ANGULAR TOL ± °</td> </tr> <tr> <td rowspan="5">DIVISIONAL SYMBOLS</td> <td>4 PLACES</td> <td>±</td> <td rowspan="5"> EC NO: 668822 DRWN: SAKIM CHK'D: HIJIMA APPR: HIJIMA INITIAL REVISION: DRWN: YIBAEK APPR: SRTAK </td> <td colspan="4" rowspan="5"> NEW 2.0 PITCH W/B CONN. 0.5mm REC. 3WAY HSG DURACLIK ISL SERIES </td> </tr> <tr> <td>3 PLACES</td> <td>±</td> <td>2021/07/01</td> </tr> <tr> <td>2 PLACES</td> <td>±</td> <td>2021/07/05</td> </tr> <tr> <td>1 PLACE</td> <td>±</td> <td>2021/07/05</td> </tr> <tr> <td>0 PLACES</td> <td>±</td> <td>2021/07/05</td> </tr> <tr> <td colspan="3">DRAFT WHERE APPLICABLE MUST REMAIN WITHIN DIMENSIONS</td> <td>THIRD ANGLE PROJECTION</td> <td>DRAWING</td> <td>SERIES</td> <td>MATERIAL NUMBER</td> <td>CUSTOMER</td> <td>DOCUMENT NUMBER</td> <td>DOC TYPE</td> <td>DOC PART</td> <td>REVISION</td> </tr> <tr> <td colspan="3"></td> <td></td> <td>A3-SIZE</td> <td>560123</td> <td>SEE TABLE</td> <td>GENERAL MARKET</td> <td>SD-560123-003</td> <td>PSD</td> <td>001</td> <td>C3</td> </tr> <tr> <td colspan="3"></td> <td></td> <td></td> <td></td> <td></td> <td></td> <td></td> <td></td> <td></td> <td>SHEET NUMBER</td> </tr> <tr> <td colspan="3"></td> <td></td> <td></td> <td></td> <td></td> <td></td> <td></td> <td></td> <td></td> <td>1 OF 1</td> </tr> </table>	FUNCTIONAL SYMBOLS	DIMENSION UNITS					SCALE	$\nabla/A = 0$	mm	5:1	$\nabla/E = 0$	GENERAL TOLERANCES (UNLESS SPECIFIED)		$\nabla/F = 0$	ANGULAR TOL ± °		DIVISIONAL SYMBOLS	4 PLACES	±	EC NO: 668822 DRWN: SAKIM CHK'D: HIJIMA APPR: HIJIMA INITIAL REVISION: DRWN: YIBAEK APPR: SRTAK	NEW 2.0 PITCH W/B CONN. 0.5mm REC. 3WAY HSG DURACLIK ISL SERIES				3 PLACES	±	2021/07/01	2 PLACES	±	2021/07/05	1 PLACE	±	2021/07/05	0 PLACES	±	2021/07/05	DRAFT WHERE APPLICABLE MUST REMAIN WITHIN DIMENSIONS			THIRD ANGLE PROJECTION	DRAWING	SERIES	MATERIAL NUMBER	CUSTOMER	DOCUMENT NUMBER	DOC TYPE	DOC PART	REVISION					A3-SIZE	560123	SEE TABLE	GENERAL MARKET	SD-560123-003	PSD	001	C3												SHEET NUMBER							
FUNCTIONAL SYMBOLS	DIMENSION UNITS	SCALE																																																																														
$\nabla/A = 0$	mm	5:1																																																																														
$\nabla/E = 0$	GENERAL TOLERANCES (UNLESS SPECIFIED)																																																																															
$\nabla/F = 0$	ANGULAR TOL ± °																																																																															
DIVISIONAL SYMBOLS	4 PLACES	±	EC NO: 668822 DRWN: SAKIM CHK'D: HIJIMA APPR: HIJIMA INITIAL REVISION: DRWN: YIBAEK APPR: SRTAK	NEW 2.0 PITCH W/B CONN. 0.5mm REC. 3WAY HSG DURACLIK ISL SERIES																																																																												
	3 PLACES	±						2021/07/01																																																																								
	2 PLACES	±						2021/07/05																																																																								
	1 PLACE	±						2021/07/05																																																																								
	0 PLACES	±						2021/07/05																																																																								
DRAFT WHERE APPLICABLE MUST REMAIN WITHIN DIMENSIONS			THIRD ANGLE PROJECTION	DRAWING	SERIES	MATERIAL NUMBER	CUSTOMER	DOCUMENT NUMBER	DOC TYPE	DOC PART	REVISION																																																																					
				A3-SIZE	560123	SEE TABLE	GENERAL MARKET	SD-560123-003	PSD	001	C3																																																																					
											SHEET NUMBER																																																																					
											1 OF 1																																																																					