



产品编号 : 5601230304

系列号 : 560123

Product Category : Connector Housings

Product Description : DuraClik ISL Wire-to-Board Receptacle Housing, Single Row, Blue, 3 Circuits

状态 : Active

---

## 文件和资源

### 图纸

图纸 5601230304\_sd.pdf

### 3D 模型和设计文件

3D模型 5601230304\_stp.zip

### 规格

应用规格 AS-560123-001-001.pdf

包装规格 PK-560123-001-001.pdf


产品规格 PS-560123-001-001.pdf

产品规格 PS-560123-003-001.pdf

---

## 产物环境合规

### 合规

GADSL/IMDS	Compliant
China RoHS	
EU ELV	Compliant per 2000/53/EC
Low-Halogen Status	Not Low-Halogen per IEC 61249-2-21
REACH SVHC	Not Contained per D(2023)8585-DC (23 Jan 2024)
EU RoHS	Compliant per EU 2015/863

### 多部分产品合规性声明

- Eu RoHS
- REACH SVHC
- Low-Halogen
  
- IPC 1752A Class C
- IPC 1752A Class D
- Molex Product Compliance Declaration

- IEC-62474

- chemSHERPA (xml)

欧盟 RoHS 合格证书

---

## 产品详情

### 常规

状态	活动
类别	Connector Housings
系列	560123
说明	DuraClik ISL Wire-to-Board Receptacle Housing, Single Row, Blue, 3 Circuits
应用	Automotive, Signal, Wire-to-Board
产品系列	DuraClik Connector System
产品名称	DuraClik
UPC	889056617130

### 机构

UL	E29179
----	--------

### 物理

电路数（最多）	3
颜色-树脂	蓝色
性别	Receptacle
符合灼热丝规范	否
插接极性	无
锁定插接部位	是
材料 - 树脂	PBT
净重	0.219/g
行数	1
包装形式	Bag
面板安装式	否
间距 - 插配接口	2.00mm
有极性的插配件	是
可堆叠的	否

运行温度范围	-40° to +130° C
--------	-----------------

---

## 可配插/可连接使用的产品

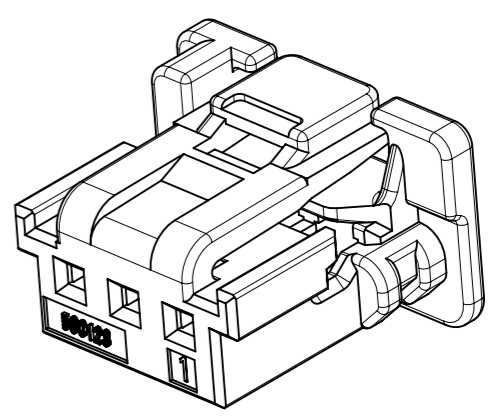
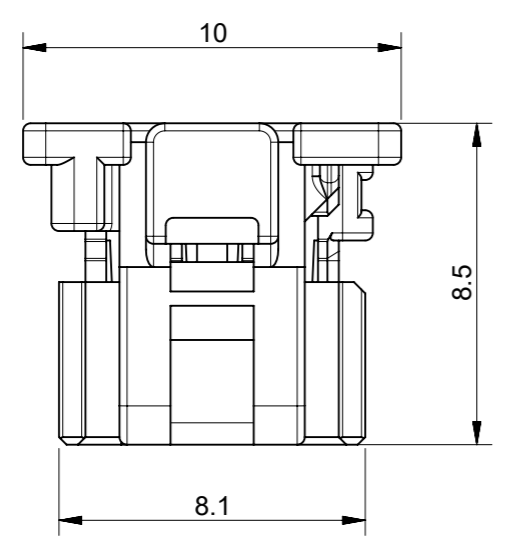
### 可配插部件

描述	产品编号
DuraClik Right-Angle Single Row Headers	<u>502352</u>
DuraClik Vertical Single Row Headers	<u>560020</u>

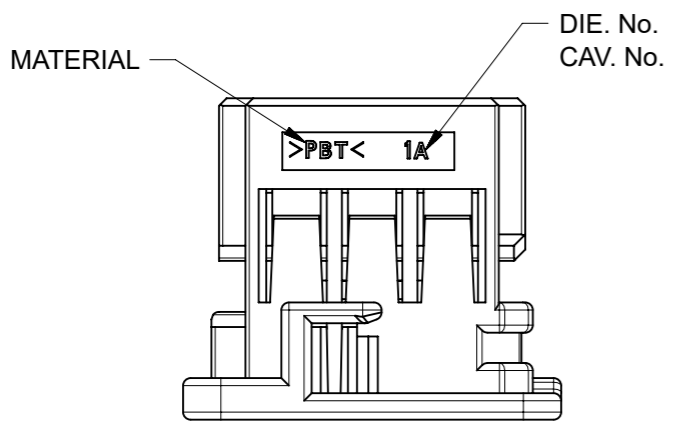
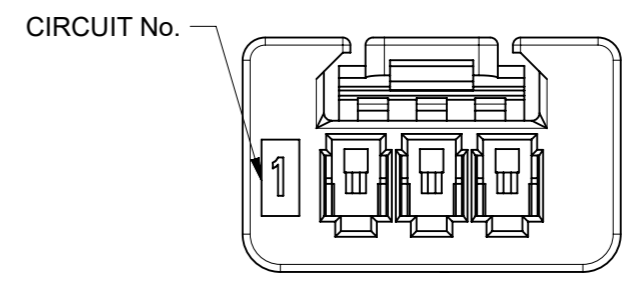
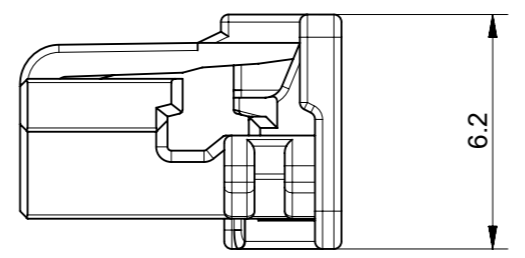
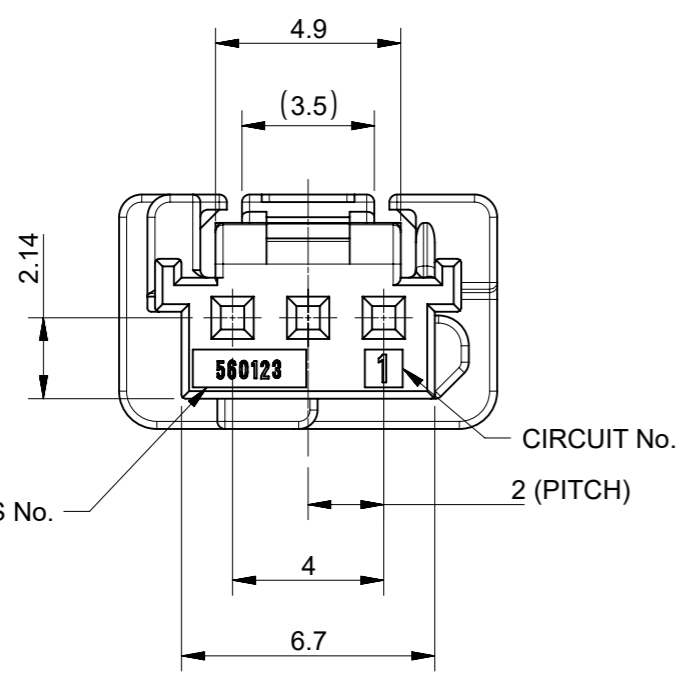
### 可连接使用部件

描述	产品编号
DuraClik Wire-to-Board Independent Secondary Lock (ISL) Retainer, 3 Circuits, Gray	<u><a href="/content/molex/molex-dot-com/cn/zh/products/product-page.html/5601250300.html">/content/molex/molex-dot-com/cn/zh/products/product-page.html/5601250300.html</a></u>
DuraClik Wire-to-Board Independent Secondary Lock (ISL) Retainer, 3 Circuits, Black	<u><a href="/content/molex/molex-dot-com/cn/zh/products/product-page.html/5601250301.html">/content/molex/molex-dot-com/cn/zh/products/product-page.html/5601250301.html</a></u>
DuraClik ISL Female Crimp Terminals	<u>560124</u>

GENERAL TOLERANCE										USED ON
10 MAX	30 MAX	50 MAX	70 MAX	100 MAX	120 MAX	250 MAX	250 OVER	ANGLE	ECCENT	
±0.15	±0.20	±0.30	±0.40	±0.50	±0.75	±0.90	±1.4	±0.5°	0.1	



ISO VIEW



- NOTES:
1. MATERIALS : POLYESTER (PBT), GLASS UNFILLED, UL94 V-0
  2. MATE WITH : 502352, 560020 SERIES
  3. APPLICABLE TERMINAL : 560124 SERIES
  4. APPLICABLE ISL : 560125 SERIES
  5. GENERAL TOLERANCE : SEE TABLE
  6. EVL AND RoHS COMPLIANT
  7. PRODUCT SPECIFICATION : PS-560123-00\*
  8. PACKING SPECIFICATION : PK-560123-001

MATERIAL NUMBER

ORDER NO.	MATERIAL NO.	COLOR
560123-0300	5601230300	WHITE
560123-0301	5601230301	BLACK
560123-0302	5601230302	RED
560123-0304	5601230304	BLUE

FUNCTIONAL SYMBOLS	THIS DRAWING CONTAINS INFORMATION THAT IS PROPRIETARY TO MOLEX ELECTRONIC TECHNOLOGIES, LLC AND SHOULD NOT BE USED WITHOUT WRITTEN PERMISSION	SCALE		CURRENT REV DESC:	
	mm	5:1			
DIVISIONAL SYMBOLS	GENERAL TOLERANCES (UNLESS SPECIFIED)	EC NO: 668822			
	ANGULAR TOL ± °	DRWN: SAKIM 2021/07/01			
	4 PLACES ±	CHK'D: HIJIMA 2021/07/05			
	3 PLACES ±	APPR: HIJIMA 2021/07/05			
	2 PLACES ±	INITIAL REVISION:			
	1 PLACE ±	DRWN: YIBAEK 2014/07/08			
	0 PLACES ±	APPR: SRTAK 2014/08/26			
DRAFT WHERE APPLICABLE MUST REMAIN WITHIN DIMENSIONS		THIRD ANGLE PROJECTION	DRAWING	SERIES	MATERIAL NUMBER
			A3-SIZE	560123	SEE TABLE
		CUSTOMER	SHEET NUMBER		
		GENERAL MARKET	1 OF 1		

**molex**

NEW 2.0 PITCH W/B CONN.  
0.5mm REC. 3WAY HSG DURACLIK ISL SERIES

PRODUCT CUSTOMER DRAWING

DOCUMENT NUMBER	DOC TYPE	DOC PART	REVISION
SD-560123-003	PSD	001	C3