



产品编号 : 5601230400

系列号 : 560123

Product Category : Connector Housings

Product Description : DuraClik ISL Wire-to-Board Receptacle Housing, Single Row, White, 4 Circuits

状态 : Active

文件和资源

图纸

图纸 5601230400_sd.pdf

3D 模型和设计文件

3D模型 5601230400_stp.zip

规格

应用规格 AS-560123-001-001.pdf


包装规格 PK-560123-001-001.pdf

产品规格 PS-560123-001-001.pdf

产品规格 PS-560123-003-001.pdf

产物环境合规

合规

GADSL/IMDS	Compliant
China RoHS	
EU ELV	Compliant per 2000/53/EC
Low-Halogen Status	Not Low-Halogen per IEC 61249-2-21
REACH SVHC	Not Contained per D(2023)8585-DC (23 Jan 2024)
EU RoHS	Compliant per EU 2015/863

多部分产品合规性声明

- Eu RoHS
- REACH SVHC
- Low-Halogen

- IPC 1752A Class C
- IPC 1752A Class D
- Molex Product Compliance Declaration

- IEC-62474

- chemSHERPA (xml)

欧盟 RoHS 合格证书

产品详情

常规

状态	活动
类别	Connector Housings
系列	560123
说明	DuraClik ISL Wire-to-Board Receptacle Housing, Single Row, White, 4 Circuits
应用	Automotive, Signal, Wire-to-Board
产品系列	DuraClik Connector System
产品名称	DuraClik
UPC	887191705538

机构

UL	E29179
----	--------

物理

电路数（最多）	4
颜色-树脂	白色
性别	Receptacle
符合灼热丝规范	否
插接极性	无
锁定插接部位	是
材料 - 树脂	PBT
净重	0.274/g
行数	1
包装形式	Bag
面板安装式	否
间距 - 插配接口	2.00mm
有极性的插配件	是
可堆叠的	否

运行温度范围	-40° to +130° C
--------	-----------------

进程

无铅	不适用
----	-----

可配插/可连接使用的产品

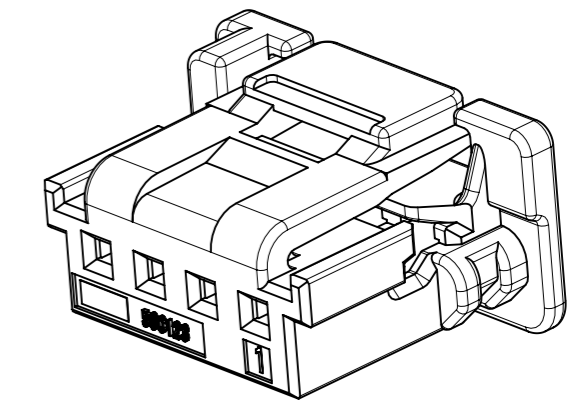
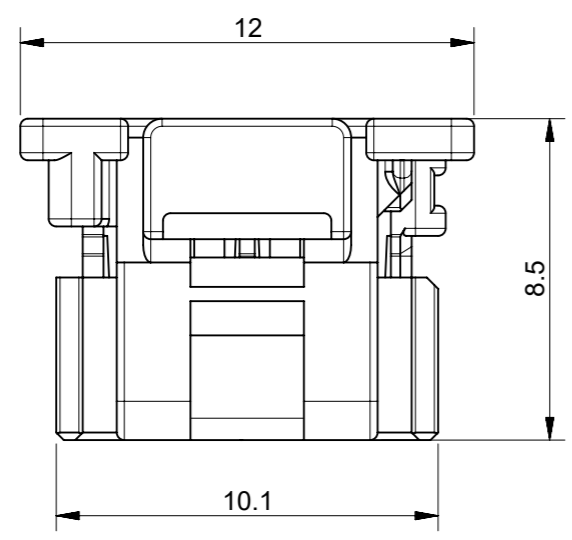
可配插部件

描述	产品编号
DuraClik Right-Angle Single Row Headers	<u>502352</u>
DuraClik Vertical Single Row Headers	<u>560020</u>

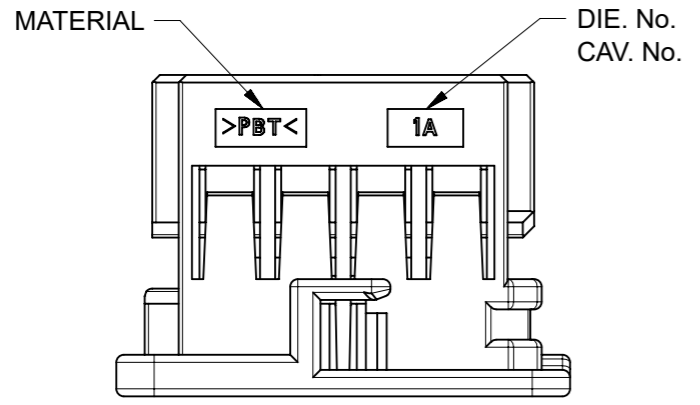
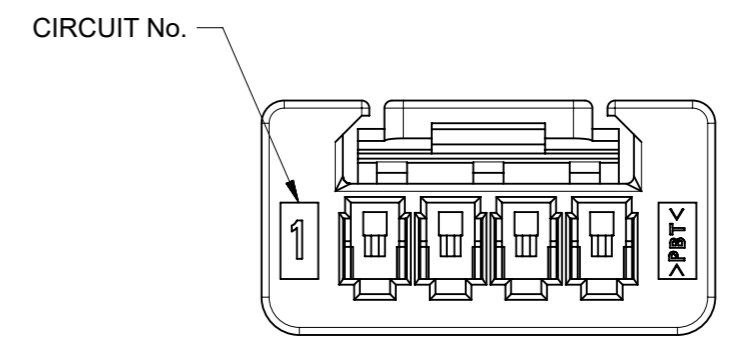
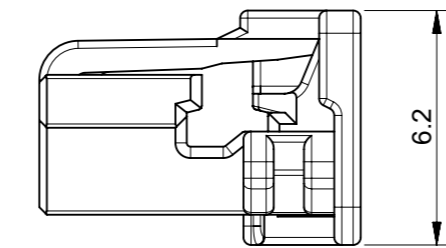
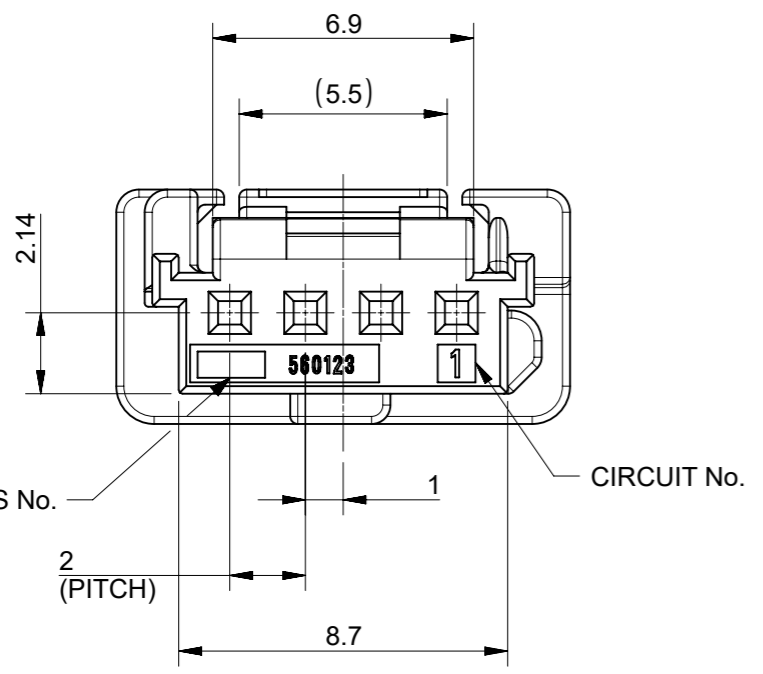
可连接使用部件

描述	产品编号
DuraClik Wire-to-Board Independent Secondary Lock (ISL) Retainer, 4 Circuits, Gray	<u>/content/molex/molex-dot-com/cn/zh/products/product-page.html/5601250400.html</u>
DuraClik ISL Female Crimp Terminals	<u>560124</u>

GENERAL TOLERANCE										USED ON
10 MAX	30 MAX	50 MAX	70 MAX	100 MAX	120 MAX	250 MAX	250 OVER	ANGLE	ECCENT	
±0.15	±0.20	±0.30	±0.40	±0.50	±0.75	±0.90	±1.4	±0.5°	0.1	



ISO VIEW



- NOTES:
1. MATERIALS : POLYESTER (PBT), GLASS UNFILLED, UL 94V-0
 2. MATE WITH : 502352, 560020 SERIES
 3. APPLICABLE TERMINAL : 560124 SERIES
 4. APPLICABLE ISL : 560125 SERIES
 5. GENERAL TOLERANCE : SEE TABLE
 6. EVL AND RoHS COMPLIANT
 7. PRODUCT SPECIFICATION : PS-560123-00*
 8. PACKING SPECIFICATION : PK-560123-001

MATERIAL NUMBER

ORDER NO.	MATERIAL NO.	COLOR
560123-0400	5601230400	WHITE
560123-0401	5601230401	BLACK
560123-0402	5601230402	RED
560123-0404	5601230404	BLUE

FUNCTIONAL SYMBOLS	THIS DRAWING CONTAINS INFORMATION THAT IS PROPRIETARY TO MOLEX ELECTRONIC TECHNOLOGIES, LLC AND SHOULD NOT BE USED WITHOUT WRITTEN PERMISSION		CURRENT REV DESC:		
	$\nabla_A = 0$ $\nabla_E = 0$ $\nabla_V = 0$	DIMENSION UNITS: mm SCALE: 5:1	EC NO: 668822 DRWN: SAKIM CHK'D: HIJIMA APPR: HIJIMA		
DIVISIONAL SYMBOLS	GENERAL TOLERANCES (UNLESS SPECIFIED)		INITIAL REVISION:		DOCUMENT NUMBER: SD-560123-002 DOC TYPE: PSD DOC PART: 001 REVISION: C3
	ANGULAR TOL ± ° 4 PLACES ± 3 PLACES ± 2 PLACES ± 1 PLACE ± 0 PLACES ±		DRWN: YIBAEK APPR: SRTAK 2014/07/03 2014/08/26		
DRAFT WHERE APPLICABLE MUST REMAIN WITHIN DIMENSIONS		THIRD ANGLE PROJECTION	DRAWING: A3-SIZE	SERIES: 560123	MATERIAL NUMBER: SEE TABLE
			CUSTOMER: GENERAL MARKET		SHEET NUMBER: 1 OF 1