



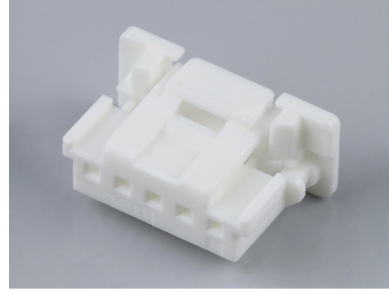
产品编号 : [5601230500](#)

Product Description : DuraClik ISL Wire-to-Board Receptacle Housing, Single Row, White, 5 Circuits

系列号 : 560123

状态 : Active

Product Category : Connector Housings



文件和资源

图纸

[图纸 5601230500_sd.pdf](#)

3D 模型和设计文件

[3D模型 5601230500_stp.zip](#)

规格


[包装规格 PK-560123-001-001.pdf](#)

[产品规格 PS-560123-001-001.pdf](#)

[产品规格 PS-560123-003-001.pdf](#)

产物环境合规

合规

GADSL/IMDS	Compliant
China RoHS	
EU ELV	Compliant per 2000/53/EC
Low-Halogen Status	Not Low-Halogen per IEC 61249-2-21
REACH SVHC	Not Contained per D(2023)3788-DC (14 Jun 2023)
EU RoHS	Compliant per EU 2015/863

多部分产品合规性声明

- Eu RoHS
- REACH SVHC
- Low-Halogen

多部分行业合规性文件

- IPC 1752A Class C

- IPC 1752A Class D
- Molex Product Compliance Declaration
- IEC-62474
- chemSHERPA (xml)

欧盟 RoHS 合格证书

产品详情

常规

状态	活动
类别	Connector Housings
系列	560123
说明	DuraClik ISL Wire-to-Board Receptacle Housing, Single Row, White, 5 Circuits
应用	Automotive, Signal, Wire-to-Board
产品系列	DuraClik Connector System
产品名称	DuraClik
UPC	191128059114

机构

UL	E29179
----	--------

物理

电路数（最多）	5
颜色-树脂	白色
性别	Receptacle
符合灼热丝规范	否
插接极性	无
锁定插接部位	是
材料 - 树脂	PBT
净重	0.316/g
行数	1
包装形式	Bag
面板安装式	否
间距 - 插配接口	2.00mm
有极性的插配件	是

可堆叠的	否
运行温度范围	-40° to +130° C

可配插/可连接使用的产品

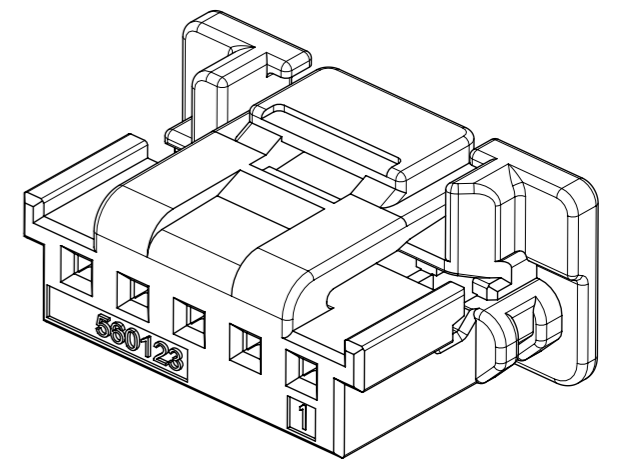
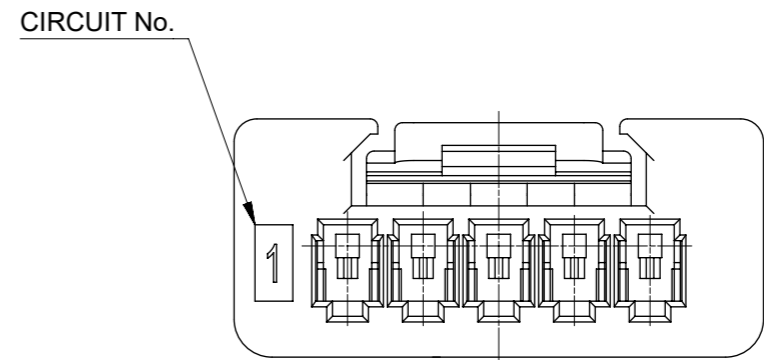
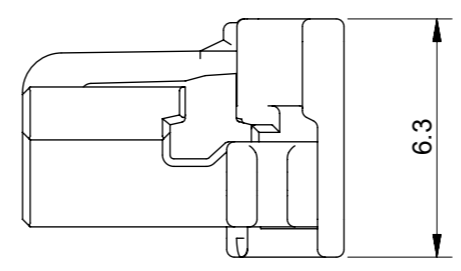
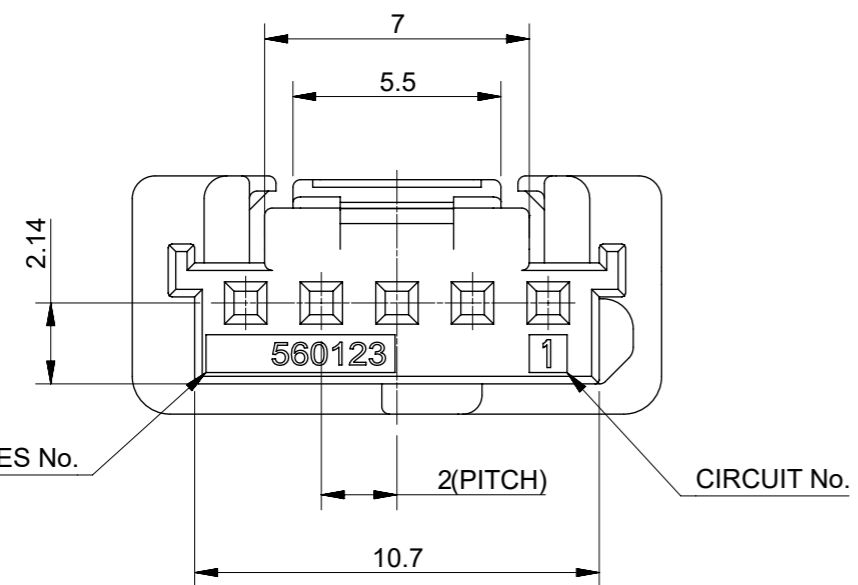
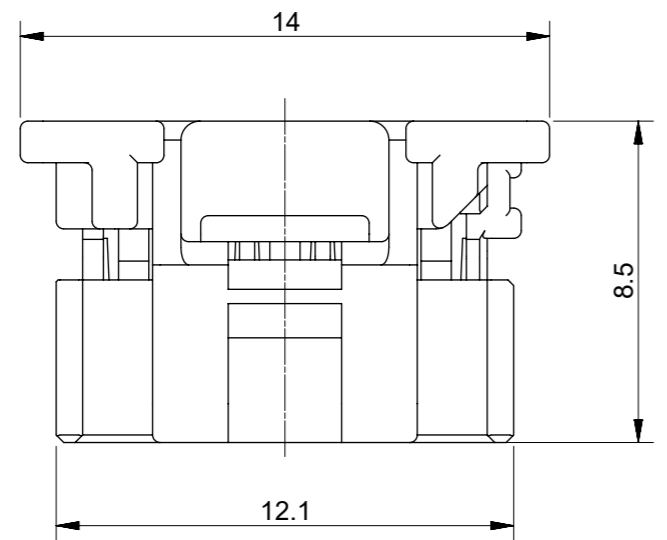
可配插部件

描述	产品编号
DuraClik Right-Angle Single Row Headers	<u>502352</u>
DuraClik Vertical Single Row Headers	<u>560020</u>

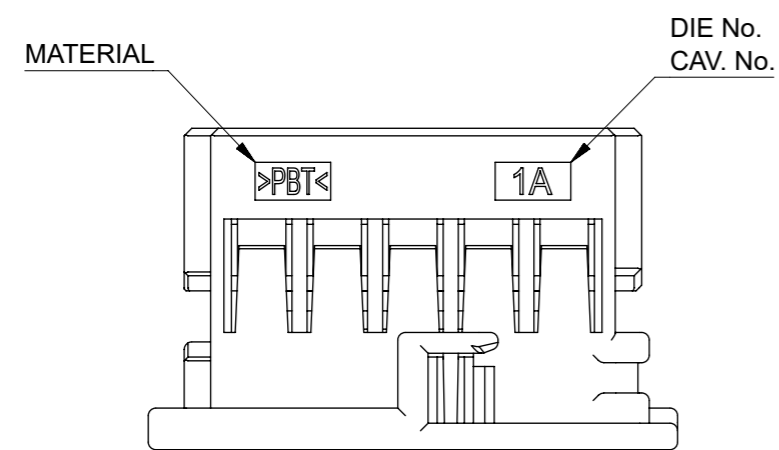
可连接使用部件

描述	产品编号
DuraClik Wire-to-Board Independent Secondary Lock (ISL) Retainer, 5 Circuits, Gray	<u>/content/molex/molex-dot-com/cn/zh/products/product-page.html/5601250500.html</u>
DuraClik ISL Female Crimp Terminals	<u>560124</u>

GENERAL TOLERANCE										USED ON
10 MAX	30 MAX	50 MAX	70 MAX	100 MAX	120 MAX	250 MAX	250 OVER	ANGLE	ECCENT	
±0.15	±0.20	±0.30	±0.40	±0.50	±0.75	±0.90	±1.4	±0.5°	0.1	



ISO VIEW



- NOTES:
1. MATERIALS : POLYESTER (PBT), GLASS UNFILLED, UL94 V-0
 2. MATE WITH : 502352, 560020 SERIES
 3. APPLICABLE TERMINAL : 560124 SERIES
 4. APPLICABLE ISL : 560125 SERIES
 5. GENERAL TOLERANCE : SEE TABLE
 6. EVL AND RoHS COMPLIANT
 7. PRODUCT SPECIFICATION : PS-560123-00*
 8. PACKING SPECIFICATION : PK-560123-001

MATERIAL NUMBER

ORDER NO.	MATERIAL NO.	COLOR
560123-0500	5601230500	WHITE
560123-0501	5601230501	BLACK

FUNCTIONAL SYMBOLS	THIS DRAWING CONTAINS INFORMATION THAT IS PROPRIETARY TO MOLEX ELECTRONIC TECHNOLOGIES, LLC AND SHOULD NOT BE USED WITHOUT WRITTEN PERMISSION	SCALE		CURRENT REV DESC:									
	▽A = 0	mm	5:1	EC NO: 668822									
▽E = 0	GENERAL TOLERANCES (UNLESS SPECIFIED)			DRWN: SAKIM 2021/07/01									
▽F = 0	ANGULAR TOL ± °			CHK'D: HIJIMA 2021/07/05									
DIVISIONAL SYMBOLS	4 PLACES ±			APPR: HIJIMA 2021/07/05									
	3 PLACES ±			INITIAL REVISION:									
	2 PLACES ±			DRWN: SWYOON 2016/10/07									
	1 PLACE ±			APPR: JHJANG 2016/10/18									
0 PLACES ±			DRAFT WHERE APPLICABLE MUST REMAIN WITHIN DIMENSIONS		THIRD ANGLE PROJECTION	DRAWING	SERIES	MATERIAL NUMBER	CUSTOMER	DOCUMENT NUMBER	DOC TYPE	DOC PART	REVISION
				A3-SIZE		560123		SEE TABLE		GENERAL MARKET		5601230500 PSD 005 A2	
												SHEET NUMBER 1 OF 1	