



产品编号 : 5601230900

系列号 : 560123

Product Category : Connector Housings

Product Description : DuraClik ISL Wire-to-Board Receptacle Housing, Single Row, White, 9 Circuits

状态 : Active

文件和资源

图纸

图纸 5601230900_sd.pdf

3D 模型和设计文件

3D模型 5601230900_stp.zip

规格

应用规格 AS-560123-001-001.pdf

包装规格 PK-560123-001-001.pdf

产品规格 PS-560123-001-001.pdf

产品规格 PS-560123-003-001.pdf

产物环境合规

合规

GADSL/IMDS	Compliant
China RoHS	Not Relevant
EU ELV	Compliant per 2000/53/EC
Low-Halogen Status	Not Low-Halogen per IEC 61249-2-21
REACH SVHC	Not Contained per D(2023)8585-DC (23 Jan 2024)
EU RoHS	Compliant per EU 2015/863

多部分产品合规性声明

- Eu RoHS
- REACH SVHC
- Low-Halogen

- IPC 1752A Class C
- IPC 1752A Class D
- Molex Product Compliance Declaration

- IEC-62474

- chemSHERPA (xml)

欧盟 RoHS 合格证书

产品详情

常规

状态	活动
类别	Connector Housings
系列	560123
说明	DuraClik ISL Wire-to-Board Receptacle Housing, Single Row, White, 9 Circuits
应用	Automotive, Signal, Wire-to-Board
产品系列	DuraClik Connector System
产品名称	DuraClik
UPC	191128078290

机构

UL	E29179
----	--------

物理

电路数（最多）	9
颜色-树脂	白色
性别	Receptacle
符合灼热丝规范	否
插接极性	无
锁定插接部位	是
材料 - 树脂	PBT
净重	0.504/g
行数	1
包装形式	Bag
面板安装式	否
间距 - 插配接口	2.00mm
有极性的插配件	是
可堆叠的	否

运行温度范围	-40° to +130° C
--------	-----------------

可配插/可连接使用的产品

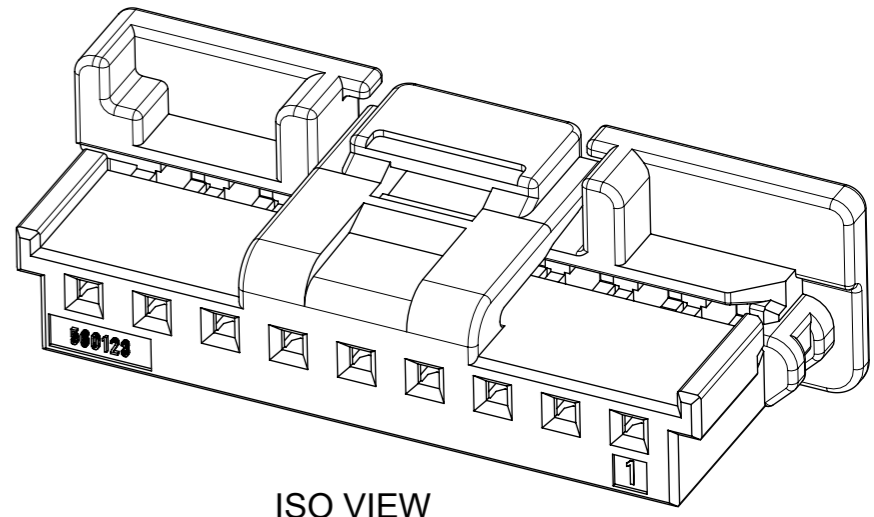
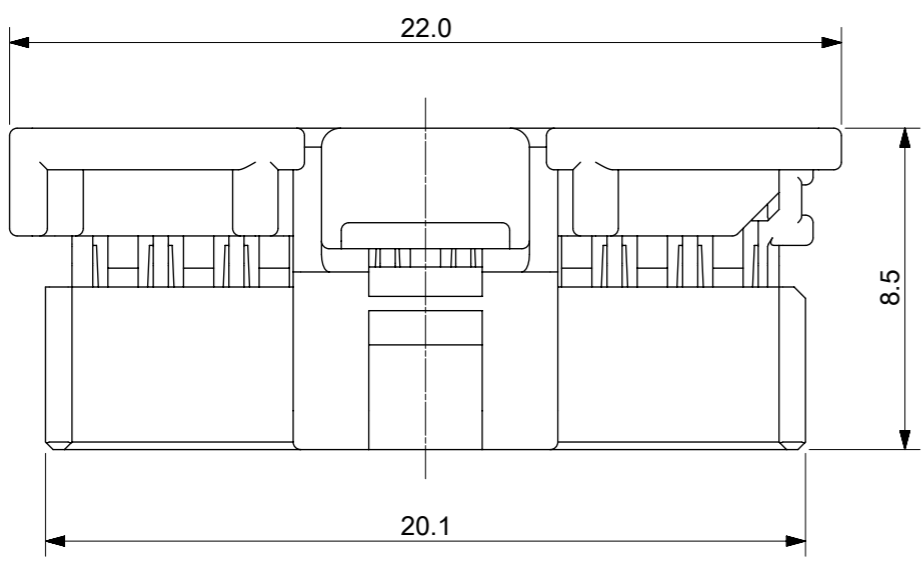
可配插部件

描述	产品编号
DuraClik Right-Angle Single Row Headers	<u>502352</u>
DuraClik Vertical Single Row Headers	<u>560020</u>

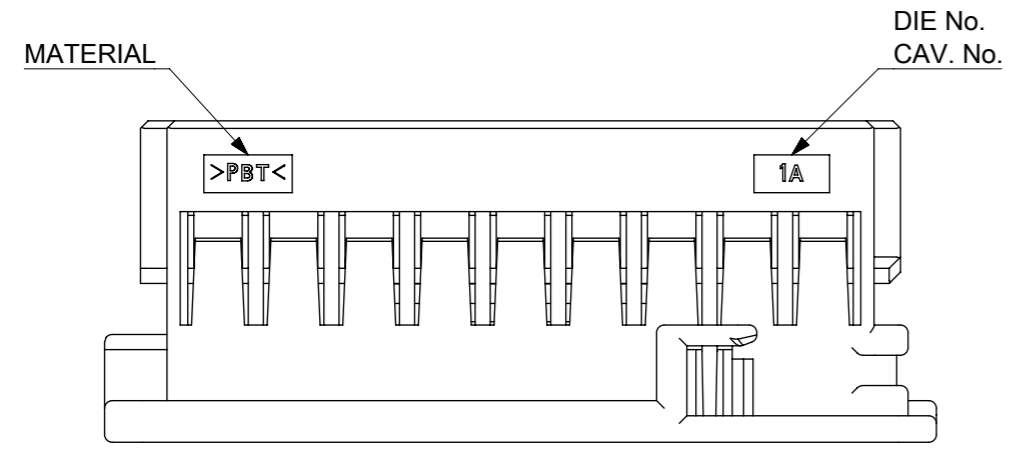
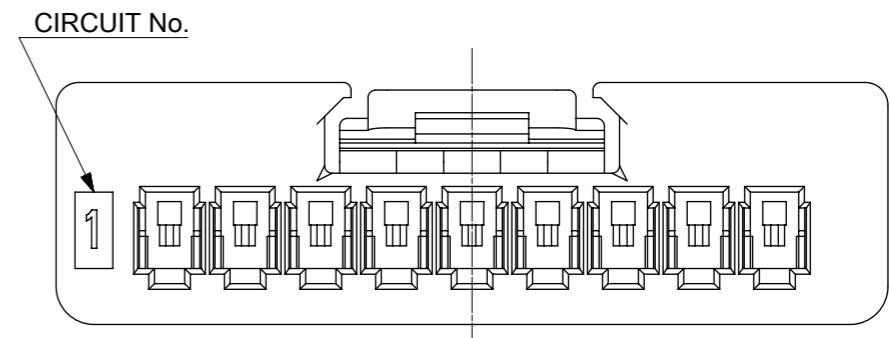
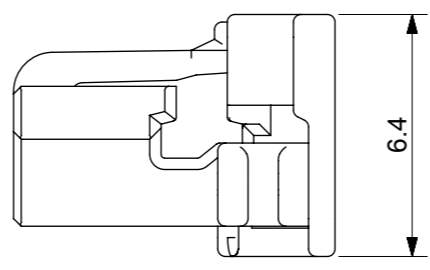
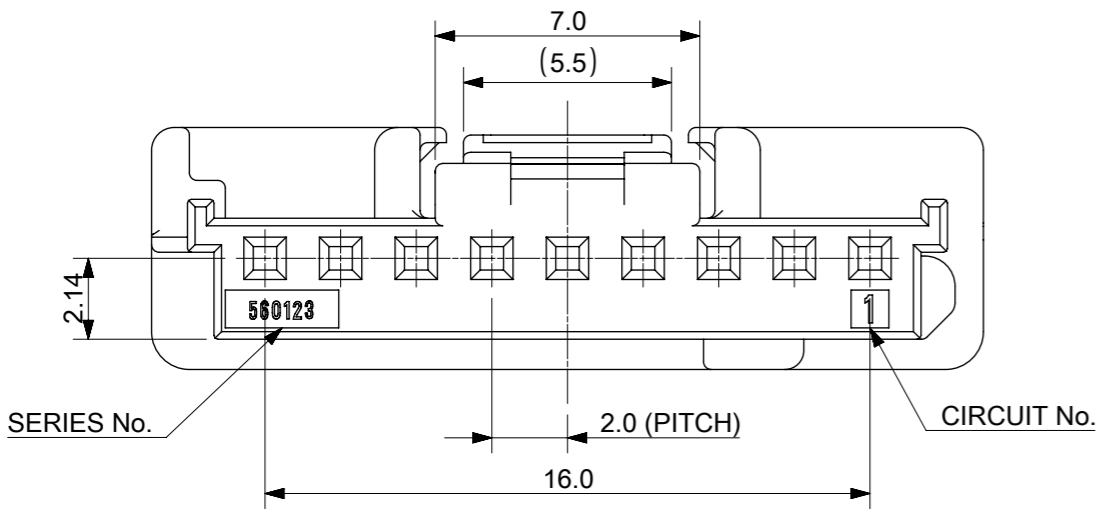
可连接使用部件

描述	产品编号
DuraClik Wire-to-Board Independent Secondary Lock (ISL) Retainer, 9 Circuits, Gray	<u>/content/molex/molex-dot-com/cn/zh/products/product-page.html/5601250900.html</u>
DuraClik ISL Female Crimp Terminals	<u>560124</u>

GENERAL TOLERANCE										USED ON
10 MAX	30 MAX	50 MAX	70 MAX	100 MAX	120 MAX	250 MAX	250 OVER	ANGLE	ECCENT	
±0.15	±0.20	±0.30	±0.40	±0.50	±0.75	±0.90	±1.4	±0.5°	0.1	



ISO VIEW



MATERIAL NUMBER

ORDER NO.	MATERIAL NO.	COLOR
560123-0900	5601230900	WHITE
560123-0901	5601230901	BLACK

- NOTES:
1. MATERIALS : POLYESTER (PBT), GLASS UNFILLED, UL94 V-0
 2. MATE WITH : 502352, 560020 SERIES
 3. APPLICABLE TERMINAL : 560124 SERIES
 4. APPLICABLE ISL : 560125 SERIES
 5. GENERAL TOLERANCE : SEE TABLE
 6. EVL AND RoHS COMPLIANT
 7. PRODUCT SPECIFICATION : PS-560123-00*
 8. PACKING SPECIFICATION : PK-560123-001

FUNCTIONAL SYMBOLS	THIS DRAWING CONTAINS INFORMATION THAT IS PROPRIETARY TO MOLEX ELECTRONIC TECHNOLOGIES, LLC AND SHOULD NOT BE USED WITHOUT WRITTEN PERMISSION	CURRENT REV DESC:																																								
	<table border="1"> <tr> <th>DIMENSION UNITS</th> <th>SCALE</th> </tr> <tr> <td>mm</td> <td>5:1</td> </tr> </table>	DIMENSION UNITS	SCALE				mm	5:1	<table border="1"> <tr> <th>GENERAL TOLERANCES (UNLESS SPECIFIED)</th> <th>ANGULAR TOL</th> </tr> <tr> <td>4 PLACES ± 0.0</td> <td>± 0.0°</td> </tr> <tr> <td>3 PLACES ± 0.0</td> <td></td> </tr> <tr> <td>2 PLACES ± 0.0</td> <td></td> </tr> <tr> <td>1 PLACE ± 0.0</td> <td></td> </tr> <tr> <td>0 PLACES ± 0.0</td> <td></td> </tr> </table>		GENERAL TOLERANCES (UNLESS SPECIFIED)	ANGULAR TOL	4 PLACES ± 0.0	± 0.0°	3 PLACES ± 0.0		2 PLACES ± 0.0		1 PLACE ± 0.0		0 PLACES ± 0.0		<table border="1"> <tr> <td>EC NO: 678937</td> <td>2021/09/24</td> </tr> <tr> <td>DRWN: SAKIM</td> <td>2021/09/27</td> </tr> <tr> <td>CHK'D: HIJIMA</td> <td>2021/09/27</td> </tr> <tr> <td>APPR: HIJIMA</td> <td></td> </tr> </table>		EC NO: 678937	2021/09/24	DRWN: SAKIM	2021/09/27	CHK'D: HIJIMA	2021/09/27	APPR: HIJIMA		<table border="1"> <tr> <td colspan="3">PRODUCT CUSTOMER DRAWING</td> </tr> <tr> <td>DOCUMENT NUMBER</td> <td>DOC TYPE</td> <td>DOC PART</td> <td>REVISION</td> </tr> <tr> <td>5601230900</td> <td>PSD</td> <td>000</td> <td>A3</td> </tr> </table>			PRODUCT CUSTOMER DRAWING			DOCUMENT NUMBER	DOC TYPE	DOC PART	REVISION
DIMENSION UNITS	SCALE																																									
mm	5:1																																									
GENERAL TOLERANCES (UNLESS SPECIFIED)	ANGULAR TOL																																									
4 PLACES ± 0.0	± 0.0°																																									
3 PLACES ± 0.0																																										
2 PLACES ± 0.0																																										
1 PLACE ± 0.0																																										
0 PLACES ± 0.0																																										
EC NO: 678937	2021/09/24																																									
DRWN: SAKIM	2021/09/27																																									
CHK'D: HIJIMA	2021/09/27																																									
APPR: HIJIMA																																										
PRODUCT CUSTOMER DRAWING																																										
DOCUMENT NUMBER	DOC TYPE	DOC PART	REVISION																																							
5601230900	PSD	000	A3																																							
DIVISIONAL SYMBOLS	<table border="1"> <tr> <th>DRAFT WHERE APPLICABLE MUST REMAIN WITHIN DIMENSIONS</th> <th>THIRD ANGLE PROJECTION</th> <th>DRAWING</th> <th>SERIES</th> <th>MATERIAL NUMBER</th> <th>CUSTOMER</th> <th>SHEET NUMBER</th> </tr> <tr> <td></td> <td></td> <td>A3-SIZE</td> <td>560123</td> <td>5601230900</td> <td>GENERAL MARKET</td> <td>1 OF 1</td> </tr> </table>	DRAFT WHERE APPLICABLE MUST REMAIN WITHIN DIMENSIONS	THIRD ANGLE PROJECTION	DRAWING	SERIES	MATERIAL NUMBER	CUSTOMER	SHEET NUMBER			A3-SIZE	560123	5601230900	GENERAL MARKET	1 OF 1																											
DRAFT WHERE APPLICABLE MUST REMAIN WITHIN DIMENSIONS	THIRD ANGLE PROJECTION	DRAWING	SERIES	MATERIAL NUMBER	CUSTOMER	SHEET NUMBER																																				
		A3-SIZE	560123	5601230900	GENERAL MARKET	1 OF 1																																				