



产品编号 : [5601250301](#)

Product Description : DuraClik Wire-to-Board Independent Secondary Lock (ISL) Retainer, 3 Circuits, Black

系列号 : 560125

状态 : Active

Product Category : Connector Accessories



---

## 文件和资源

### 图纸

[图纸 5601250301\\_sd.pdf](#)

### 3D 模型和设计文件

[3D模型 5601250301\\_stp.zip](#)

### 规格

[应用规格 AS-560123-001-001.pdf](#)

[包装规格 PK-560125-001-001.pdf](#)

[产品规格 PS-560123-001-001.pdf](#)

[产品规格 PS-560123-003-001.pdf](#)

---

## 产物环境合规

### 合规

GADSL/IMDS	Compliant
China RoHS	Not Relevant
EU ELV	Compliant per 2000/53/EC
Low-Halogen Status	Not Low-Halogen per IEC 61249-2-21
REACH SVHC	Not Contained per D(2023)3788-DC (14 Jun 2023)
EU RoHS	Compliant per EU 2015/863

### 多部分产品合规性声明

- Eu RoHS
- REACH SVHC
- Low-Halogen

### 多部分行业合规性文件

- IPC 1752A Class C
- IPC 1752A Class D
- Molex Product Compliance Declaration
- IEC-62474
- chemSHERPA (xml)

欧盟 RoHS 合格证书

## 产品详情

### 常规

状态	活动
类别	Connector Accessories
系列	560125
说明	DuraClik Wire-to-Board Independent Secondary Lock (ISL) Retainer, 3 Circuits, Black
应用	汽车
元件类型	Independent Secondary Lock
产品系列	DuraClik Connector System
产品名称	DuraClik
UPC	889056009560

### 物理

回路数 (已载入)	3
电路数 (最多)	3
颜色-树脂	黑色
锁定插接部位	是
材料 - 树脂	PBT
净重	0.053/g
行数	1
包装形式	Bag
有极性的插配件	是
运行温度范围	-40° to +130° C

### 进程

无铅	不适用
----	-----

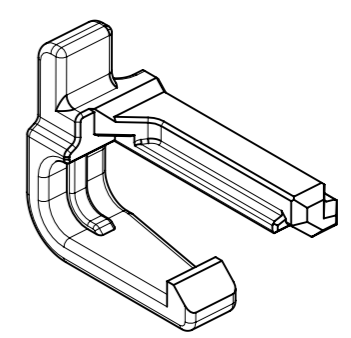
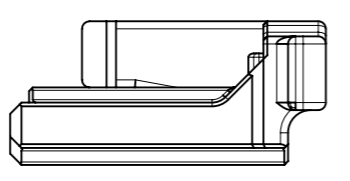
---

## 可连接使用部件

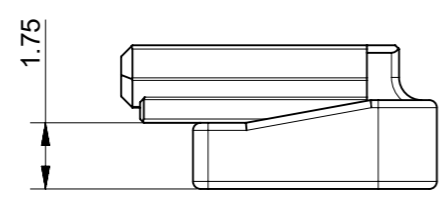
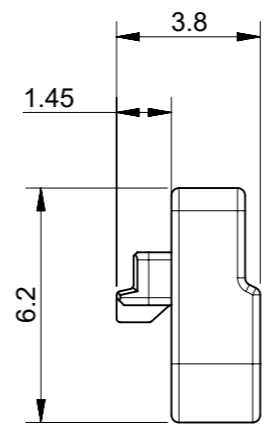
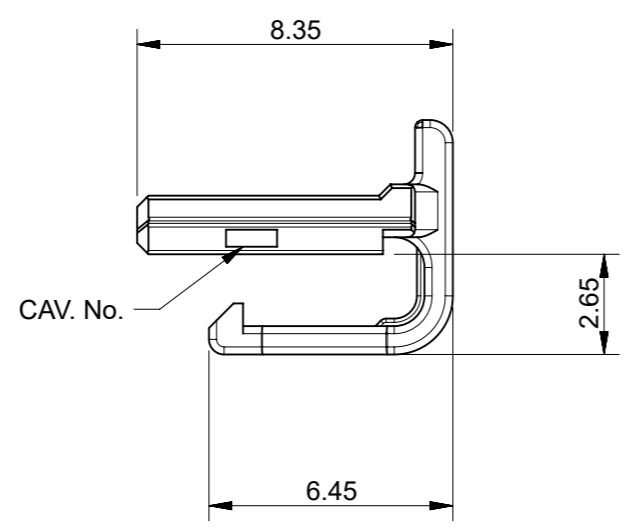
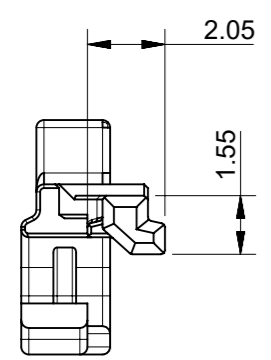
描述	产品编号
DuraClik ISL Wire-to-Board Receptacle Housing, Single Row, White, 3 Circuits	<a href="/content/molex/molex-dot-com/cn/zh/products/product-page.html/5601230300.html">/content/molex/molex-dot-com/cn/zh/products/product-page.html/5601230300.html</a>
DuraClik ISL Wire-to-Board Receptacle Housing, Single Row, Black, 3 Circuits	<a href="/content/molex/molex-dot-com/cn/zh/products/product-page.html/5601230301.html">/content/molex/molex-dot-com/cn/zh/products/product-page.html/5601230301.html</a>
DuraClik ISL Wire-to-Board Receptacle Housing, Single Row, Red, 3 Circuits	<a href="/content/molex/molex-dot-com/cn/zh/products/product-page.html/5601230302.html">/content/molex/molex-dot-com/cn/zh/products/product-page.html/5601230302.html</a>
DuraClik ISL Wire-to-Board Receptacle Housing, Single Row, Blue, 3 Circuits	<a href="/content/molex/molex-dot-com/cn/zh/products/product-page.html/5601230304.html">/content/molex/molex-dot-com/cn/zh/products/product-page.html/5601230304.html</a>

---

GENERAL TOLERANCE										USED ON
10 MAX	30 MAX	50 MAX	70 MAX	100 MAX	120 MAX	250 MAX	250 OVER	ANGLE	ECCENT	
±0.15	±0.20	±0.30	±0.40	±0.50	±0.75	±0.90	±1.4	±0.5°	0.1	



ISO VIEW



MATERIAL NUMBER

ORDER NO.	MATERIAL NO.	COLOR
560125-0300	5601250300	GRAY
560125-0301	5601250301	BLACK

- NOTES:
1. MATERIALS : POLYESTER (PBT)-GF17, UL94 V-0
  2. APPLICABLE HOUSING : 560123 SERIES
  3. GENERAL TOLERANCE : SEE TABLE
  4. EVL AND RoHS COMPLIANT
  5. PRODUCT SPECIFICATION : PS-560123-00\*
  6. PACKING SPECIFICATION : PK-560125-001

FUNCTIONAL SYMBOLS	THIS DRAWING CONTAINS INFORMATION THAT IS PROPRIETARY TO MOLEX ELECTRONIC TECHNOLOGIES, LLC AND SHOULD NOT BE USED WITHOUT WRITTEN PERMISSION	CURRENT REV DESC: DRAWING REMASTERED																																																	
	<table border="1"> <tr> <th>FUNCTIONAL SYMBOLS</th> <th>DIMENSION UNITS</th> <th>SCALE</th> </tr> <tr> <td><math>\nabla_A = 0</math></td> <td>mm</td> <td>5:1</td> </tr> <tr> <td><math>\nabla_E = 0</math></td> <td colspan="2">GENERAL TOLERANCES (UNLESS SPECIFIED)</td> </tr> <tr> <td><math>\nabla_V = 0</math></td> <td colspan="2">ANGULAR TOL ± °</td> </tr> <tr> <td></td> <td>4 PLACES</td> <td>±</td> </tr> <tr> <td></td> <td>3 PLACES</td> <td>±</td> </tr> <tr> <td></td> <td>2 PLACES</td> <td>±</td> </tr> <tr> <td></td> <td>1 PLACE</td> <td>±</td> </tr> <tr> <td></td> <td>0 PLACES</td> <td>±</td> </tr> </table>	FUNCTIONAL SYMBOLS	DIMENSION UNITS				SCALE	$\nabla_A = 0$	mm	5:1	$\nabla_E = 0$	GENERAL TOLERANCES (UNLESS SPECIFIED)		$\nabla_V = 0$	ANGULAR TOL ± °			4 PLACES	±		3 PLACES	±		2 PLACES	±		1 PLACE	±		0 PLACES	±	<table border="1"> <tr> <td>EC NO: 641821</td> <td>2020/07/17</td> </tr> <tr> <td>DRWN: SAKIM</td> <td>2020/07/27</td> </tr> <tr> <td>CHK'D: TOSADA</td> <td>2020/07/27</td> </tr> <tr> <td>APPR: TOSADA</td> <td>2020/07/27</td> </tr> </table>	EC NO: 641821	2020/07/17	DRWN: SAKIM	2020/07/27	CHK'D: TOSADA	2020/07/27	APPR: TOSADA	2020/07/27	<table border="1"> <tr> <td colspan="3">PRODUCT CUSTOMER DRAWING</td> </tr> <tr> <td>DOCUMENT NUMBER</td> <td>DOC TYPE</td> <td>DOC PART</td> </tr> <tr> <td>SD-560125-003</td> <td>PSD</td> <td>001</td> </tr> <tr> <td>REVISION</td> <td colspan="2">B2</td> </tr> </table>			PRODUCT CUSTOMER DRAWING			DOCUMENT NUMBER	DOC TYPE	DOC PART	SD-560125-003	PSD
FUNCTIONAL SYMBOLS	DIMENSION UNITS	SCALE																																																	
$\nabla_A = 0$	mm	5:1																																																	
$\nabla_E = 0$	GENERAL TOLERANCES (UNLESS SPECIFIED)																																																		
$\nabla_V = 0$	ANGULAR TOL ± °																																																		
	4 PLACES	±																																																	
	3 PLACES	±																																																	
	2 PLACES	±																																																	
	1 PLACE	±																																																	
	0 PLACES	±																																																	
EC NO: 641821	2020/07/17																																																		
DRWN: SAKIM	2020/07/27																																																		
CHK'D: TOSADA	2020/07/27																																																		
APPR: TOSADA	2020/07/27																																																		
PRODUCT CUSTOMER DRAWING																																																			
DOCUMENT NUMBER	DOC TYPE	DOC PART																																																	
SD-560125-003	PSD	001																																																	
REVISION	B2																																																		
DIVISIONAL SYMBOLS	<table border="1"> <tr> <td>INITIAL REVISION:</td> <td>2014/07/08</td> </tr> <tr> <td>DRWN: YIBAEK</td> <td>2014/08/26</td> </tr> <tr> <td>APPR: SRTAK</td> <td></td> </tr> </table>	INITIAL REVISION:	2014/07/08	DRWN: YIBAEK	2014/08/26	APPR: SRTAK		<table border="1"> <tr> <td>DRAFT WHERE APPLICABLE MUST REMAIN WITHIN DIMENSIONS</td> <td>THIRD ANGLE PROJECTION</td> <td>DRAWING</td> <td>SERIES</td> <td>MATERIAL NUMBER</td> <td>CUSTOMER</td> <td>SHEET NUMBER</td> </tr> <tr> <td></td> <td></td> <td>A3-SIZE</td> <td>560125</td> <td>SEE TABLE</td> <td>GENERAL MARKET</td> <td>1 OF 1</td> </tr> </table>	DRAFT WHERE APPLICABLE MUST REMAIN WITHIN DIMENSIONS	THIRD ANGLE PROJECTION	DRAWING	SERIES	MATERIAL NUMBER	CUSTOMER	SHEET NUMBER			A3-SIZE	560125	SEE TABLE	GENERAL MARKET	1 OF 1																													
INITIAL REVISION:	2014/07/08																																																		
DRWN: YIBAEK	2014/08/26																																																		
APPR: SRTAK																																																			
DRAFT WHERE APPLICABLE MUST REMAIN WITHIN DIMENSIONS	THIRD ANGLE PROJECTION	DRAWING	SERIES	MATERIAL NUMBER	CUSTOMER	SHEET NUMBER																																													
		A3-SIZE	560125	SEE TABLE	GENERAL MARKET	1 OF 1																																													