

产品编号 : 5601250800

Product Description : DuraClik Wire-to-Board Independent Secondary Lock (ISL) Retainer, 8 Circuits, Gray

系列号 : 560125

状态 : Active

Product Category : Connector Accessories



## 文件和资源

### 图纸

图纸 5601250800\_sd.pdf

### 3D 模型和设计文件

3D模型 5601250800\_stp.zip

### 规格

应用规格 AS-560123-001-001.pdf


包装规格 PK-560125-001-001.pdf

产品规格 PS-560123-001-001.pdf

产品规格 PS-560123-003-001.pdf

## 产物环境合规

### 合规

GADSL/IMDS	Compliant
China RoHS	
EU ELV	Compliant per 2000/53/EC
Low-Halogen Status	Not Low-Halogen per IEC 61249-2-21
REACH SVHC	Not Contained per D(2023)3788-DC (14 Jun 2023)
EU RoHS	Compliant per EU 2015/863

### 多部分产品合规性声明

- Eu RoHS
- REACH SVHC
- Low-Halogen

### 多部分行业合规性文件

- IPC 1752A Class C
- IPC 1752A Class D
- Molex Product Compliance Declaration
- IEC-62474
- chemSHERPA (xml)

欧盟 RoHS 合格证书

## 产品详情

### 常规

状态	活动
类别	Connector Accessories
系列	560125
说明	DuraClik Wire-to-Board Independent Secondary Lock (ISL) Retainer, 8 Circuits, Gray
应用	汽车
元件类型	Independent Secondary Lock
产品系列	DuraClik Connector System
产品名称	DuraClik
UPC	889056009584

### 物理

回路数 (已载入)	8
电路数 (最多)	8
颜色-树脂	灰色
锁定插接部位	是
材料 - 树脂	PBT
净重	0.084/g
行数	1
包装形式	Bag
有极性的插配件	是
运行温度范围	-40° to +130° C

### 进程

无铅	不适用
----	-----

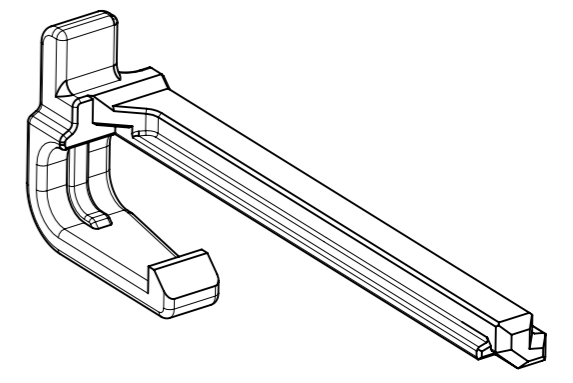
---

## 可连接使用部件

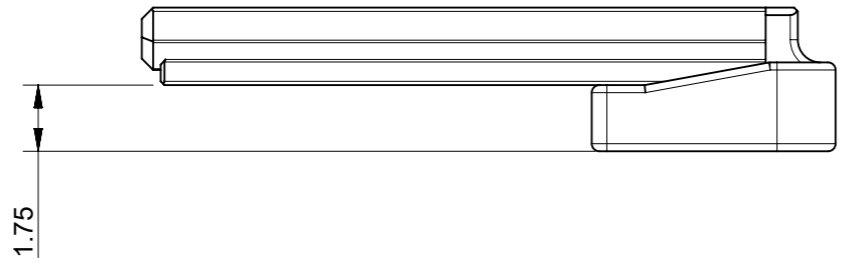
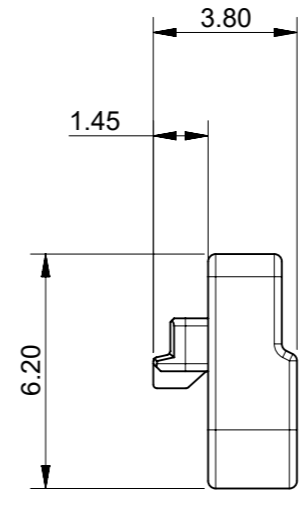
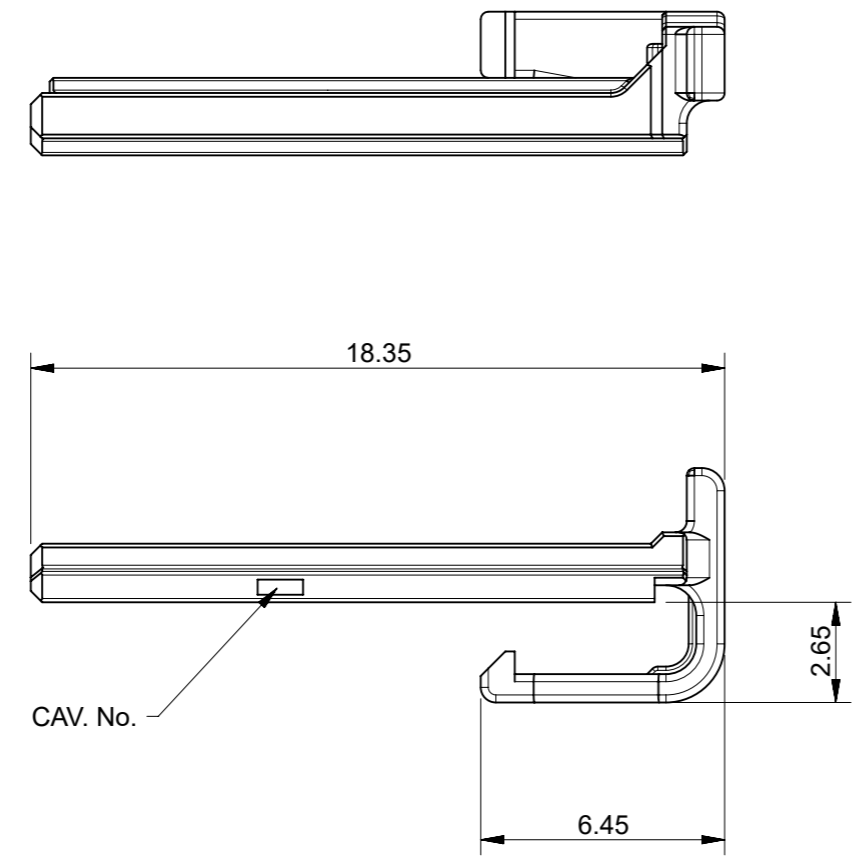
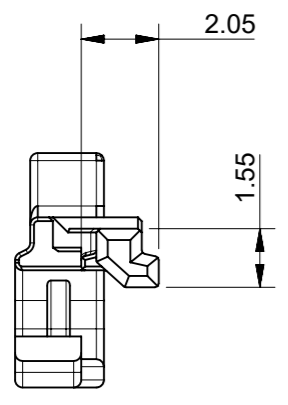
描述	产品编号
DuraClik ISL Wire-to-Board Receptacle Housing, Single Row, White, 8 Circuits	<a href="/content/molex/molex-dot-com/cn/zh/products/product-page.html/5601230800.html">/content/molex/molex-dot-com/cn/zh/products/product-page.html/5601230800.html</a>
DuraClik ISL Wire-to-Board Receptacle Housing, Single Row, Black, 8 Circuits	<a href="/content/molex/molex-dot-com/cn/zh/products/product-page.html/5601230801.html">/content/molex/molex-dot-com/cn/zh/products/product-page.html/5601230801.html</a>
DuraClik ISL Wire-to-Board Receptacle Housing, Single Row, Red, 8 Circuits	<a href="/content/molex/molex-dot-com/cn/zh/products/product-page.html/5601230802.html">/content/molex/molex-dot-com/cn/zh/products/product-page.html/5601230802.html</a>
DuraClik ISL Wire-to-Board Receptacle Housing, Single Row, Blue, 8 Circuits	<a href="/content/molex/molex-dot-com/cn/zh/products/product-page.html/5601230804.html">/content/molex/molex-dot-com/cn/zh/products/product-page.html/5601230804.html</a>

---

GENERAL TOLERANCE									USED ON	
10 MAX	30 MAX	50 MAX	70 MAX	100 MAX	120 MAX	250 MAX	250 OVER	ANGLE		ECCENT
±0.15	±0.20	±0.30	±0.40	±0.50	±0.75	±0.90	±1.4	±0.5°	0.1	



ISO VIEW



MATERIAL NUMBER

ORDER NO.	MATERIAL NO.	COLOR
560125-0800	5601250800	GRAY

- NOTES:
1. MATERIALS : POLYESTER (PBT)-GF17, UL94 V-0
  2. APPLICABLE HOUSING : 560123 SERIES
  3. GENERAL TOLERANCE : SEE TABLE
  4. EVL AND RoHS COMPLIANT
  5. PRODUCT SPECIFICATION : PS-560123-00\*
  6. PACKING SPECIFICATION : PK-560125-001

FUNCTIONAL SYMBOLS	THIS DRAWING CONTAINS INFORMATION THAT IS PROPRIETARY TO MOLEX ELECTRONIC TECHNOLOGIES, LLC AND SHOULD NOT BE USED WITHOUT WRITTEN PERMISSION	CURRENT REV DESC: DRAWING REMASTERED																																																
	<table border="1"> <tr> <th>FUNCTIONAL SYMBOLS</th> <th>DIMENSION UNITS</th> <th>SCALE</th> </tr> <tr> <td><math>\nabla_A = 0</math></td> <td>mm</td> <td>5:1</td> </tr> <tr> <td colspan="3">GENERAL TOLERANCES (UNLESS SPECIFIED)</td> </tr> <tr> <td><math>\nabla_E = 0</math></td> <td colspan="2">ANGULAR TOL ± °</td> </tr> <tr> <td><math>\nabla_F = 0</math></td> <td colspan="2">4 PLACES ±</td> </tr> <tr> <td rowspan="5">DIVISIONAL SYMBOLS</td> <td>3 PLACES ±</td> <td>EC NO: 641821</td> <td>2020/07/17</td> </tr> <tr> <td>2 PLACES ±</td> <td>DRWN: SAKIM</td> <td>2020/07/27</td> </tr> <tr> <td>1 PLACE ±</td> <td>CHK'D: TOSADA</td> <td>2020/07/27</td> </tr> <tr> <td>0 PLACES ±</td> <td>APPR: TOSADA</td> <td>2020/07/27</td> </tr> <tr> <td colspan="2">INITIAL REVISION:</td> <td>2014/07/09</td> <td>2014/08/26</td> </tr> <tr> <td colspan="2">DRWN: YIBAEK</td> <td>2014/07/09</td> <td>2014/08/26</td> </tr> <tr> <td colspan="2">APPR: SRTAK</td> <td>2014/07/09</td> <td>2014/08/26</td> </tr> </table>	FUNCTIONAL SYMBOLS	DIMENSION UNITS				SCALE	$\nabla_A = 0$	mm	5:1	GENERAL TOLERANCES (UNLESS SPECIFIED)			$\nabla_E = 0$	ANGULAR TOL ± °		$\nabla_F = 0$	4 PLACES ±		DIVISIONAL SYMBOLS	3 PLACES ±	EC NO: 641821	2020/07/17	2 PLACES ±	DRWN: SAKIM	2020/07/27	1 PLACE ±	CHK'D: TOSADA	2020/07/27	0 PLACES ±	APPR: TOSADA	2020/07/27	INITIAL REVISION:		2014/07/09	2014/08/26	DRWN: YIBAEK		2014/07/09	2014/08/26	APPR: SRTAK		2014/07/09	2014/08/26	<table border="1"> <tr> <th>DOCUMENT NUMBER</th> <th>DOC TYPE</th> <th>DOC PART</th> <th>REVISION</th> </tr> <tr> <td>SD-560125-005</td> <td>PSD</td> <td>001</td> <td>A1</td> </tr> </table>		DOCUMENT NUMBER	DOC TYPE	DOC PART	REVISION
FUNCTIONAL SYMBOLS	DIMENSION UNITS	SCALE																																																
$\nabla_A = 0$	mm	5:1																																																
GENERAL TOLERANCES (UNLESS SPECIFIED)																																																		
$\nabla_E = 0$	ANGULAR TOL ± °																																																	
$\nabla_F = 0$	4 PLACES ±																																																	
DIVISIONAL SYMBOLS	3 PLACES ±	EC NO: 641821	2020/07/17																																															
	2 PLACES ±	DRWN: SAKIM	2020/07/27																																															
	1 PLACE ±	CHK'D: TOSADA	2020/07/27																																															
	0 PLACES ±	APPR: TOSADA	2020/07/27																																															
	INITIAL REVISION:		2014/07/09	2014/08/26																																														
DRWN: YIBAEK		2014/07/09	2014/08/26																																															
APPR: SRTAK		2014/07/09	2014/08/26																																															
DOCUMENT NUMBER	DOC TYPE	DOC PART	REVISION																																															
SD-560125-005	PSD	001	A1																																															
DRAFT WHERE APPLICABLE MUST REMAIN WITHIN DIMENSIONS		THIRD ANGLE PROJECTION	DRAWING	SERIES	MATERIAL NUMBER	CUSTOMER	SHEET NUMBER																																											
			A3-SIZE	560125	5601250800	GENERAL MARKET	1 OF 1																																											