



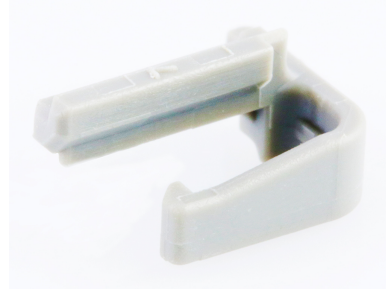
产品编号 : [5601250300](#)

Product Description : DuraClik Wire-to-Board Independent Secondary Lock (ISL) Retainer, 3 Circuits, Gray

系列号 : 560125

状态 : Active

Product Category : Connector Accessories



文件和资源

图纸

[图纸 5601250300_sd.pdf](#)

3D 模型和设计文件

[3D模型 5601250300_stp.zip](#)

规格

[应用规格 AS-560123-001-001.pdf](#)


[包装规格 PK-560125-001-001.pdf](#)

[产品规格 PS-560123-001-001.pdf](#)

[产品规格 PS-560123-003-001.pdf](#)

产物环境合规

合规

GADSL/IMDS	Compliant
China RoHS	
EU ELV	Compliant per 2000/53/EC
Low-Halogen Status	Not Low-Halogen per IEC 61249-2-21
REACH SVHC	Not Contained per D(2023)3788-DC (14 Jun 2023)
EU RoHS	Compliant per EU 2015/863

多部分产品合规性声明

- Eu RoHS
- REACH SVHC
- Low-Halogen

多部分行业合规性文件

- IPC 1752A Class C
- IPC 1752A Class D
- Molex Product Compliance Declaration
- IEC-62474
- chemSHERPA (xml)

欧盟 RoHS 合格证书

产品详情

常规

状态	活动
类别	Connector Accessories
系列	560125
说明	DuraClik Wire-to-Board Independent Secondary Lock (ISL) Retainer, 3 Circuits, Gray
应用	汽车
元件类型	Independent Secondary Lock
产品系列	DuraClik Connector System
产品名称	DuraClik
UPC	889056288279

物理

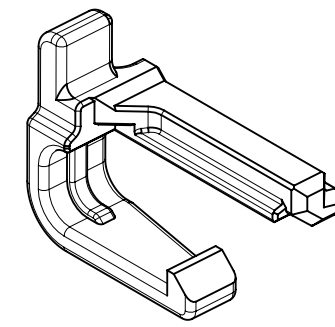
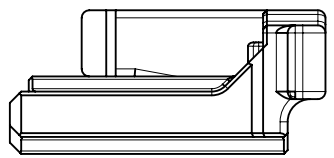
回路数 (已载入)	3
电路数 (最多)	3
颜色-树脂	灰色
锁定插接部位	是
材料 - 树脂	PBT
净重	0.053/g
行数	1
包装形式	Bag
有极性的插配件	是
运行温度范围	-40° to +130° C

可连接使用部件

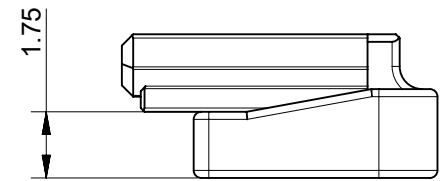
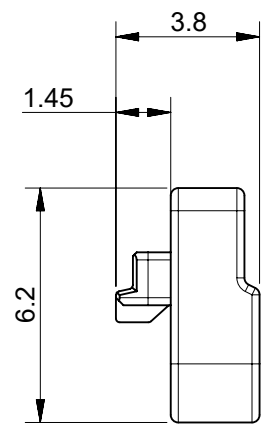
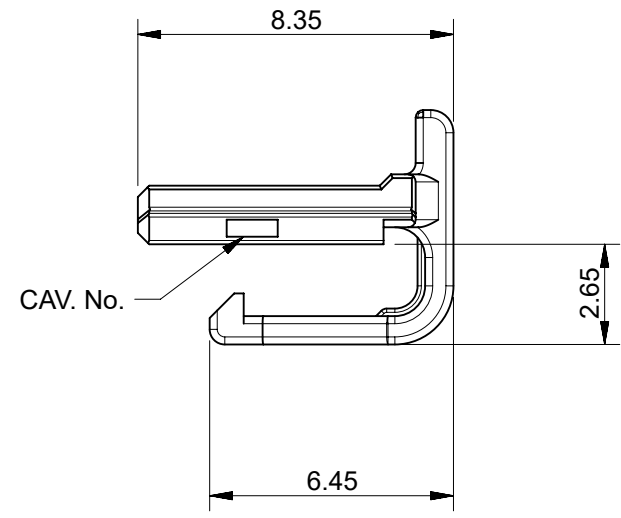
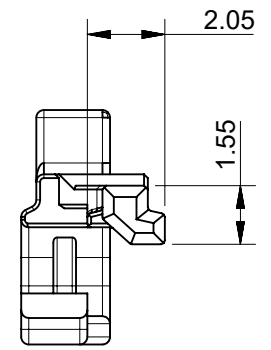
描述	产品编号
----	------

DuraClik ISL Wire-to-Board Receptacle Housing, Single Row, White, 3 Circuits	/content/molex/molex-dot-com/cn/zh/products/product-page.html/5601230300.html
DuraClik ISL Wire-to-Board Receptacle Housing, Single Row, Black, 3 Circuits	/content/molex/molex-dot-com/cn/zh/products/product-page.html/5601230301.html
DuraClik ISL Wire-to-Board Receptacle Housing, Single Row, Red, 3 Circuits	/content/molex/molex-dot-com/cn/zh/products/product-page.html/5601230302.html
DuraClik ISL Wire-to-Board Receptacle Housing, Single Row, Blue, 3 Circuits	/content/molex/molex-dot-com/cn/zh/products/product-page.html/5601230304.html

GENERAL TOLERANCE										USED ON
10 MAX	30 MAX	50 MAX	70 MAX	100 MAX	120 MAX	250 MAX	250 OVER	ANGLE	ECCENT	
±0.15	±0.20	±0.30	±0.40	±0.50	±0.75	±0.90	±1.4	±0.5°	0.1	



ISO VIEW



MATERIAL NUMBER

ORDER NO.	MATERIAL NO.	COLOR
560125-0300	5601250300	GRAY
560125-0301	5601250301	BLACK

- NOTES:
1. MATERIALS : POLYESTER (PBT)-GF17, UL94 V-0
 2. APPLICABLE HOUSING : 560123 SERIES
 3. GENERAL TOLERANCE : SEE TABLE
 4. EVL AND RoHS COMPLIANT
 5. PRODUCT SPECIFICATION : PS-560123-00*
 6. PACKING SPECIFICATION : PK-560125-001

FUNCTIONAL SYMBOLS	THIS DRAWING CONTAINS INFORMATION THAT IS PROPRIETARY TO MOLEX ELECTRONIC TECHNOLOGIES, LLC AND SHOULD NOT BE USED WITHOUT WRITTEN PERMISSION	CURRENT REV DESC: DRAWING REMASTERED		molex		
	EC NO: 641821	2020/07/17				
	GENERAL TOLERANCES (UNLESS SPECIFIED)	DRWN: SAKIM	2020/07/27	PRODUCT CUSTOMER DRAWING		
	ANGULAR TOL ± °	CHK'D: TOSADA	2020/07/27	DOCUMENT NUMBER		
4 PLACES ±	APPR: TOSADA	2020/07/27	SD-560125-003	DOC TYPE	DOC PART	REVISION
3 PLACES ±	INITIAL REVISION:	2014/07/08	SEE TABLE	PSD	001	B2
2 PLACES ±	DRWN: YIBAEK	2014/08/26	MATERIAL NUMBER	CUSTOMER	SHEET NUMBER	
1 PLACE ±	APPR: SRTAK		A3-SIZE	GENERAL MARKET	1 OF 1	
0 PLACES ±	DRAFT WHERE APPLICABLE MUST REMAIN WITHIN DIMENSIONS	THIRD ANGLE PROJECTION	SERIES			