



产品编号 : 5601251200

系列号 : 560125

Product Category : Connector Accessories

Product Description : DuraClik Wire-to-Board Independent Secondary Lock (ISL) Retainer, 12 Circuits, Gray

状态 : Active

文件和资源

图纸

图纸 5601251200_sd.pdf

3D 模型和设计文件

3D模型 5601251200_stp.zip

规格

应用规格 AS-560123-001-001.pdf


包装规格 PK-560125-001-001.pdf

产品规格 PS-560123-001-001.pdf

产品规格 PS-560123-003-001.pdf

产物环境合规

合规

GADSL/IMDS	Compliant
China RoHS	
EU ELV	Compliant per 2000/53/EC
Low-Halogen Status	Not Low-Halogen per IEC 61249-2-21
REACH SVHC	Not Contained per D(2023)8585-DC (23 Jan 2024)
EU RoHS	Compliant per EU 2015/863

多部分产品合规性声明

- Eu RoHS
- REACH SVHC
- Low-Halogen

- IPC 1752A Class C
- IPC 1752A Class D
- Molex Product Compliance Declaration

- IEC-62474

- chemSHERPA (xml)

欧盟 RoHS 合格证书

产品详情

常规

状态	活动
类别	Connector Accessories
系列	560125
说明	DuraClik Wire-to-Board Independent Secondary Lock (ISL) Retainer, 12 Circuits, Gray
应用	汽车
元件类型	Independent Secondary Lock
产品系列	DuraClik Connector System
产品名称	DuraClik
UPC	889056359917

物理

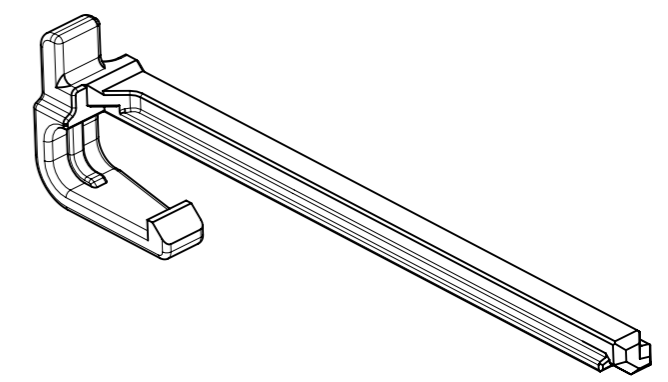
回路数 (已载入)	12
电路数 (最多)	12
颜色-树脂	灰色
锁定插接部位	是
材料 - 树脂	PBT
净重	0.124/g
行数	1
包装形式	Bag
有极性的插配件	是
运行温度范围	-40° to +130° C

可连接使用部件

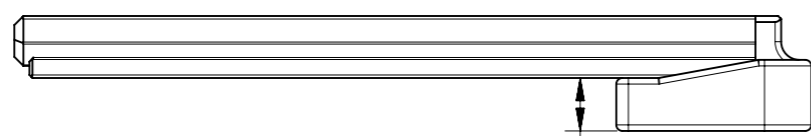
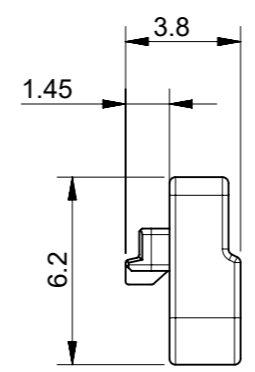
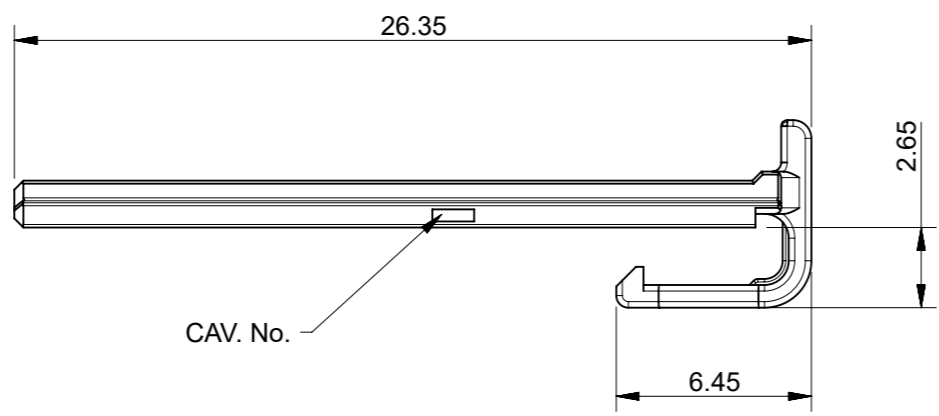
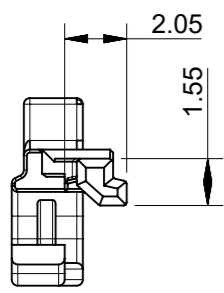
描述	产品编号
DuraClik ISL Wire-to-Board Receptacle Housing, Single Row, White, 12 Circuits	/content/molex/molex-dot-com/cn/zh/products/product-page.html/5601231200.html

This document was generated on Jun 30, 2024

GENERAL TOLERANCE										USED ON
10 MAX	30 MAX	50 MAX	70 MAX	100 MAX	120 MAX	250 MAX	250 OVER	ANGLE	ECCENT	
±0.15	±0.20	±0.30	±0.40	±0.50	±0.75	±0.90	±1.4	±0.5°	0.1	



ISO VIEW



MATERIAL NUMBER

ORDER NO.	MATERIAL NO.	COLOR
560125-1200	5601251200	GRAY

- NOTES:
1. MATERIALS : POLYESTER (PBT)-GF17, UL94 V-0
 2. APPLICABLE HOUSING : 560123 SERIES
 3. GENERAL TOLERANCE : SEE TABLE
 4. EVL AND RoHS COMPLIANT
 5. PRODUCT SPECIFICATION : PS-560123-00*
 6. PACKING SPECIFICATION : PK-560125-001

FUNCTIONAL SYMBOLS	THIS DRAWING CONTAINS INFORMATION THAT IS PROPRIETARY TO MOLEX ELECTRONIC TECHNOLOGIES, LLC AND SHOULD NOT BE USED WITHOUT WRITTEN PERMISSION		CURRENT REV DESC: DRAWING REMASTERED		molex	
	$\nabla_A = 0$ $\nabla_E = 0$ $\nabla_V = 0$	DIMENSION UNITS: mm SCALE: 4:1	GENERAL TOLERANCES (UNLESS SPECIFIED) ANGULAR TOL ± °			NEW 2.0 PITCH W/B CONN. REC. 12WAY ISL DURACLIC ISL SERIES
DIVISIONAL SYMBOLS	4 PLACES ±	EC NO: 641821	2020/07/17	PRODUCT CUSTOMER DRAWING		
	3 PLACES ±	DRWN: SAKIM	2020/07/27			
	2 PLACES ±	CHK'D: TOSADA	2020/07/27	DOCUMENT NUMBER: SD-560125-007		
	1 PLACE ±	APPR: TOSADA				DOC TYPE: PSD
	0 PLACES ±	INITIAL REVISION:		MATERIAL NUMBER: 5601251200		
		DRWN: SJLEE06	2015/10/27			CUSTOMER: GENERAL MARKET
DRAFT WHERE APPLICABLE MUST REMAIN WITHIN DIMENSIONS		THIRD ANGLE PROJECTION	DRAWING: A3-SIZE	SERIES: 560125		