



产品编号 : 5601341462

**Product Description** : 2.40mm, 3.00mm, 5.00mm Pitch Compactus PCB Header, 146 Circuits, Right-Angle, Black

系列号 : 560134

**状态** : Active

**Product Category** : PCB Headers and Receptacles

---

## 文件和资源


### 图纸

图纸 [5601341462\\_sd.pdf](#)

---

## 产物环境合规

### 合规

GADSL/IMDS	Compliant with Exemption 44; 33
China RoHS	
EU ELV	Compliant per 2000/53/EC
Low-Halogen Status	Low-Halogen per IEC 61249-2-21
REACH SVHC	Not Contained per D(2023)8585-DC (23 Jan 2024)
EU RoHS	Compliant per EU 2015/863

### 多部分产品合规性声明

- Eu RoHS
- REACH SVHC
- Low-Halogen
- IPC 1752A Class C
- IPC 1752A Class D
- Molex Product Compliance Declaration
- IEC-62474
- chemSHERPA (xml)

### 欧盟 RoHS 合格证书

---

## 产品详情

### 常规

状态	活动
----	----

类别	PCB Headers and Receptacles
系列	560134
说明	2.40mm, 3.00mm, 5.00mm Pitch Compactus PCB Header, 146 Circuits, Right-Angle, Black
应用	Automotive, Board-to-Board, Wire-to-Board
元件类型	PCB Header
产品系列	Compactus
产品名称	Compactus
UPC	889056279574

## 电气

每触点最大电流	15.0A
电压 - 最大	250V

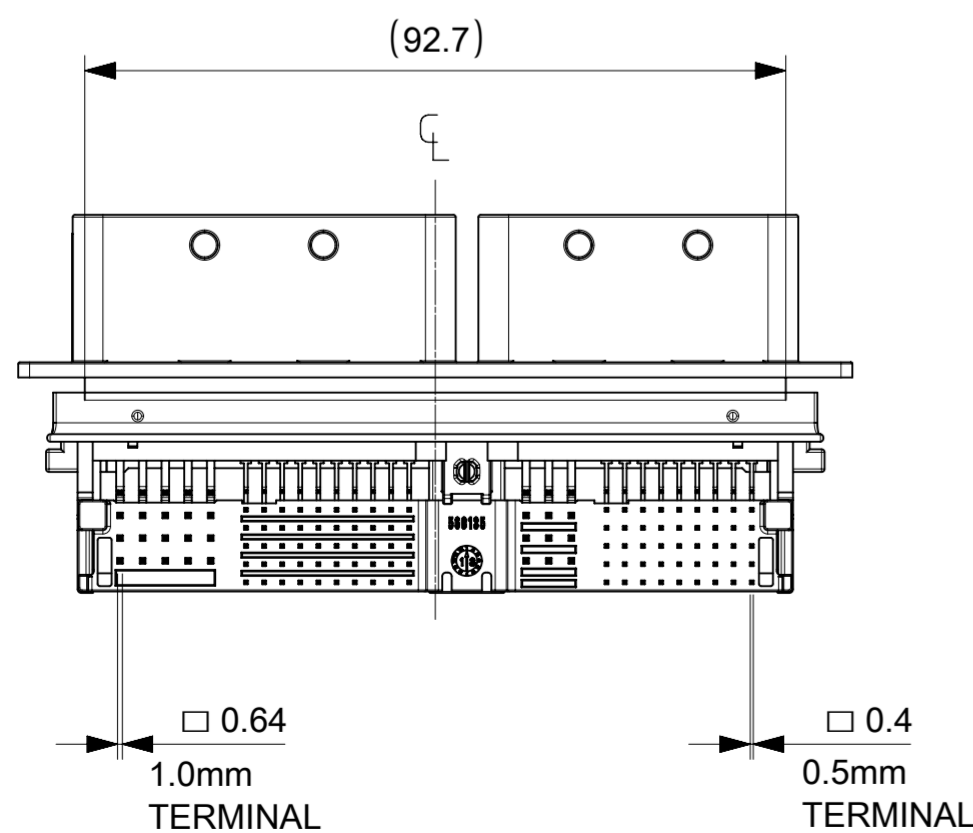
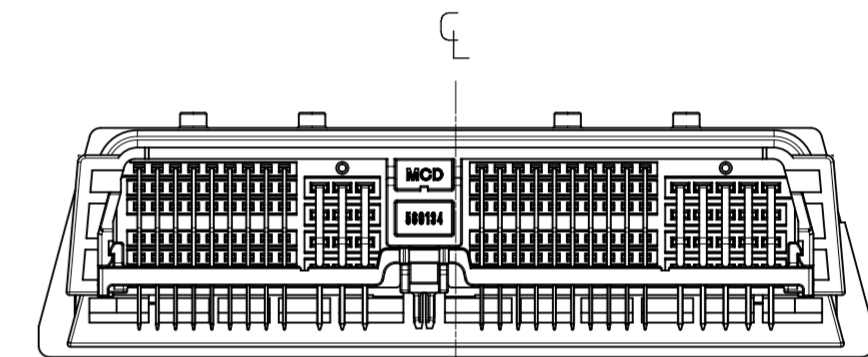
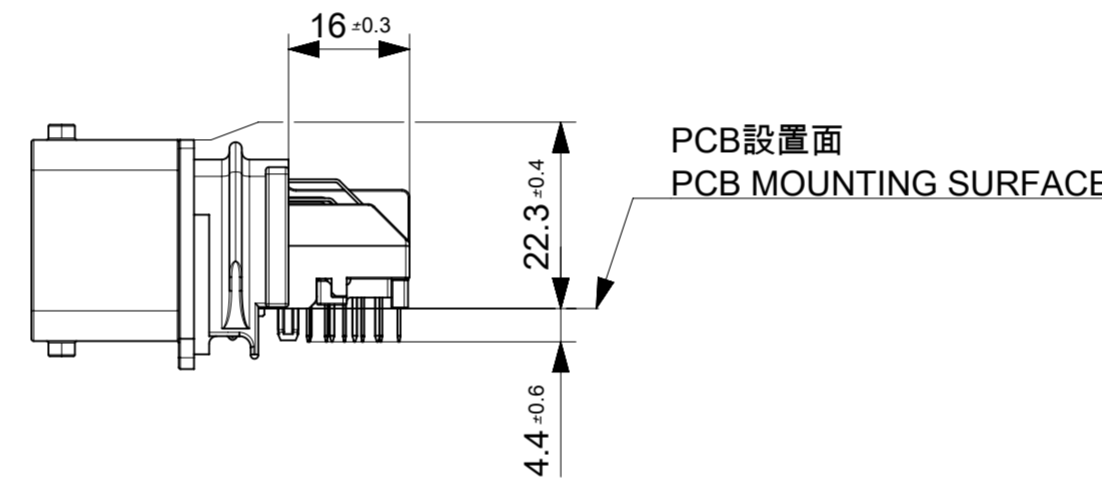
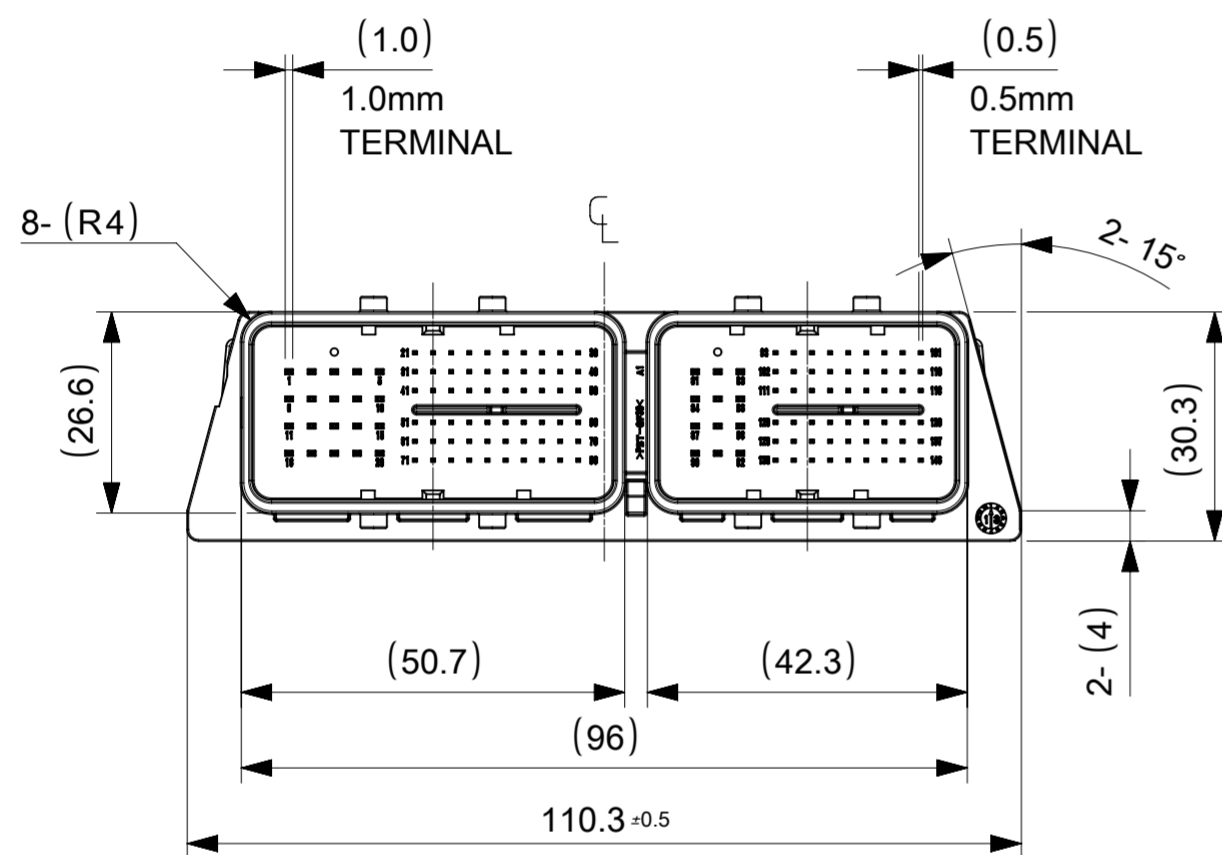
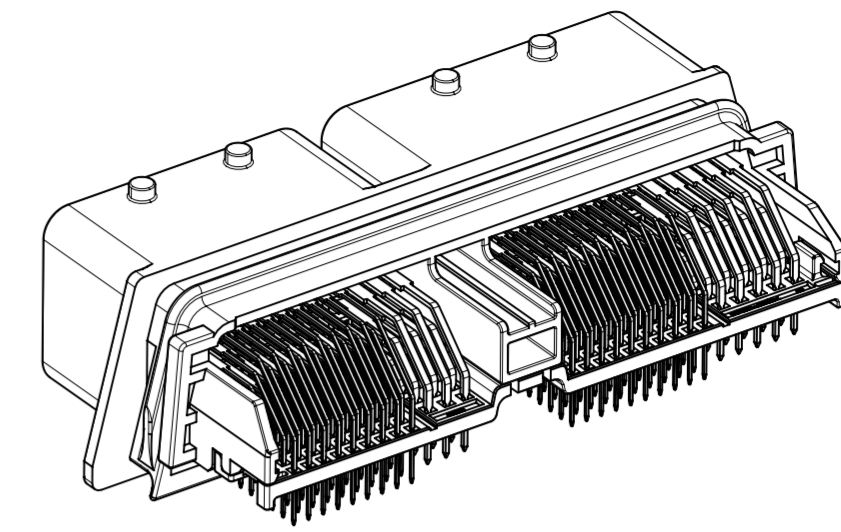
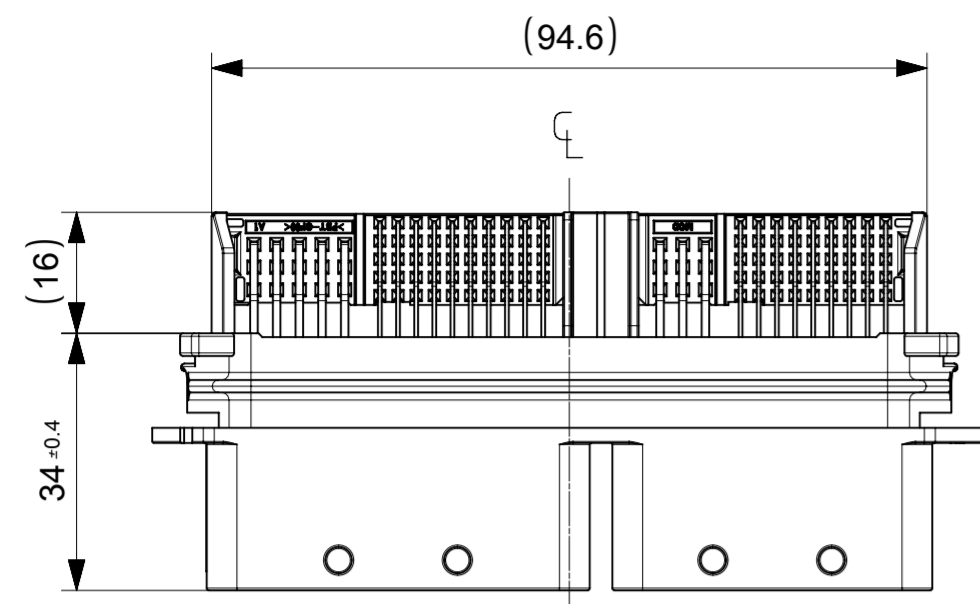
## 物理

断开	否
回路数 (已载入)	146
电路数 (最多)	146
颜色-树脂	黑色
耐用性(插拔次数) - 最多次数	10
先接后断	否
符合灼热丝规范	否
可配插产品指南	是
插接极性	是
锁定插接部位	是
材料 - 金属	Copper Alloy
材料 - 接合部位电镀	Tin
材料 - 树脂	PBT
净重	62.200/g
行数	6
方向	Right Angle
包装形式	Tray
间距 - 插配接口	2.40mm, 3.00mm, 5.00mm
有极性的插配件	是

PCB 极性	是
运行温度范围	-40° to +120° C
终端界面类型	Surface Mount

---

This document was generated on Jun 03, 2024

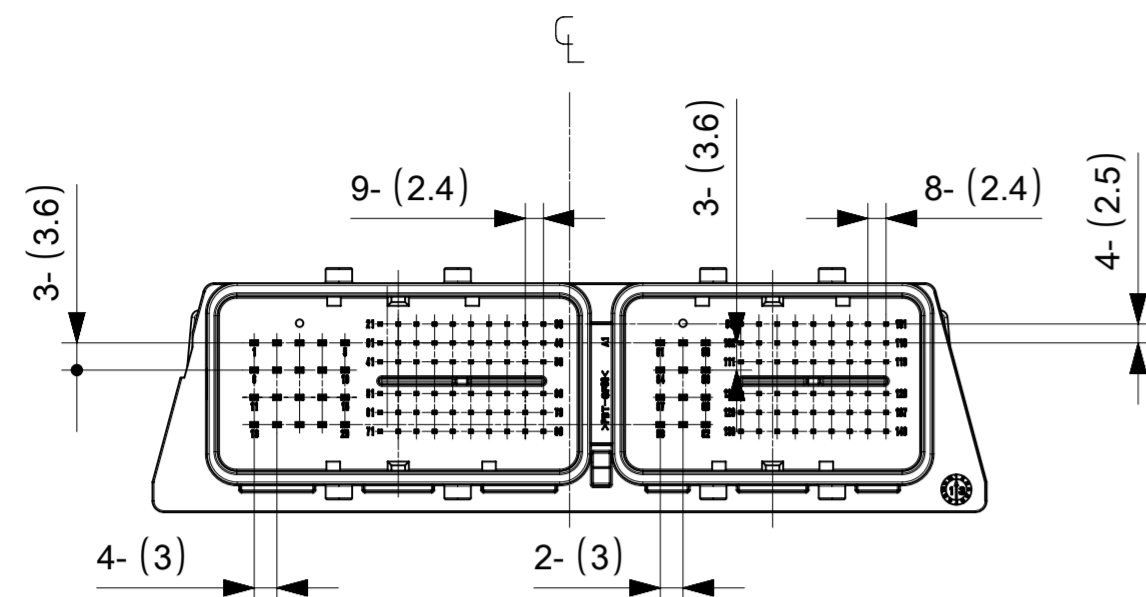


COMPACTUS 146WAY HEADER ASSY	560134-1462
PROCUDT NAME	PART No.

THIS DRAWING CONTAINS INFORMATION THAT IS PROPRIETARY TO MOLEX ELECTRONIC TECHNOLOGIES, LLC AND SHOULD NOT BE USED WITHOUT WRITTEN PERMISSION									
DIMENSION UNITS	SCALE	CURRENT REV DESC: PROPOSED							
mm	1:1	<b>molex</b> COMPACTUS 146WAY HEADER ASSY PRODUCT CUSTOMER DRAWING DOCUMENT NUMBER: 5601340002-SD DOC TYPE: PSD DOC PART: 000 REVISION: A MATERIAL NUMBER: 5601341462 CUSTOMER: GENERAL SHEET NUMBER: 1 OF 2							
GENERAL TOLERANCES (UNLESS SPECIFIED)									
ANGULAR TOL	± °								
4 PLACES	±								
3 PLACES	±								
2 PLACES	±	EC NO: 641997	2018/04/26	DRWN: KKATO01 CHK'D: TIIDA01 APPR: TOSADA INITIAL REVISION: DRWN: KKATO01 APPR: TOSADA					
1 PLACE	±	2020/07/28							
0 PLACES	±	2020/07/28							
DRAFT WHERE APPLICABLE MUST REMAIN WITHIN DIMENSIONS		THIRD ANGLE PROJECTION	DRAWING						
		SERIES	MATERIAL NUMBER						
		A2-SIZE	560134	CUSTOMER		GENERAL		SHEET NUMBER	

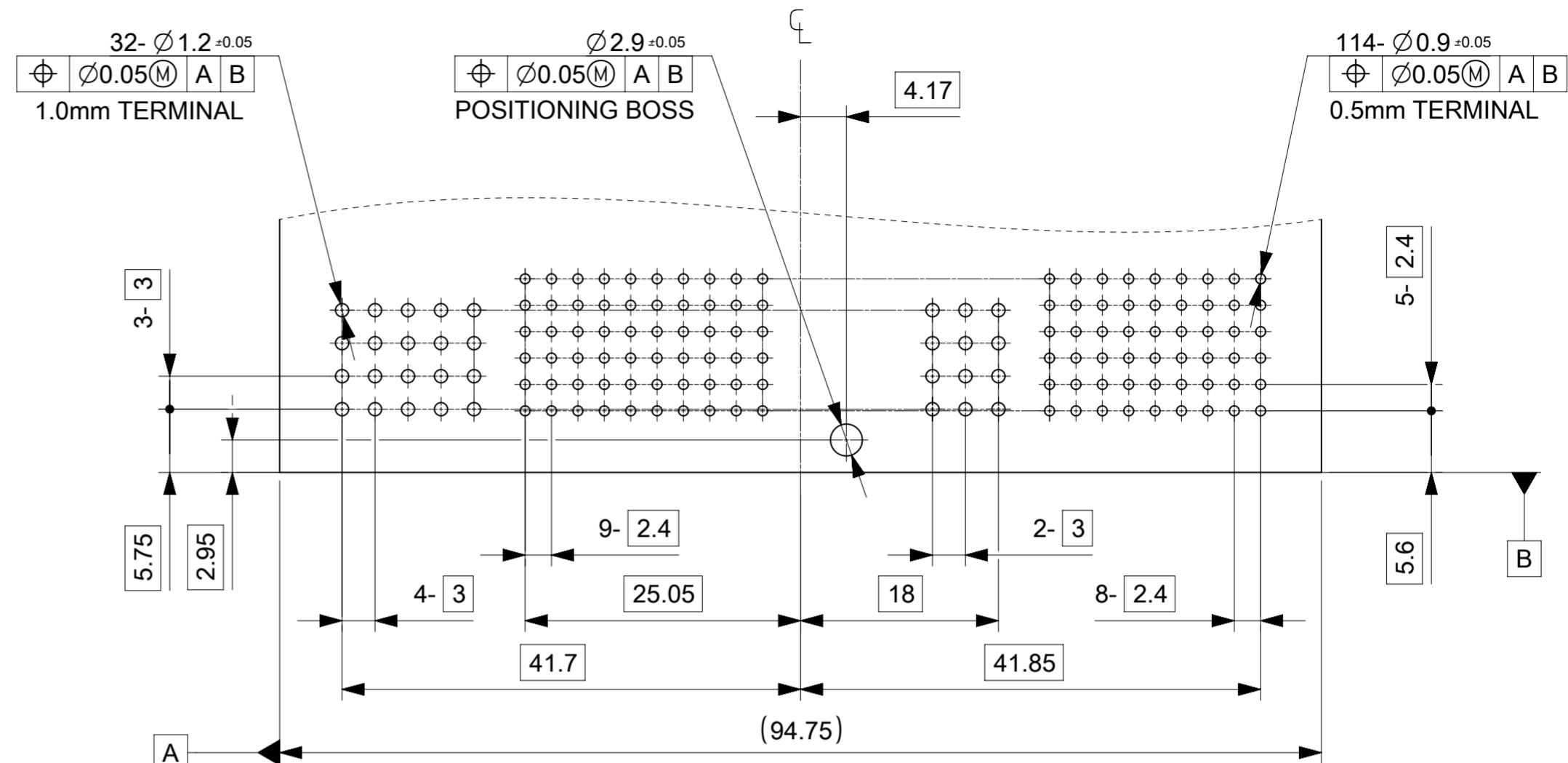
GENERAL TOLERANCES (UNLESS SPECIFIED)		
10 UNDER	±0.2	
10 OVER 30 UNDER	±0.25	
30 OVER	±0.3	
ANGULAR	±3°	

DOCUMENT STATUS	P1	RELEASE DATE	2020/07/28	04:52:56
-----------------	----	--------------	------------	----------

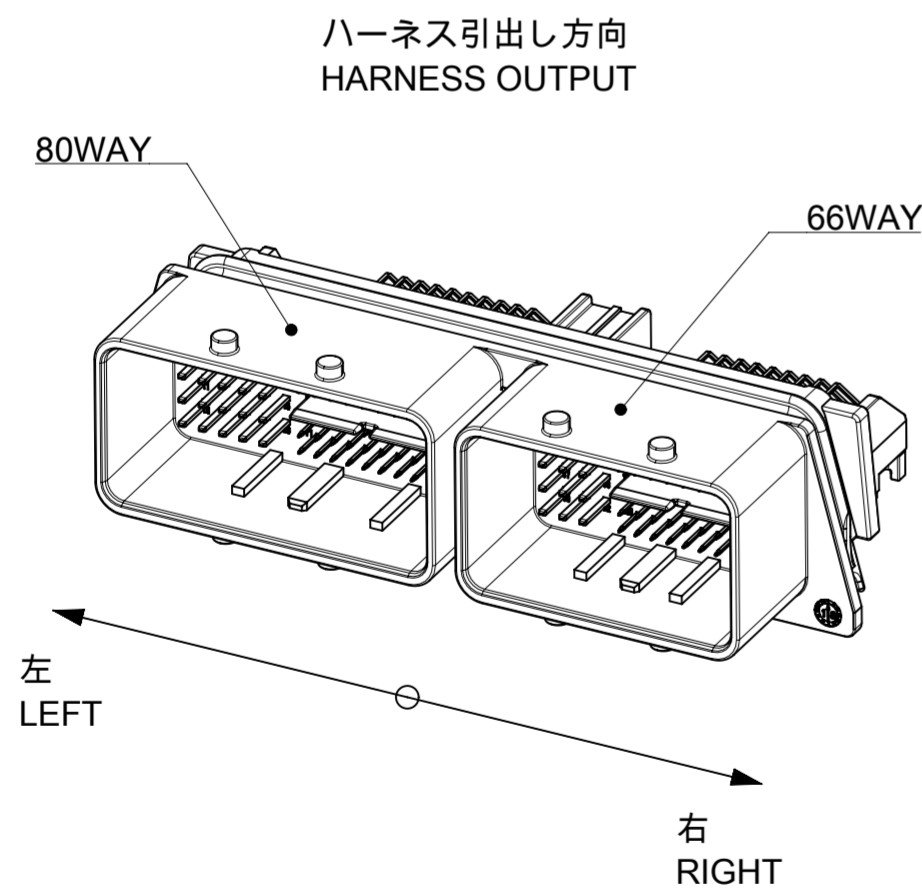


インターフェース毎の端子サイズ及びピン数  
TERMINAL SIZE AND PIN COUNT FOR EACH INTERFACE

80WAY INTERFACE		66WAY INTERFACE	
0.5mm TERMINAL	60 PIN	0.5mm TERMINAL	54 PIN
1.0mm TERMINAL	20 PIN	1.0mm TERMINAL	12 PIN



推奨基板寸法 (コネクタ実装面)  
RECOMMENDED PCB DIMENSIONS (CONNECTOR MOUNTING SIDE)



注記

- 適合嵌合相手コネクタ(MOLEX製)はFIG.1とする。
- 材質  
ハウジング / 整列板 : PBT-GF30、黒色  
端子 : 銅合金 (全端子)
- 端子表面処理 (全端子)  
コンタクト部 : 錫めっき  
テール部 : 錫めっき
- 適合基板厚 : 1.6mm ±0.1
- 製品重量 : 62g

NOTES

- APPLICABLE MATING CONNECTORS(MOLEX) SHALL BE AS FIG.1.
- MATERIAL  
HOUSING / GUIDE PLATE : PBT-GF30%, BLACK  
TERMINAL : COPPER ALLOY (ALL TERMINALS)
- TERMINAL PLATING (ALL TERMINALS)  
CONTACT SIDE : Sn  
TAIL SIDE : Sn
- APPLICABLE PCB THICKNESS : 1.6mm ±0.1
- PRODUCT WEIGHT : 62g

FIG.1

嵌合相手コネクタ MATING CONNECTOR			
ハース引出し方向 HARNESS OUTPUT	80WAY	66WAY	
左 LEFT	5601548032	5601526632	
右 RIGHT	5601548022	5601526622	

DOCUMENT STATUS	P1	RELEASE DATE	2020/07/28	04:52:56
-----------------	----	--------------	------------	----------

THIS DRAWING CONTAINS INFORMATION THAT IS PROPRIETARY TO MOLEX ELECTRONIC TECHNOLOGIES, LLC AND SHOULD NOT BE USED WITHOUT WRITTEN PERMISSION									
DIMENSION UNITS	SCALE	CURRENT REV DESC: PROPOSED							
mm	1:1	<p>COMPACTUS 146WAY HEADER ASSY</p> <p>PRODUCT CUSTOMER DRAWING</p>							
GENERAL TOLERANCES (UNLESS SPECIFIED)									
ANGULAR TOL	± °								
4 PLACES	±								
3 PLACES	±								
2 PLACES	±	EC NO: 641997	2018/04/26		<p>DOCUMENT NUMBER: 5601340002-SD</p> <p>DOC TYPE: PSD</p> <p>DOC PART: 000</p> <p>REVISION: A</p>				
1 PLACE	±	DRWN: KKATO01	2020/07/28						
0 PLACES	±	CHK'D: TIIDA01	2020/07/28						
DRAFT WHERE APPLICABLE MUST REMAIN WITHIN DIMENSIONS		APPR: TOSADA	2020/07/28						
THIRD ANGLE PROJECTION		INITIAL REVISION:							
DRAWING		DRWN: KKATO01	2018/04/26		<p>MATERIAL NUMBER: 5601341462</p> <p>CUSTOMER: GENERAL</p> <p>SHEET NUMBER: 2 OF 2</p>				
SERIES		APPR: TOSADA	2020/07/28						
A2-SIZE		560134							