



产品编号 : 5602050102

Product Description : CTX-J 100 Female Crimp Terminal, Tin Plated, Small Grip, Sealed

系列号 : 560205

状态 : Active

Product Category : Crimp Terminals

文件和资源

图纸

图纸 [5602050102_sd.pdf](#)

产物环境合规

合规

GADSL/IMDS	Duty-To-Declare
China RoHS	Not Relevant
EU ELV	Compliant per 2000/53/EC
Low-Halogen Status	Low-Halogen per IEC 61249-2-21
REACH SVHC	Not Contained per D(2023)8585-DC (23 Jan 2024)
EU RoHS	Compliant per EU 2015/863

多部分产品合规性声明

- Eu RoHS
- REACH SVHC
- Low-Halogen
- IPC 1752A Class C
- IPC 1752A Class D
- Molex Product Compliance Declaration
- IEC-62474
- chemSHERPA (xml)

欧盟 RoHS 合格证书

产品详情

常规

状态	活动
----	----

类别	Crimp Terminals
系列	560205
说明	CTX-J 100 Female Crimp Terminal, Tin Plated, Small Grip, Sealed
应用	Automotive, Signal, Wire-to-Board
产品系列	Compactus
产品名称	Compactus, CTX-J 100
UPC	889056393072

电气

每触点最大电流	15.0A
电压 - 最大	250V

物理

性别	女
材料 - 金属	Copper Alloy
材料 - 接合部位电镀	Tin
材料 - 终端电镀	Tin
净重	0.255/g
包装形式	Reel
终端界面类型	Crimp or Compression
导线绝缘直径	不适用
线径规格 (AWG)	不适用
线缆尺寸mm ²	不适用

施工工具

全局

描述	产品编号
Hand Crimp Tool for CTX-J 100 Receptacle Terminal, 0.50mm ² , 0.75mm ² and 1.25mm ² Wires	<u>2002182600</u>
Extractor Tool for CTX-J 100 Receptacle Crimp Terminal for Compactus Connector	<u>638247700</u>

施工工具

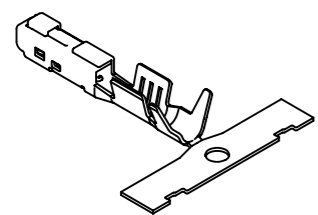
日本

描述	产品编号
S-1 Applicator for CTX-J100 Receptacle Terminals, Small Grip Size	<u>5781453710</u>

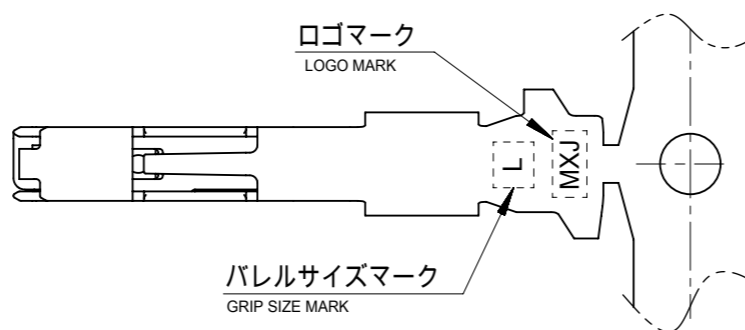
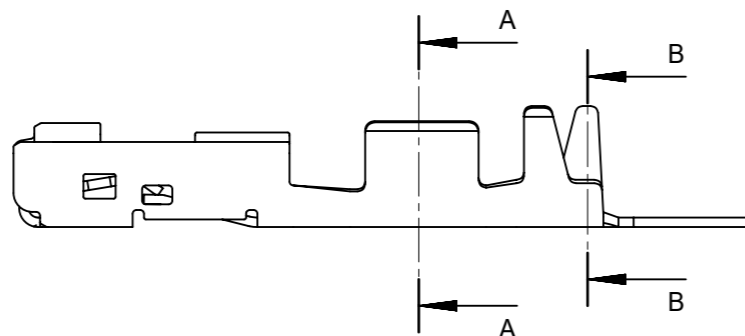
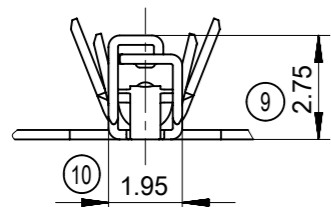
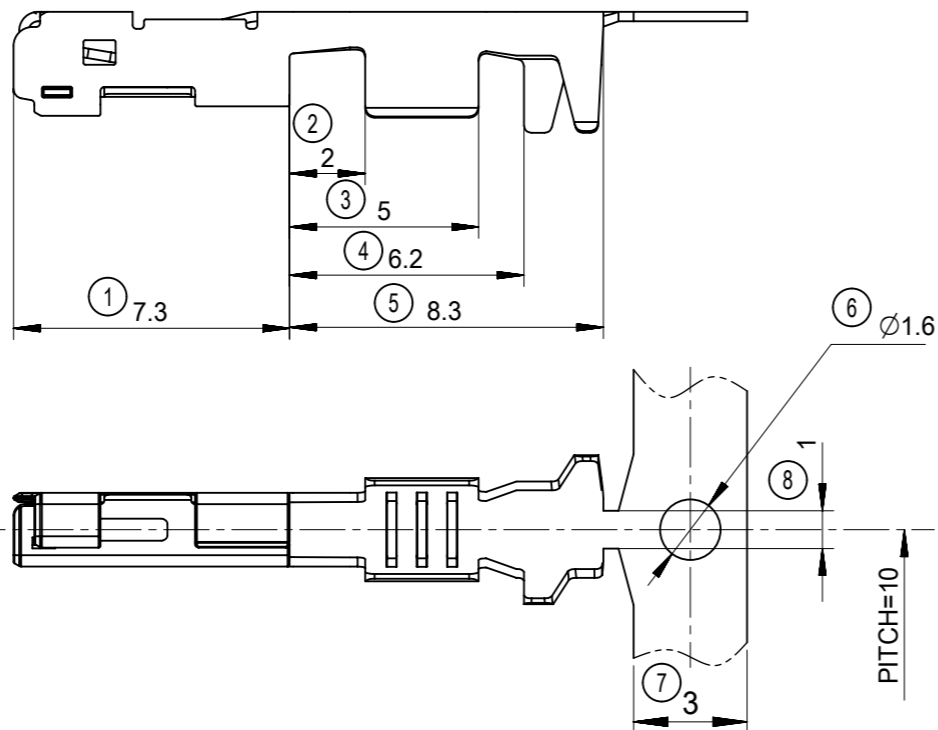
This document was generated on Jun 03, 2024

CONFIDENTIAL

※管理者以外のコピー及び配布を禁ずる



(2:1)

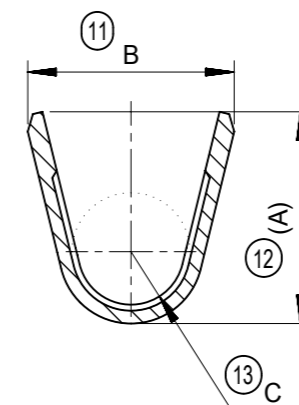


注記

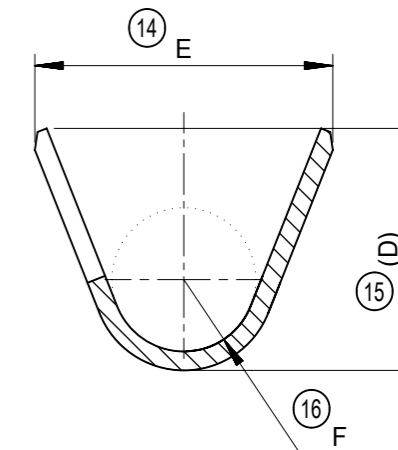
- 一般公差
 $< 10 : \pm 0.3$
 $10 \leq < 30 : \pm 0.4$
 $30 \leq : \pm 0.5$
 ANGULAR : $\pm 5^\circ$
- 材質 : 銅合金
- めっき仕様 : すずめっき
- 圧着規格
 弊社圧着仕様書に準拠すること。
 圧着仕様書 : AS-560205-001
- ELV及びRoHS適合品

NOTES:

- GENERAL TOLERANCES
 $< 10 : \pm 0.3$
 $10 \leq < 30 : \pm 0.4$
 $30 \leq : \pm 0.5$
 ANGULAR : $\pm 5^\circ$
- MATERIAL : COPPER ALLOY
- PLATING : Tin PLATING
- CRIMP STANDARD
 IT IS BASED ON MOLEX CRIMP STANDARD.
 CRIMP SPECIFICATION : AS-560205-001
- ELV & RoHS COMPLIANT

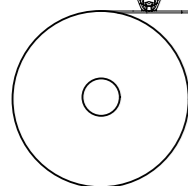
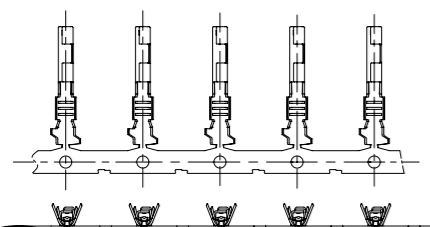


SECTION A-A
SCALE 10:1



SECTION B-B
SCALE 10:1

製品取り出し方向
DIRECTION OF PRODUCT TAKING OUT



製品番号 PART NO.	バレル サイズ GRIP SIZE	適応電線 APPLICABLE WIRE		寸法 / DIMENSION					
				A	B	C	D	E	F
560205-0102	S	CIVUS, AVSS, AVSSH AESSX, IVSSH, FLRYW-B	0.5 (f)	(2.2)	2.4	R0.5	(2.45)	2.94	R0.7
560205-0103	M	CIVUS AVSS	0.75, 1.25 0.85, 1.25	(2.8)	2.73	R0.7	(2.73)	3.46	R0.9
560205-0101	L	AVSSH, AESSX, IVSSH FLRYW-B	0.75f, 1.25f 0.75	(2.8)	2.73	R0.7	(3.2)	3.94	R0.95

SYMBOLS DIMENSION UNITS SCALE	THIS DRAWING CONTAINS INFORMATION THAT IS PROPRIETARY TO MOLEX ELECTRONIC TECHNOLOGIES, LLC AND SHOULD NOT BE USED WITHOUT WRITTEN PERMISSION		CURRENT REV DESC:		
	mm	5:1			
GENERAL TOLERANCES (UNLESS SPECIFIED)	EC NO: 603294		2018/07/03		CTX-J 100 RECEPTACLE TERMINAL SEALED
ANGULAR TOL	DRWN: GABE		2018/08/23		
4 PLACES	CHK'D: TIIDA01		2018/08/23		PRODUCT CUSTOMER DRAWING
3 PLACES	APPR: TOSADA		2018/08/23		
2 PLACES	INITIAL REVISION:				DOCUMENT NUMBER SD-560205-001
1 PLACE	DRWN: TIIDA01		2014/06/04		
0 PLACES	APPR: MAYAMAMOTO		2015/11/09		DOC PART 001
DRAFT WHERE APPLICABLE MUST REMAIN WITHIN DIMENSIONS	THIRD ANGLE PROJECTION	DRAWING A3-SIZE	SERIES 560205	MATERIAL NUMBER SEE TABLE	CUSTOMER GENERAL MARKET
					REVISION C
					SHEET NUMBER 1 OF 1