



产品编号 : 643191201

系列号 : 64319

Product Category : Connector Accessories

Product Description : CMC Wire Cap for 32 Circuits, CMC Receptacle Mat Sealed

状态 : Active

文件和资源

图纸

图纸 643191201_sd.pdf

3D 模型和设计文件

3D模型 643191201_stp.zip

规格

应用规格 AS-64318-002-001.pdf

应用规格 AS-64318-002-CH-001.pdf

应用规格 AS-64318-002-SP-001.pdf

应用规格 AS-64319-002-001.pdf

应用规格 AS-64319-002-CH-001.pdf

应用规格 AS-64319-002-FR-001.pdf

应用规格 AS-64319-002-SP-001.pdf

应用规格 984200002-AS-KR-000.pdf

应用规格 AS-98420-001-001.pdf

应用规格 AS-98420-001-CH-001.pdf

应用规格 AS-98420-002-001.pdf

应用规格 AS-98420-002-CH-001.pdf

应用规格 AS-98420-002-FR-001.pdf

应用规格 AS-98420-002-SP-001.pdf

应用规格 AS-98420-001-SP-001.pdf

应用规格 AS-64318-002-FR-001.pdf


应用规格 AS-98420-001-FR-001.pdf

包装规格 PK-64319-002-001.pdf

产品规格 PS-64319-002-001.pdf

产物环境合规

合规

GADSL/IMDS	Compliant
China RoHS	
EU ELV	Compliant per 2000/53/EC
Low-Halogen Status	Low-Halogen per IEC 61249-2-21

REACH SVHC	Not Contained per D(2023)8585-DC (23 Jan 2024)
EU RoHS	Compliant per EU 2015/863

多部分产品合规性声明

- Eu RoHS
- REACH SVHC
- Low-Halogen

- IPC 1752A Class C
- IPC 1752A Class D
- Molex Product Compliance Declaration
- IEC-62474
- chemSHERPA (xml)

欧盟 RoHS 合格证书

产品详情

常规

状态	活动
类别	Connector Accessories
系列	64319
说明	CMC Wire Cap for 32 Circuits, CMC Receptacle Mat Sealed
应用	汽车
元件类型	Cap
产品系列	CMC and CMX Sealed, Hybrid, Modular Connectors
产品名称	CMC
UPC	883906129729

物理

回路数（已载入）	0
电路数（最多）	0
颜色-树脂	黑色
净重	3.660/g
包装形式	Carton

进程

无铅	不适用
----	-----

可连接使用部件

描述	产品编号
CMC Receptacles and Wire Caps	<u>64319</u>

施工工具

全局

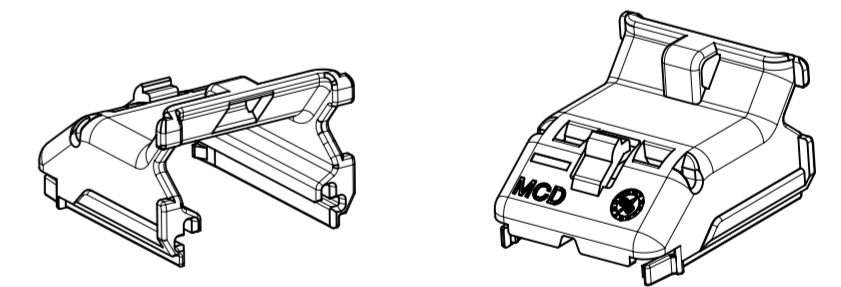
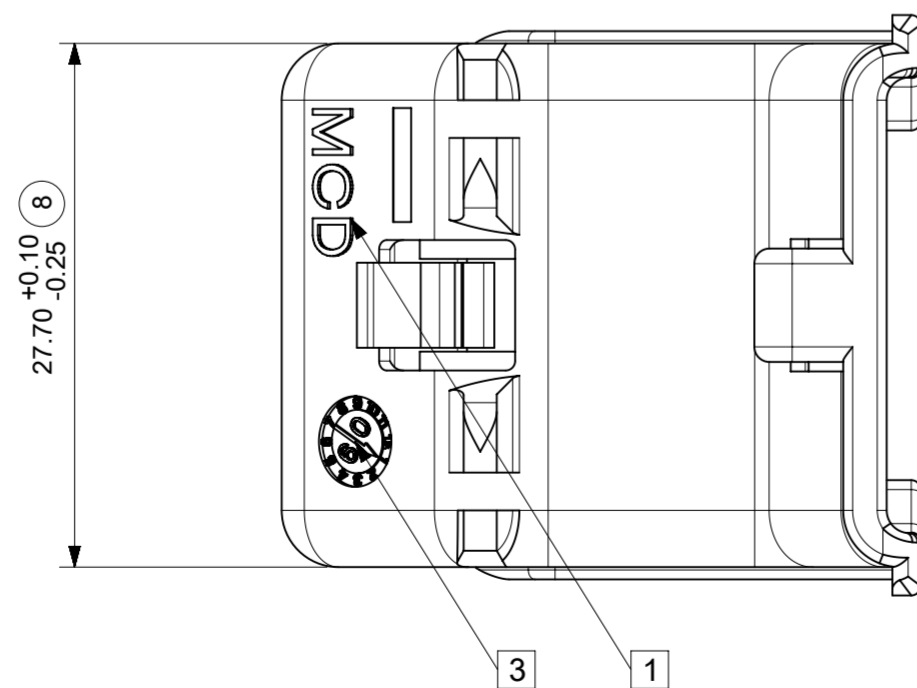
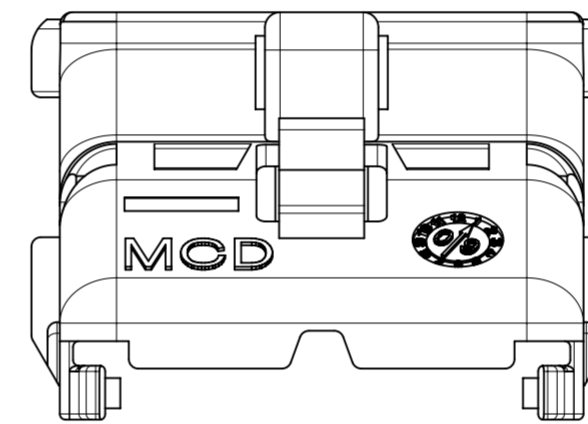
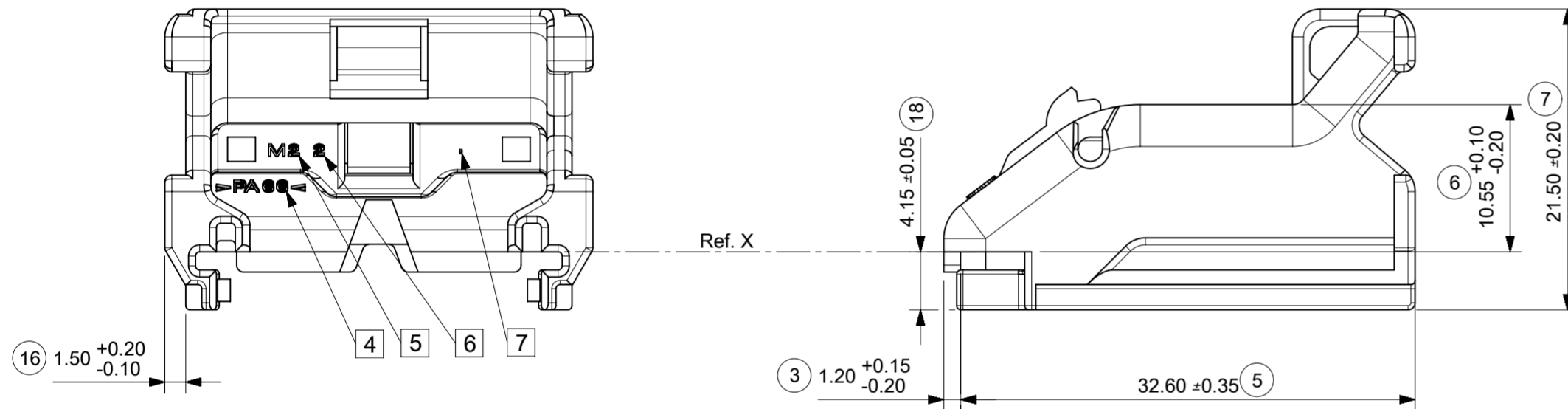
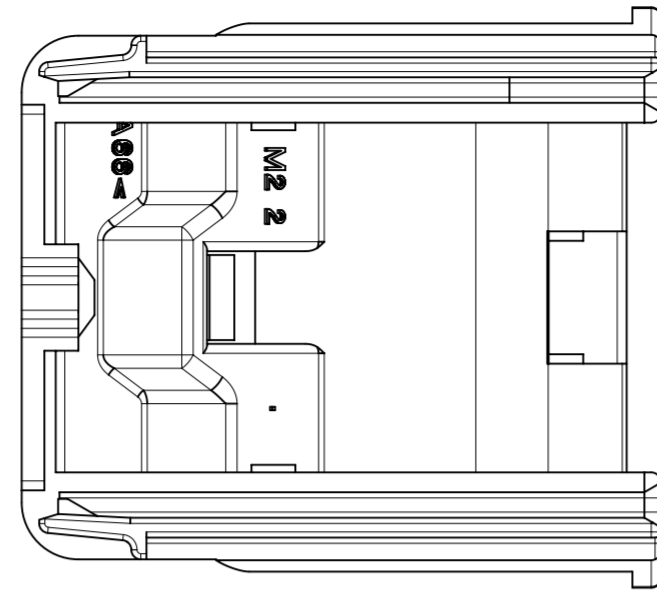
描述	产品编号
Unlocking Tool for CMC and CMX Receptacle Connector	<u>638241200</u>

NOTES:

- 1- MATERIAL: PA 6.6 BLACK heat stabilized.
- 2- DELIVERED PRODUCT WEIGHT: 3.6g
- 3- RELATED COUNTERPART FEMALE CONNECTORS (32 WAYS, 22 WAYS).
- 4- ALL DIMENSIONS ARE TAKE OVER FROM THE 3D MODEL.

MARKINGS:

- 1 Supplier identification.
- 3 Date: MONTH/YEAR.
- 4 Material.
- 5 Mould identification M1 or M2.
- 6 Print identification (number).
- 7 Revision level



1:1

THIS DRAWING CONTAINS INFORMATION THAT IS PROPRIETARY TO MOLEX ELECTRONIC TECHNOLOGIES, LLC AND SHOULD NOT BE USED WITHOUT WRITTEN PERMISSION																																																																																																																																					
DIMENSION UNITS		SCALE		CURRENT REV DESC: NX RE-MASTERING																																																																																																																																	
mm		2.5:1		<table border="0"> <tr> <td colspan="2">GENERAL TOLERANCES (UNLESS SPECIFIED)</td> <td colspan="4" rowspan="6"> <table border="0"> <tr> <td colspan="2">EC NO: 116806</td> <td colspan="2">2018/03/13</td> </tr> <tr> <td colspan="2">4 PLACES ± 0.0</td> <td colspan="2">DRWN: SSUVARNA</td> </tr> <tr> <td colspan="2">3 PLACES ± 0.0</td> <td colspan="2">CHK'D: SLAFAURE</td> </tr> <tr> <td colspan="2">2 PLACES ± 0.0</td> <td colspan="2">APPR: SLAFAURE</td> </tr> <tr> <td colspan="2">1 PLACE ± 0.0</td> <td colspan="2">INITIAL REVISION:</td> </tr> <tr> <td colspan="2">0 PLACES ± 0.0</td> <td colspan="2">DRWN: PGRANDCL</td> </tr> <tr> <td colspan="2">DRAFT WHERE APPLICABLE MUST REMAIN WITHIN DIMENSIONS</td> <td colspan="2">FIRST ANGLE PROJECTION</td> <td colspan="2">DRAWING</td> <td colspan="2">SERIES</td> <td colspan="2">MATERIAL NUMBER</td> </tr> <tr> <td colspan="2"></td> <td colspan="2">A2-SIZE</td> <td colspan="2">64319</td> <td colspan="2">643191201</td> <td colspan="2">CUSTOMER</td> </tr> <tr> <td colspan="2"></td> <td colspan="2"></td> <td colspan="2"></td> <td colspan="2"></td> <td colspan="2">GENERAL MARKET</td> </tr> <tr> <td colspan="2"></td> <td colspan="2"></td> <td colspan="2"></td> <td colspan="2"></td> <td colspan="2">SHEET NUMBER</td> </tr> <tr> <td colspan="2"></td> <td colspan="2"></td> <td colspan="2"></td> <td colspan="2"></td> <td colspan="2">1 OF 1</td> </tr> </table> </td> </tr> <tr> <td colspan="2">ANGULAR TOL ± 0.0°</td> <td colspan="2"></td> </tr> <tr> <td colspan="2">4 PLACES ± 0.0</td> <td colspan="2"></td> </tr> <tr> <td colspan="2">3 PLACES ± 0.0</td> <td colspan="2"></td> </tr> <tr> <td colspan="2">2 PLACES ± 0.0</td> <td colspan="2"></td> </tr> <tr> <td colspan="2">1 PLACE ± 0.0</td> <td colspan="2"></td> </tr> <tr> <td colspan="2">0 PLACES ± 0.0</td> <td colspan="2"></td> </tr> <tr> <td colspan="4">DOCUMENT NUMBER</td> <td colspan="2">DOC TYPE</td> <td colspan="2">DOC PART</td> <td colspan="2">REVISION</td> </tr> <tr> <td colspan="4">SD-64319-002</td> <td colspan="2">PSD</td> <td colspan="2">001</td> <td colspan="2">D1</td> </tr> </table>						GENERAL TOLERANCES (UNLESS SPECIFIED)		<table border="0"> <tr> <td colspan="2">EC NO: 116806</td> <td colspan="2">2018/03/13</td> </tr> <tr> <td colspan="2">4 PLACES ± 0.0</td> <td colspan="2">DRWN: SSUVARNA</td> </tr> <tr> <td colspan="2">3 PLACES ± 0.0</td> <td colspan="2">CHK'D: SLAFAURE</td> </tr> <tr> <td colspan="2">2 PLACES ± 0.0</td> <td colspan="2">APPR: SLAFAURE</td> </tr> <tr> <td colspan="2">1 PLACE ± 0.0</td> <td colspan="2">INITIAL REVISION:</td> </tr> <tr> <td colspan="2">0 PLACES ± 0.0</td> <td colspan="2">DRWN: PGRANDCL</td> </tr> <tr> <td colspan="2">DRAFT WHERE APPLICABLE MUST REMAIN WITHIN DIMENSIONS</td> <td colspan="2">FIRST ANGLE PROJECTION</td> <td colspan="2">DRAWING</td> <td colspan="2">SERIES</td> <td colspan="2">MATERIAL NUMBER</td> </tr> <tr> <td colspan="2"></td> <td colspan="2">A2-SIZE</td> <td colspan="2">64319</td> <td colspan="2">643191201</td> <td colspan="2">CUSTOMER</td> </tr> <tr> <td colspan="2"></td> <td colspan="2"></td> <td colspan="2"></td> <td colspan="2"></td> <td colspan="2">GENERAL MARKET</td> </tr> <tr> <td colspan="2"></td> <td colspan="2"></td> <td colspan="2"></td> <td colspan="2"></td> <td colspan="2">SHEET NUMBER</td> </tr> <tr> <td colspan="2"></td> <td colspan="2"></td> <td colspan="2"></td> <td colspan="2"></td> <td colspan="2">1 OF 1</td> </tr> </table>				EC NO: 116806		2018/03/13		4 PLACES ± 0.0		DRWN: SSUVARNA		3 PLACES ± 0.0		CHK'D: SLAFAURE		2 PLACES ± 0.0		APPR: SLAFAURE		1 PLACE ± 0.0		INITIAL REVISION:		0 PLACES ± 0.0		DRWN: PGRANDCL		DRAFT WHERE APPLICABLE MUST REMAIN WITHIN DIMENSIONS		FIRST ANGLE PROJECTION		DRAWING		SERIES		MATERIAL NUMBER				A2-SIZE		64319		643191201		CUSTOMER										GENERAL MARKET										SHEET NUMBER										1 OF 1		ANGULAR TOL ± 0.0°				4 PLACES ± 0.0				3 PLACES ± 0.0				2 PLACES ± 0.0				1 PLACE ± 0.0				0 PLACES ± 0.0				DOCUMENT NUMBER				DOC TYPE		DOC PART		REVISION		SD-64319-002				PSD		001		D1	
GENERAL TOLERANCES (UNLESS SPECIFIED)		<table border="0"> <tr> <td colspan="2">EC NO: 116806</td> <td colspan="2">2018/03/13</td> </tr> <tr> <td colspan="2">4 PLACES ± 0.0</td> <td colspan="2">DRWN: SSUVARNA</td> </tr> <tr> <td colspan="2">3 PLACES ± 0.0</td> <td colspan="2">CHK'D: SLAFAURE</td> </tr> <tr> <td colspan="2">2 PLACES ± 0.0</td> <td colspan="2">APPR: SLAFAURE</td> </tr> <tr> <td colspan="2">1 PLACE ± 0.0</td> <td colspan="2">INITIAL REVISION:</td> </tr> <tr> <td colspan="2">0 PLACES ± 0.0</td> <td colspan="2">DRWN: PGRANDCL</td> </tr> <tr> <td colspan="2">DRAFT WHERE APPLICABLE MUST REMAIN WITHIN DIMENSIONS</td> <td colspan="2">FIRST ANGLE PROJECTION</td> <td colspan="2">DRAWING</td> <td colspan="2">SERIES</td> <td colspan="2">MATERIAL NUMBER</td> </tr> <tr> <td colspan="2"></td> <td colspan="2">A2-SIZE</td> <td colspan="2">64319</td> <td colspan="2">643191201</td> <td colspan="2">CUSTOMER</td> </tr> <tr> <td colspan="2"></td> <td colspan="2"></td> <td colspan="2"></td> <td colspan="2"></td> <td colspan="2">GENERAL MARKET</td> </tr> <tr> <td colspan="2"></td> <td colspan="2"></td> <td colspan="2"></td> <td colspan="2"></td> <td colspan="2">SHEET NUMBER</td> </tr> <tr> <td colspan="2"></td> <td colspan="2"></td> <td colspan="2"></td> <td colspan="2"></td> <td colspan="2">1 OF 1</td> </tr> </table>								EC NO: 116806						2018/03/13		4 PLACES ± 0.0		DRWN: SSUVARNA		3 PLACES ± 0.0		CHK'D: SLAFAURE		2 PLACES ± 0.0		APPR: SLAFAURE		1 PLACE ± 0.0		INITIAL REVISION:		0 PLACES ± 0.0		DRWN: PGRANDCL		DRAFT WHERE APPLICABLE MUST REMAIN WITHIN DIMENSIONS		FIRST ANGLE PROJECTION		DRAWING		SERIES		MATERIAL NUMBER				A2-SIZE		64319		643191201		CUSTOMER										GENERAL MARKET										SHEET NUMBER										1 OF 1																																															
EC NO: 116806										2018/03/13																																																																																																																											
4 PLACES ± 0.0										DRWN: SSUVARNA																																																																																																																											
3 PLACES ± 0.0										CHK'D: SLAFAURE																																																																																																																											
2 PLACES ± 0.0										APPR: SLAFAURE																																																																																																																											
1 PLACE ± 0.0						INITIAL REVISION:																																																																																																																															
0 PLACES ± 0.0		DRWN: PGRANDCL																																																																																																																																			
DRAFT WHERE APPLICABLE MUST REMAIN WITHIN DIMENSIONS		FIRST ANGLE PROJECTION		DRAWING		SERIES		MATERIAL NUMBER																																																																																																																													
		A2-SIZE		64319		643191201		CUSTOMER																																																																																																																													
								GENERAL MARKET																																																																																																																													
								SHEET NUMBER																																																																																																																													
								1 OF 1																																																																																																																													
ANGULAR TOL ± 0.0°																																																																																																																																					
4 PLACES ± 0.0																																																																																																																																					
3 PLACES ± 0.0																																																																																																																																					
2 PLACES ± 0.0																																																																																																																																					
1 PLACE ± 0.0																																																																																																																																					
0 PLACES ± 0.0																																																																																																																																					
DOCUMENT NUMBER				DOC TYPE		DOC PART		REVISION																																																																																																																													
SD-64319-002				PSD		001		D1																																																																																																																													