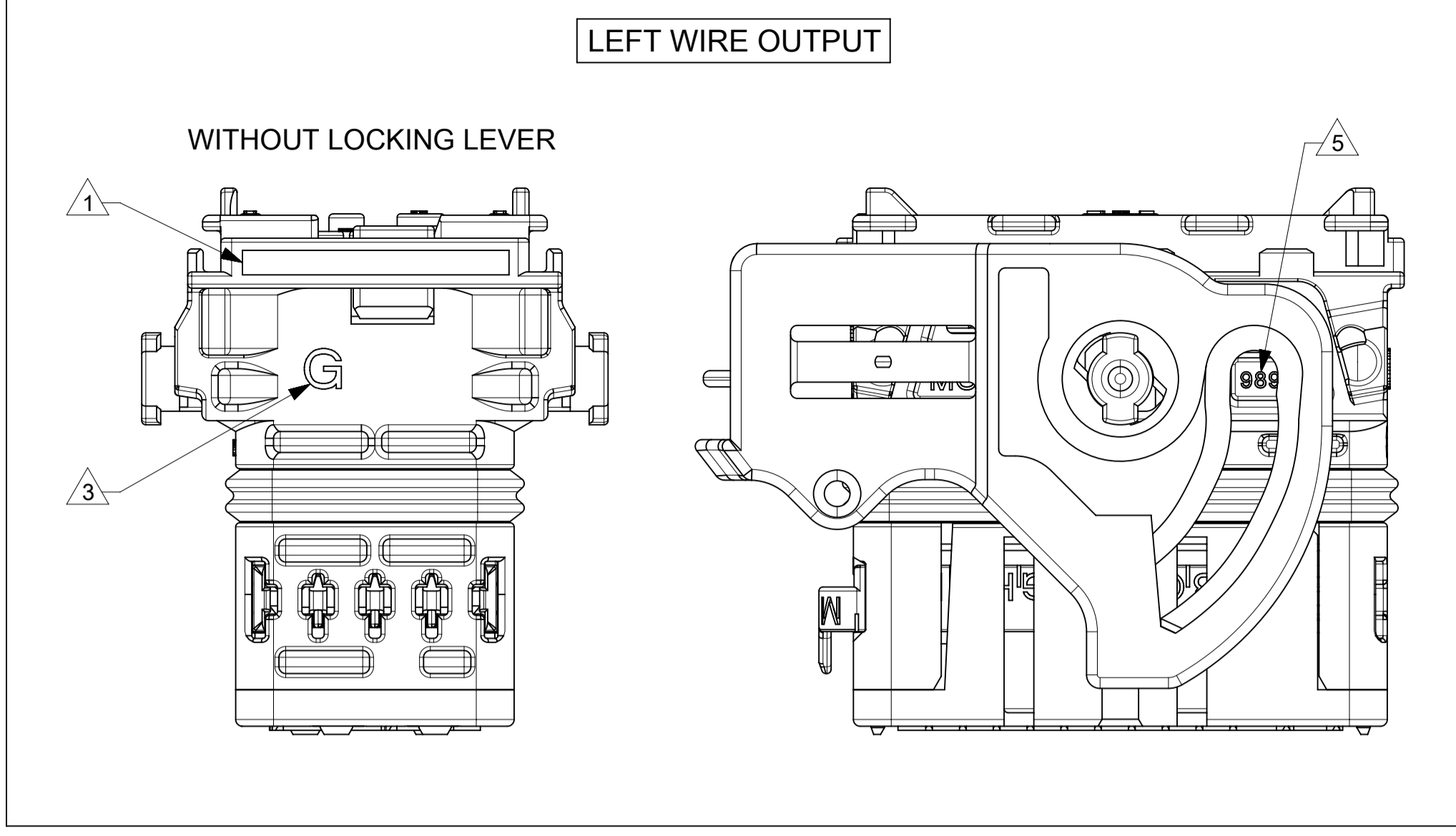
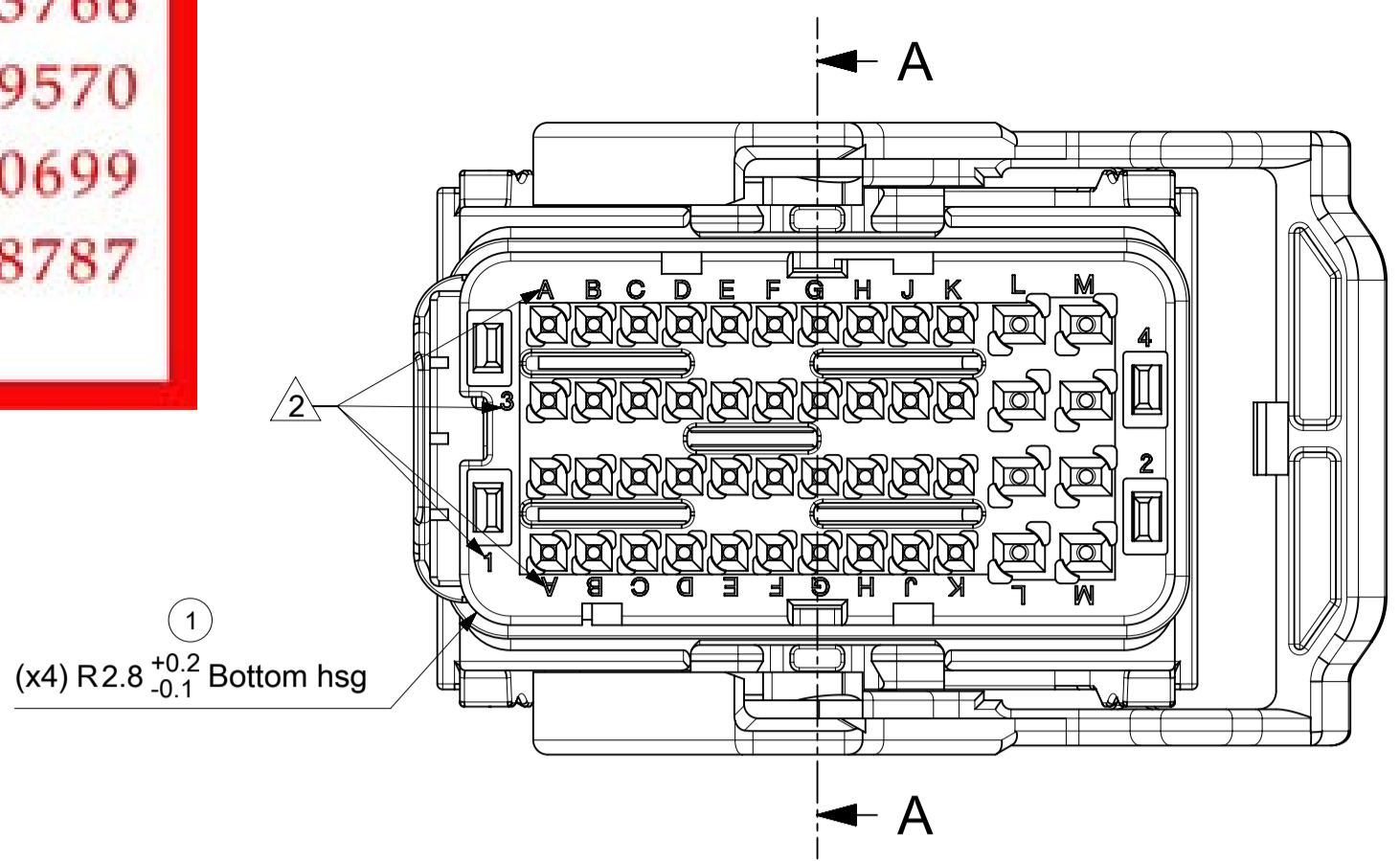
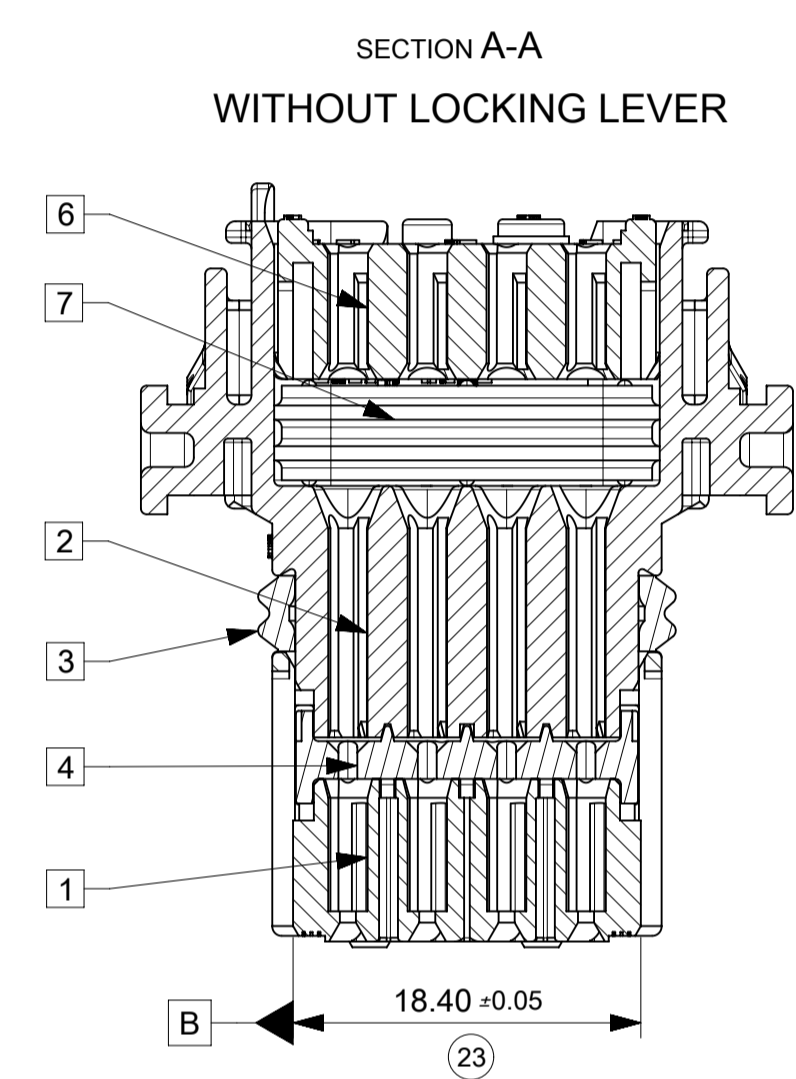
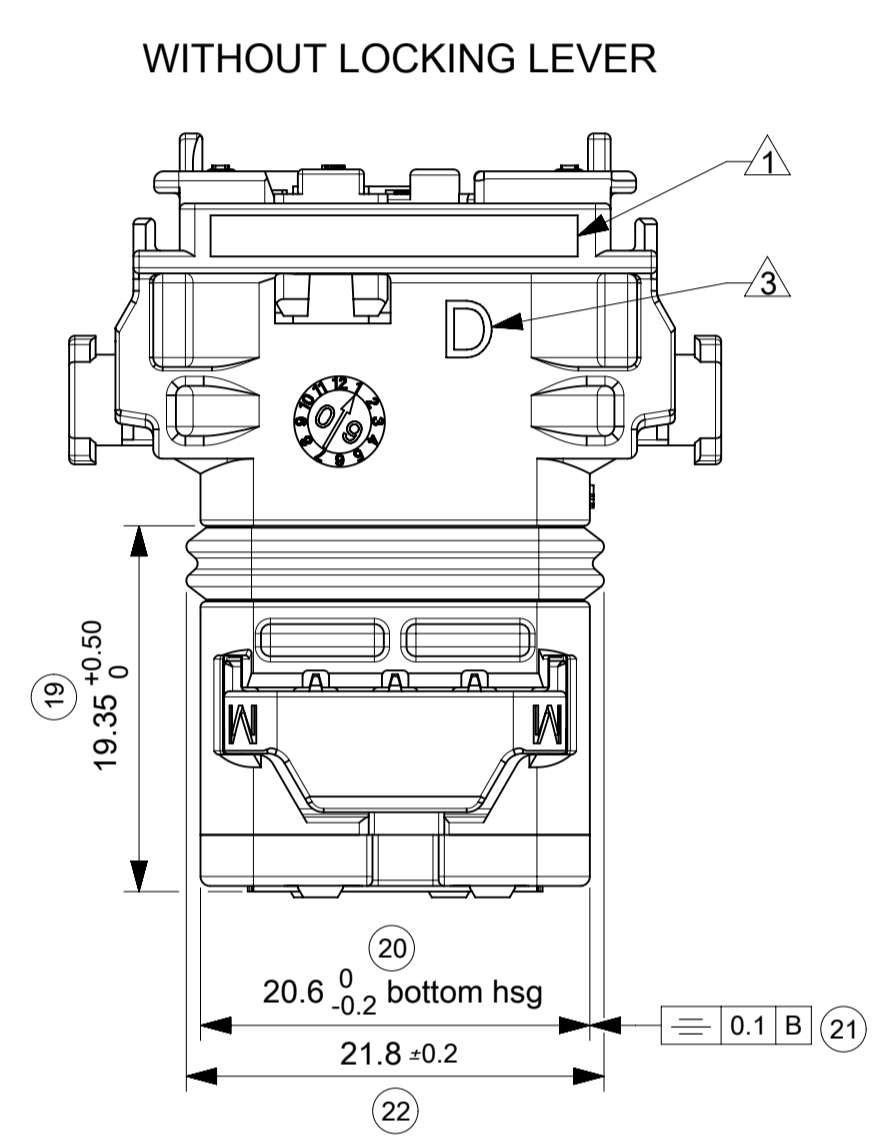
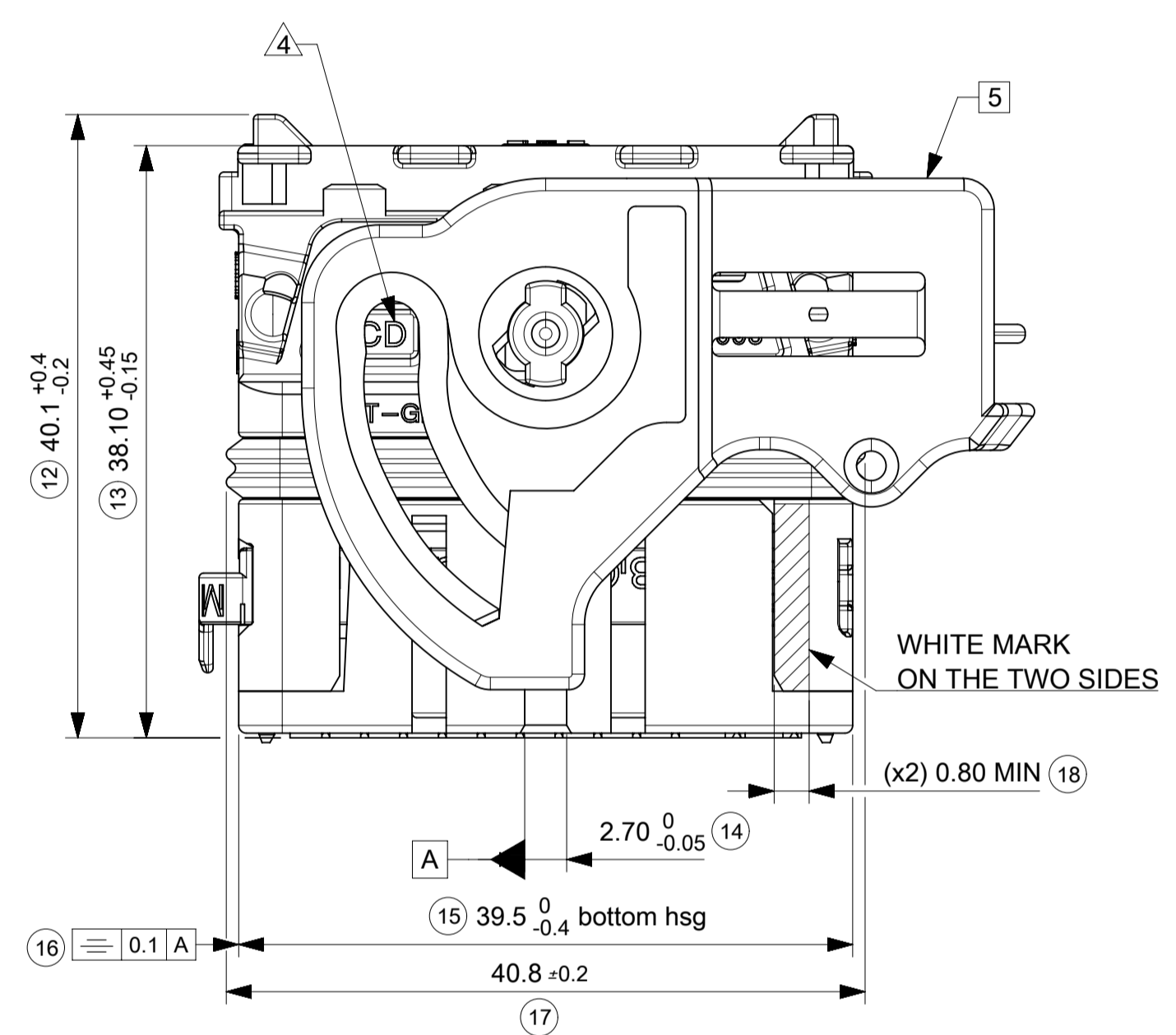
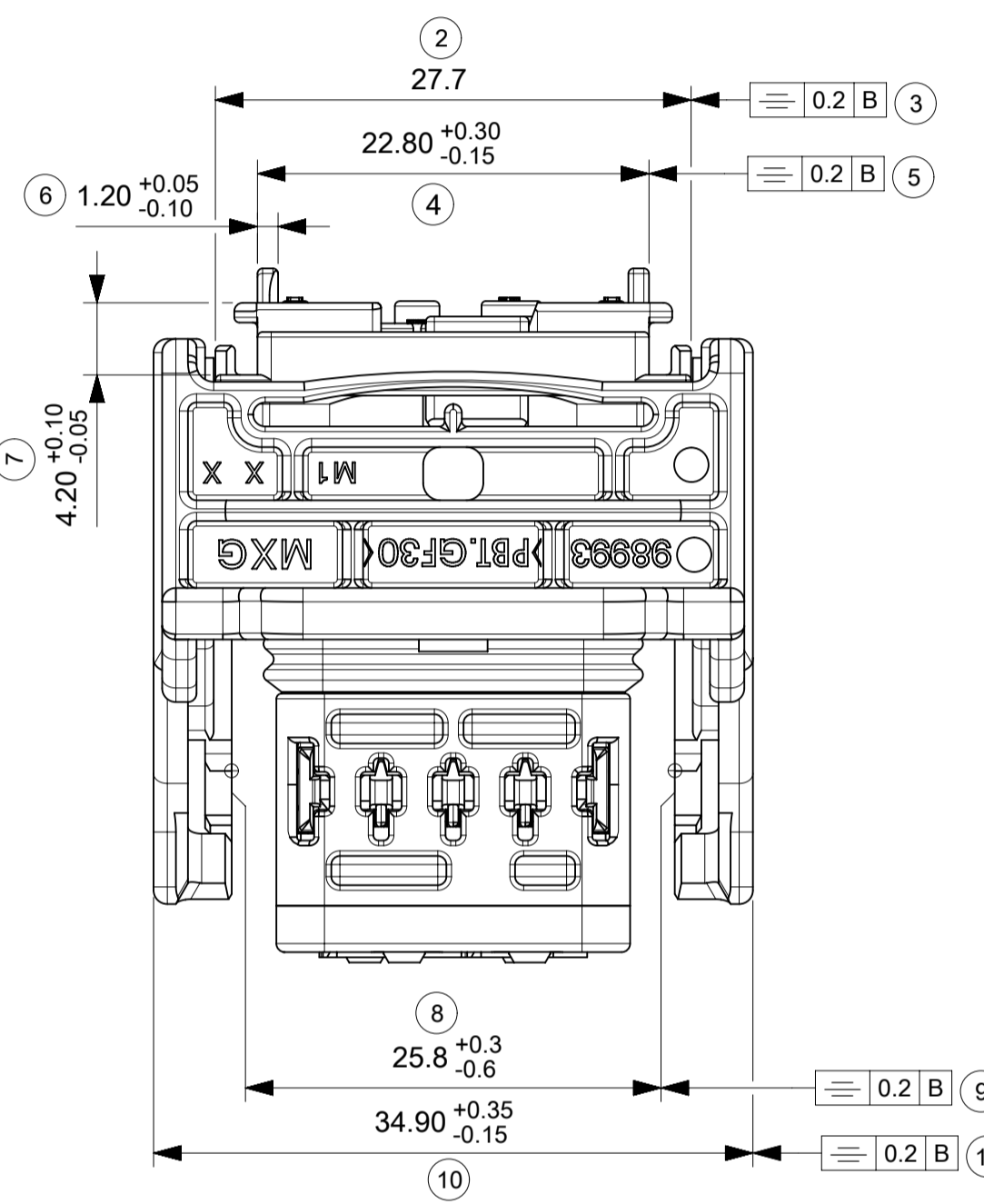


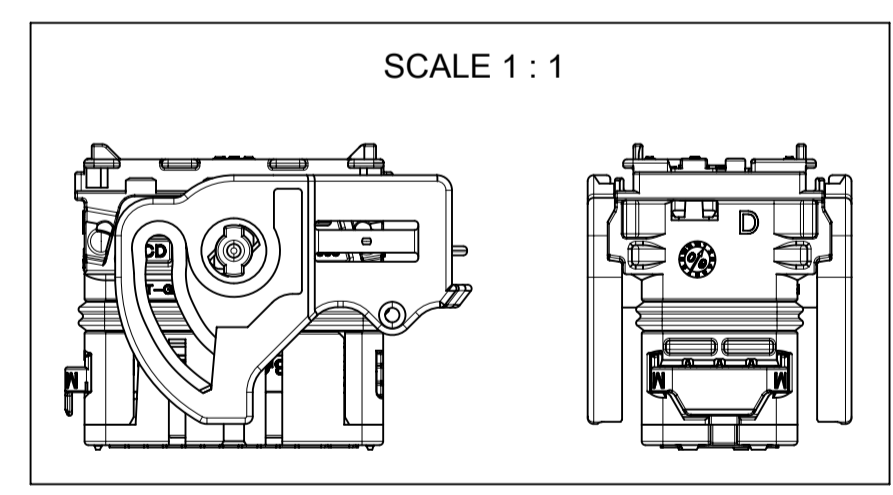
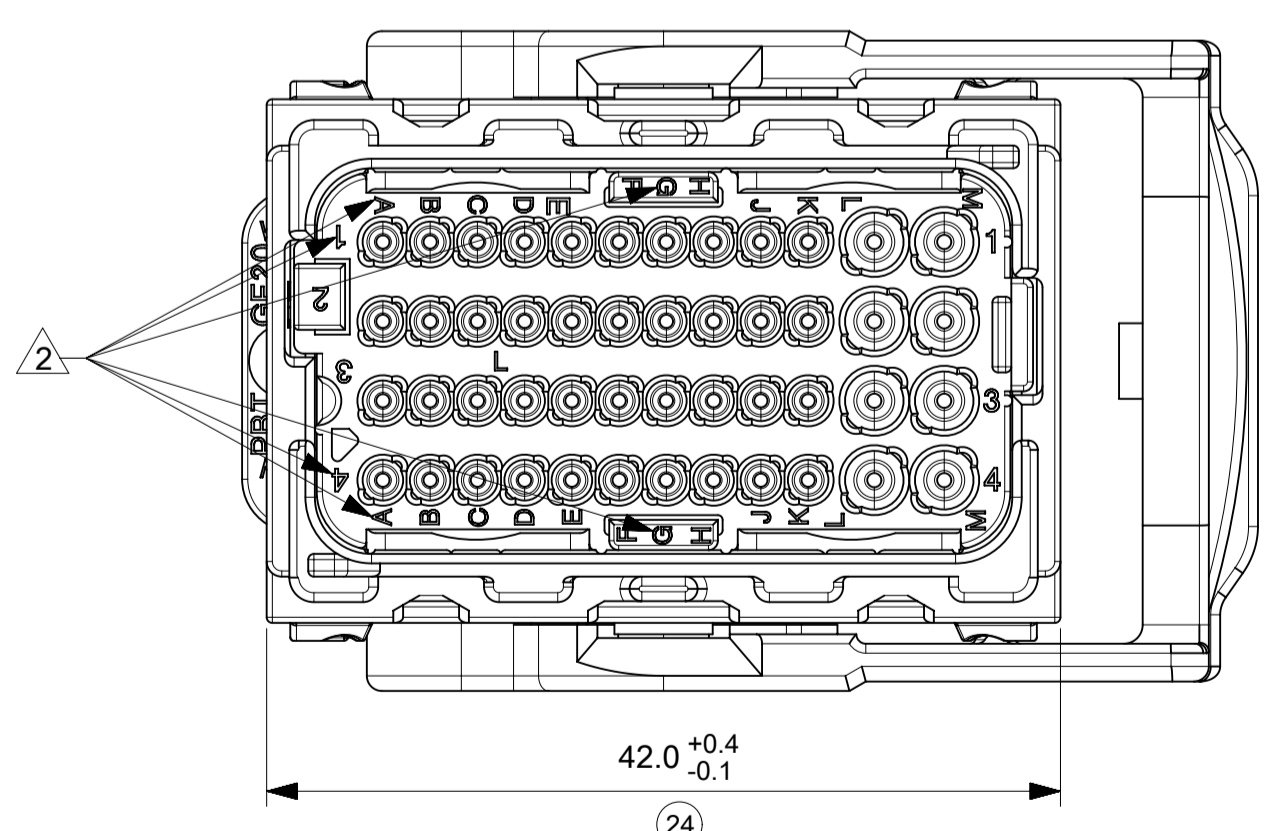
勝特力電材超市-龍山店 886-3-5773766  
 勝特力電材超市-光復店 886-3-5729570  
 勝特力电子(上海) 86-21-34970699  
 勝特力电子(深圳) 86-755-83298787  
<http://www.100y.com.tw>



LEFT WIRE OUTPUT	
MATERIAL NUMBER	COLOR
0643201311	BLACK
0643201318	GREY
0643201319	BROWN
0643201315	GREEN



RIGHT WIRE OUTPUT	
MATERIAL NUMBER	COLOR
0643203311	BLACK
0643203318	GREY
0643203319	BROWN
0643203315	GREEN



- NOTES:
- FOR ILLUSTRATION PURPOSE THE FEMALE HOUSING SHOWN IS THE RIGHT WIRE OUTPUT VERSION CODING 1
  - APPLICATION SPECIFICATION: AS-64319-002
  - WIRES EXTERNAL DIAMETER USED:  
FOR CP0.6 TERMINAL: USE WIRES WITH AN EXTERNAL DIAMETER BETWEEN Ø1.25MM MIN AND Ø1.90MM MAX  
FOR CP1.5 TERMINAL: USE WIRES WITH AN EXTERNAL DIAMETER BETWEEN Ø1.40MM MIN AND Ø2.80MM MAX
  - THE CONNECTOR FITS WITH WIRE CAP (48 WAY) MOLEX P/N 0643201301
  - BLIND PLUG FOR 0.6 AND 1.5 CAVITIES (MOLEX P/N 0643251010 AND 0643251023) MUST BE USED ON THIS PART
  - DELIVERED PRODUCT WEIGHT: 35.7 g

7	MAT SEAL	Silicon	RED
6	BACK GRID 48W	>PBT-GF20<	GREY
5	LOCKING LEVER 48W	>PBT-GF30<	BLACK
4	SECONDARY LOCK	>PBT-GF20<	GREY
3	PERIPHERAL SEAL 48W	Silicon	RED
2	BACK PART	>PBT-GF20<	BLACK
1	FRONT PART	>PBT-GF20<	COLOR LINKED TO KEYING
REF.	DESIGNATION	MATERIAL	COLOR

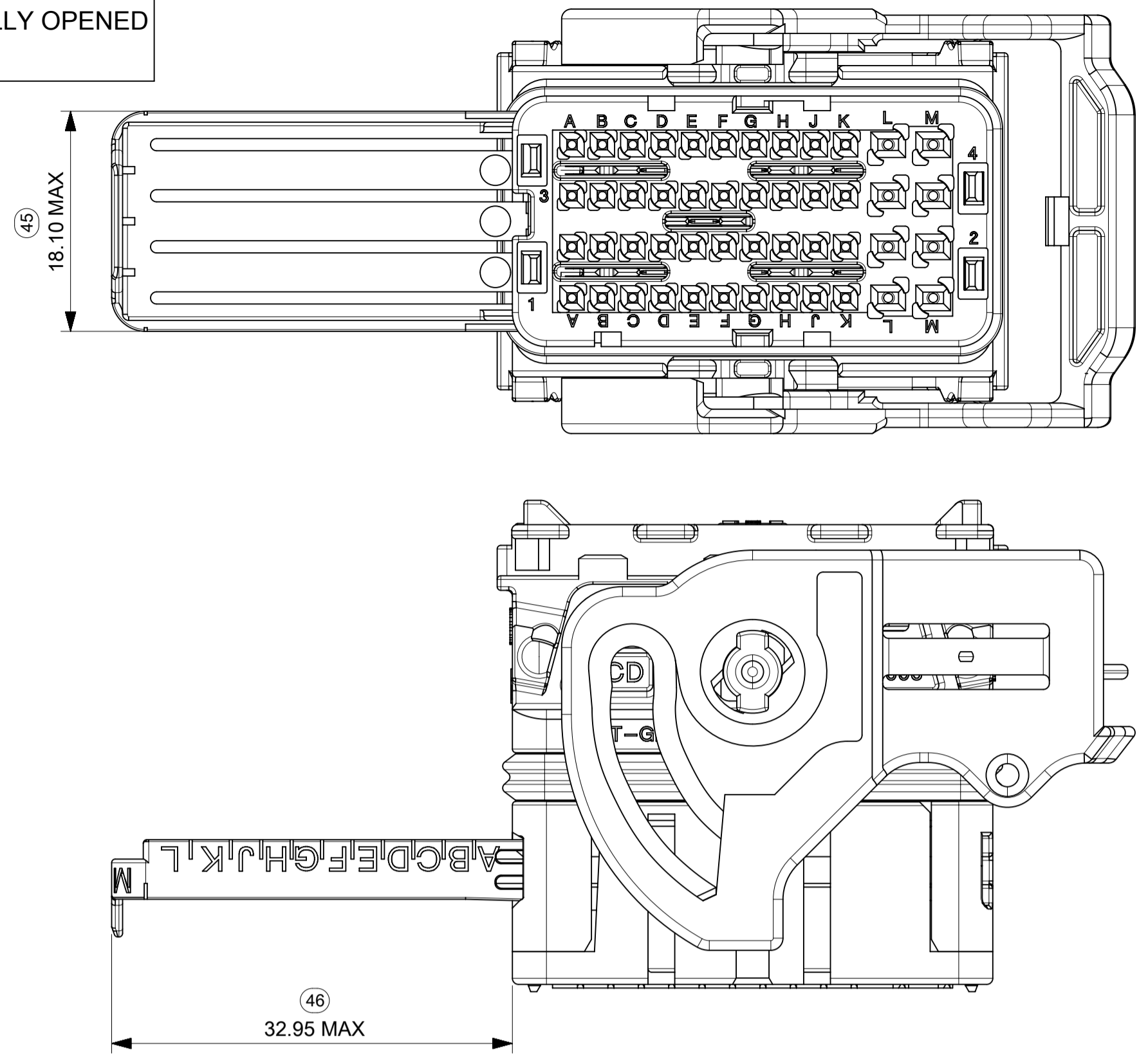
MARKINGS:

- Assembled part tracability: Year + Day
- Terminal cavities identification
- Lever position indicator: "D" LETTER VISIBLE = "RIGHT WIRE OUTPUT" "G" LETTER VISIBLE = "LEFT WIRE OUTPUT"
- Supplier identification
- Material identification

THIS DRAWING CONTAINS INFORMATION THAT IS PROPRIETARY TO MOLEX ELECTRONIC TECHNOLOGIES, LLC AND SHOULD NOT BE USED WITHOUT WRITTEN PERMISSION		CURRENT REV DESC: NX RE-MASTERING				
DIMENSION UNITS	SCALE	EC NO: 627963				
mm	2.5:1	DRWN: PBOSQUAIN 2019/09/17		CMC CONNECTOR 48 WAY MAT SEAL VERSION		
GENERAL TOLERANCES (UNLESS SPECIFIED)		CHK'D: CBOUCHAN 2020/01/22				
ANGULAR TOL	± 2.0°	APPR: SLAFAURE 2020/01/23		PRODUCT CUSTOMER DRAWING		
4 PLACES	±	INITIAL REVISION:		DOCUMENT NUMBER		
3 PLACES	±	DRWN: TBADAROUX 2008/05/07		SD-64320-001		
2 PLACES	± 0.1	APPR: cbouchan		DOC TYPE   DOC PART   REVISION		
1 PLACE	± 0.1			PSD   001   H2		
0 PLACES	±			MATERIAL NUMBER   CUSTOMER   SHEET NUMBER		
DRAFT WHERE APPLICABLE MUST REMAIN WITHIN DIMENSIONS		FIRST ANGLE PROJECTION	DRAWING	SERIES	SEE TABLE   GENERAL MARKET   1 OF 2	

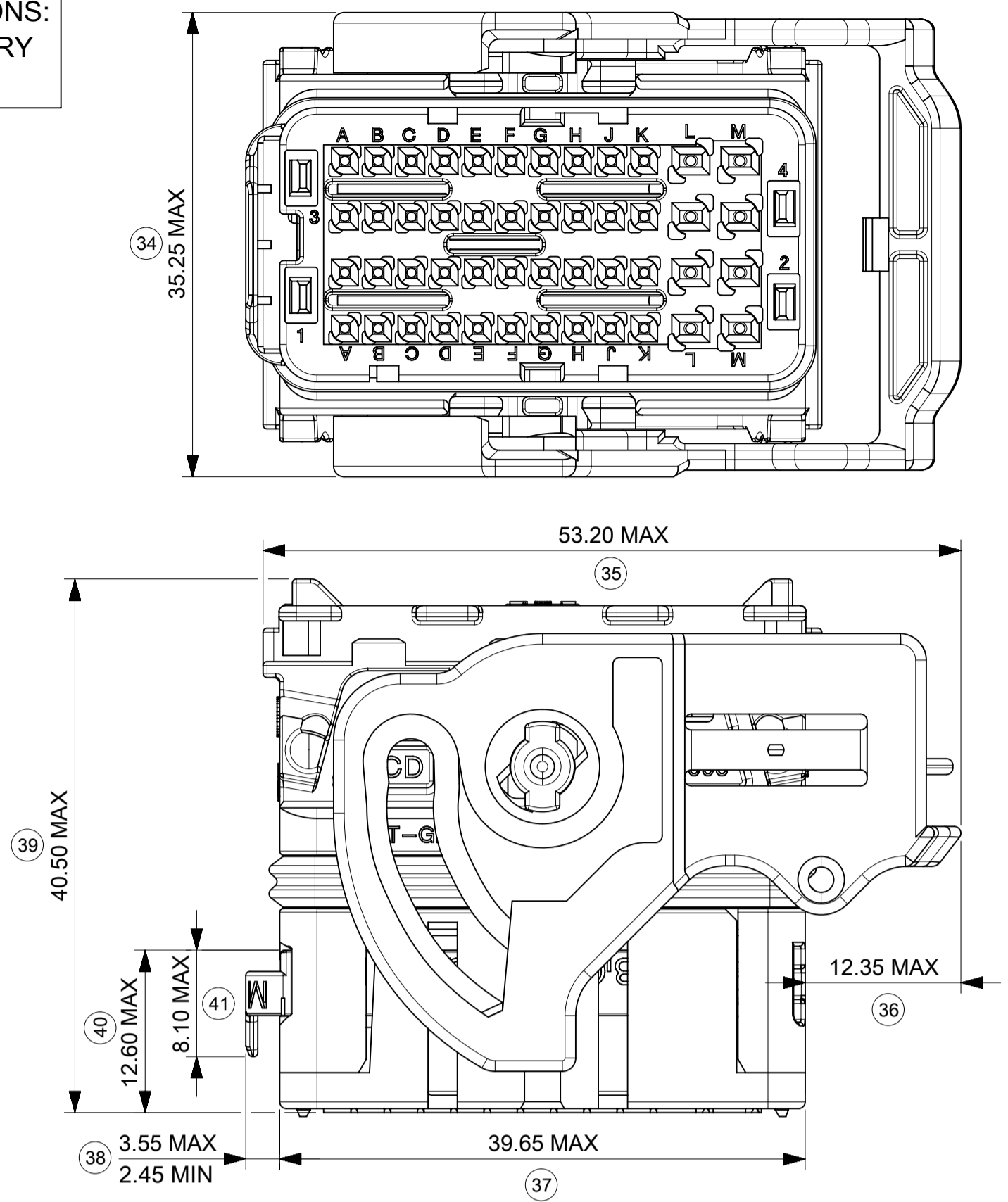
CONNECTOR OVERALL DIMENSIONS:  
SECONDARY LOCKING FULLY OPENED  
FOR TERMINAL INSERTION

RIGHT WIRE OUTPUT

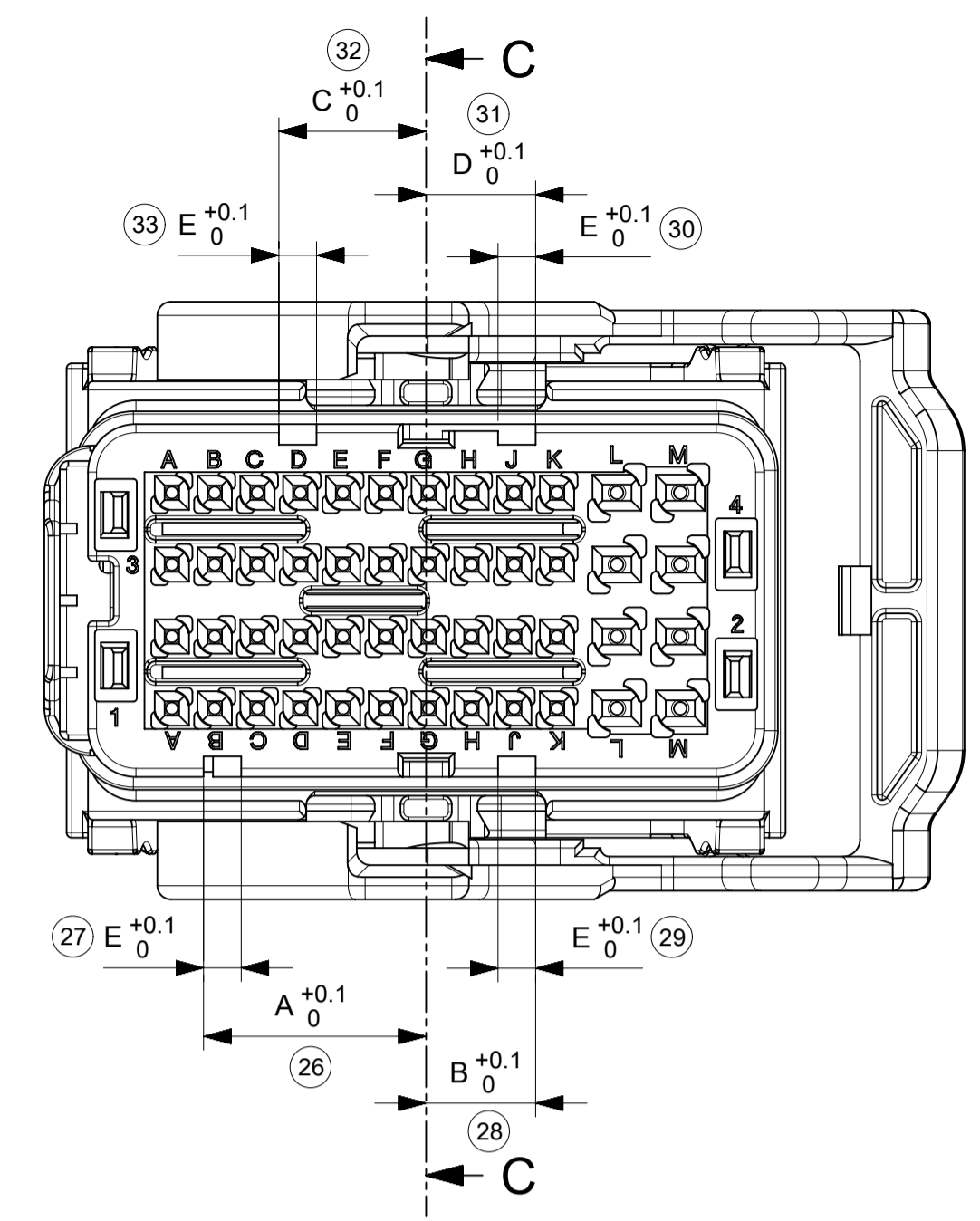


CONNECTOR OVERALL DIMENSIONS:  
SECONDARY LOCKING IN DELIVERY  
POSITION

RIGHT WIRE OUTPUT

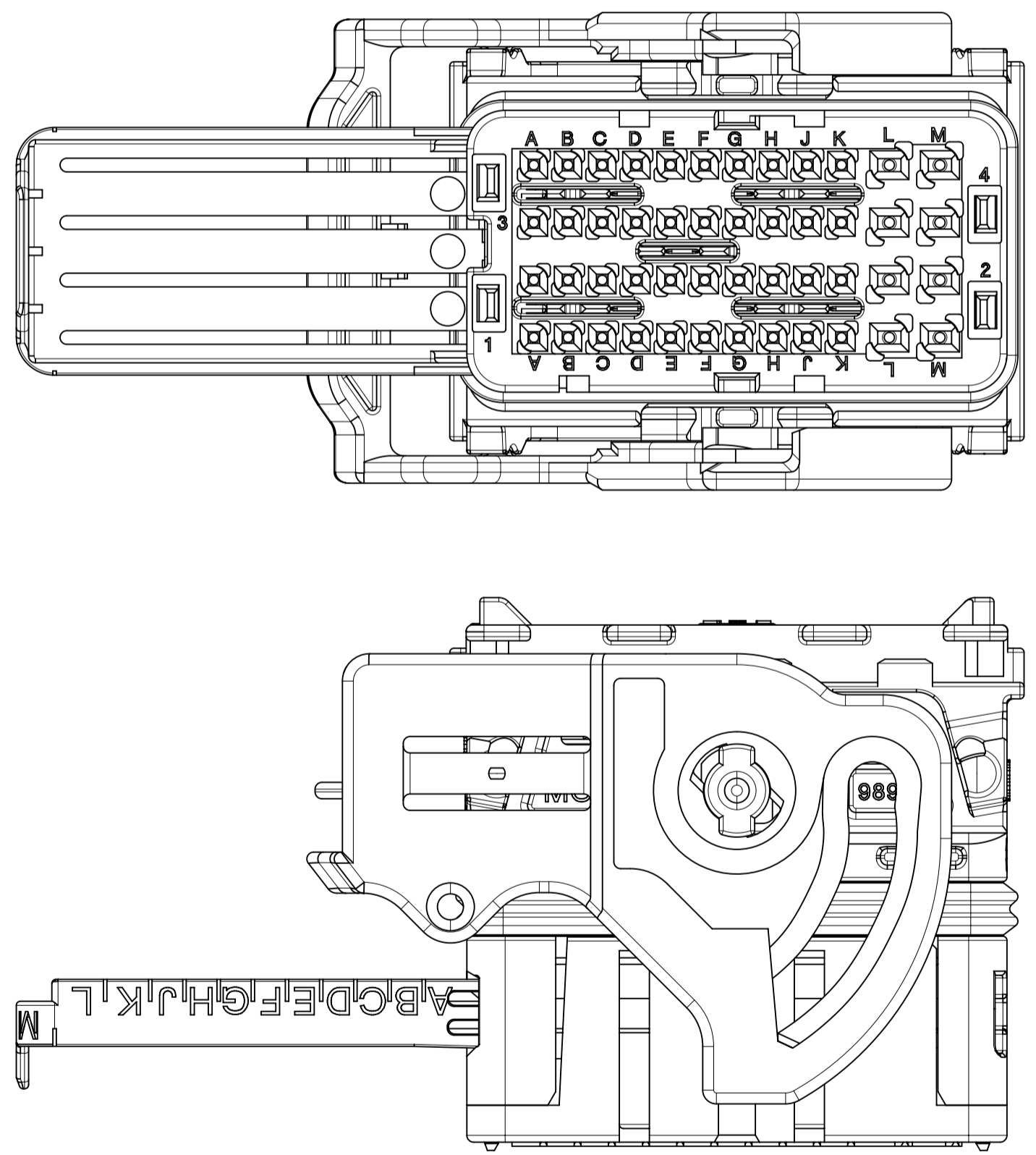


CODING POSITION



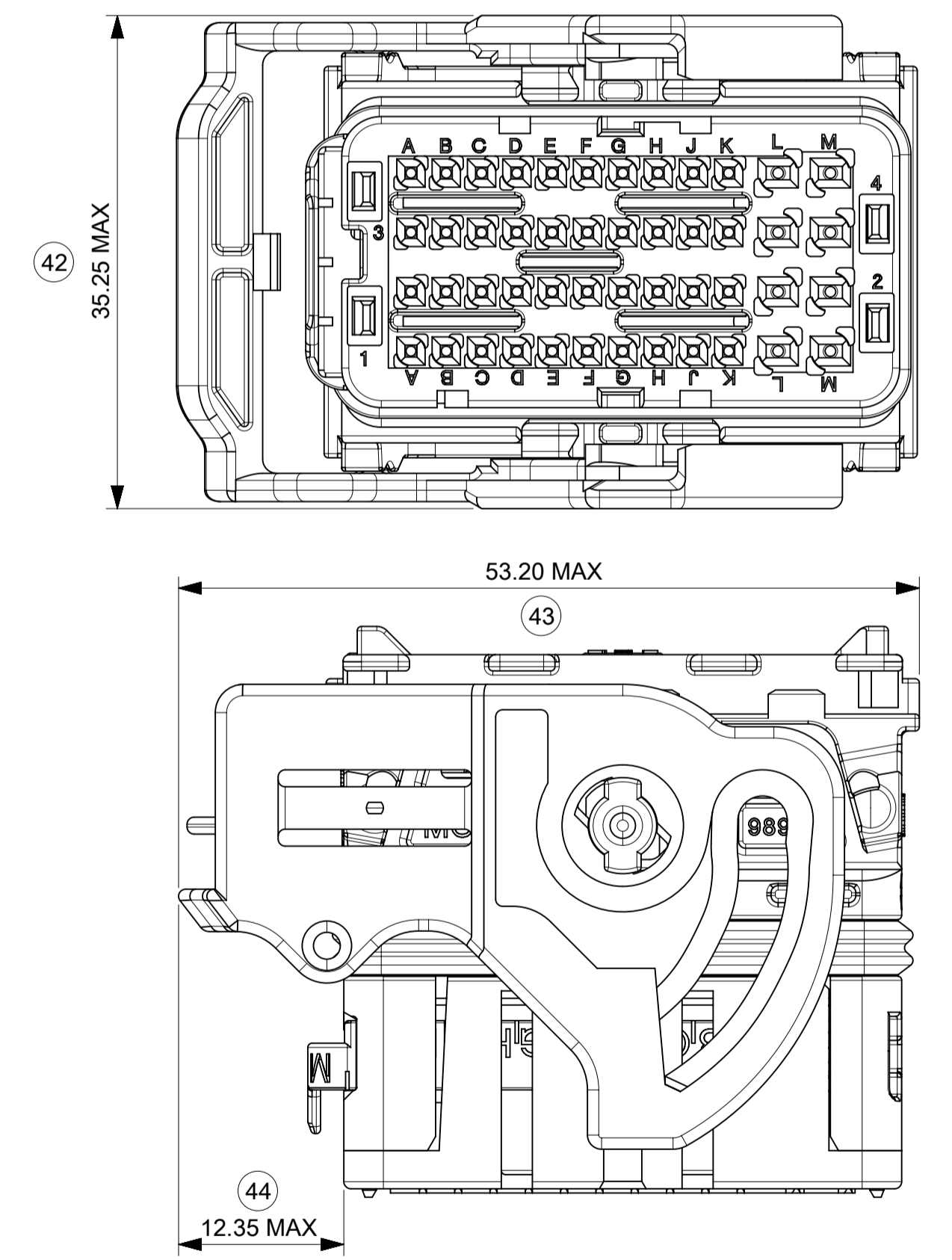
CONNECTOR OVERALL DIMENSIONS:  
SECONDARY LOCKING FULLY OPENED  
FOR TERMINAL INSERTION

LEFT WIRE OUTPUT

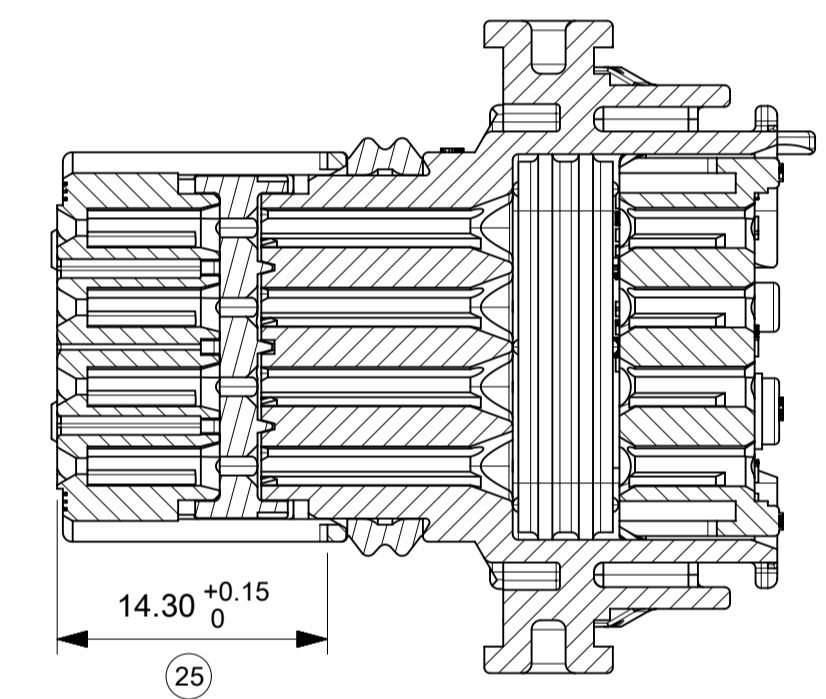


CONNECTOR OVERALL DIMENSIONS:  
SECONDARY LOCKING IN DELIVERY  
POSITION

LEFT WIRE OUTPUT



SECTION C-C  
WITHOUT LOCKING LEVER



COLOR	CODING	A	B	C	D	E
BLACK	1	13	6.4	8.6	6.4	2.2
GREY	2	10.8	8.6	13	8.6	2.2
BROWN	3	8.6	10.8	13	13	2.2
GREEN	4	10.8	13	6.4	6.4	2.2

TERMINALS USED				
CAVITY N°	FEMALE TERMINALS (Section mm2)	PLATING	MOLEX P/N	min / MAX WIRE INSULATION DIAMETER (mm)
A1 to A4 B1 to B4 C1 to C4 D1 to D4 E1 to E4 F1 to F4 G1 to G4 H1 to H4 J1 to J4 K1 to K4	CP 0.6 0.35mm2	Tin plated	0643221019	∅1.25 min / ∅1.40 Max
		Gold plated	0643221229	
	CP 0.6 0.5mm2	Tin plated	0643221039	∅1.40 min / ∅1.70 Max
		Gold plated	0643221239	
L1 to L4 M1 to M4	CP 0.6 0.75mm2	Tin plated	0643221029	∅1.60 min / ∅1.90 Max
		Gold plated	0643221219	
	CP 1.5 0.5mm2 to 1mm2	Tin plated	0643231029	∅1.40 min / ∅2.15 Max
		Gold plated	0643231319	
CP 1.5 >1mm2 to 2mm2	Tin plated	0643231039	∅2.10 min / ∅2.80 Max	
	Gold plated	0643231219		

THIS DRAWING CONTAINS INFORMATION THAT IS PROPRIETARY TO MOLEX ELECTRONIC TECHNOLOGIES, LLC AND SHOULD NOT BE USED WITHOUT WRITTEN PERMISSION

DIMENSION UNITS: mm SCALE: 2.5:1

GENERAL TOLERANCES (UNLESS SPECIFIED):  
ANGULAR TOL: ± 2.0°  
4 PLACES: ±  
3 PLACES: ±  
2 PLACES: ± 0.1  
1 PLACE: ± 0.1  
0 PLACES: ±

DRAFT WHERE APPLICABLE MUST REMAIN WITHIN DIMENSIONS

FIRST ANGLE PROJECTION

DRAWING: A1-SIZE

SERIES: 64320

CURRENT REV DESC: NX RE-MASTERING

EC NO: 627963  
DRWN: PBOSQUAIN 2019/09/17  
CHK'D: CBOUCHAN 2020/01/22  
APPR: SLAFAURE 2020/01/23

INITIAL REVISION:  
DRWN: TBADAROUX 2008/05/07  
APPR: cbouchan 2008/05/16

PRODUCT CUSTOMER DRAWING

DOCUMENT NUMBER: SD-64320-001  
DOC TYPE: PSD  
DOC PART: 001  
REVISION: H2

MATERIAL NUMBER: SEE TABLE  
CUSTOMER: GENERAL MARKET  
SHEET NUMBER: 2 OF 2





产品编号 : [643201319](#)

Product Description : .635mm, 1.50mm, CMC Receptacle, 48 Circuits, Left Wire Output, Brown Coding, Mat Sealed

系列号 : 64320

状态 : Active

Product Category : Connector Housings



---

## 文件和资源

### 图纸

[图纸 643201319\\_sd.pdf](#)

### 3D 模型和设计文件

[3D模型 643201319\\_stp.zip](#)

### 规格

[应用规格 AS-64319-002-001.pdf](#)

[应用规格 AS-64319-002-CH-001.pdf](#)

[应用规格 AS-64319-002-FR-001.pdf](#)

[应用规格 AS-64319-002-SP-001.pdf](#)

[应用规格 AS-98420-002-001.pdf](#)

[应用规格 AS-98420-002-CH-001.pdf](#)

[应用规格 AS-98420-002-FR-001.pdf](#)

[应用规格 AS-98420-002-SP-001.pdf](#)

[包装规格 PK-64320-001-001.pdf](#)

---

## 产物环境合规

### 合规

GADSL/IMDS	Duty-To-Declare
China RoHS	
EU ELV	Compliant per 2000/53/EC
Low-Halogen Status	Low-Halogen per IEC 61249-2-21
REACH SVHC	Not Contained per D(2023)3788-DC (14 Jun 2023)
EU RoHS	Compliant per EU 2015/863

### [多部分产品合规性声明](#)

- Eu RoHS

- REACH SVHC

- Low-Halogen

多部分行业合规性文件

- IPC 1752A Class C

- IPC 1752A Class D

- Molex Product Compliance Declaration

- IEC-62474

- chemSHERPA (xml)

欧盟 RoHS 合格证书

---

## 产品详情

### 常规

状态	活动
类别	Connector Housings
系列	64320
说明	.635mm, 1.50mm, CMC Receptacle, 48 Circuits, Left Wire Output, Brown Coding, Mat Sealed
应用	Automotive, Power, Wire-to-Board
个评论	Current tested on a 5 terminals loaded connector, current for temperature increase of 40° C; Current max = 6.0A for 0.635mm Terminal (0.75mm <sup>2</sup> wire) and 12.0A for 1.50mm Terminal (2.00mm <sup>2</sup> wire)
更详细的技术信息	Sealed, high-density, modular connecting system for Power Train and Body Electronics applications in cars, trucks, busses
产品系列	CMC and CMX Sealed, Hybrid, Modular Connectors
产品名称	CMC
UPC	883906129811

### 电气

每触点最大电流	12.0A, 2.5A
---------	-------------

### 物理

电路详图	8 x 1.5mm & 40 x 0.635mm terminals
------	------------------------------------

电路数 (最多)	48
颜色-树脂	棕色
性别	Receptacle
符合灼热丝规范	否
插接极性	是
锁定插接部位	是
材料 - 树脂	Polyester
净重	35.771/g
行数	4
包装形式	Carton
面板安装式	否
间距 - 插配接口	2.54mm, 3.70mm
有极性的插配件	是
可堆叠的	否
运行温度范围	-40° to +125° C

#### 进程

无铅	不适用
----	-----

---

#### 可配插/可连接使用的产品

##### 可配插部件

描述	产品编号
2.50mm, 3.50mm, 3.70mm CMC Header, Right-Angle, 80 Circuits	<u>5022250801</u>
CMC Right-Angle Headers	<u>36638</u>

##### 可连接使用部件

描述	产品编号
CMC Wire Cap for 48 Circuits and 28 Circuits, CMC Receptacle Mat Sealed	<u><a href="/content/molex/molex-dot-com/cn/zh/products/product-page.html/643201301.html">/content/molex/molex-dot-com/cn/zh/products/product-page.html/643201301.html</a></u>
CMC 0.635mm Blind Cavity Plug	<u><a href="/content/molex/molex-dot-com/cn/zh/products/product-page.html/643251010.html">/content/molex/molex-dot-com/cn/zh/products/product-page.html/643251010.html</a></u>

CMC 1.50mm Blind Cavity Plug	<a href="/content/molex/molex-dot-com/cn/zh/products/product-page.html/643251023.html">/content/molex/molex-dot-com/cn/zh/products/product-page.html/643251023.html</a>
CMC CP Female Terminals	<u>64322</u>
1.50mm CMC CP Female Terminals	<u>64323</u>

---

## 施工工具

### 全局

描述	产品编号
Continuity Test Pen Assembly	<u>0638121100</u>
Unlocking Tool for CMC and CMX Receptacle Connector	<u>0638241200</u>