



产品编号 : 643221019

Product Description : 0.635mm CMC CP
Female Terminal, Tin Plated, for Square
0.6mm x 0.6mm Pins, Wire Size 0.22-0.44mm²

系列号 : 64322

状态 : Active

Product Category : Crimp Terminals

文件和资源

图纸

图纸 643221019_sd.pdf

包装设计图 313025040-000.pdf

3D 模型和设计文件

3D模型 643221019_stp.zip

规格

应用规格 AS-64318-002-001.pdf

应用规格 AS-64318-002-CH-001.pdf

应用规格 AS-64318-002-SP-001.pdf

应用规格 AS-64319-002-001.pdf

应用规格 AS-64319-002-CH-001.pdf

应用规格 AS-64319-002-FR-001.pdf

应用规格 AS-64319-002-SP-001.pdf

应用规格 AS-64322-001-001.pdf

应用规格 AS-64322-001-CH-001.pdf

应用规格 AS-98420-001-001.pdf

应用规格 AS-98420-001-CH-001.pdf

应用规格 AS-98420-002-001.pdf

应用规格 AS-98420-002-CH-001.pdf

应用规格 AS-98420-002-FR-001.pdf

应用规格 AS-98420-002-SP-001.pdf

应用规格 AS-98420-001-SP-001.pdf

应用规格 AS-64318-002-FR-001.pdf

应用规格 AS-64322-001-FR-001.pdf

应用规格 AS-98420-001-FR-001.pdf

包装规格 PK-98913-001-001.pdf


产品规格 PS-64319-002-001.pdf

模具规格

压接规格 CS-64322-001-001.pdf

产物环境合规

合规

GADSL/IMDS	Compliant with Exemption 44; 33
China RoHS	
EU ELV	Compliant per 2000/53/EC
Low-Halogen Status	Low-Halogen per IEC 61249-2-21
REACH SVHC	Not Contained per D(2023)8585-DC (23 Jan 2024)
EU RoHS	Compliant per EU 2015/863

多部分产品合规性声明

- Eu RoHS
- REACH SVHC
- Low-Halogen

- IPC 1752A Class C
- IPC 1752A Class D
- Molex Product Compliance Declaration
- IEC-62474
- chemSHERPA (xml)

欧盟 RoHS 合格证书

产品详情

常规

状态	活动
类别	Crimp Terminals
系列	64322
说明	0.635mm CMC CP Female Terminal, Tin Plated, for Square 0.6mm x 0.6mm Pins, Wire Size 0.22-0.44mm ²
应用	Automotive, Signal, Wire-to-Board
个评论	Current tested on a 5 terminals loaded connector, current for temperature increase of 40° C; Current max = 6A for 0.635mm Terminal (0.75mm ² wire)
产品系列	CMC and CMX Sealed, Hybrid, Modular Connectors
产品名称	CMC, CP Terminal
UPC	883906129460

电气

每触点最大电流	6.0A
电压 - 最大	14V DC

物理

性别	女
材料 - 金属	Phosphor Bronze
材料 - 接合部位电镀	Tin
材料 - 终端电镀	Tin
净重	0.160/g
包装形式	Reel
最薄镀层 - 接合部位	2.000µm
终端界面类型	Crimp or Compression
导线绝缘直径	1.15-1.40mm
线径规格 (AWG)	不适用
线缆尺寸mm ²	0.22-0.44

进程

无铅	不适用
----	-----

可连接使用部件

描述	产品编号
Power CMC Receptacles	<u>64318</u>
CMC Receptacles and Wire Caps	<u>64319</u>
CMC Receptacles and Wire Caps	<u>64320</u>
CMC Receptacles and Wire Caps	<u>64321</u>

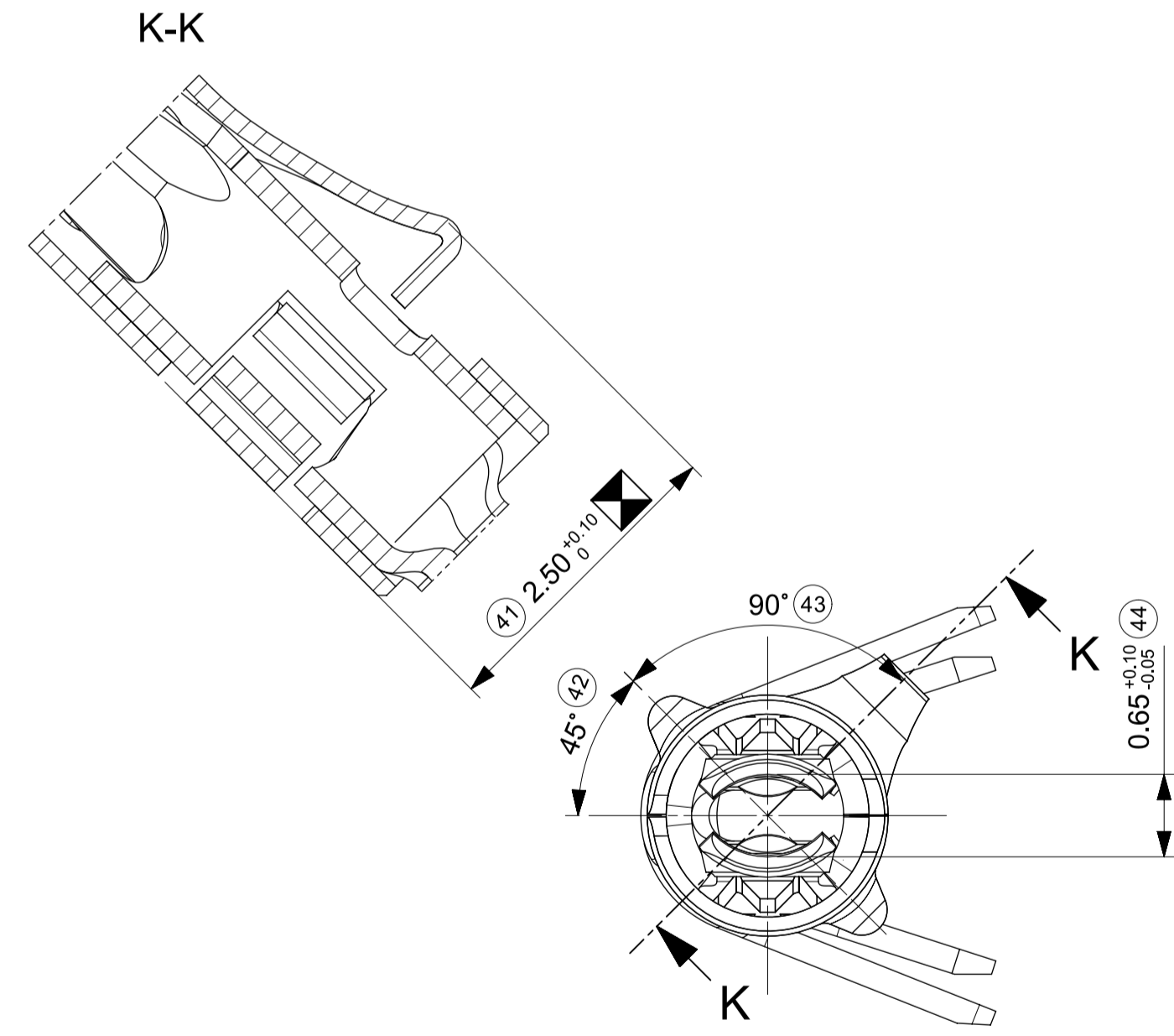
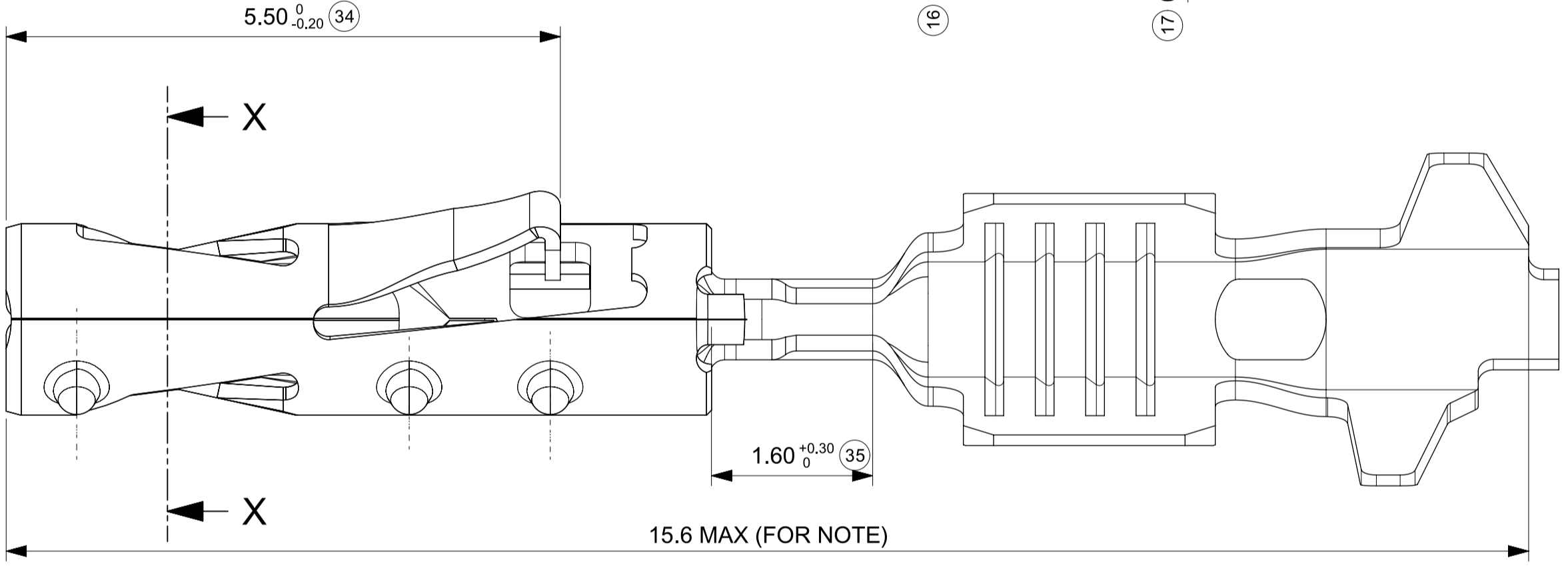
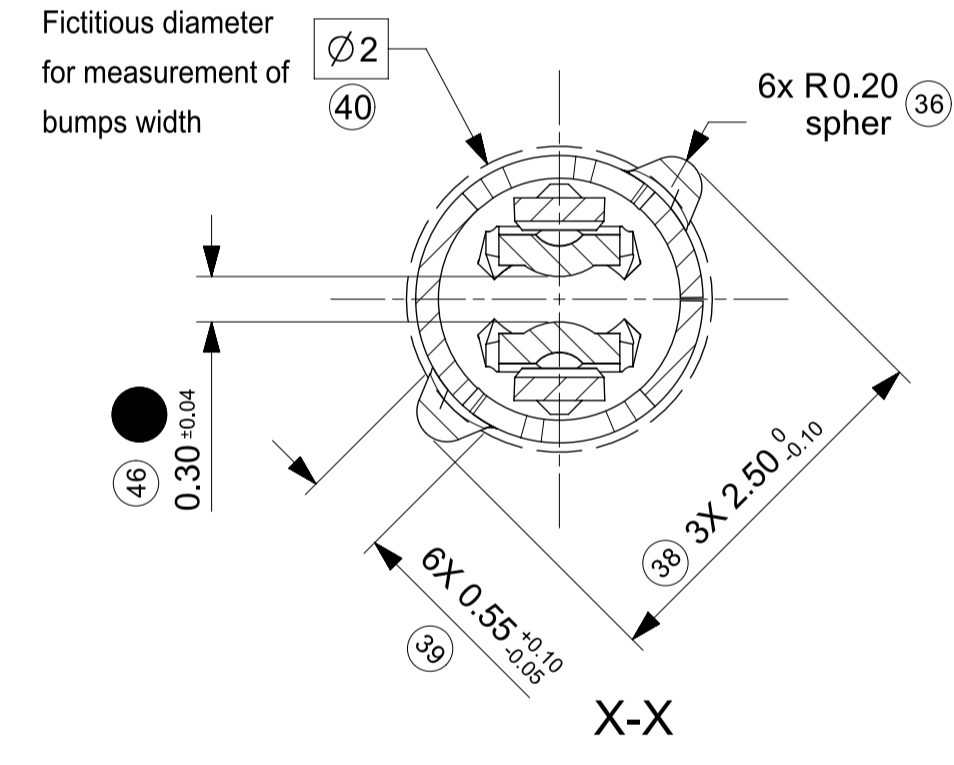
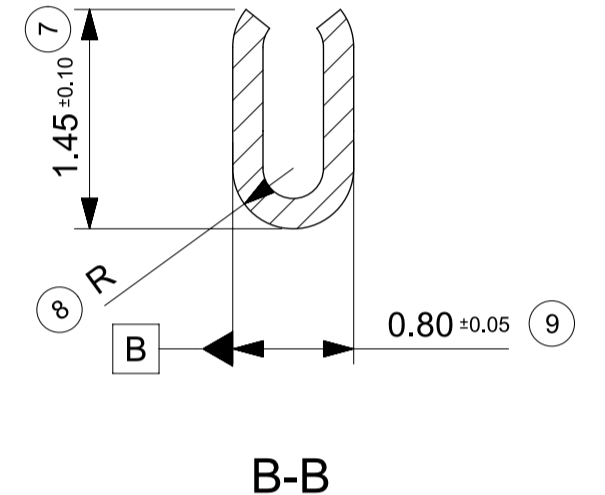
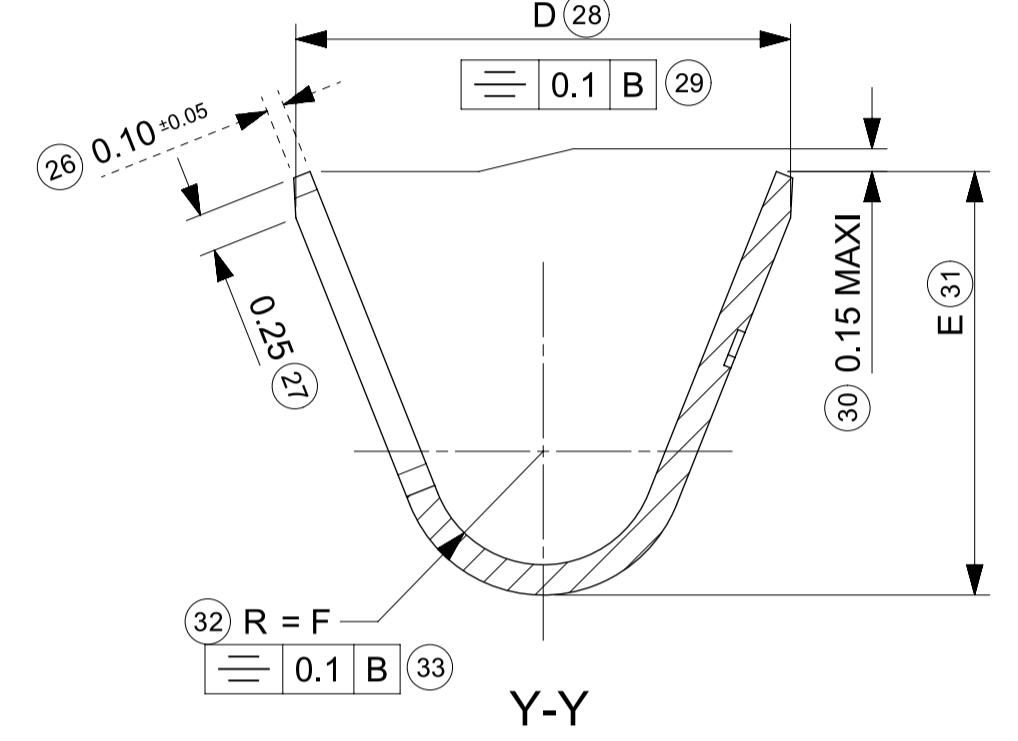
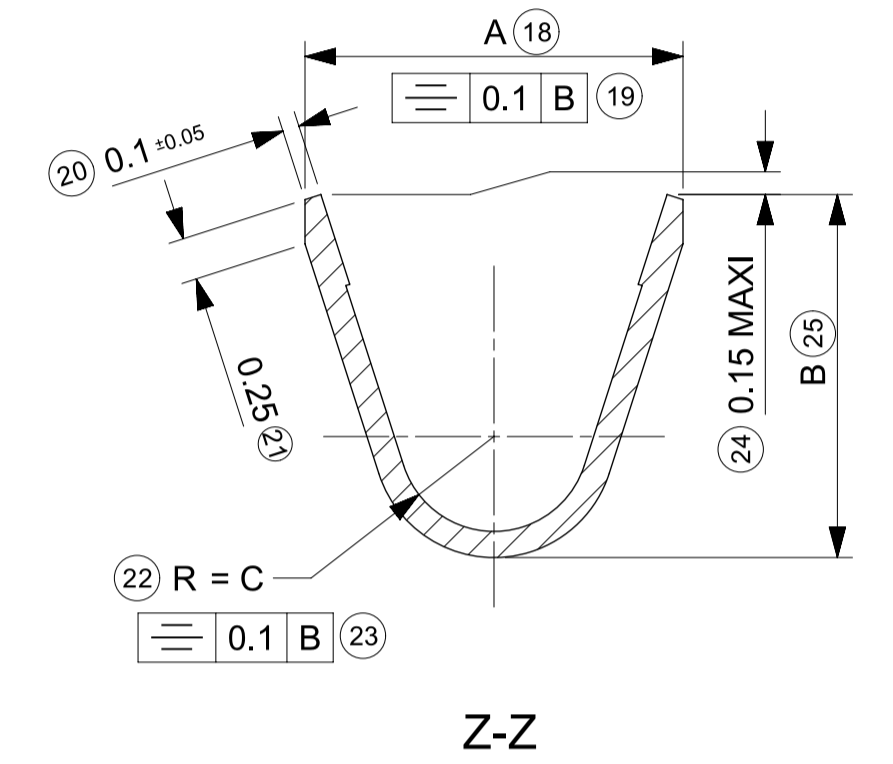
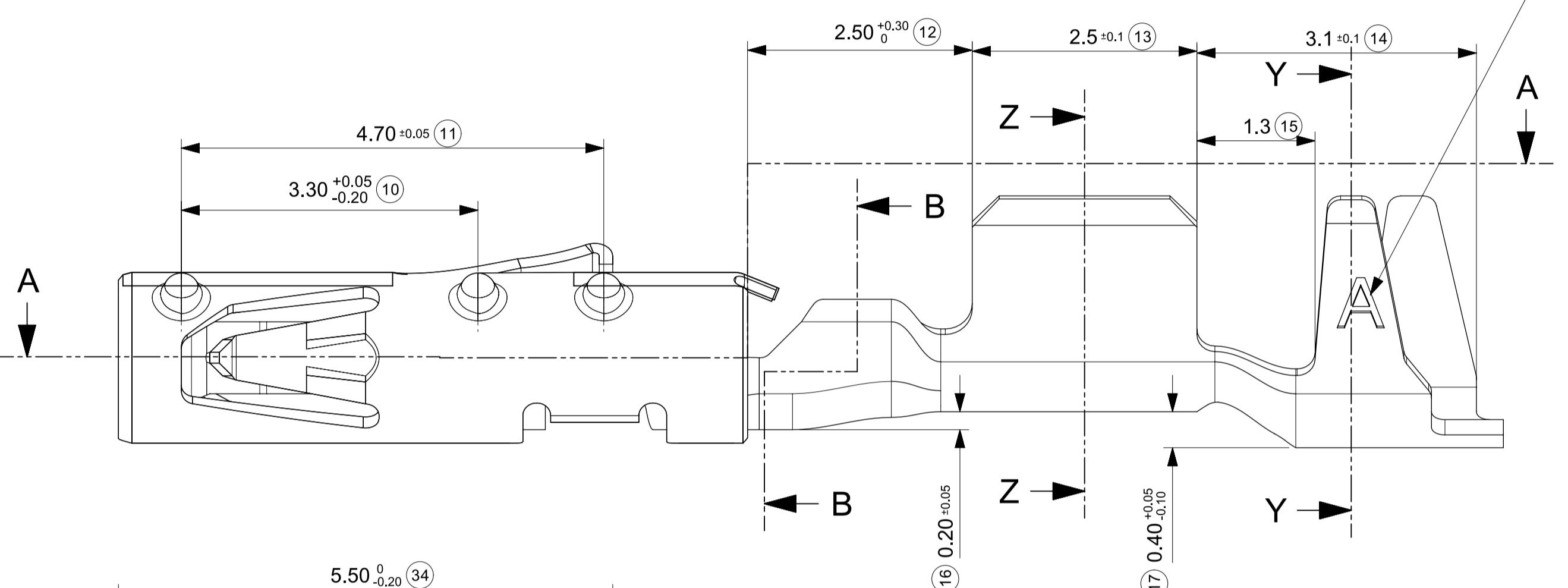
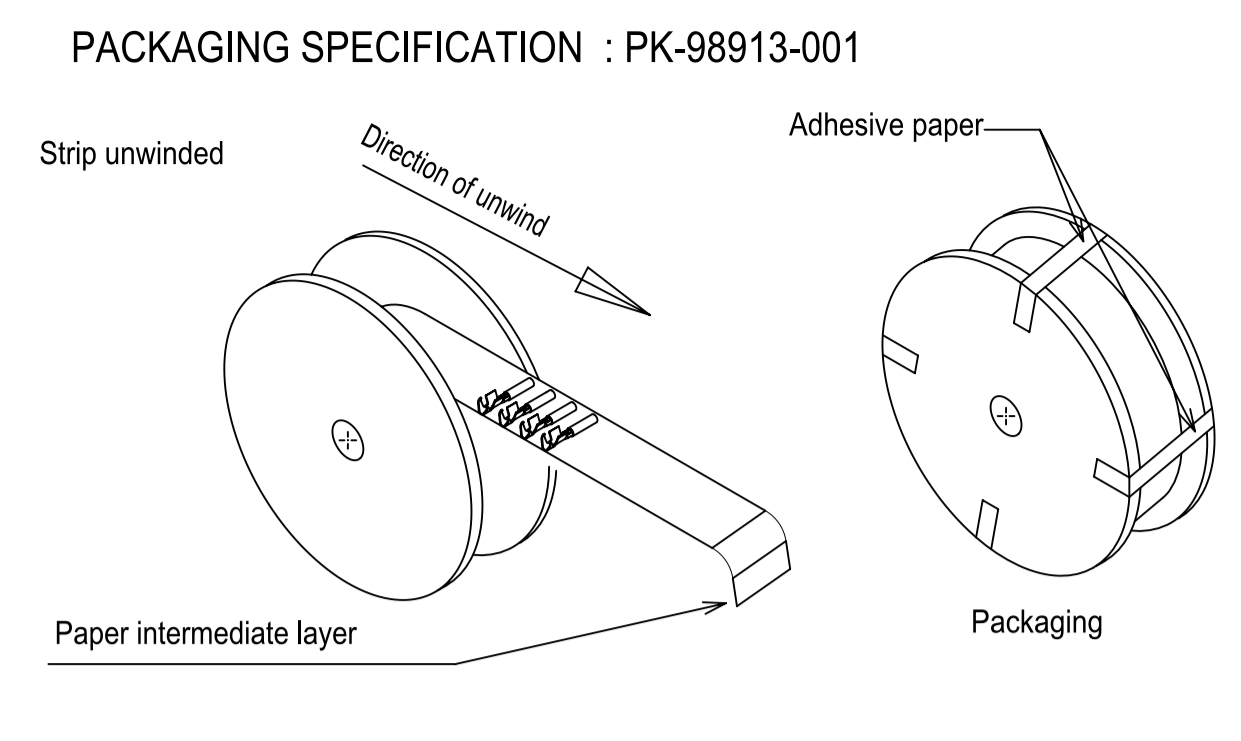
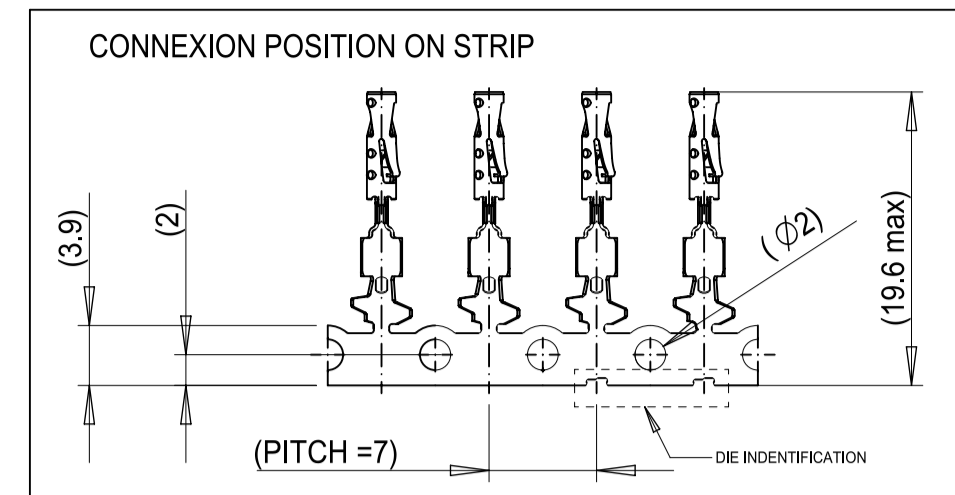
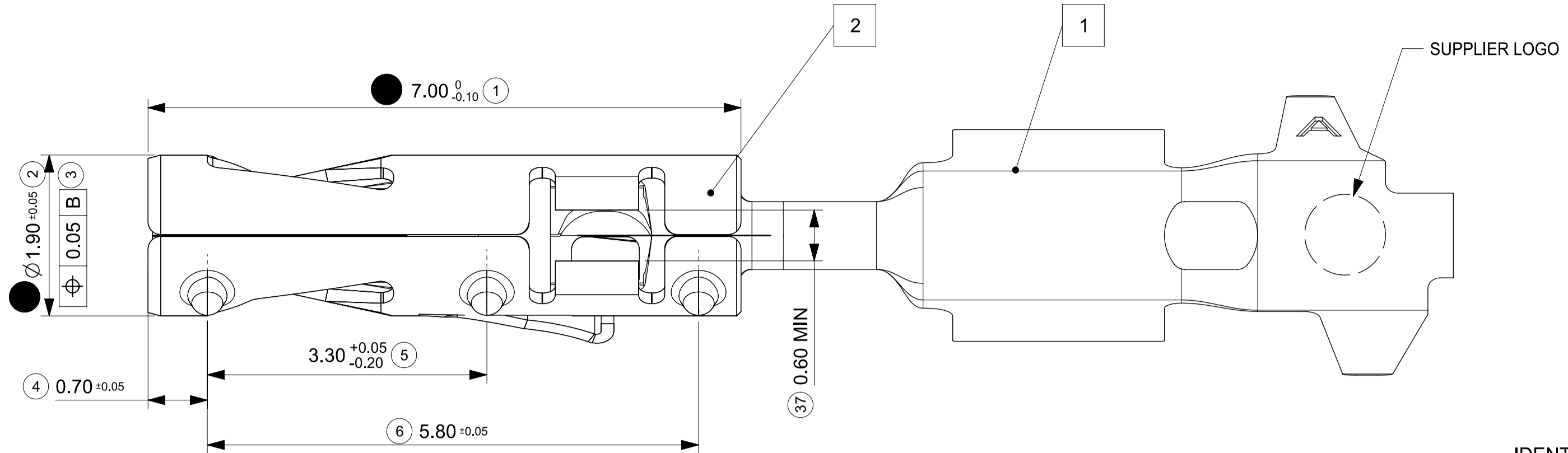
施工工具

全局

描述	产品编号
PremiumGrade Hand Crimp Tool for CP 0.635mm Female Terminals for CMC Connector, 0.22-0.35mm ² Wire	<u>638119100</u>

Extraction Tool for 0.635mm CP Crimp Terminals for CMC Connector	<u>638132400</u>
FineAdjust Applicator for 0.635mm CP Terminals, for 0.22mm ² , 0.35mm ² , 0.50mm ² Metric Wires	<u>639021900</u>

This document was generated on Jun 30, 2024



NOTE :
 - MARKING "A" is used to identify "STANDARD" terminal
 - CRIMPING SPECIFICATION ACCORDING TO AS-64322-001

MARK	DESIGNATION	MATERIAL
2	BOX TERMINAL	STAINLESS STEEL thickness=0.15 mm
1	BODY TERMINAL	high conductivity copper alloy thickness=0.2 mm

PART NUMBER	CONTACT AREA	CRIMPING AREA	UNDERLAYER	CRIMPING RANGE (mm2)	A±0.2	B±0.2	rC +0.15/-0.1	D±0.2	E±0.2	rF±0.1	WEIGHT (g)
0643221029	Sn	Sn	Ni	0.75	2.5	2.4	0.6	3.3	2.8	0.75	0.119
0643221219	Au 1.27µ MINI	Sn	Ni	0.50	2.3	2.2	0.6	3.1	2.6	0.75	0.117
0643221039	Sn	Sn	Ni	0.50	2.3	2.2	0.6	3.1	2.6	0.75	0.117
0643221239	Au 1.27µ MINI	Sn	Ni	0.22 to 0.44	2.0	1.7	0.6	3.1	2.6	0.75	0.112
0643221019	Sn	Sn	Ni	0.22 to 0.44	2.0	1.7	0.6	3.1	2.6	0.75	0.112
0643221229	Au 1.27µ MINI	Sn	Ni	0.22 to 0.44	2.0	1.7	0.6	3.1	2.6	0.75	0.112

(SKC) COTES CARACTERISTIQUES SPECIALES
 SPECIAL KEY CHARACTERISTICS
 ■ INDICATION DIMENSIONS S.P.C
 DENOTES S.P.C DIMENSIONS
 ● INDICATION DIMENSIONS CRITIQUES
 DENOTES CRITICAL DIMENSIONS
 ● INDICATION DIMENSIONS FONCTIONNELLES
 DENOTES FUNCTIONAL DIMENSIONS
 QUANTITE PAR FEUILLE INDIVIDUELLE
 QUANTITY PER INDIVIDUAL SHEET
 ■ 1 ● 0 ● 4 (SKC) 0

THIS DRAWING CONTAINS INFORMATION THAT IS PROPRIETARY TO MOLEX ELECTRONIC TECHNOLOGIES, LLC AND SHOULD NOT BE USED WITHOUT WRITTEN PERMISSION

FUNCTIONAL SYMBOLS
 FA = 0
 FC = 0
 FP = 0

DIMENSION UNITS: mm
 SCALE: 20:1

GENERAL TOLERANCES (UNLESS SPECIFIED)
 ANGULAR TOL ± 2°
 4 PLACES ± 0.10000
 3 PLACES ± 0.1000
 2 PLACES ± 0.100
 1 PLACE ± 0.10
 0 PLACES ± 0.10

CURRENT REV DESC: Dim 5 and Dim 10 tolerance update

STATUS: Production
 DRWN: Nitin Venkatesh Shet
 CHK'D: Nitin Venkatesh Shet
 APPR: ChandrashekarS

2024-01-25 DOCUMENT NUMBER
 2024-01-30 SD-64322-001
 2024-01-30 PSD 000 E2

DRAFT WHERE APPLICABLE MUST REMAIN WITHIN DIMENSIONS

FIRST ANGLE PROJECTION

DRAWING: A1-SIZE
 SERIES: 64322

MATERIAL NUMBER: GENERAL MARKET
 CUSTOMER: GENERAL MARKET
 SHEET NUMBER: 1 OF 1

PRODUCT SALES DRAWING

CP RCPT TRM 0.6